



US00D325899S

United States Patent [19]
Krokaugger

[11] **Patent Number: Des. 325,899**
[45] **Date of Patent: ** May 5, 1992**

[54] **ELECTRICAL CONNECTOR LUG**

[75] **Inventor: William G. Krokaugger, Chatsworth, Calif.**

[73] **Assignee: Mole Richardson Co., Hollywood, Calif.**

[**] **Term: 14 Years**

[21] **Appl. No.: 549,701**

[22] **Filed: Jul. 9, 1990**

[52] **U.S. Cl. D13/148**

[58] **Field of Search D13/120, 148, 149; 439/411, 412, 791, 798, 801, 809, 810, 812, 814**

[56] **References Cited**

U.S. PATENT DOCUMENTS

2,698,424 12/1954 Allen D13/120 X
4,946,405 8/1990 Boehm D13/149

OTHER PUBLICATIONS

Lay-in Ground Bushing Lug on p. 15 of Ilisco Pocket Guide, 1989.

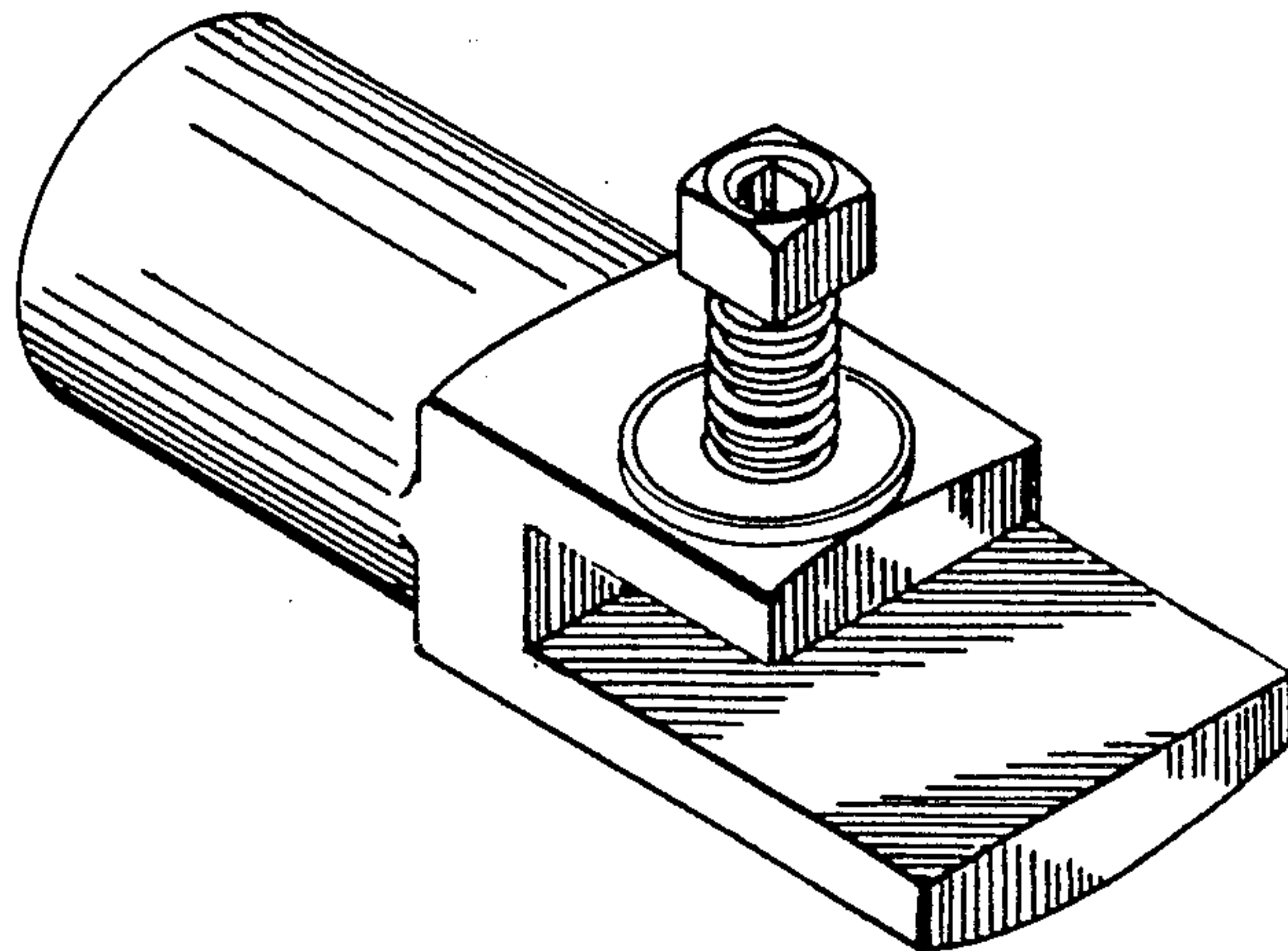
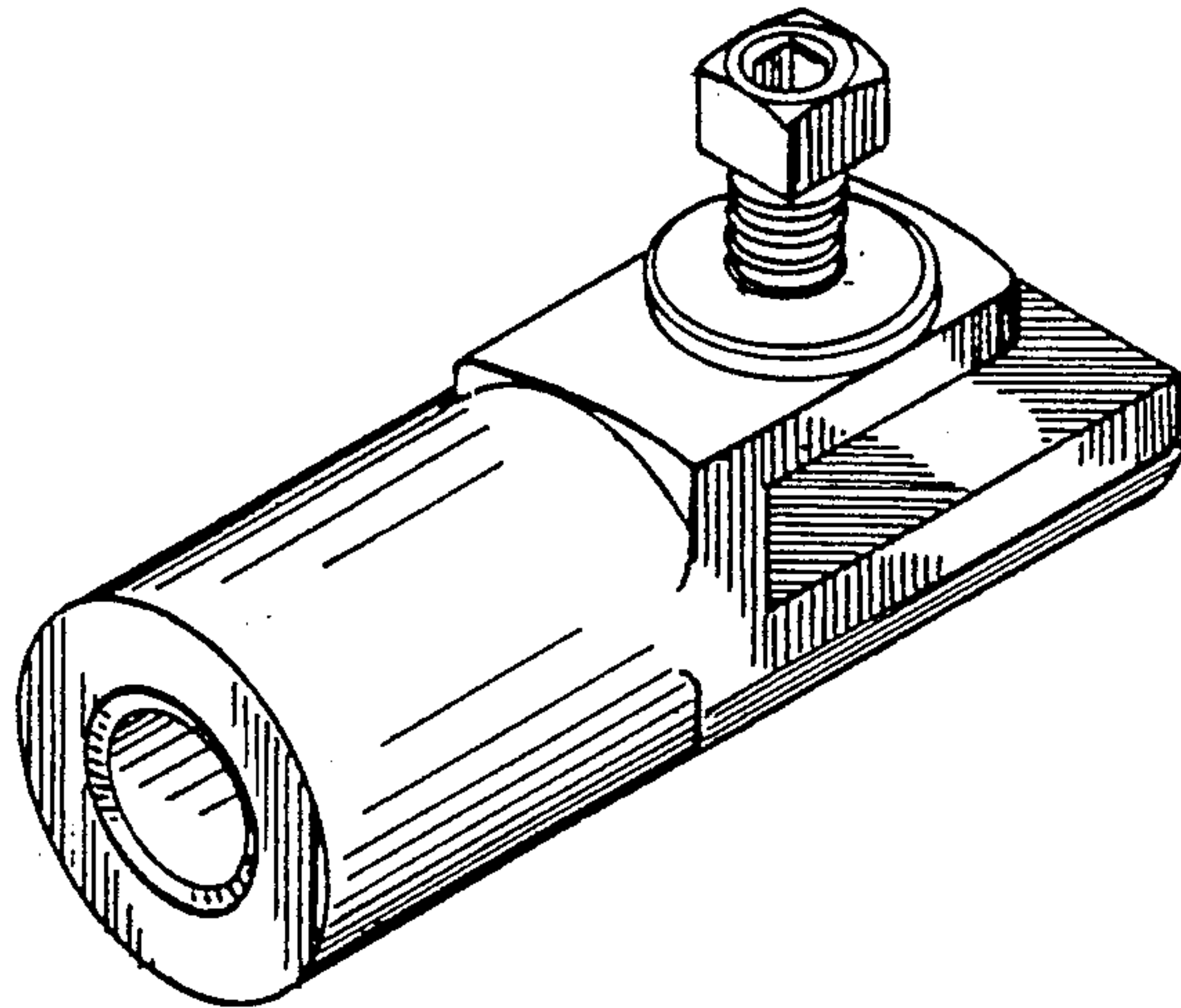
Primary Examiner—Susan J. Lucas
Assistant Examiner—J. Sincavage
Attorney, Agent, or Firm—Edward A. Sokolski

[57] **CLAIM**

The ornamental design for an electrical connector lug, as shown and described.

DESCRIPTION

FIG. 1 is a top plan view showing my new design for an electrical connector lug;
FIG. 2 is a left hand side elevational view thereof;
FIG. 3 is a rear elevational view thereof rotated 90 degrees to the left.
FIG. 4 is a front elevational view thereof;
FIG. 5 is a right hand side elevational view thereof;
FIG. 6 is a bottom plan view thereof;
FIG. 7 is a front top left hand perspective view thereof; and,
FIG. 8 is a rear top left hand perspective view thereof.



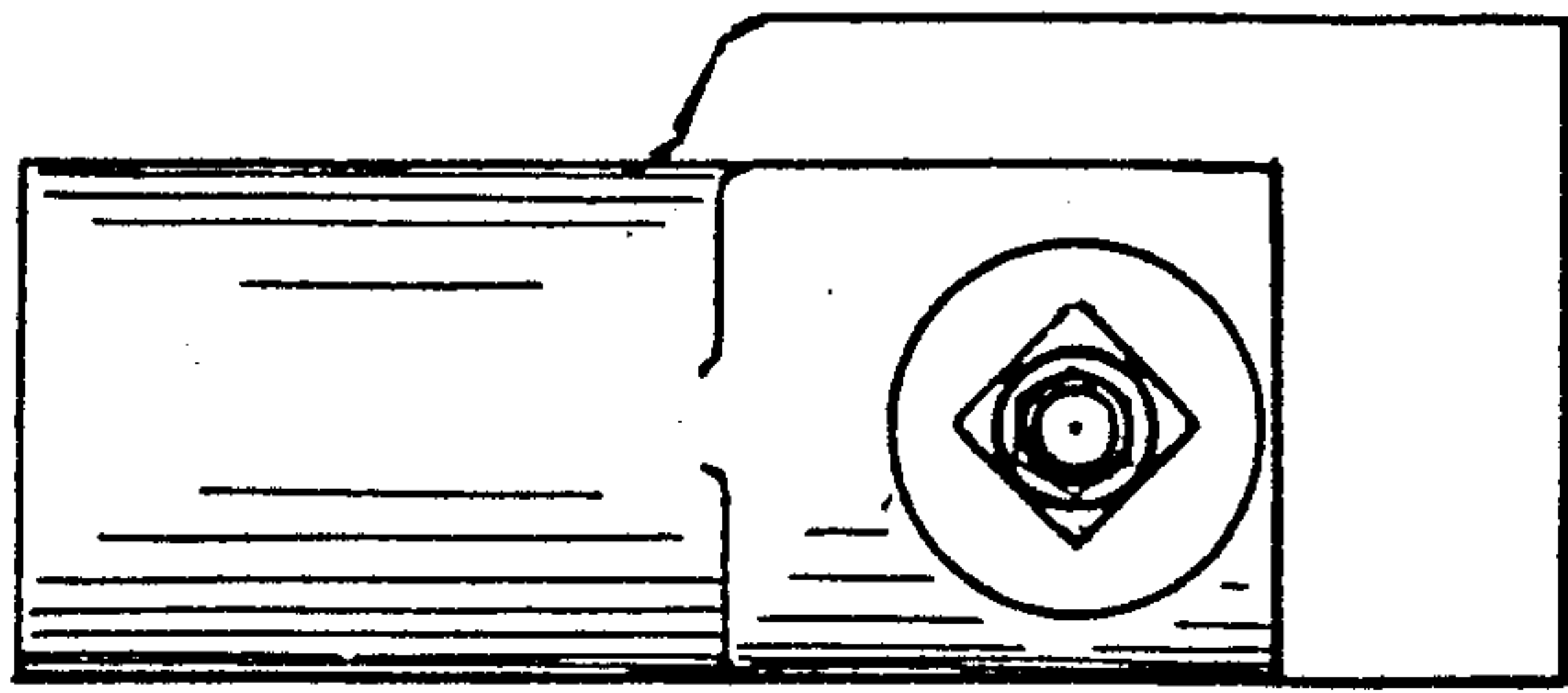


FIG. 1

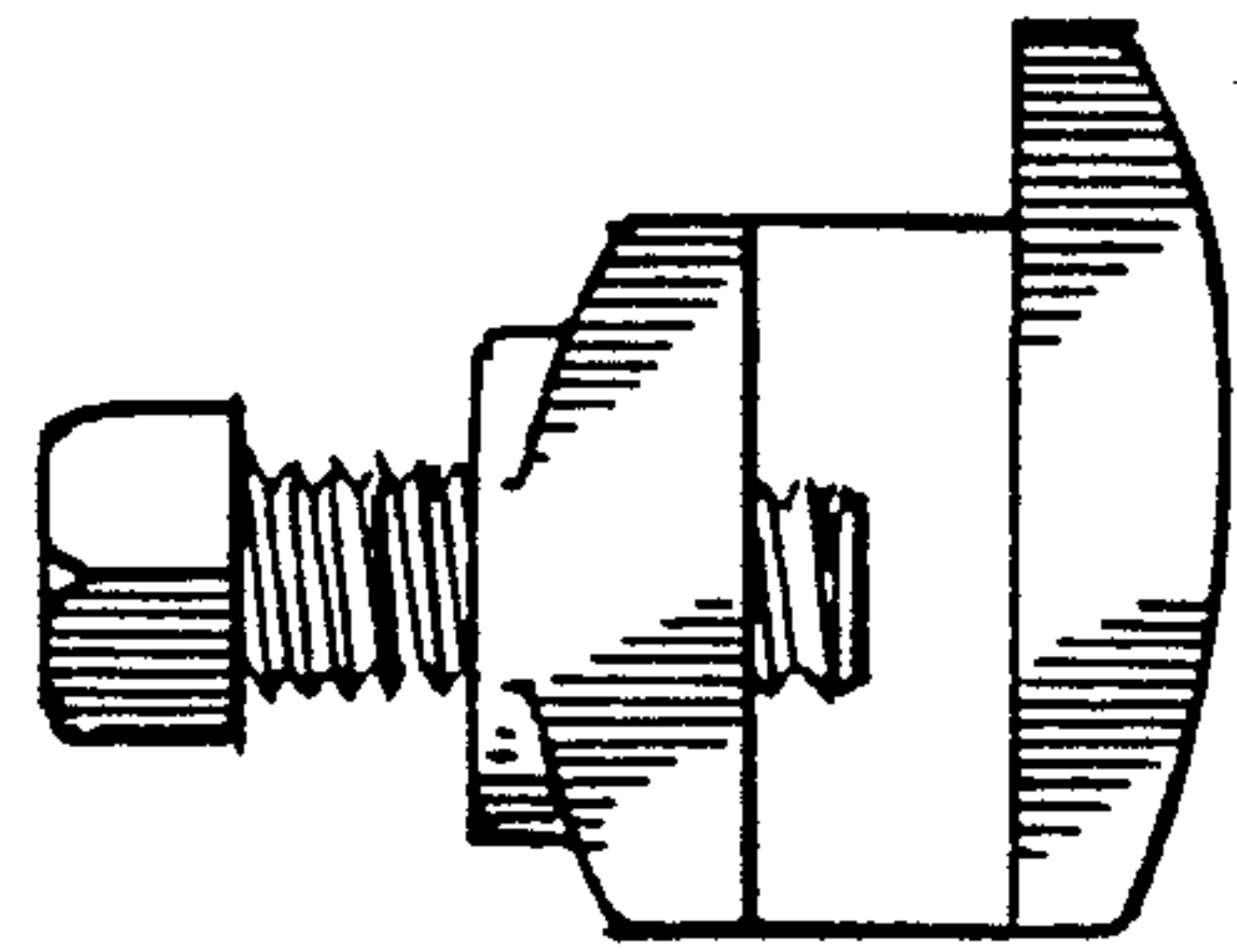


FIG. 3

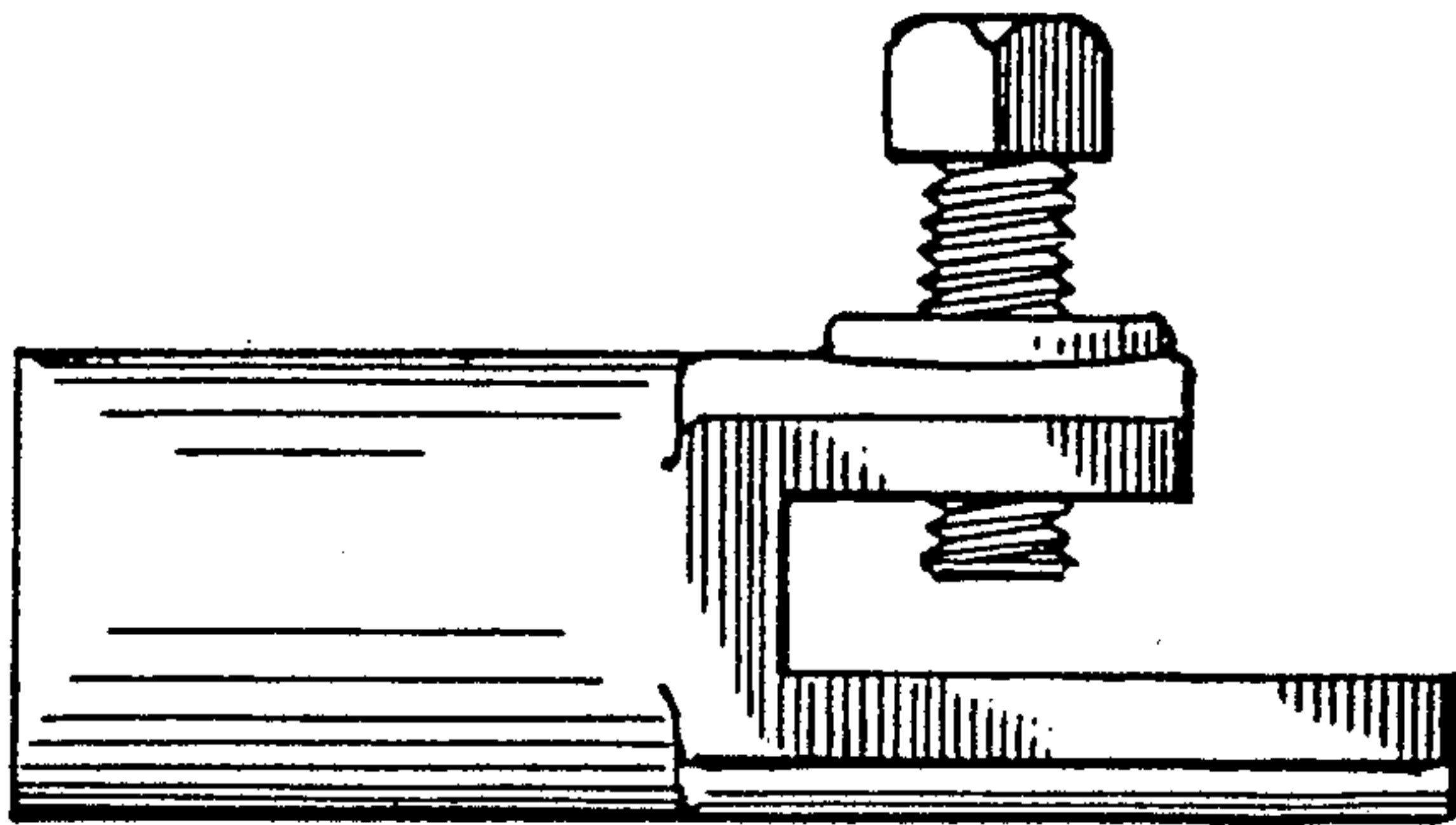


FIG. 2

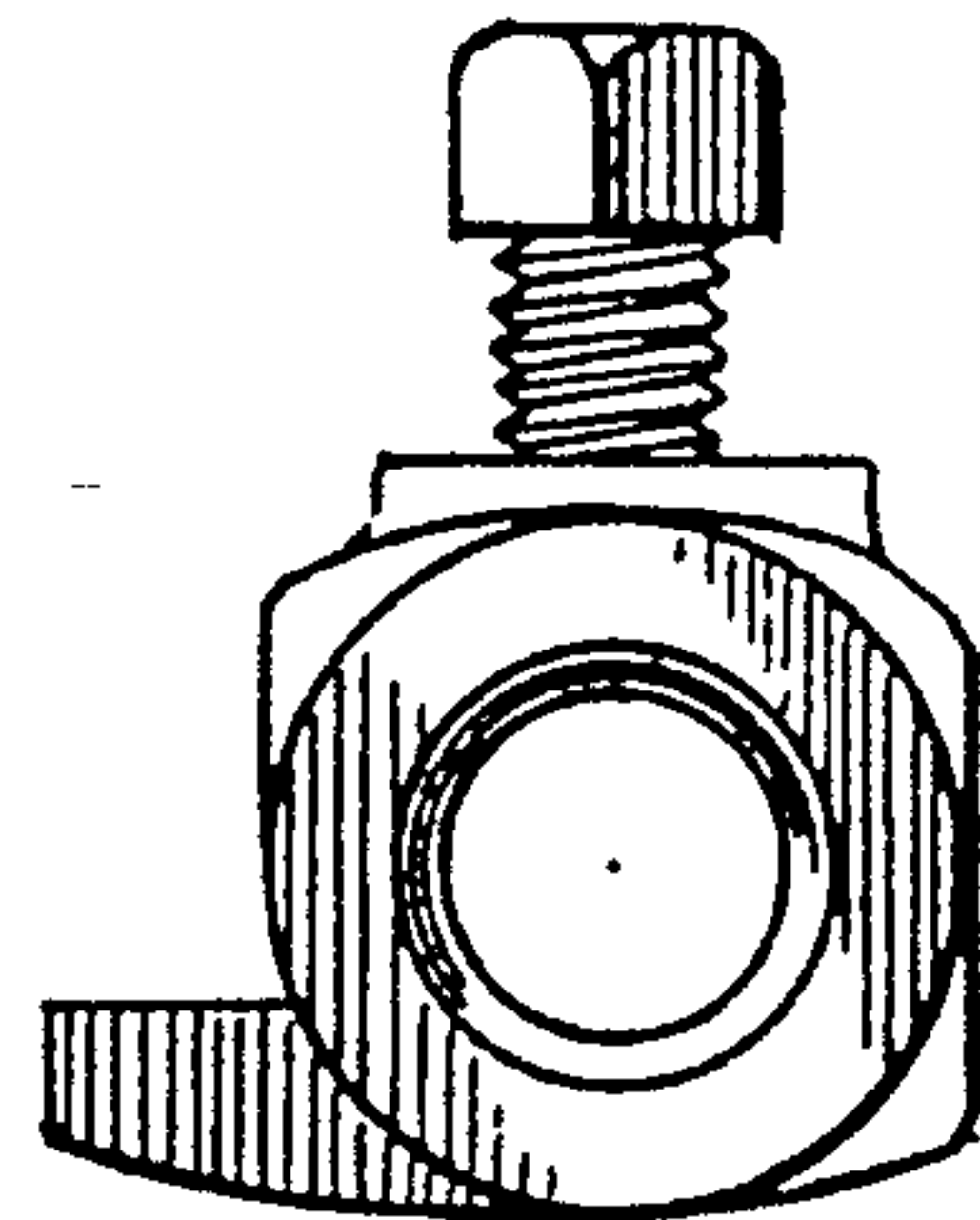


FIG. 4

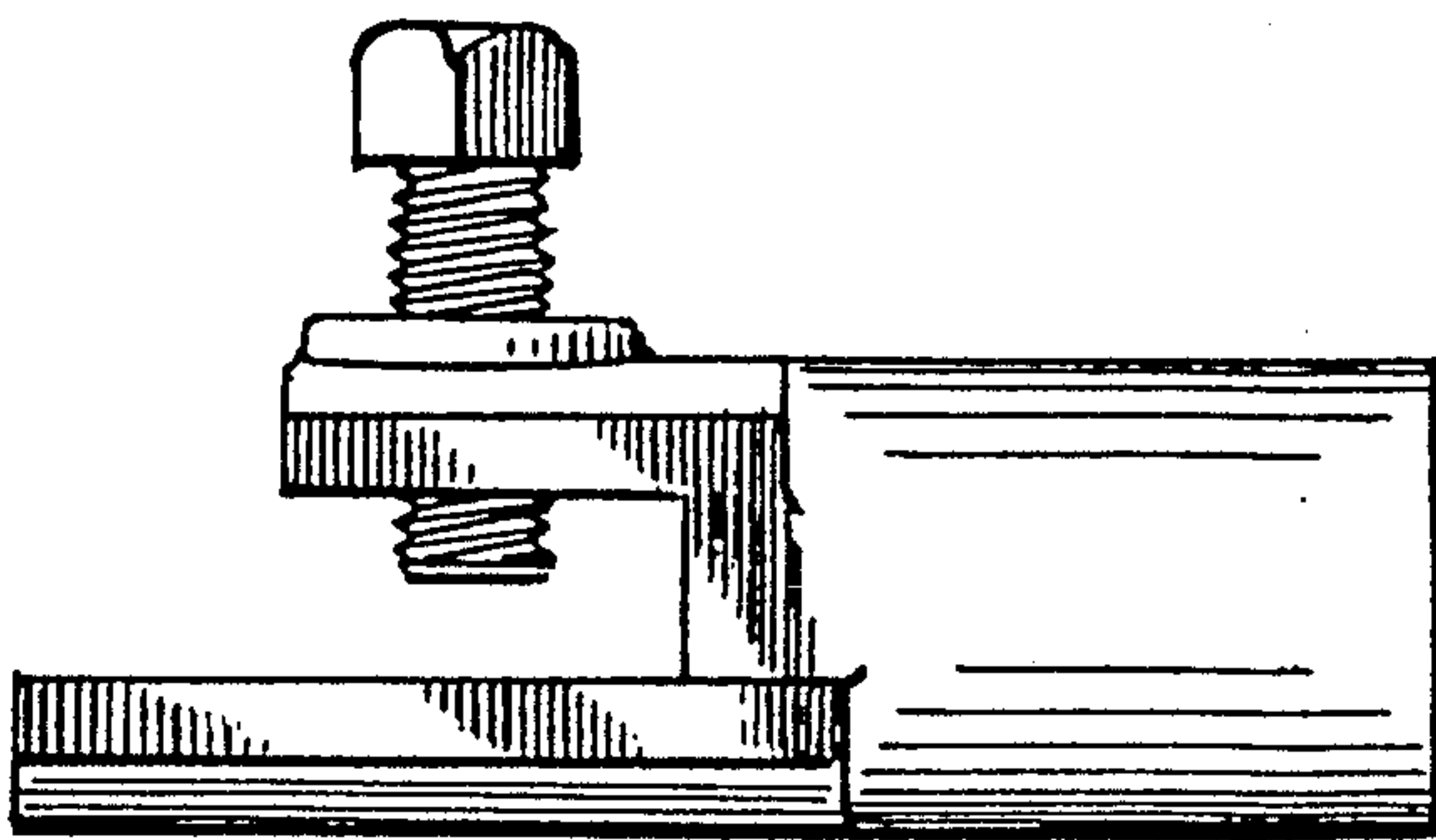


FIG. 5

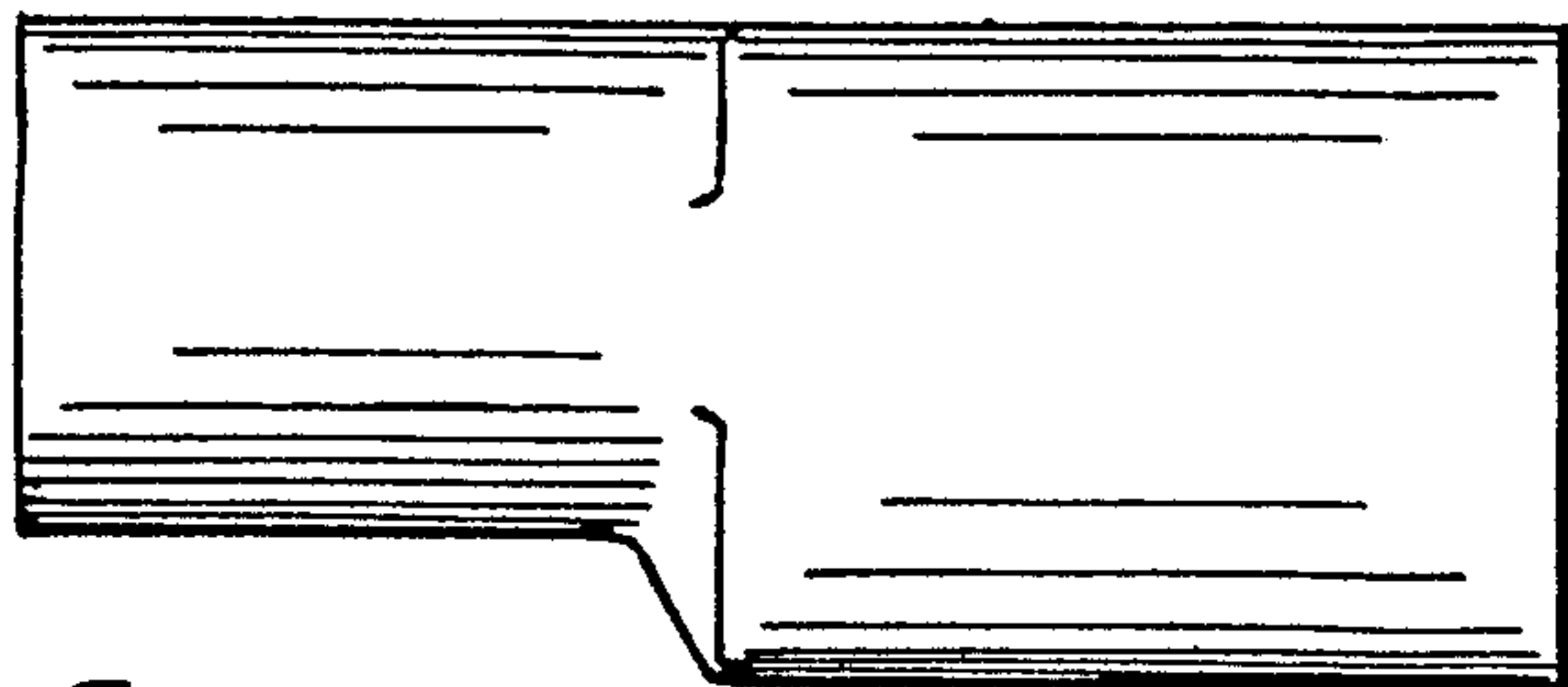


FIG. 6

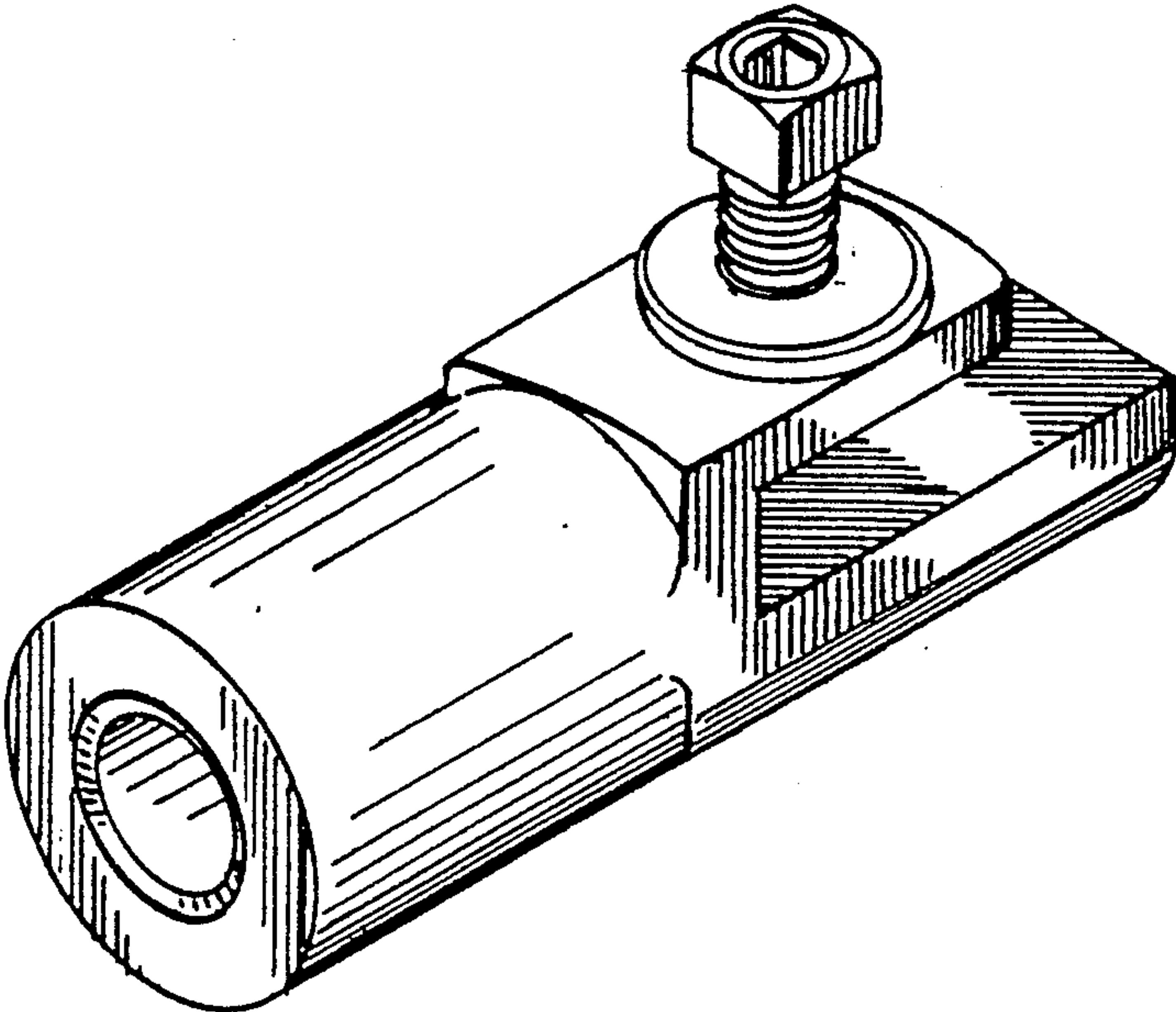


FIG. 7

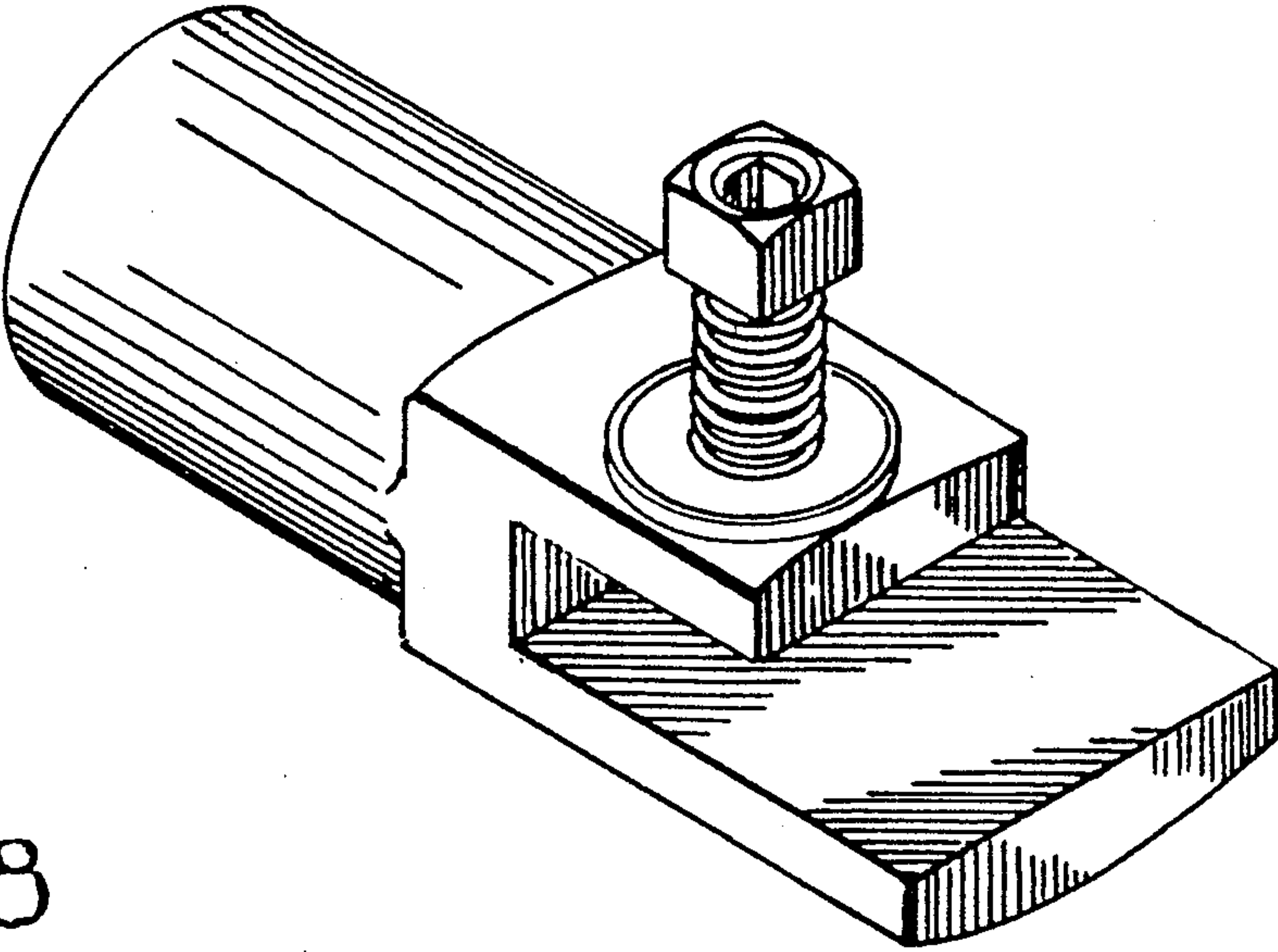


FIG. 8