



US00D325887S

United States Patent [19]

Vodhanel, Jr.

[11] Patent Number: Des. 325,887

[45] Date of Patent: ** May 5, 1992

- [54] ARTIFICIAL CHRISTMAS TREE
- [76] Inventor: Joseph J. Vodhanel, Jr., 10937 S. Groveland Ave., Whittier, Calif. 90603
- [**] Term: 14 Years
- [21] Appl. No.: 318,761
- [22] Filed: Mar. 3, 1989
- [52] U.S. Cl. D11/118; D6/415; D6/458
- [58] Field of Search D11/118; D6/396, 411, D6/412, 455, 415, 558; 428/18; 211/13, 33

- D 249,580 9/1978 Hill D11/121 X
- D. 288,508 3/1987 Toyama D6/415
- D. 296,164 6/1988 Scholl D6/415
- D. 296,164 6/1988 Scholk D6/457 X
- 1,471,909 10/1923 Miller 211/13 X
- 3,315,819 4/1967 Kingsbery 211/13 X
- 4,561,547 12/1985 Estwanik, III 211/13 X

Primary Examiner—Bernard Ansher
Assistant Examiner—Dominic Simone

[57] CLAIM

The ornamental design for a artificial christmas tree, as shown and described.

DESCRIPTION

FIG. 1 is a perspective view of an artificial christmas tree showing my new design;
FIG. 2 is a bottom plan view thereof;
FIG. 3 is a top plan view thereof; and,
FIG. 4 is a front elevational view thereof; the rear elevational view is a mirror image of FIG. 4 thereof.

- [56] **References Cited**
- U.S. PATENT DOCUMENTS**
- D. 142,018 8/1945 Campbell D11/124 X
- D. 163,434 5/1951 Willis D11/118
- D. 224,610 8/1972 Dustman D6/455

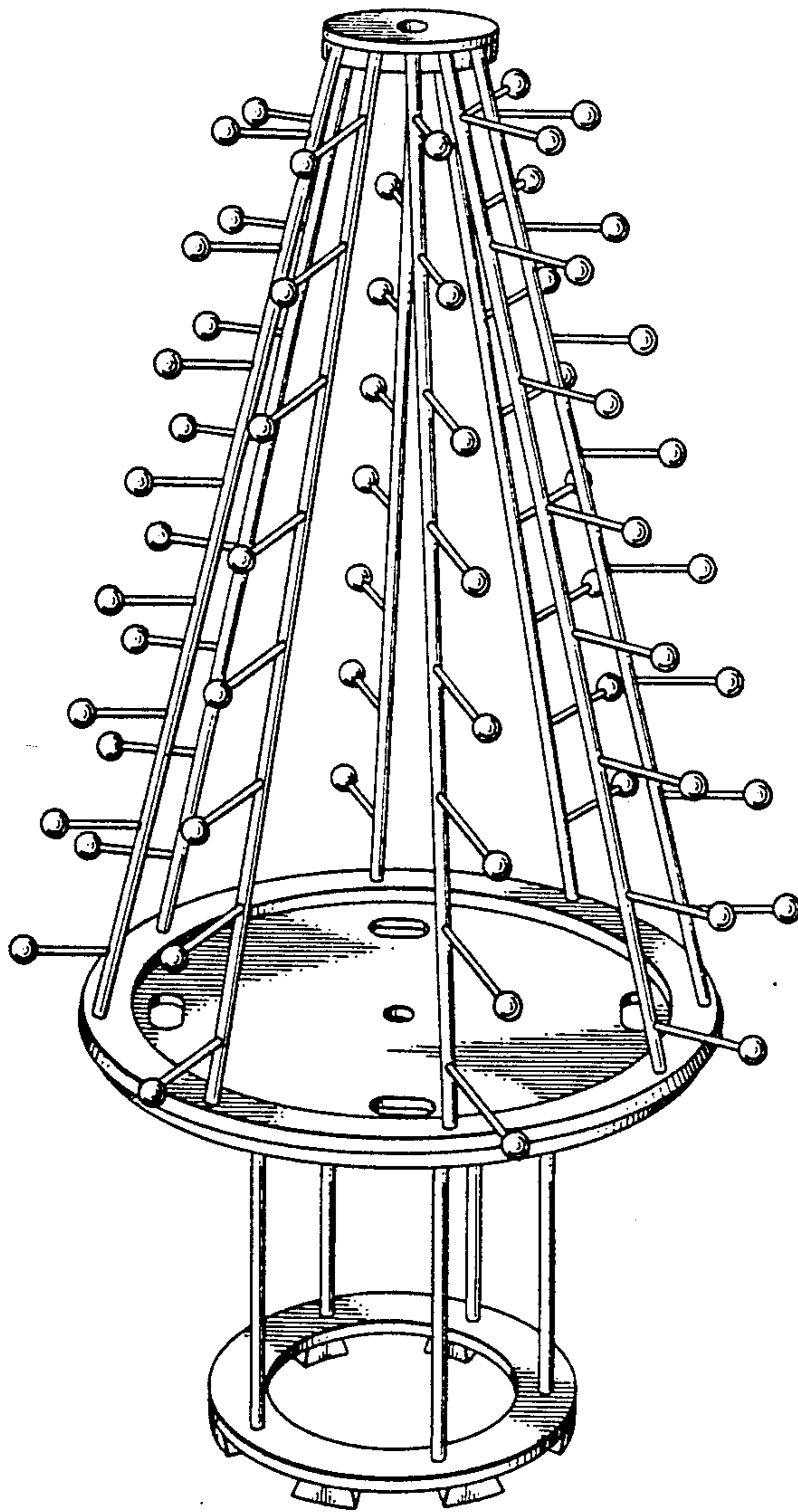
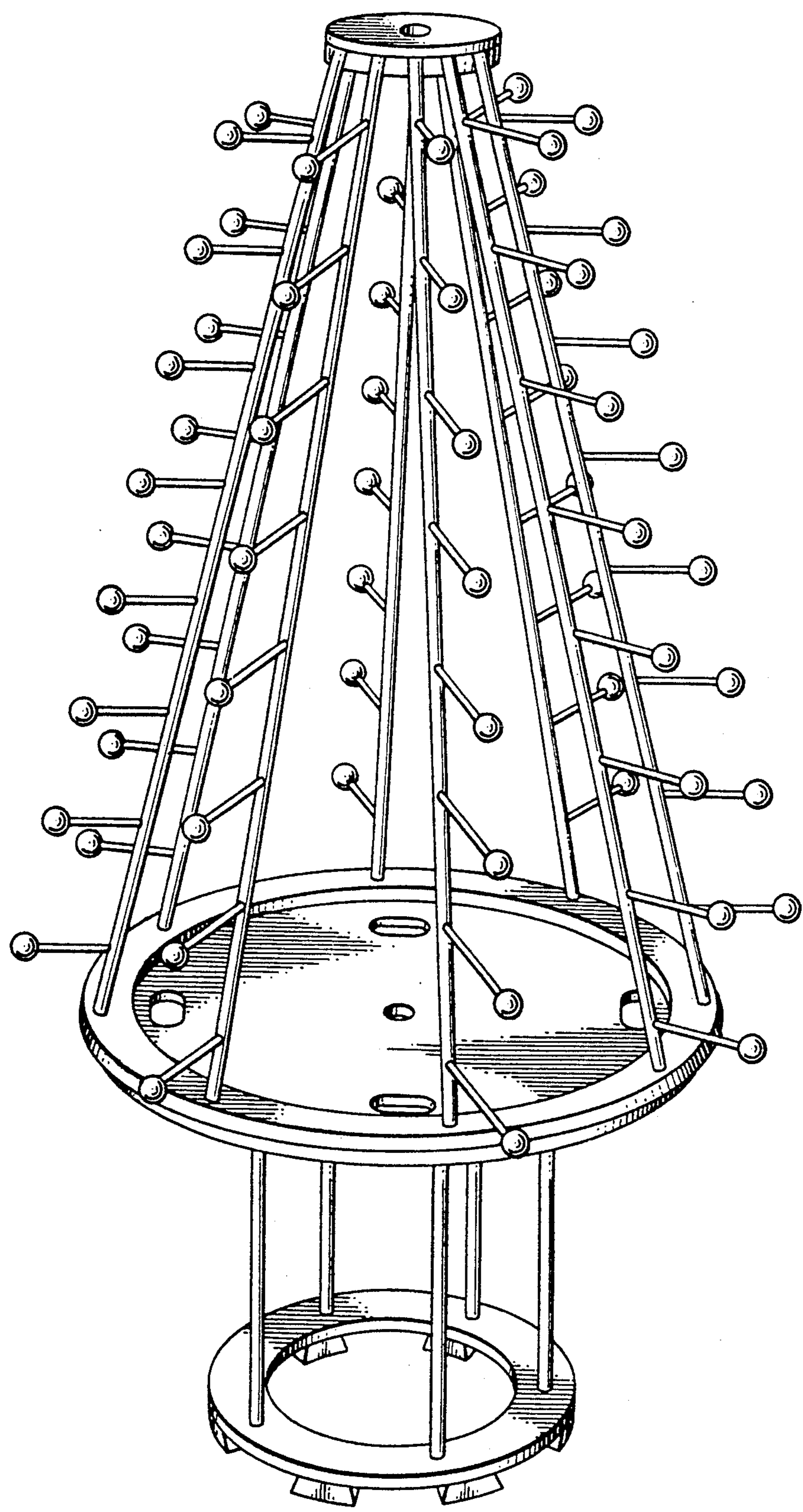


Fig. 1.



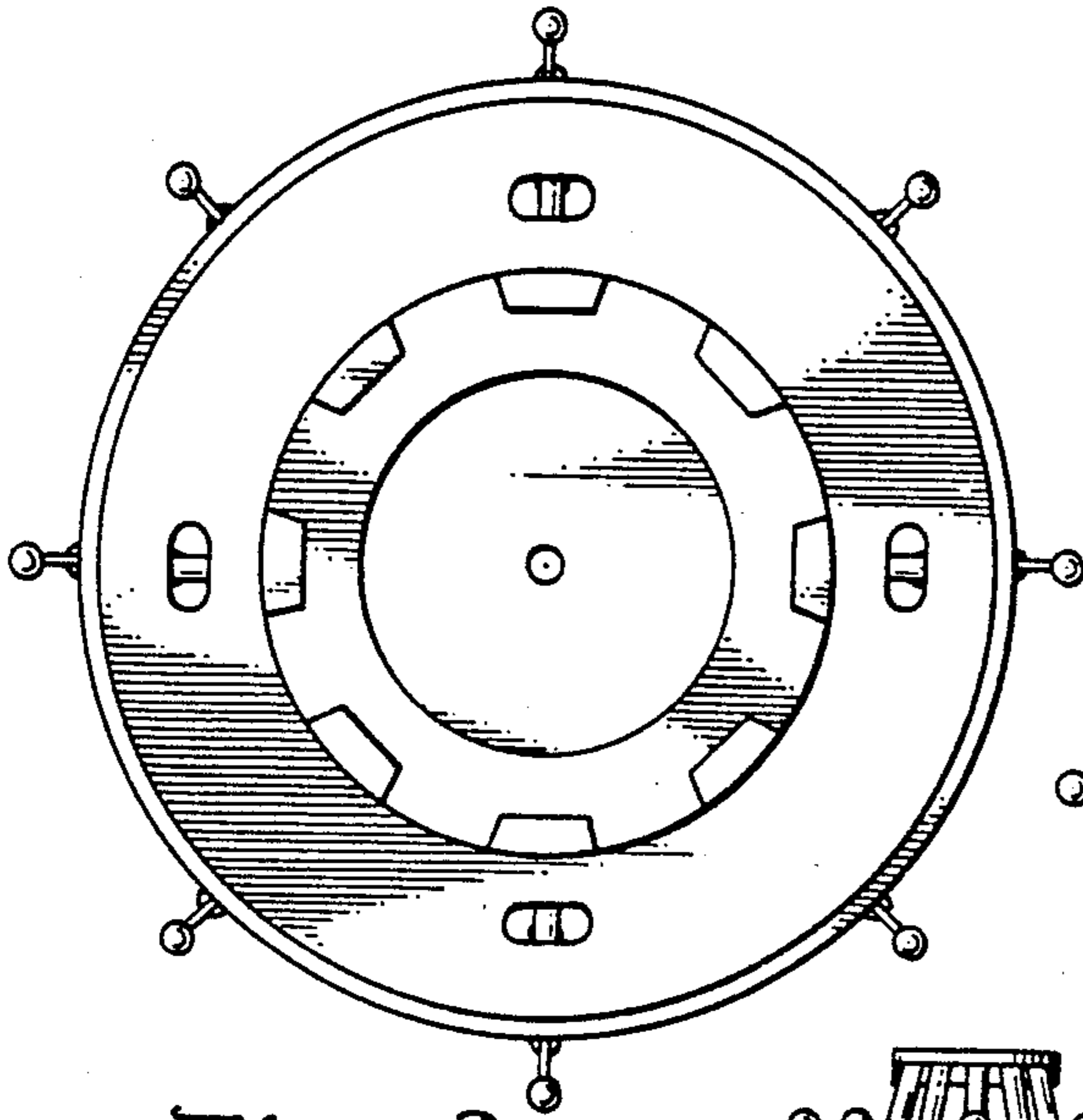


Fig. 2.

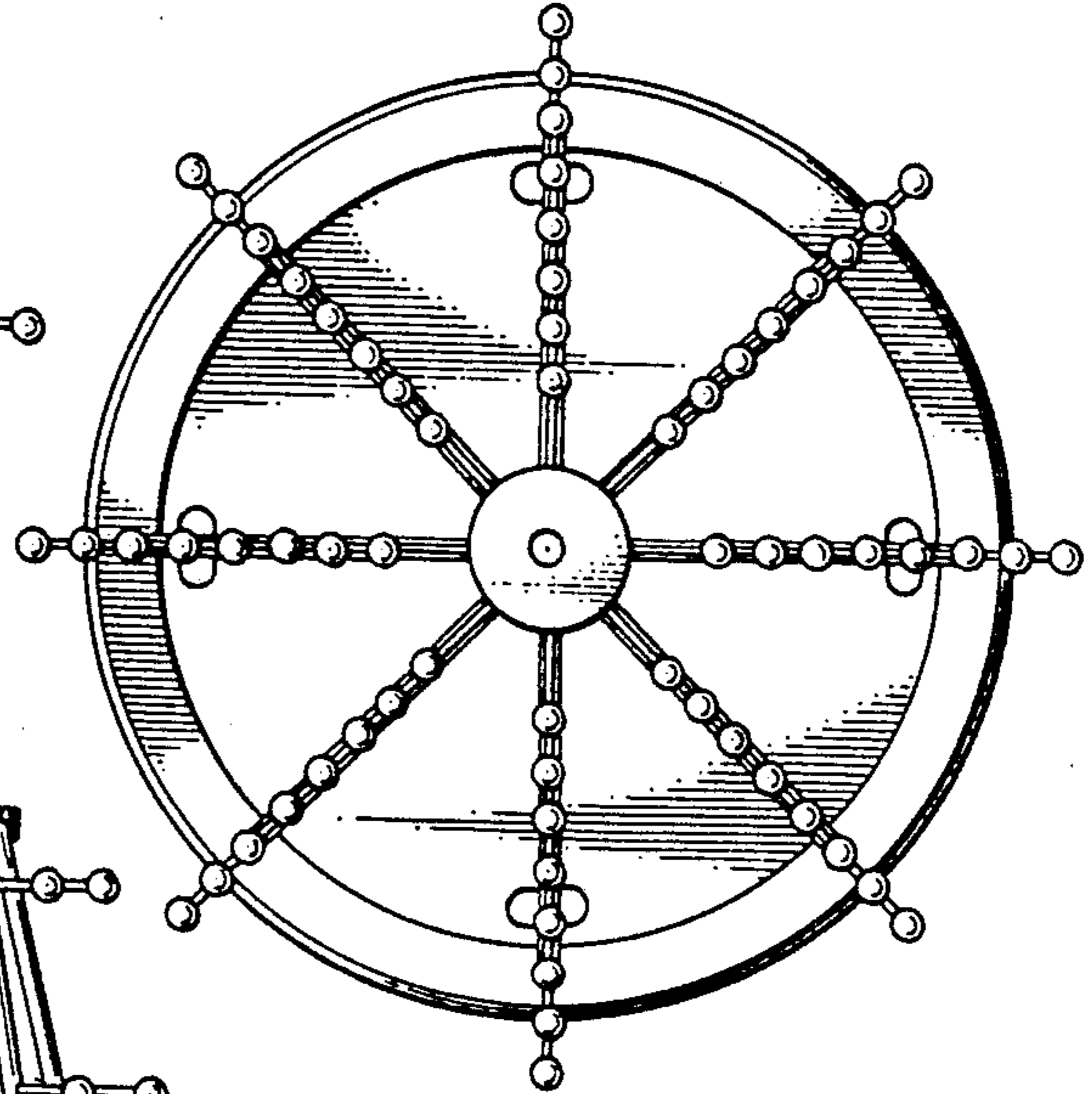


Fig. 3.

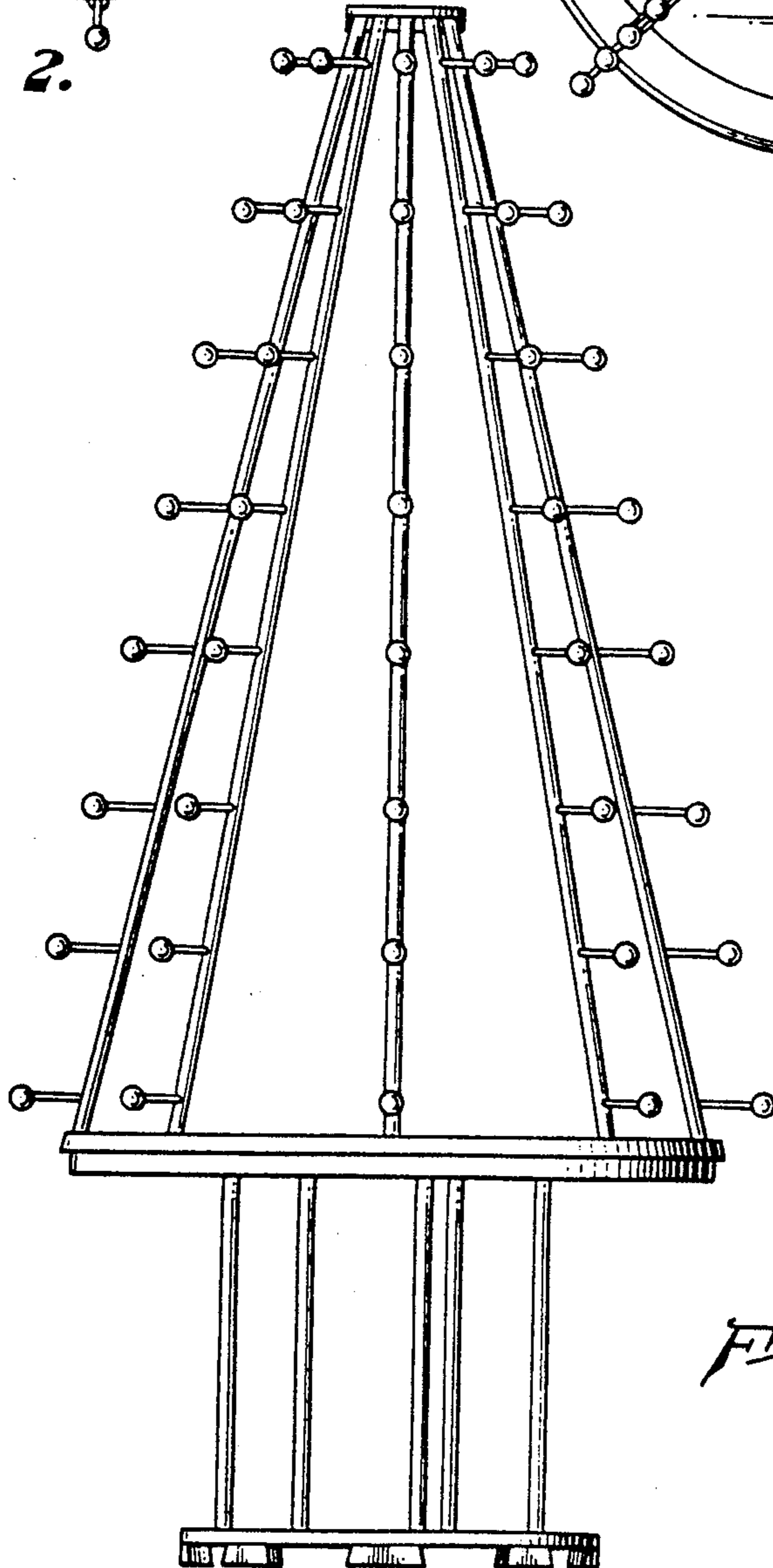


Fig. 4.