



US00D325882S

**United States Patent** [19]  
**Powell**

[11] **Patent Number: Des. 325,882**

[45] **Date of Patent: \*\* May 5, 1992**

[54] **SIGNAL FOR ATTRACTING ATTENTION OF A TAXI**

[76] **Inventor: Linda M. Powell, 42 Pine St., Apt. 6G, Yonkers, N.Y. 10701**

[\*\*] **Term: 14 Years**

[21] **Appl. No.: 543,574**

[22] **Filed: Jun. 26, 1990**

[52] **U.S. Cl. .... D10/109; D26/32**

[58] **Field of Search ..... D10/109, 111, 114, 115; D20/10, 35, 19; D26/31, 32, 33, 34; 362/811, 812**

[56] **References Cited**

**U.S. PATENT DOCUMENTS**

D. 97,437 11/1935 Loue ..... D10/109  
D. 203,248 12/1965 Schramm ..... D20/35

D. 245,940 9/1977 George ..... D20/10  
D. 310,545 9/1990 Auittan ..... D20/10  
1,362,324 12/1920 Karl .  
3,331,958 7/1967 Adler .  
3,875,398 4/1975 Brindley .

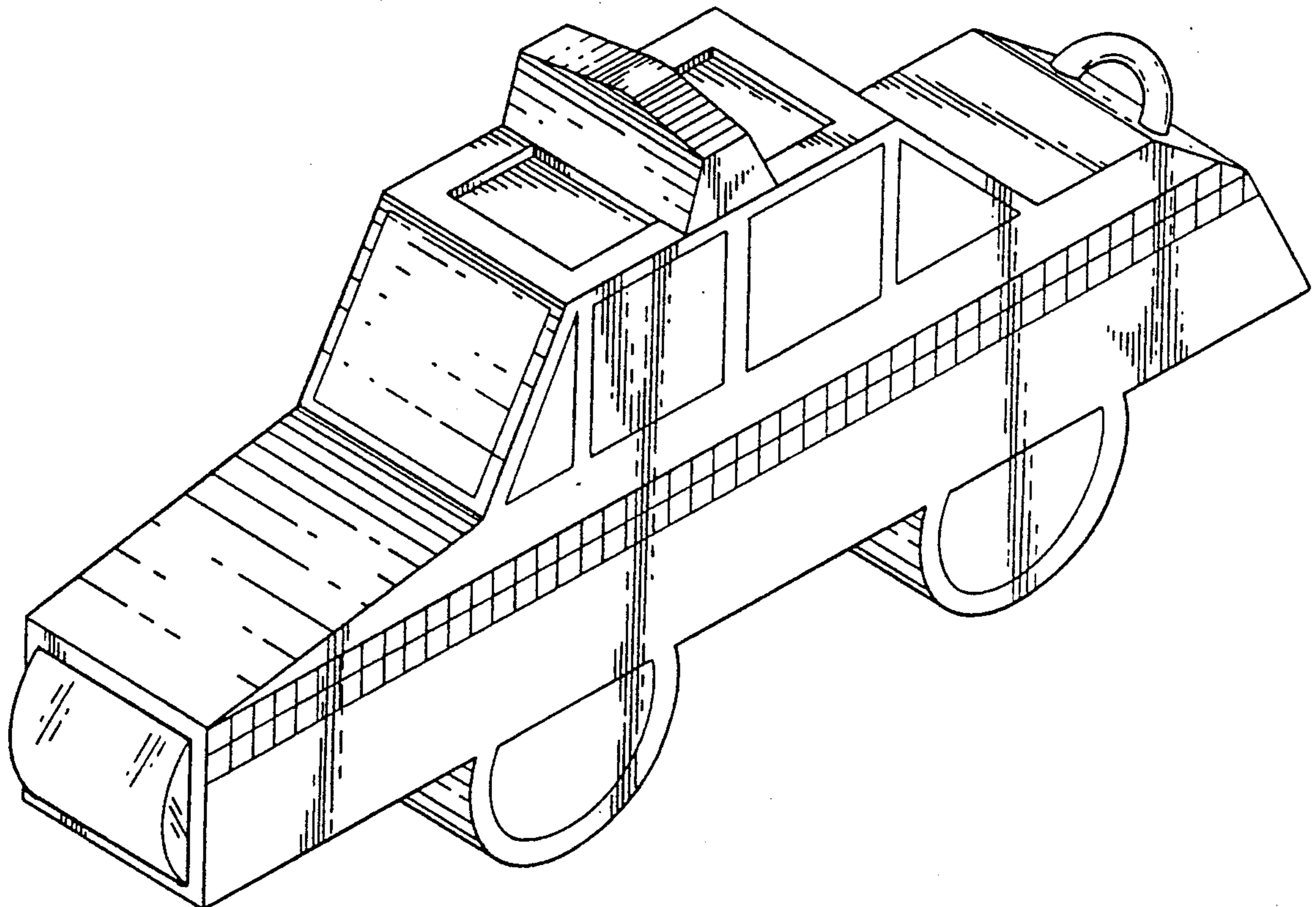
*Primary Examiner*—Wallace R. Burke  
*Assistant Examiner*—Marcus Jackson  
*Attorney, Agent, or Firm*—Terry M. Gernstein

[57] **CLAIM**

The ornamental design for a signal for attracting attention of a taxi, as shown and described.

**DESCRIPTION**

FIG. 1 is a perspective view of a signal for attracting attention of a taxi showing my new design;  
FIG. 2 is a top plan view thereof;  
FIG. 3 is a bottom plan view thereof;  
FIG. 4 is a front elevational view thereof; and,  
FIG. 5 is a rear elevational view thereof.



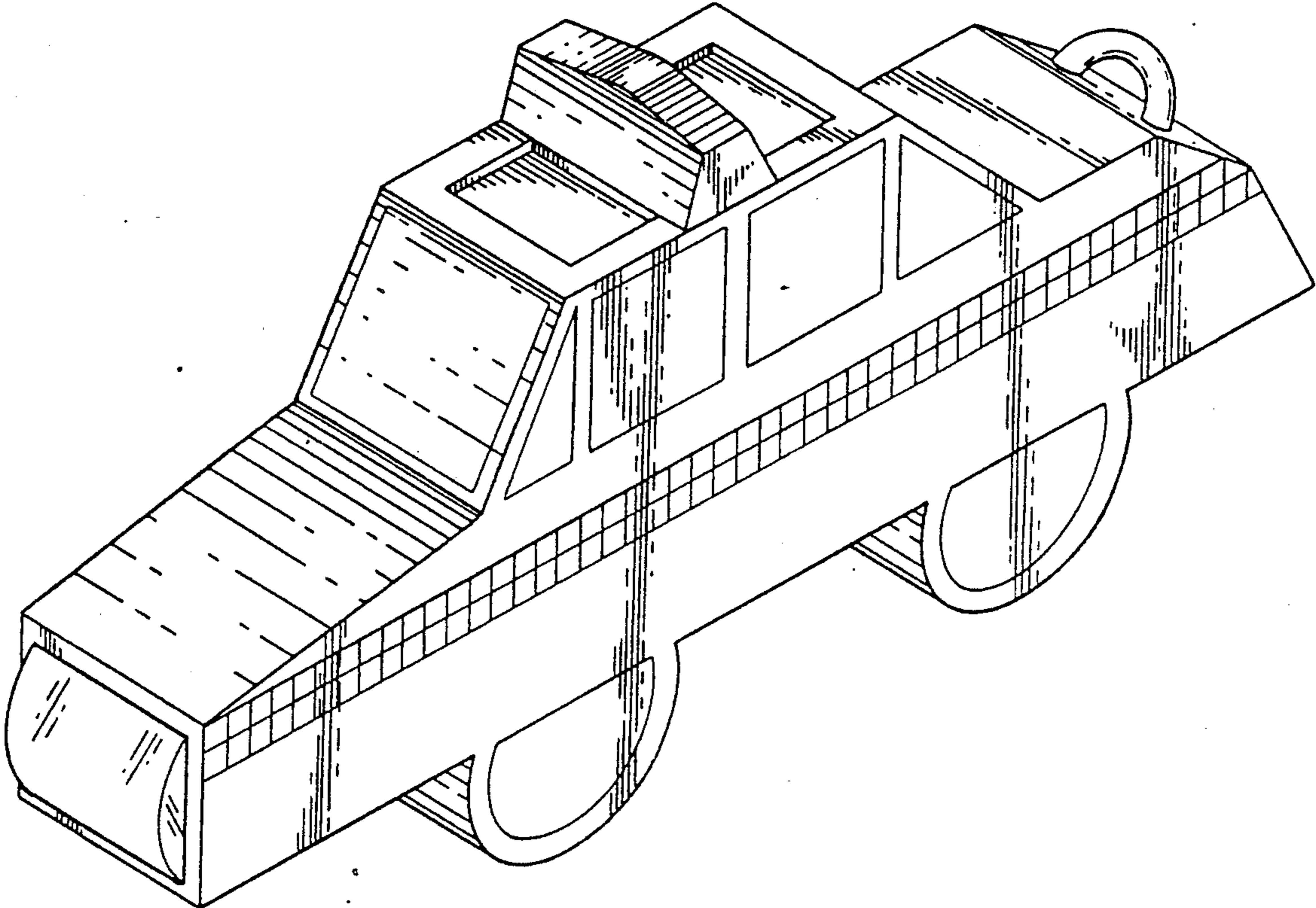


Fig. 1

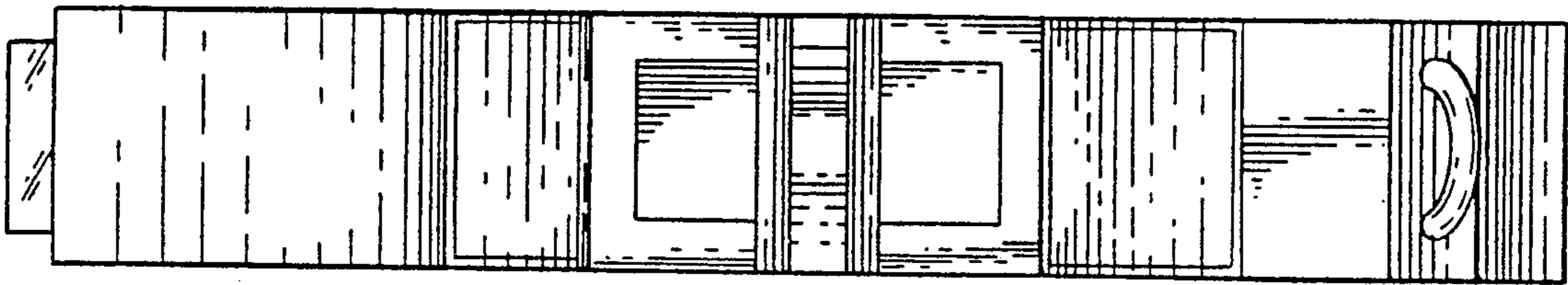


Fig. 2

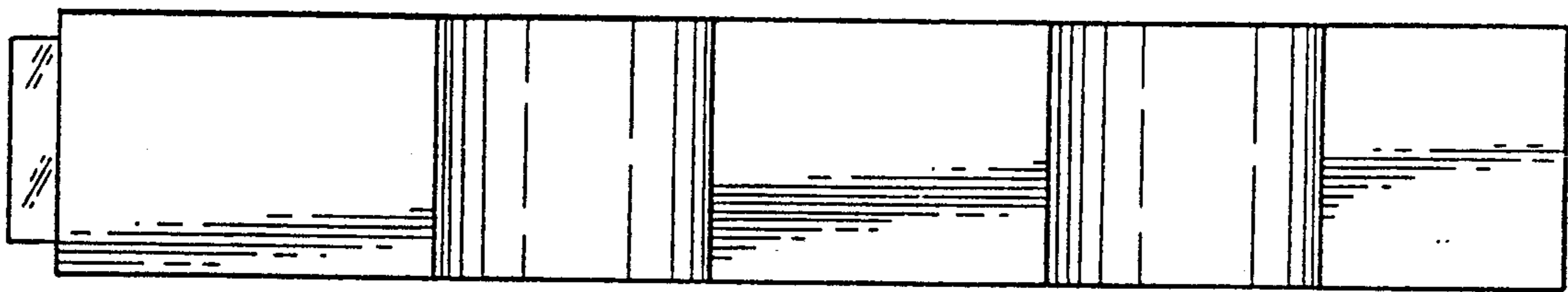


Fig. 3

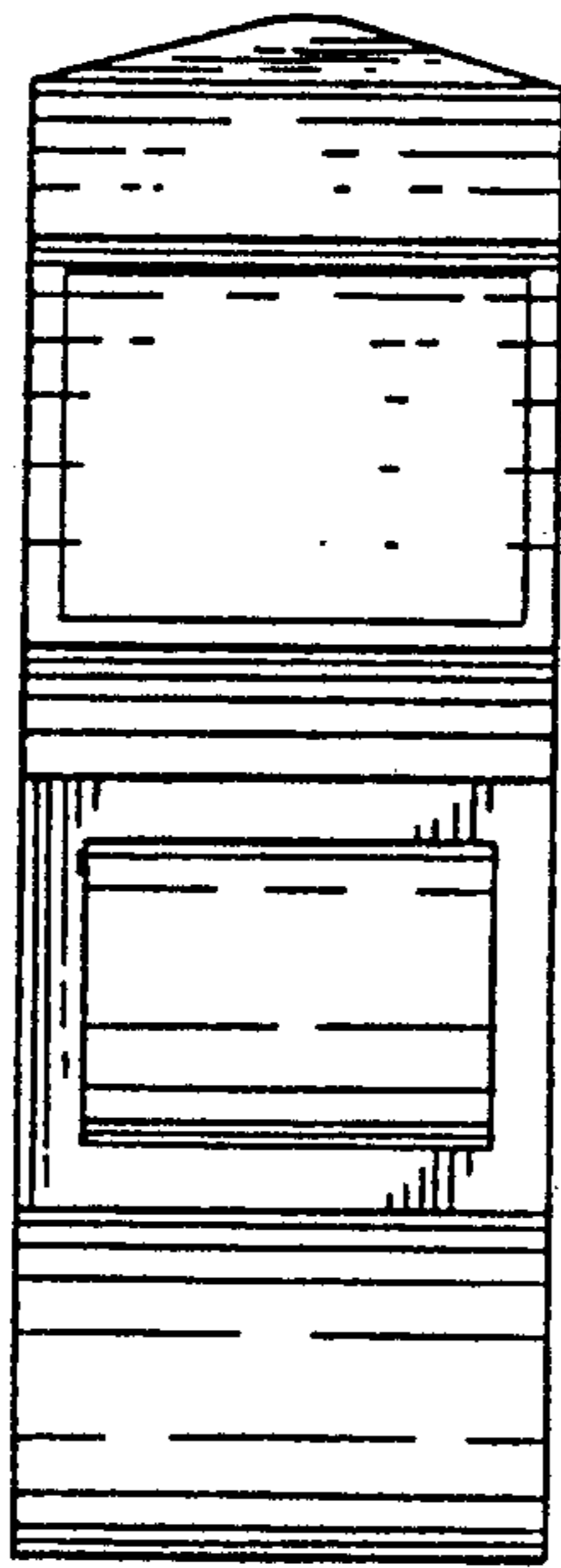


Fig. 4

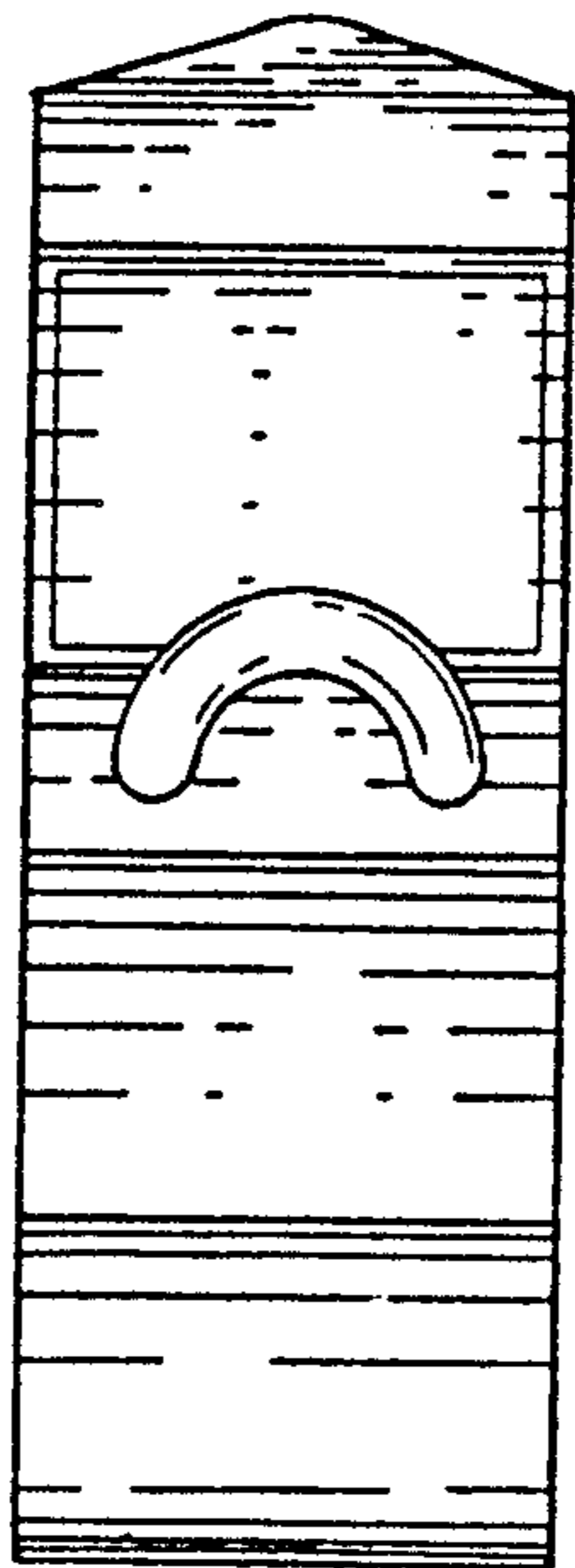


Fig. 5