



US00D325881S

# United States Patent [19]

[11] Patent Number: **Des. 325,881**

Brayton et al.

[45] Date of Patent: **\*\* May 5, 1992**

[54] **COLOR COMPARATOR**

[75] Inventors: **Scott V. Brayton; Richard D. Vanvalin; Timothy J. Gaul**, all of Loveland, Colo.

[73] Assignee: **Hach Company**, Loveland, Colo.

[\*\*] Term: **14 Years**

[21] Appl. No.: **384,663**

[22] Filed: **Jul. 24, 1989**

[52] U.S. Cl. .... **D10/81**

[58] Field of Search ..... **D10/46, 83; 356/30, 356/31, 128, 130, 135, 343, 415, 421, 445, 446, 447, 448**

|           |         |                     |           |
|-----------|---------|---------------------|-----------|
| 1,495,763 | 5/1924  | Simpson et al. .... | 356/415 X |
| 1,675,967 | 7/1928  | Zitkowski .....     | D10/81 X  |
| 3,773,425 | 11/1973 | Bentley .....       | 356/421   |
| 4,073,623 | 2/1978  | Bodart .....        | 356/421 X |

*Primary Examiner*—Bruce W. Dunkins  
*Assistant Examiner*—Antoine D. Davis  
*Attorney, Agent, or Firm*—Dean P. Edmundson

[57] **CLAIM**

The ornamental design for a color comparator, as shown.

**DESCRIPTION**

FIG. 1 is a perspective view of a color comparator showing our new design; FIG. 2 is a right side elevational view; FIG. 3 is a top plan view; FIG. 4 is a bottom plan view; FIG. 5 is a rear elevational view; and, FIG. 6 is a front elevational view thereof.

[56] **References Cited**

**U.S. PATENT DOCUMENTS**

|            |        |              |         |
|------------|--------|--------------|---------|
| D. 316,826 | 5/1991 | Neuman ..... | D10/81  |
| 1,389,836  | 9/1921 | Mooney ..... | 356/415 |

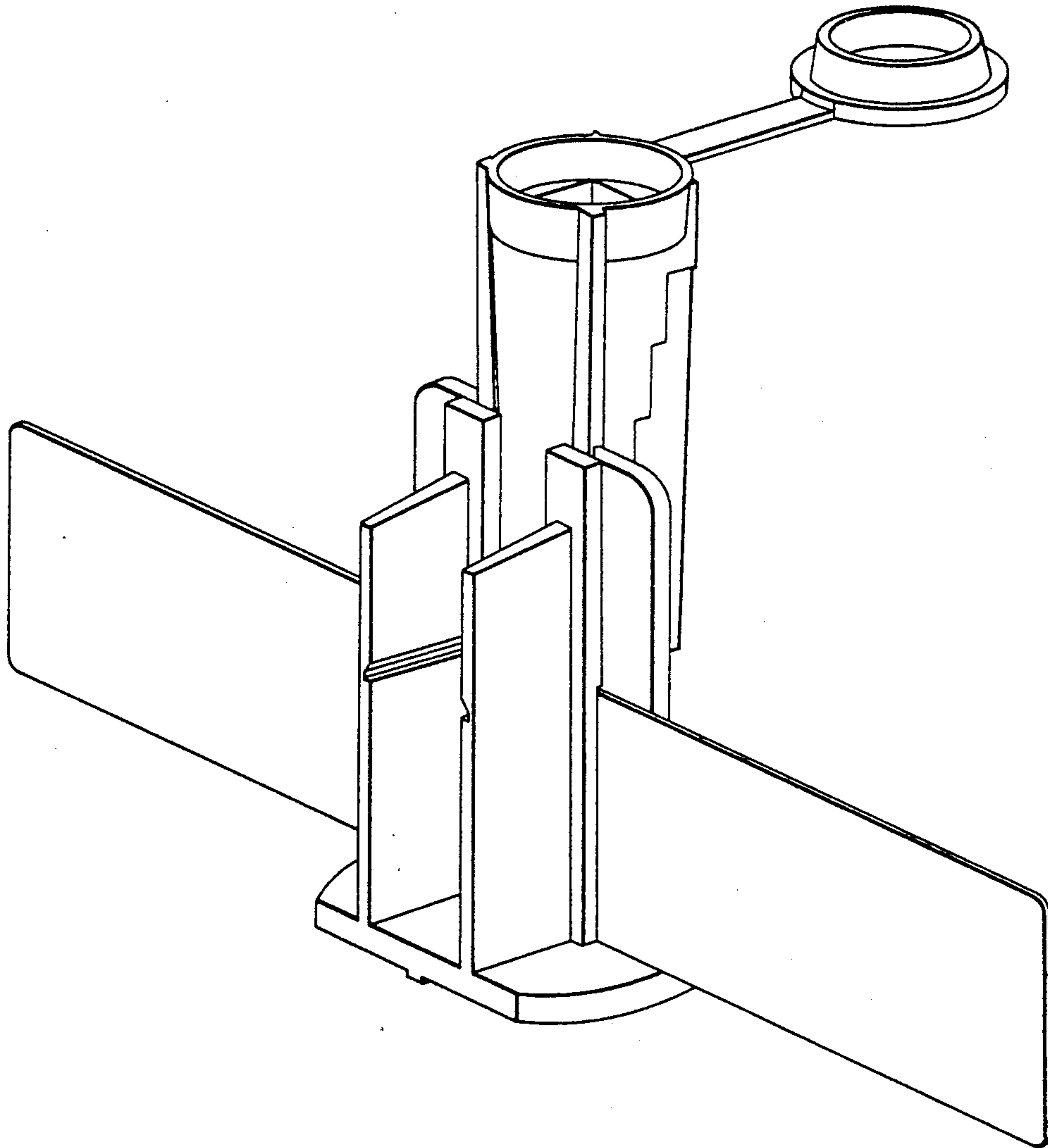


FIG. 1

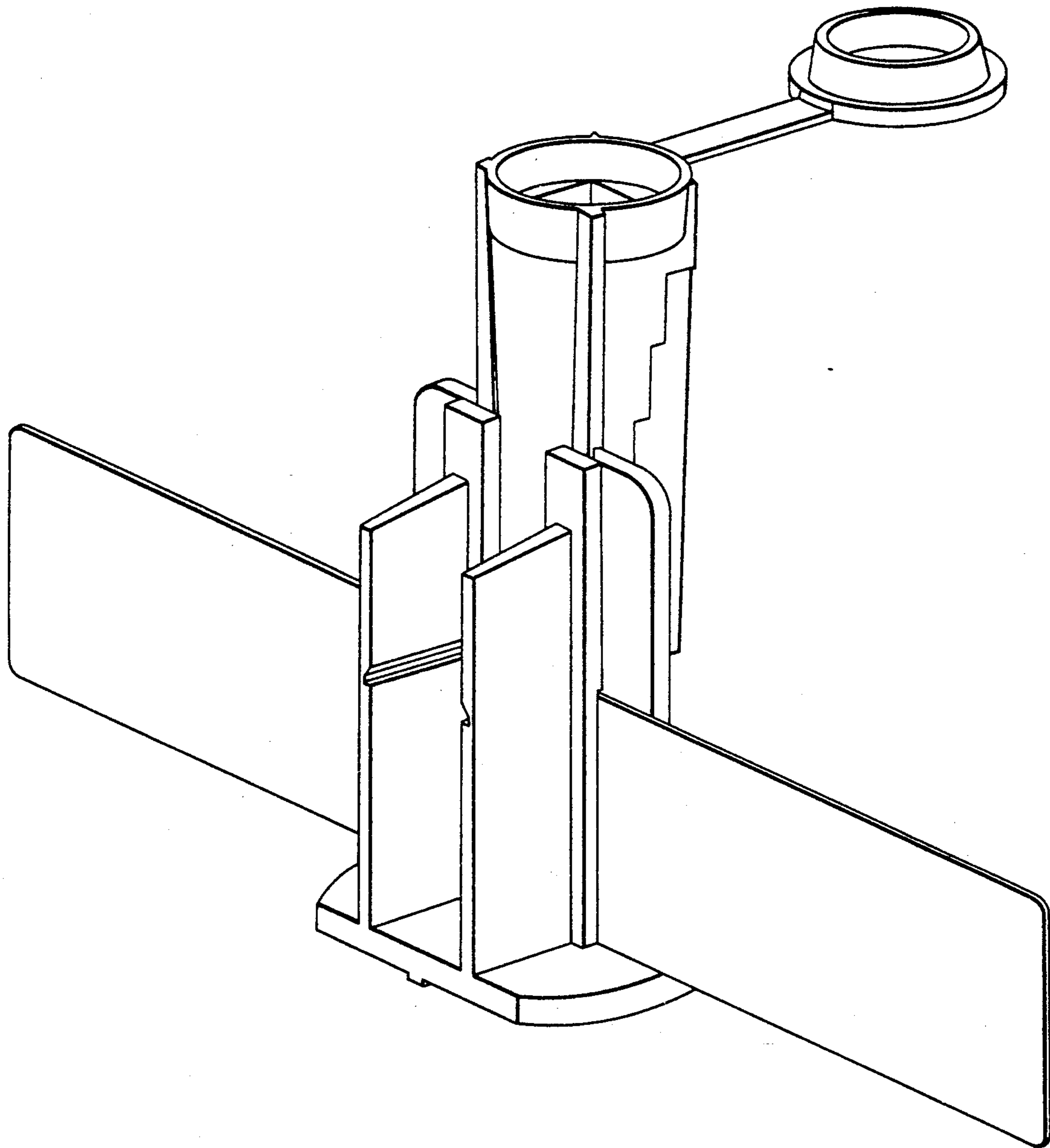


FIG. 2

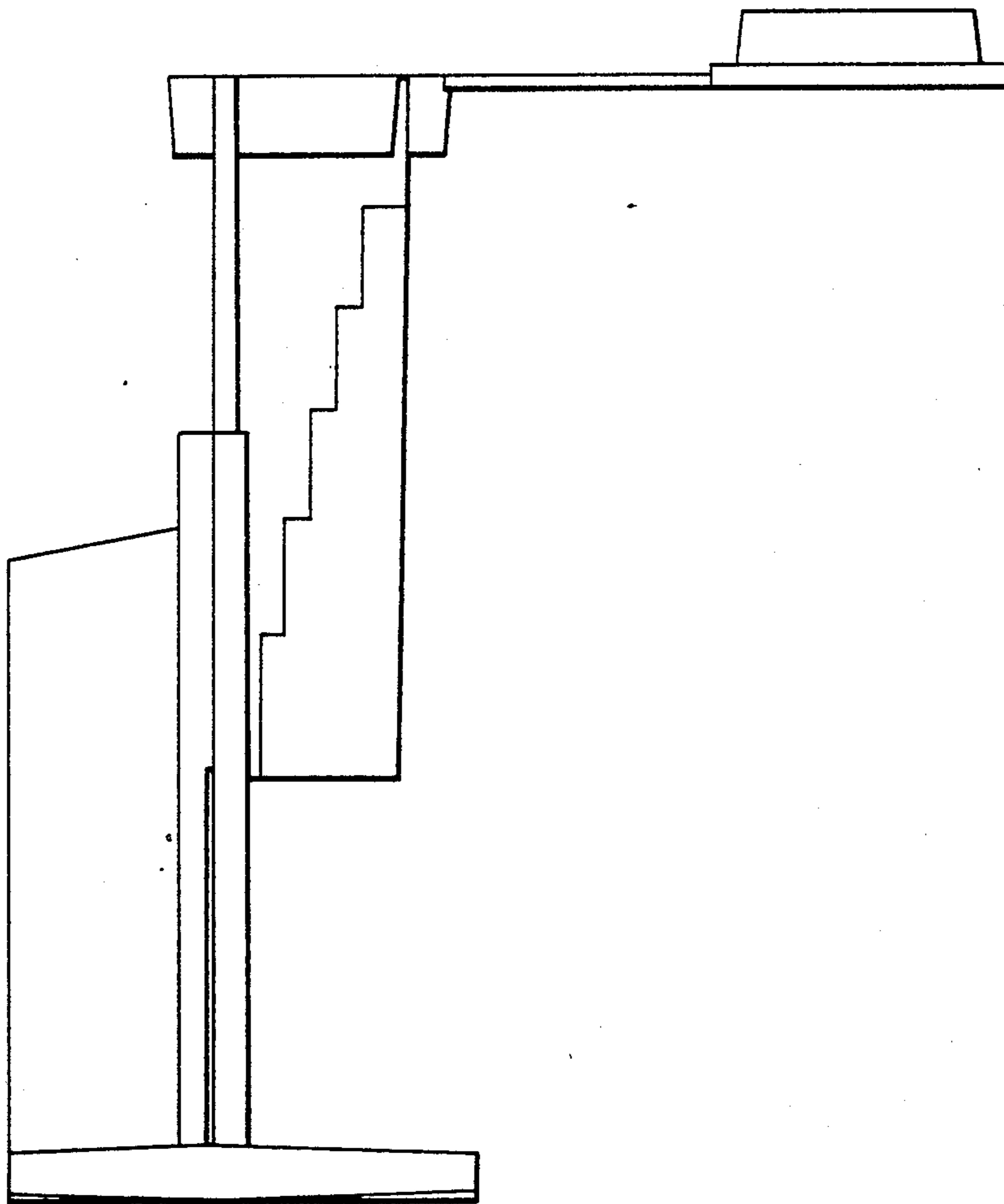


FIG. 3

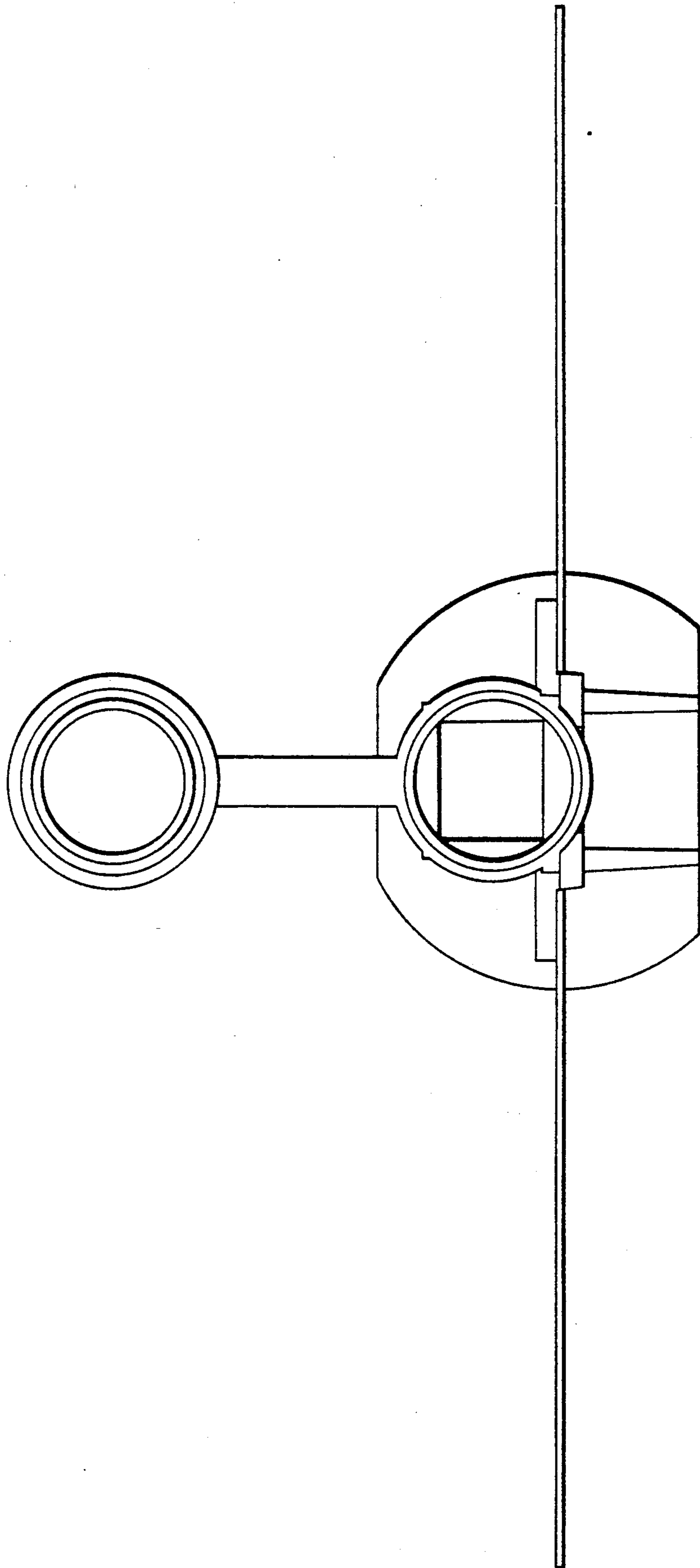


FIG. 4

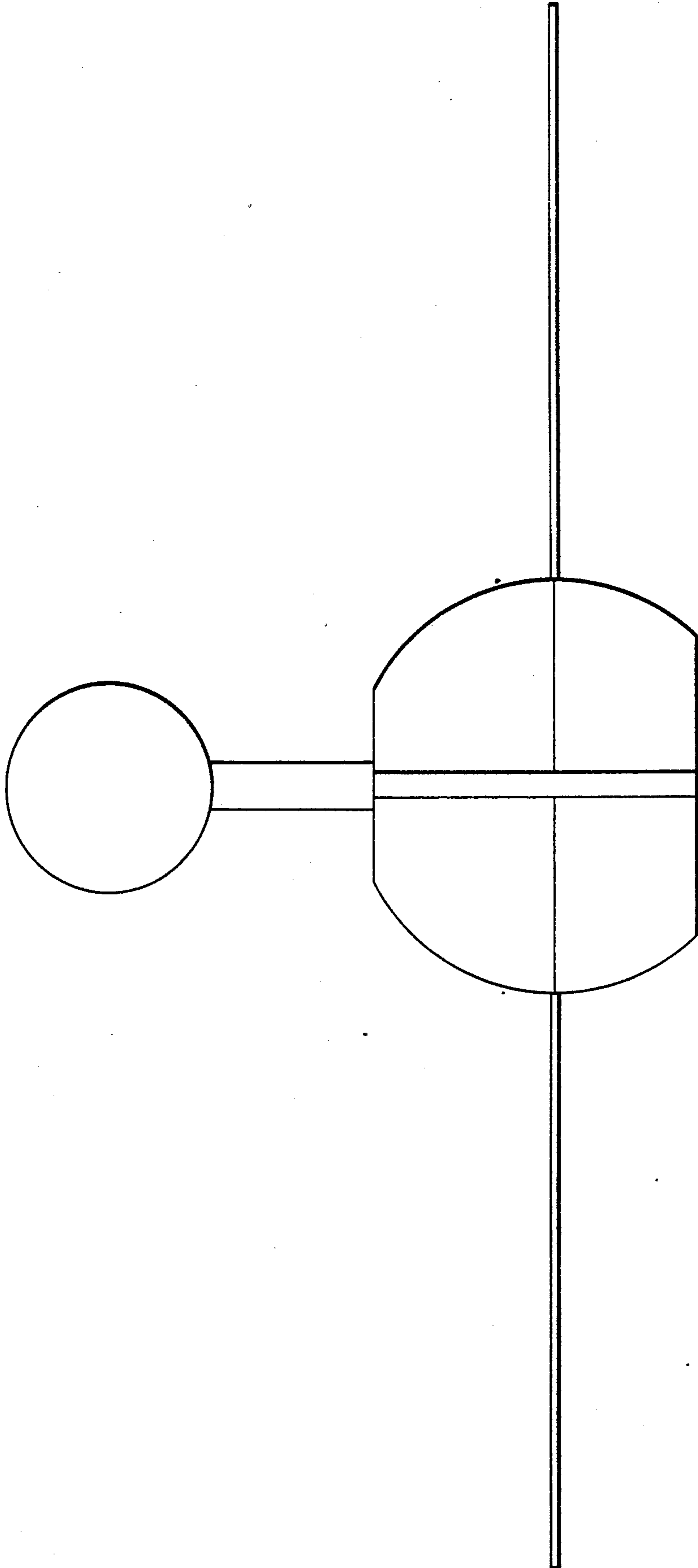


FIG. 5

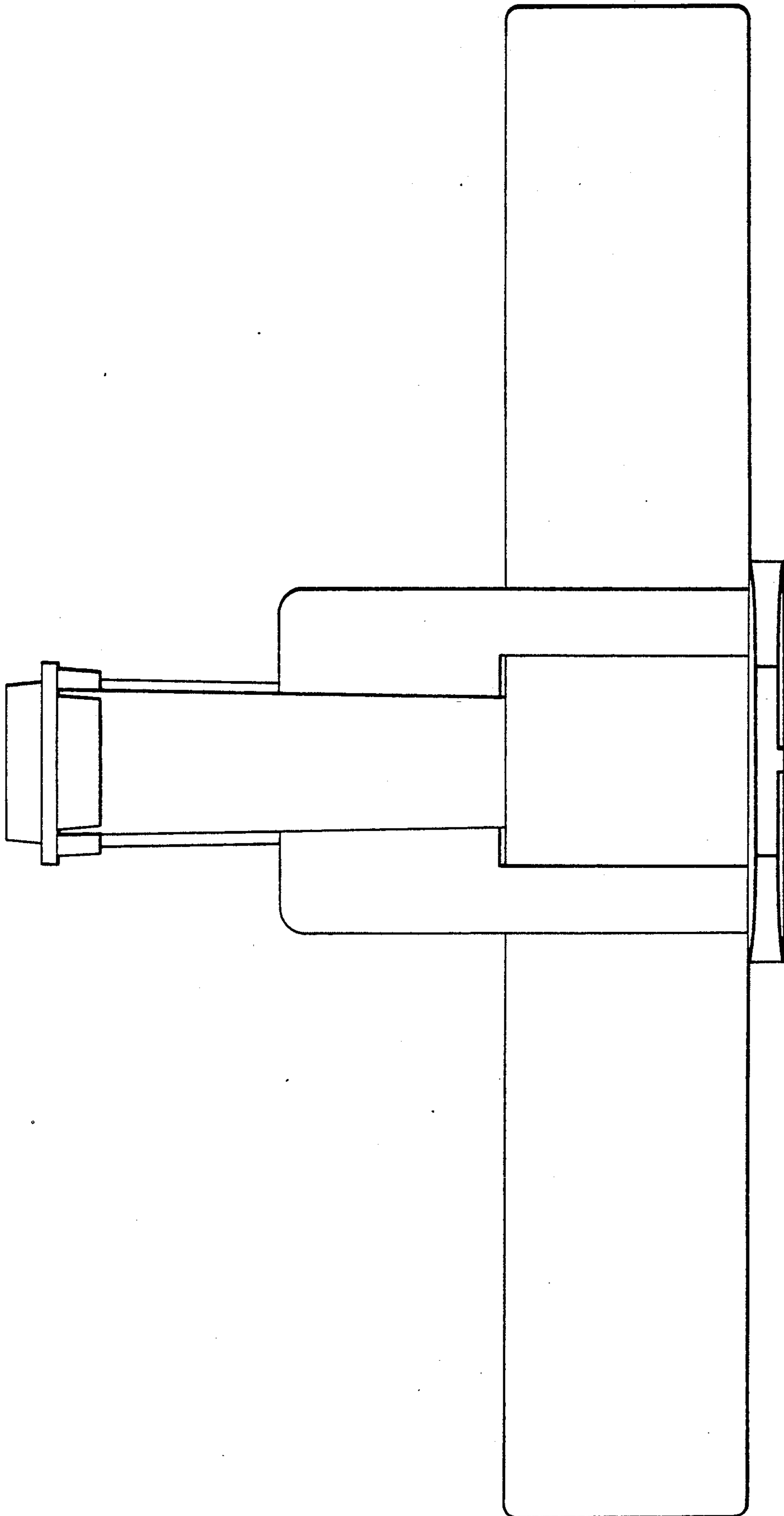


FIG. 6

