



US00D325880S

United States Patent [19]

Havins

[11] Patent Number: **Des. 325,880**

[45] Date of Patent: **** May 5, 1992**

[54] **SONAR TRANSDUCER MOUNT**
 [75] Inventor: **Felton H. Havins, Graham, Tex.**
 [73] Assignee: **Aero Marine Engineering, Inc., Bryson, Tex.**
 [**] Term: **14 Years**
 [21] Appl. No.: **459,597**
 [22] Filed: **Jan. 2, 1990**

1,303,345 5/1919 Mcfeaters 248/288.5 X
 3,039,078 6/1962 Wilcoxon 340/5
 4,282,590 8/1981 Wingate 367/104
 4,285,485 8/1981 Burke 248/291

FOREIGN PATENT DOCUMENTS

180506 5/1957 Sweden .

Primary Examiner—Donald P. Walsh
Assistant Examiner—Antoine D. Davis
Attorney, Agent, or Firm—Geoffrey A. Mantooth

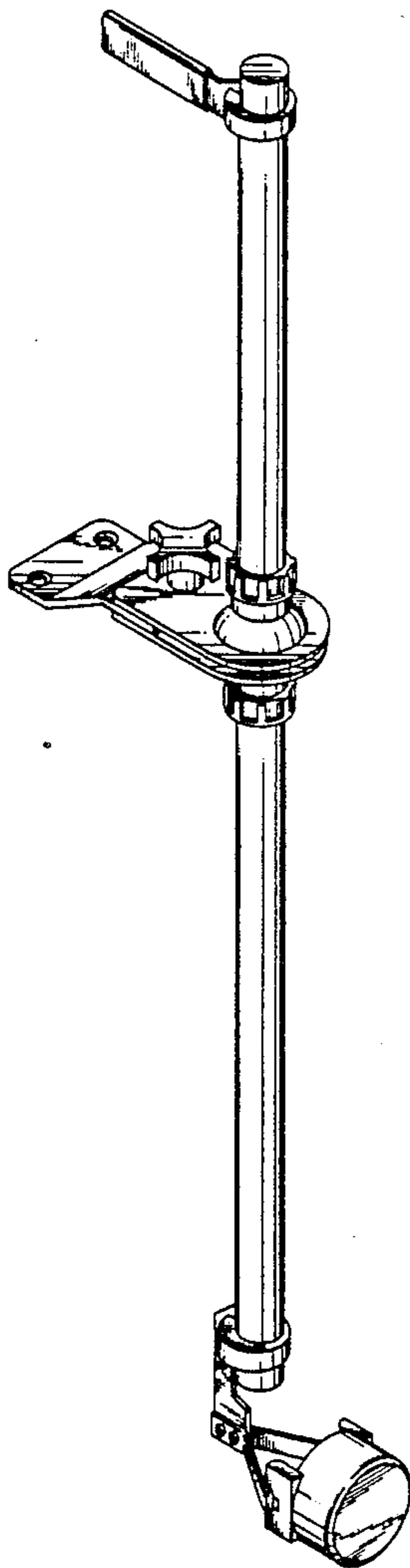
Related U.S. Application Data
 [63] Continuation-in-part of Ser. No. 314,903, Feb. 24, 1989, Pat. No. 4,928,915.
 [52] U.S. Cl. **D10/80; D8/349**
 [58] Field of Search **D8/349, 373, 376; D10/46, 75, 80; 33/1 PT; 248/288.5, 295.1; 114/364; 367/141, 173; 440/6**

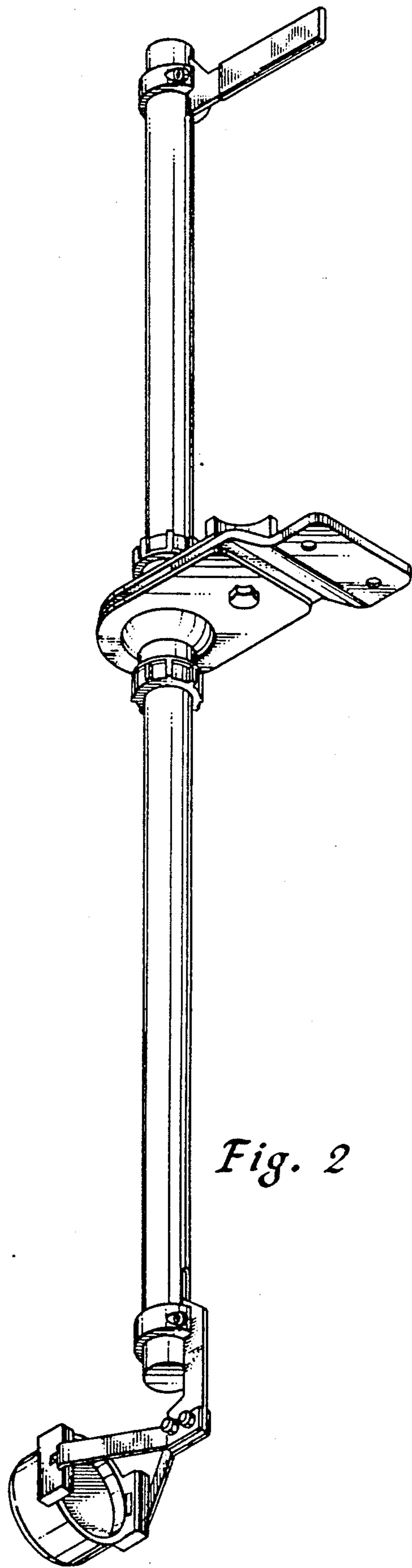
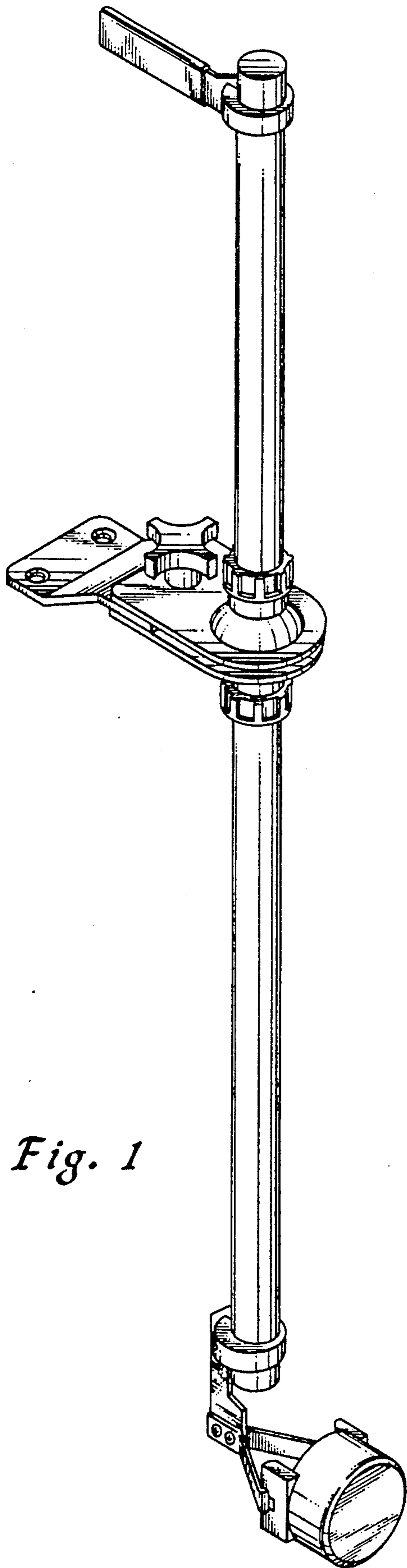
[57] **CLAIM**
 The ornamental design for a sonar transducer mount, as shown.

DESCRIPTION

FIG. 1 is a top, front and left side perspective view of a sonar transducer mount showing my new design;
 FIG. 2 is a bottom, rear and right side perspective view;
 FIG. 3 is a left side elevational view;
 FIG. 4 is a right side elevational view;
 FIG. 5 is a front elevational view; and,
 FIG. 6 is a rear elevational view thereof.

[56] **References Cited**
U.S. PATENT DOCUMENTS
 D. 245,755 9/1977 Lewis D8/349





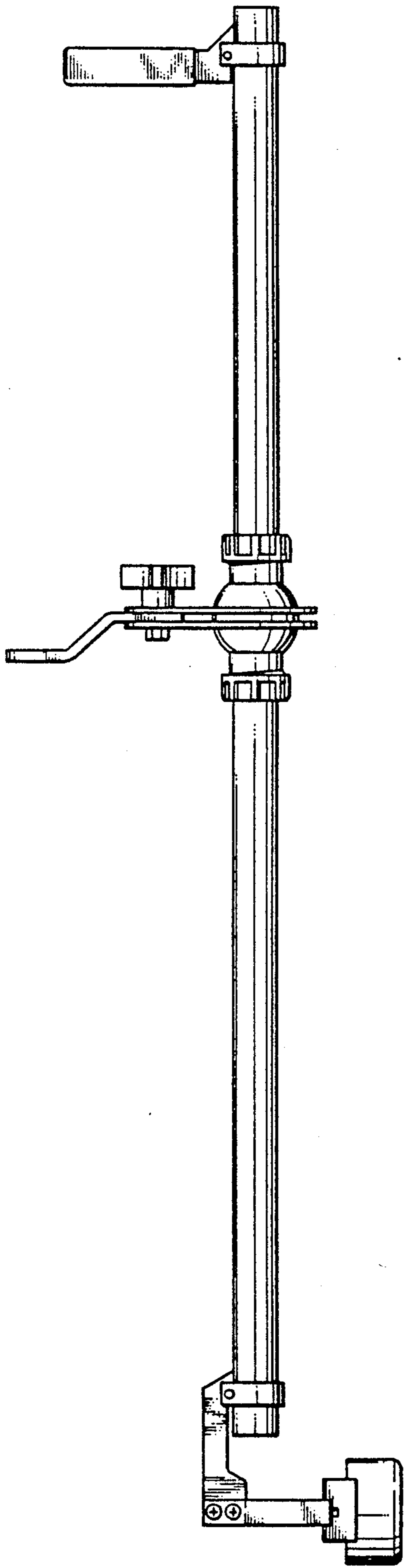


Fig. 3

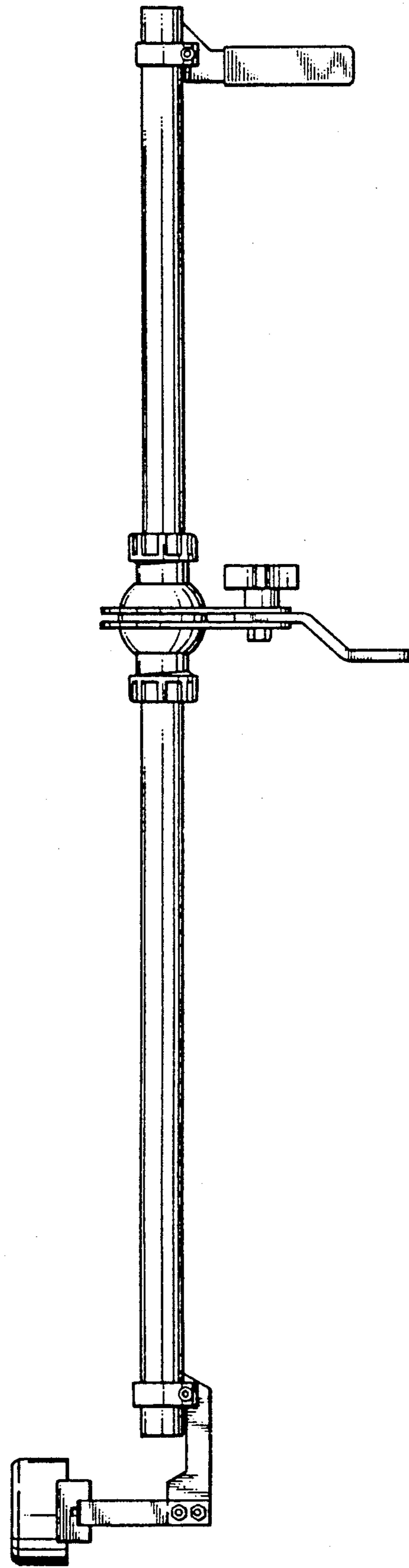


Fig. 4

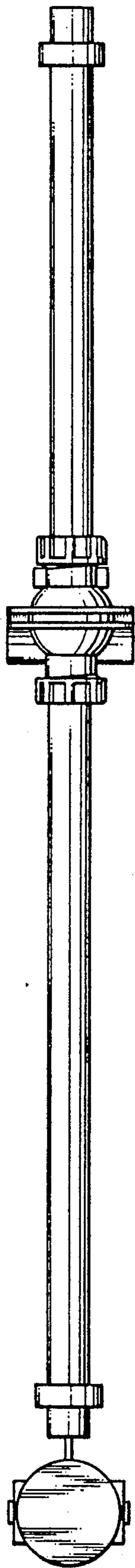


Fig. 5

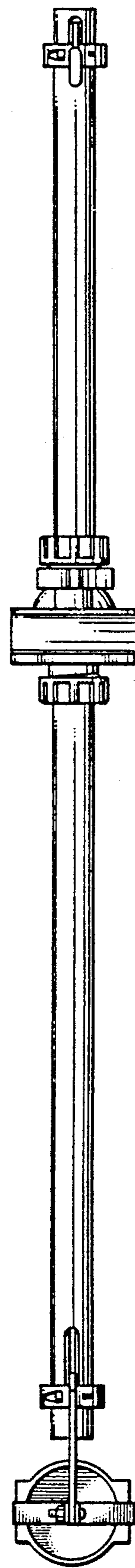


Fig. 6