



US00D325876S

United States Patent [19]

[11] Patent Number: Des. 325,876

Klepper

[45] Date of Patent: ** May 5, 1992

[54] COMBINED WATCH AND CLIP

[76] Inventor: Carl E. Klepper, 445 Brook Ave., Deer Park, N.Y. 11729

[**] Term: 14 Years

[21] Appl. No.: 411,574

[22] Filed: Sep. 22, 1989

[52] U.S. Cl. D10/31; D10/39

[58] Field of Search D10/1-40, D10/122-132; 368/277, 276, 280-282, 285, 10, 11

[56] References Cited

U.S. PATENT DOCUMENTS

D. 292,677	11/1987	Jordi	D10/31
D. 301,120	5/1989	Alviti	D10/31 X
D. 312,415	11/1990	Muller	D10/31
D. 313,758	1/1991	Klose	D10/31
D. 313,759	1/1991	Nomizu	D10/31

OTHER PUBLICATIONS

Jewelers Circular-Keystone-Oct. 1960, p. 79-Watch at top.

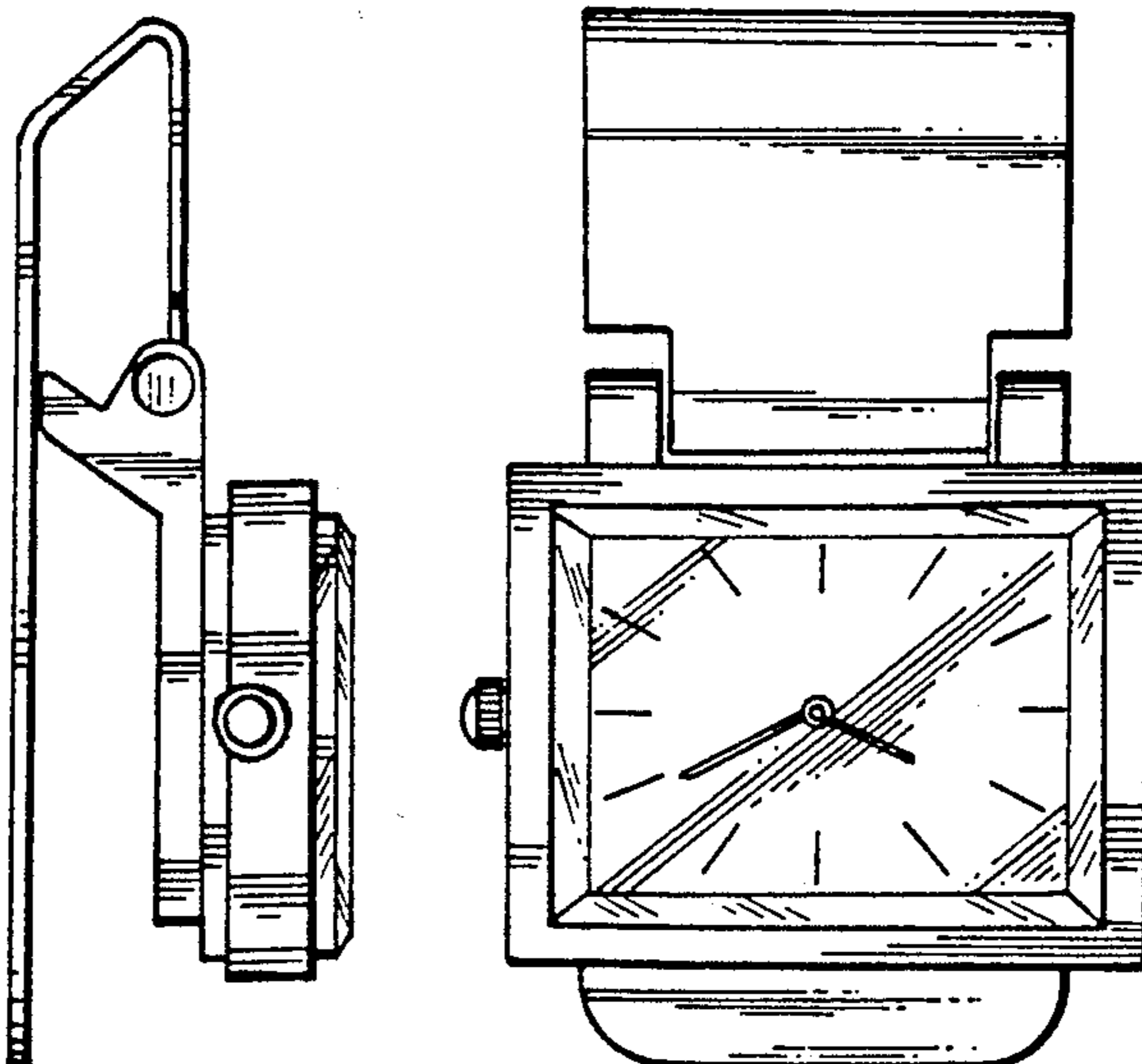
Primary Examiner-Nelson C. Holtje
Attorney, Agent, or Firm-Anthony J. Casella; Gerald E. Hespos

[57] CLAIM

The ornamental design of a combined watch and clip, as shown and described.

DESCRIPTION

FIG. 1 is a front elevational view of a combined watch and clip showing my new design; FIG. 2 is a rear elevational view thereof; FIG. 3 is a left side elevational view thereof; FIG. 4 is a right side elevational view thereof; FIG. 5 is a top plan view thereof; FIG. 6 is a bottom plan view thereof; and, FIG. 7 is a left side elevational view thereof with the watch in an alternative position.



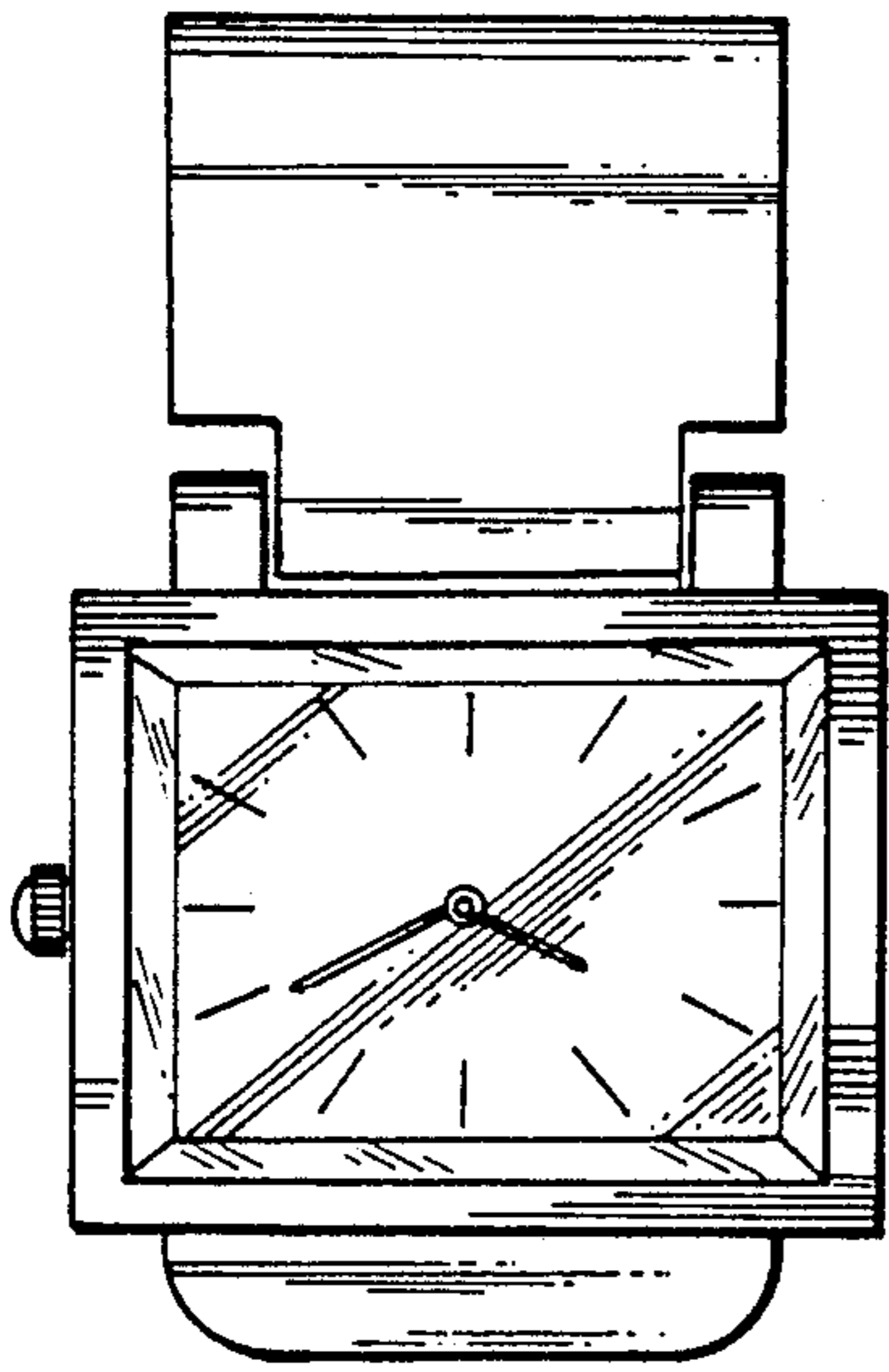


FIG. 1

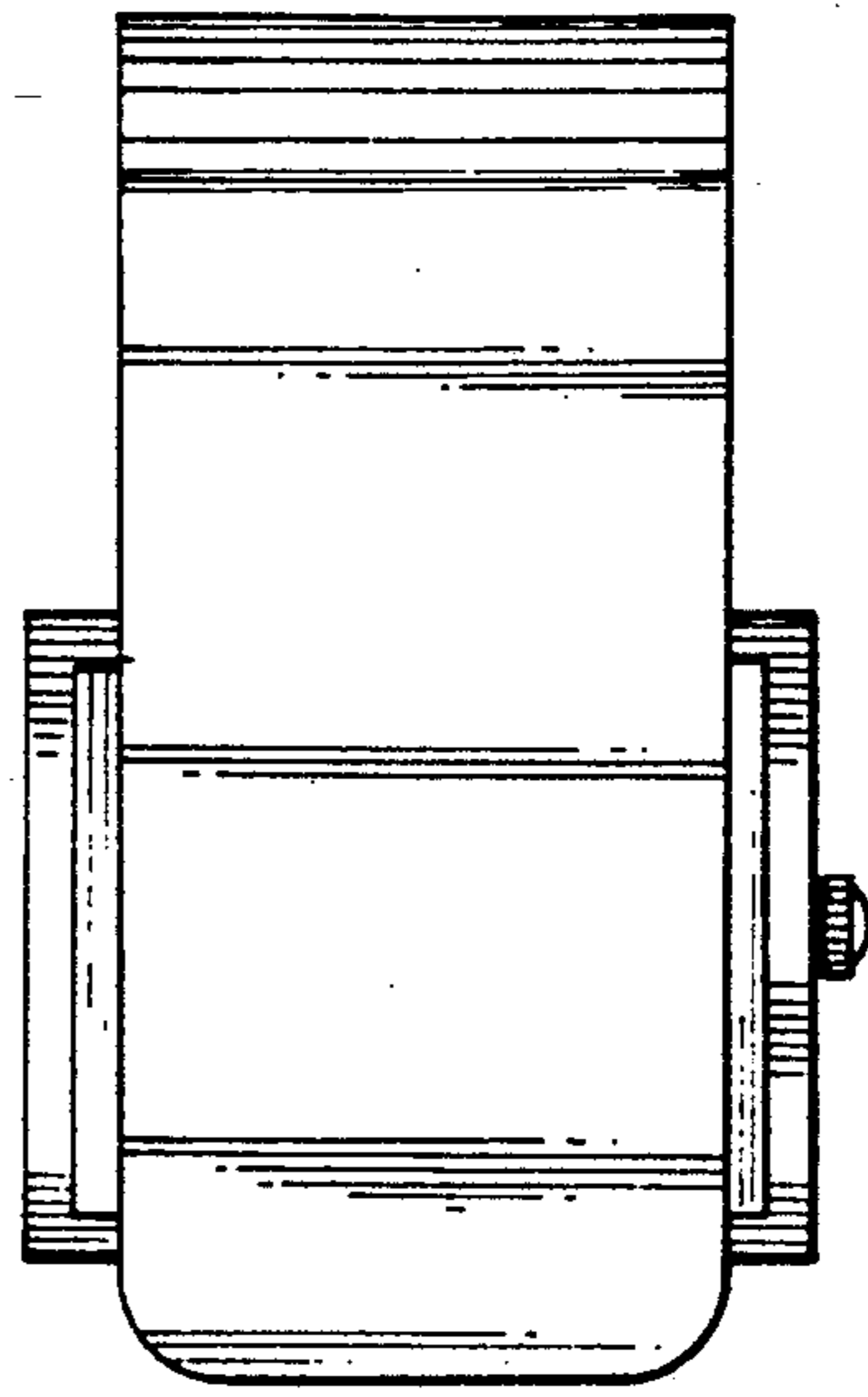


FIG. 2

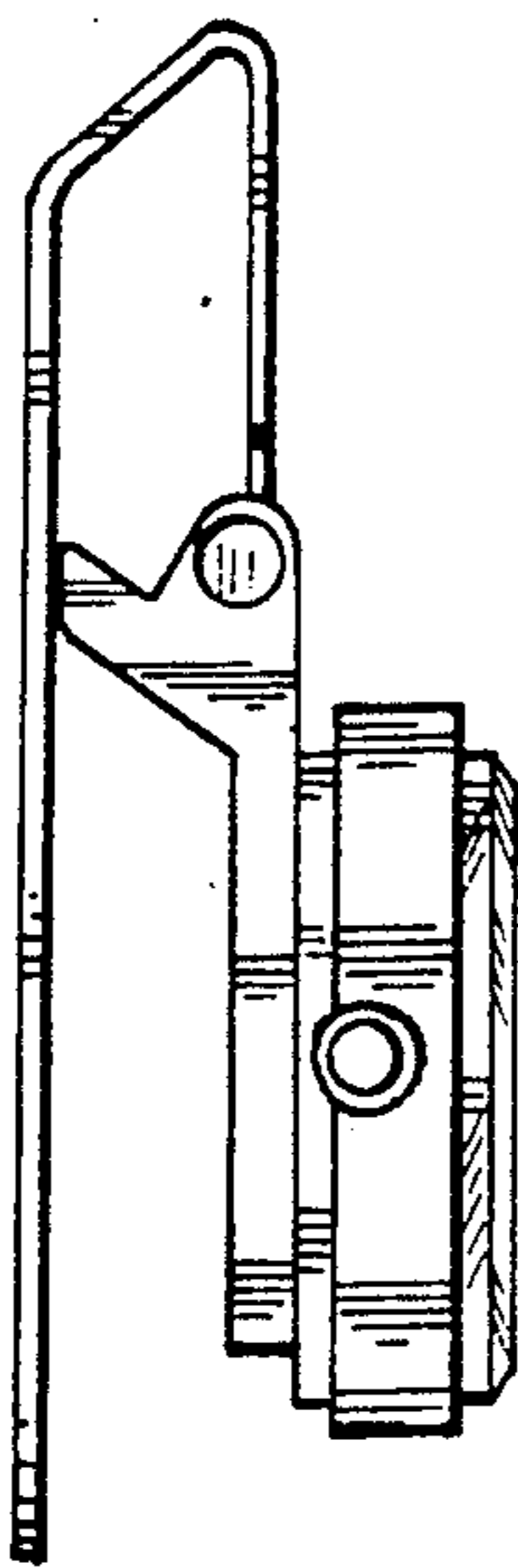


FIG. 3

FIG. 4

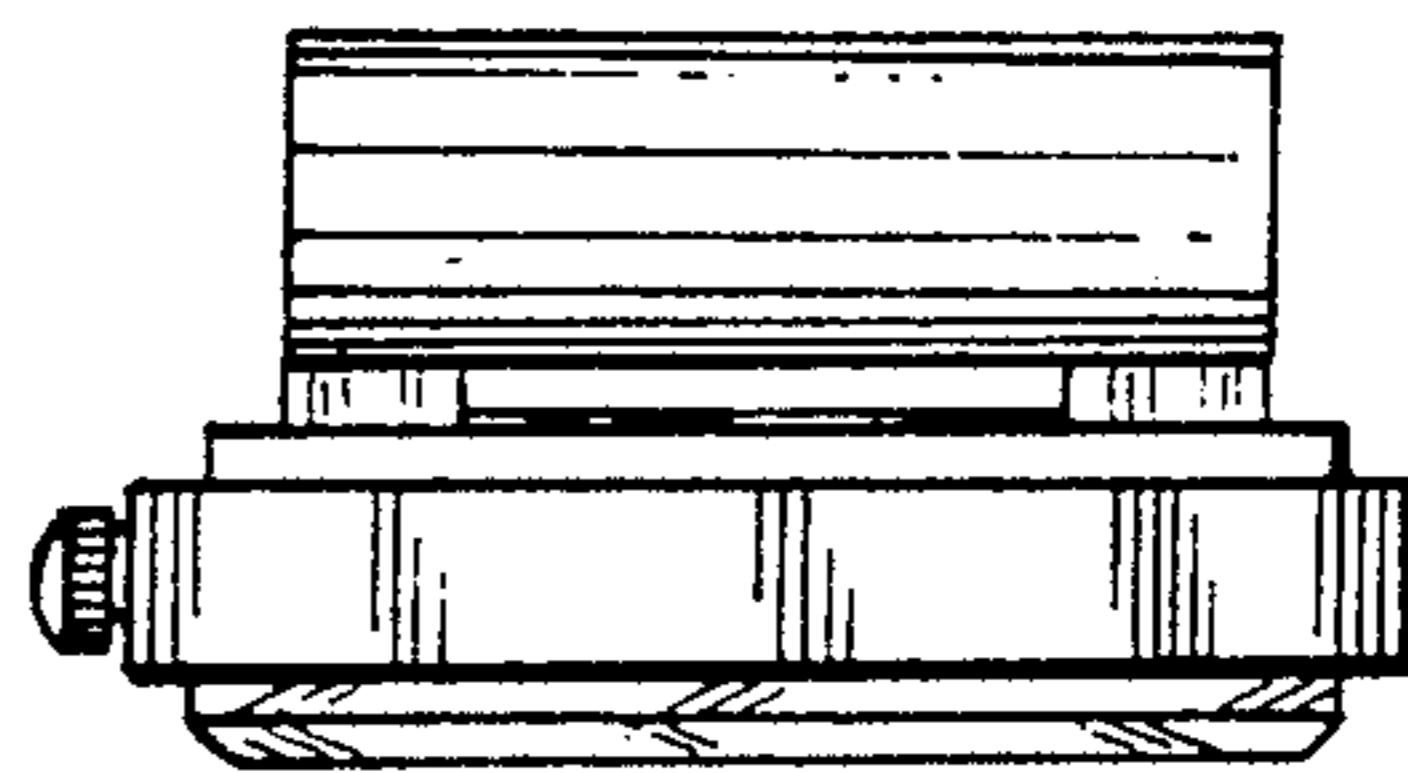
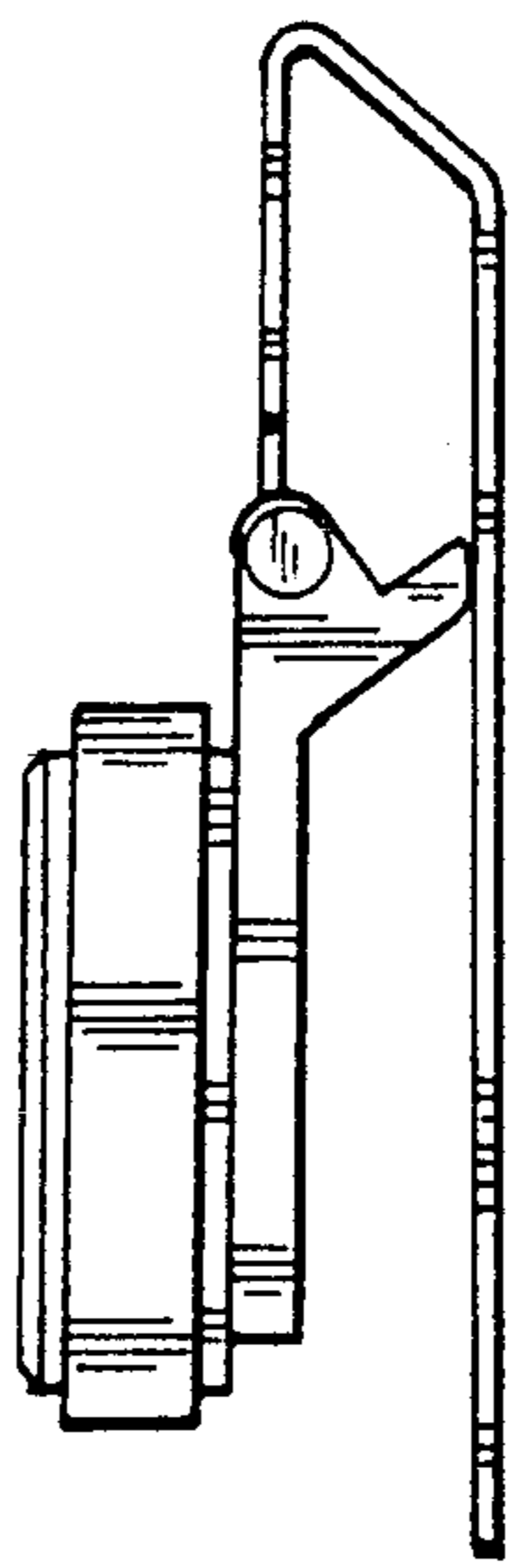


FIG. 5

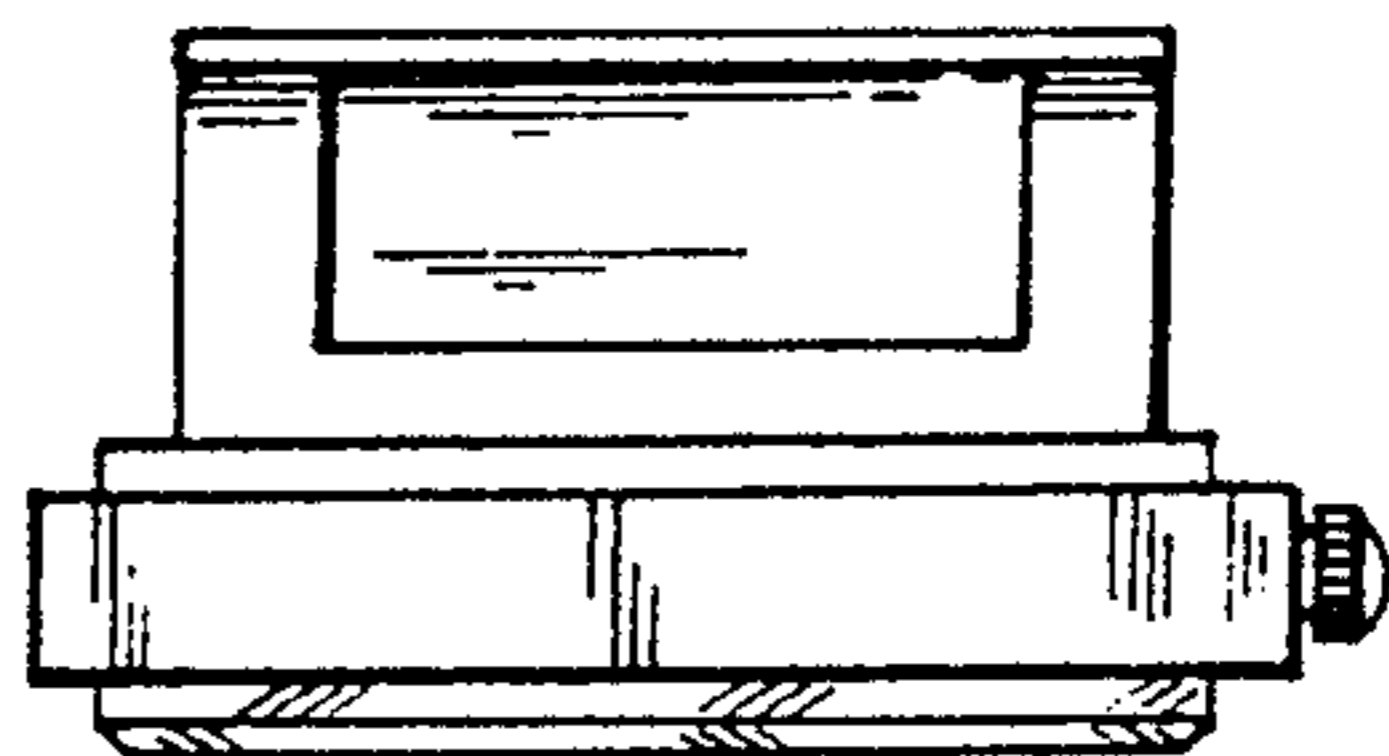


FIG. 6

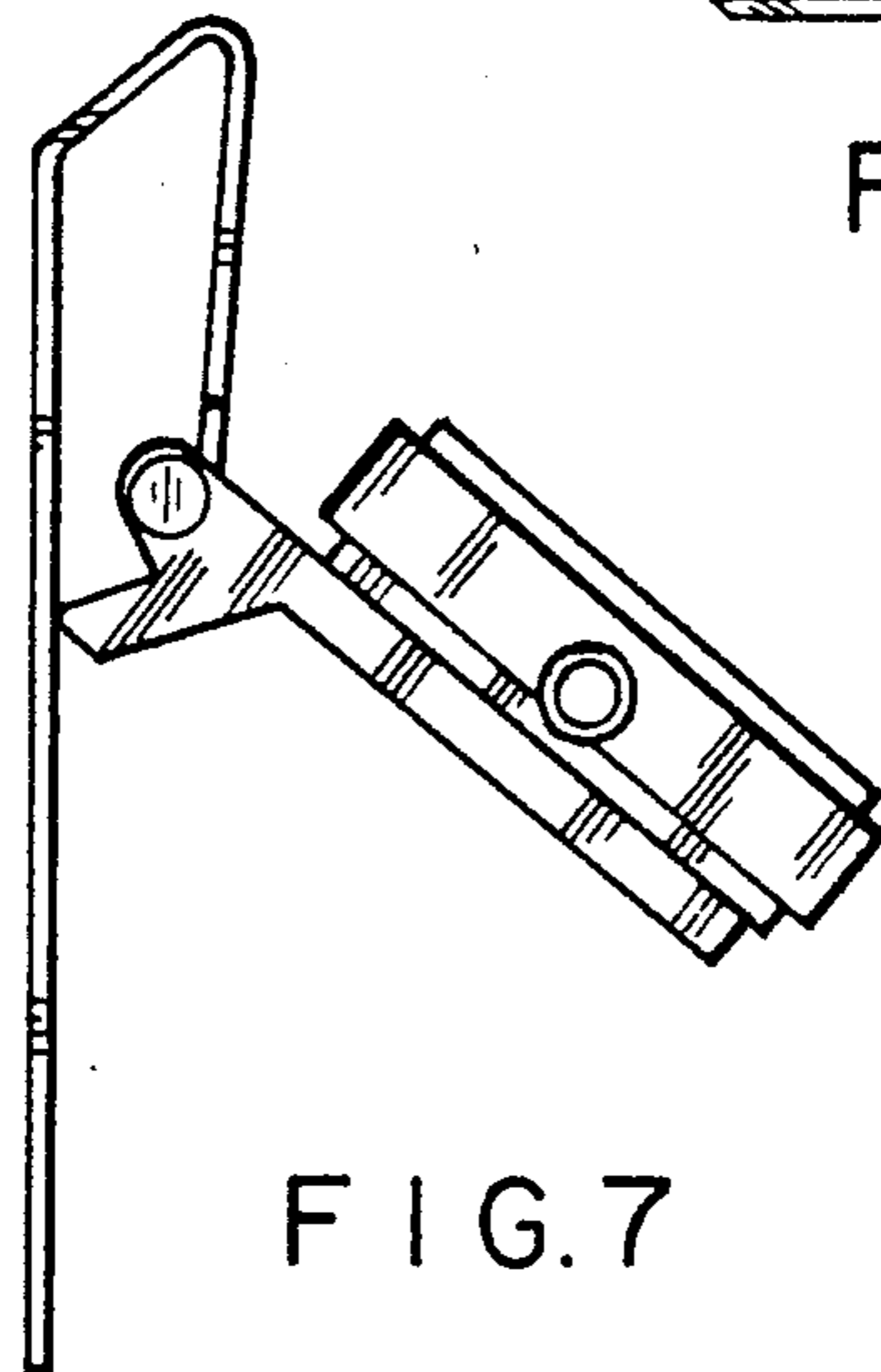


FIG. 7