



US00D325874S

United States Patent [19]

[11] Patent Number: **Des. 325,874**

Luebbers

[45] Date of Patent: **** May 5, 1992**

[54] **DESK CLOCK**

D. 298,837 12/1988 Thomas D10/126 X
D. 320,747 10/1991 Luebbers D10/6

[75] Inventor: **James M. Luebbers, Louisville, Ky.**

[73] Assignee: **Vermont American Corporation,
Louisville, Ky.**

[**] Term: **14 Years**

[21] Appl. No.: **400,049**

[22] Filed: **Aug. 29, 1989**

[52] U.S. Cl. **D10/6; D10/26**

[58] Field of Search **D10/1-40,
D10/122-132; 368/276-277, 280-282, 285**

OTHER PUBLICATIONS

ARCO Cat. #86—"Power Tools & Accessories Hand-
book" Mar. 28, 1986 p. 30—Combination Saw Blade at
top left.

Primary Examiner—Nelson C. Holtje
Attorney, Agent, or Firm—Middleton & Reutlinger

[57] CLAIM

The ornamental design for a desk clock, as shown.

DESCRIPTION

FIG. 1 is a front elevational view of a desk clock show-
ing my new design;

FIG. 2 is a right side elevational view thereof;

FIG. 3 is a left side elevational view thereof;

FIG. 4 is a rear elevational view thereof;

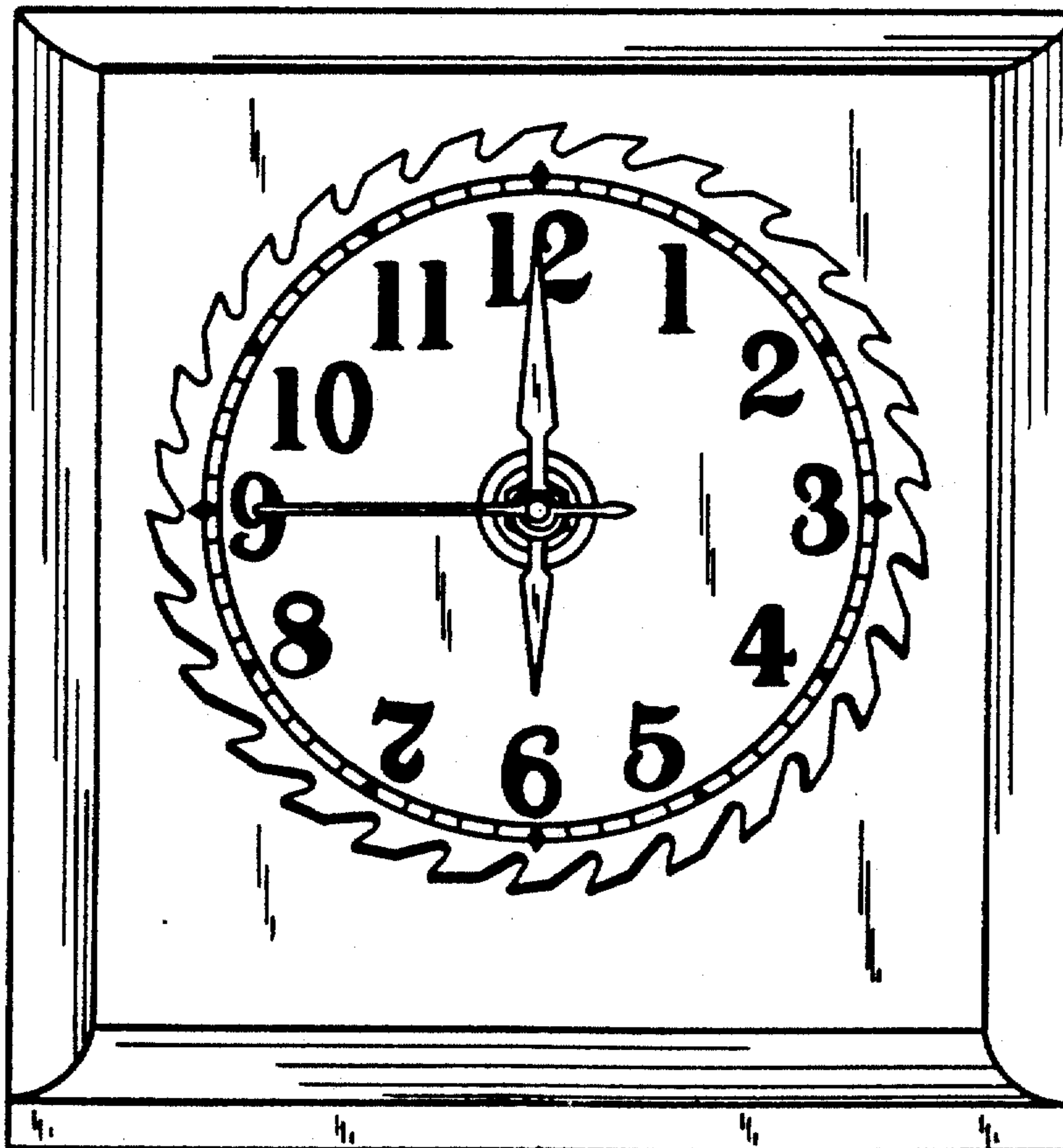
FIG. 5 is a top plan view thereof; and,

FIG. 6 is a bottom plan view thereof.

[56] References Cited

U.S. PATENT DOCUMENTS

D. 129,998	10/1941	Lamothe	D10/26 X
D. 142,431	9/1945	Lewis	D10/26 X
D. 201,452	6/1965	Shipley	D10/26
D. 201,453	6/1965	Shipley	D10/26
D. 282,912	3/1986	Clepea	D10/6



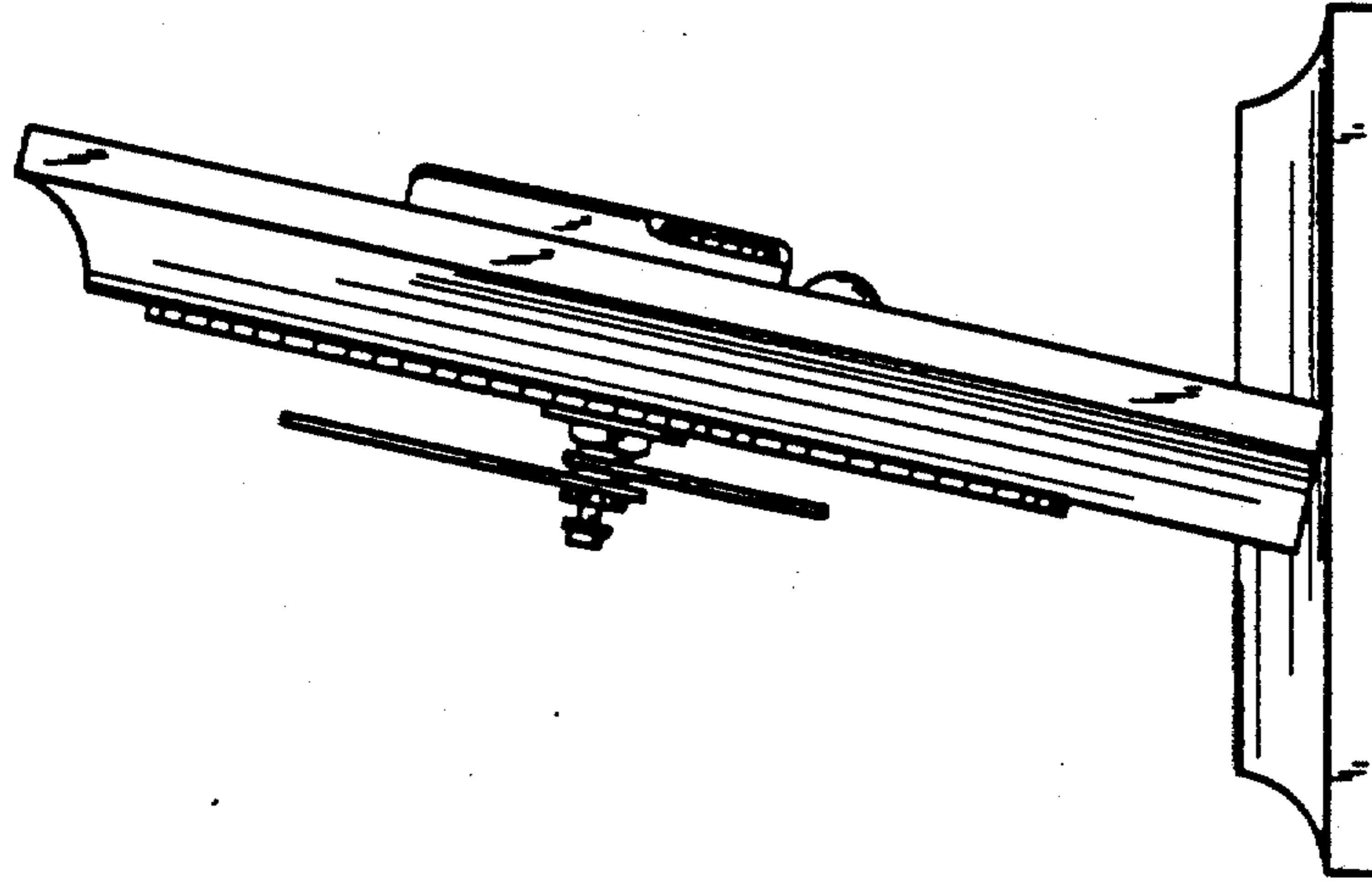


FIG. 2

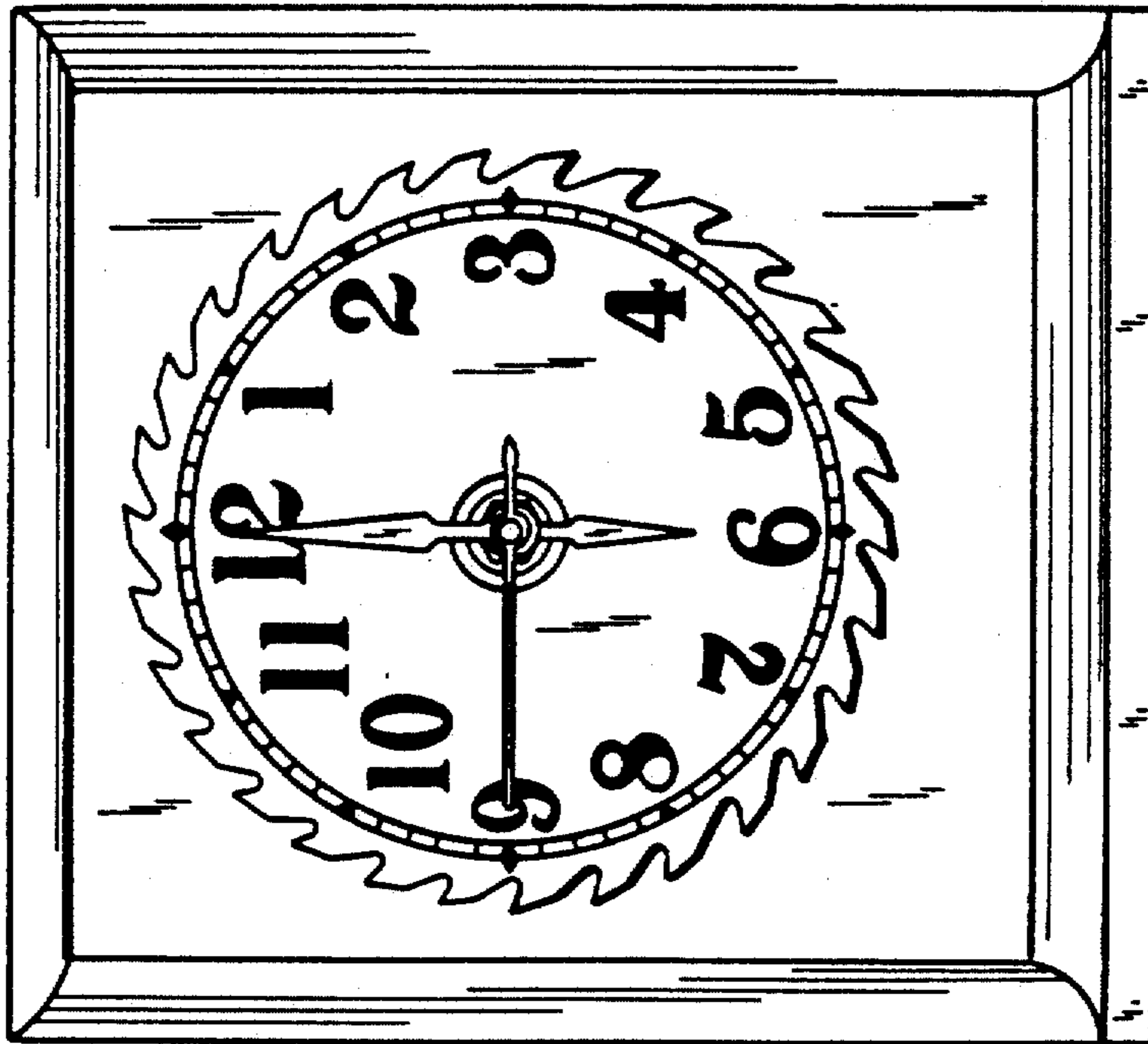


FIG. 1

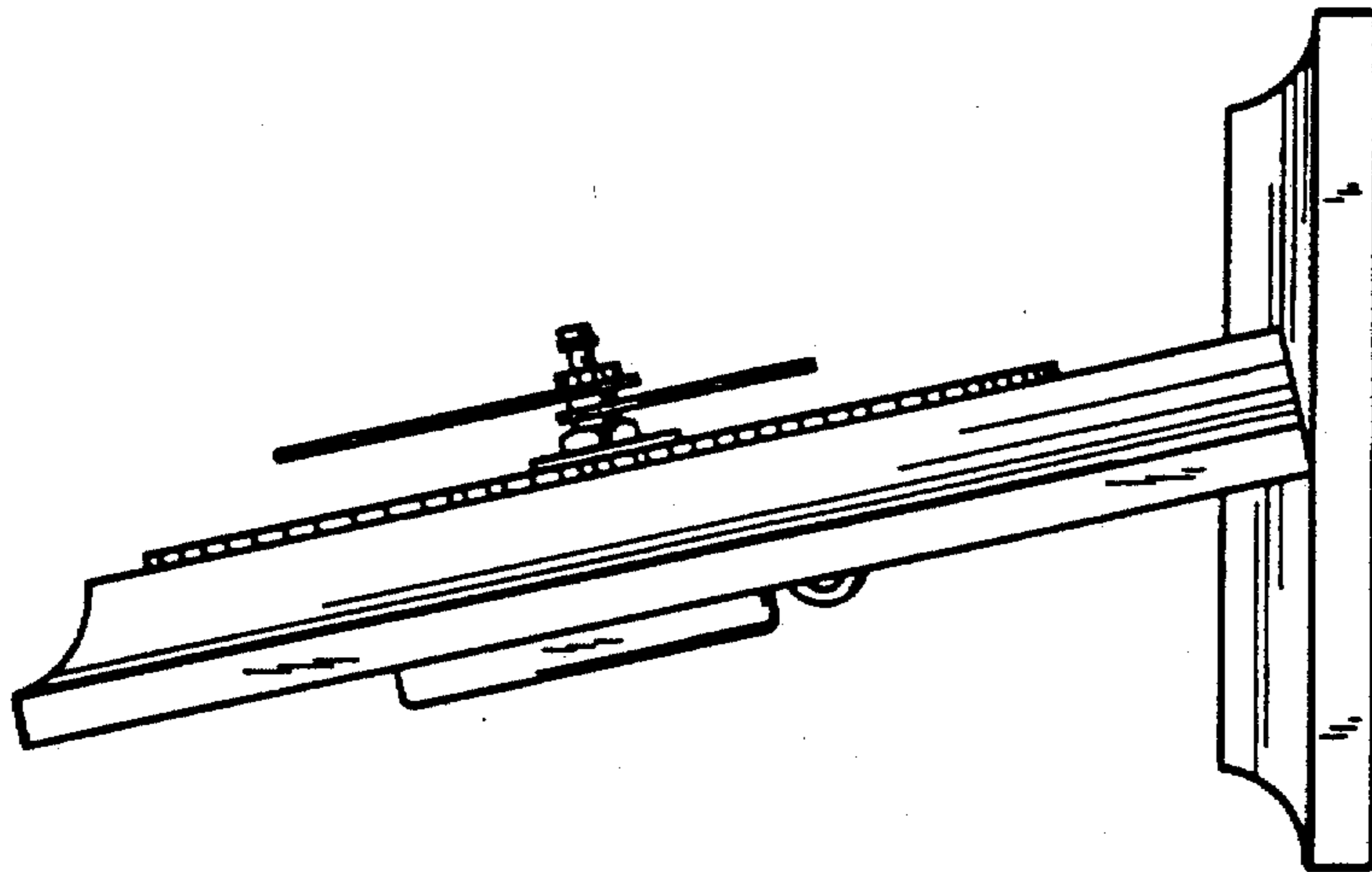


FIG. 3

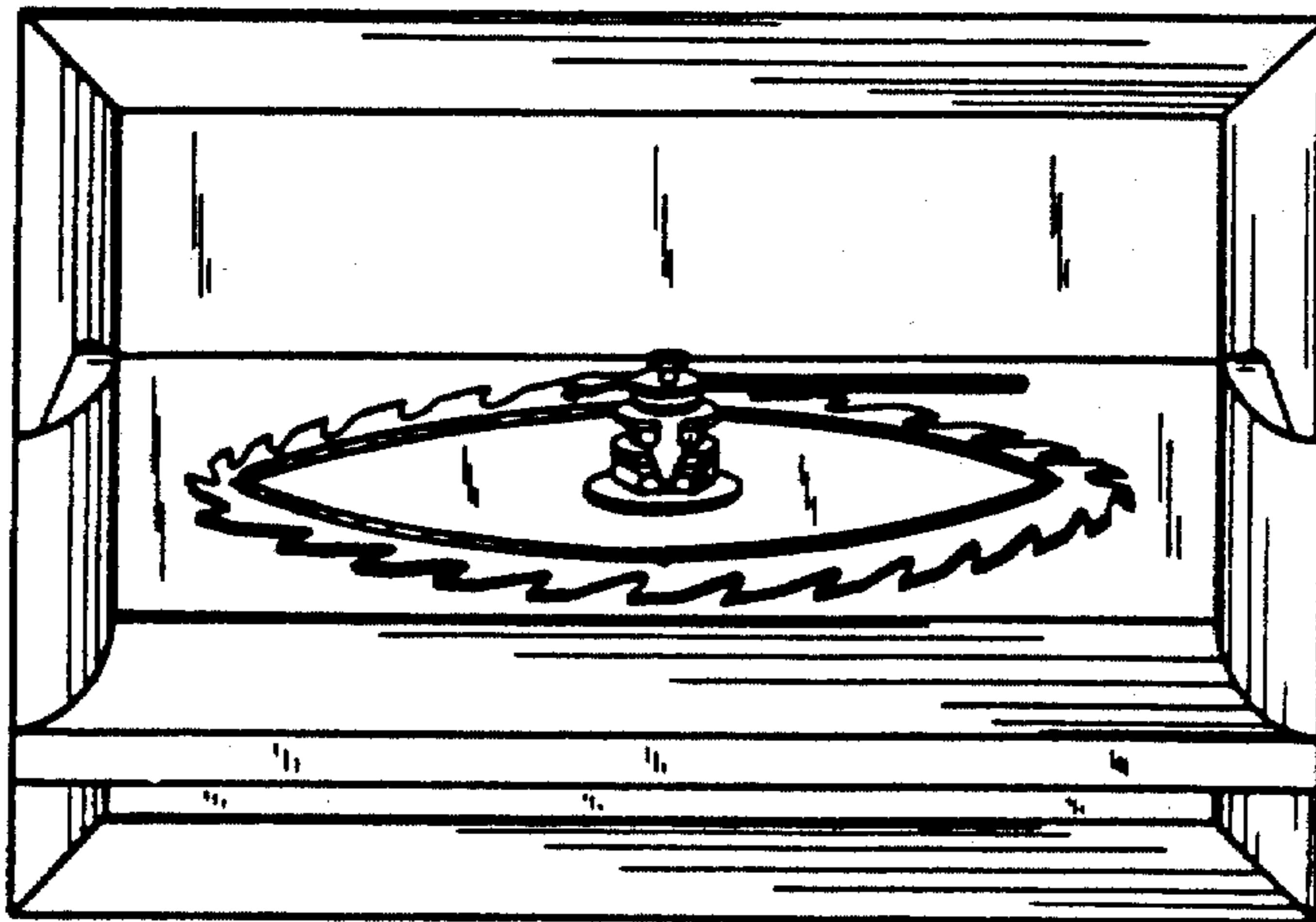


FIG. 5

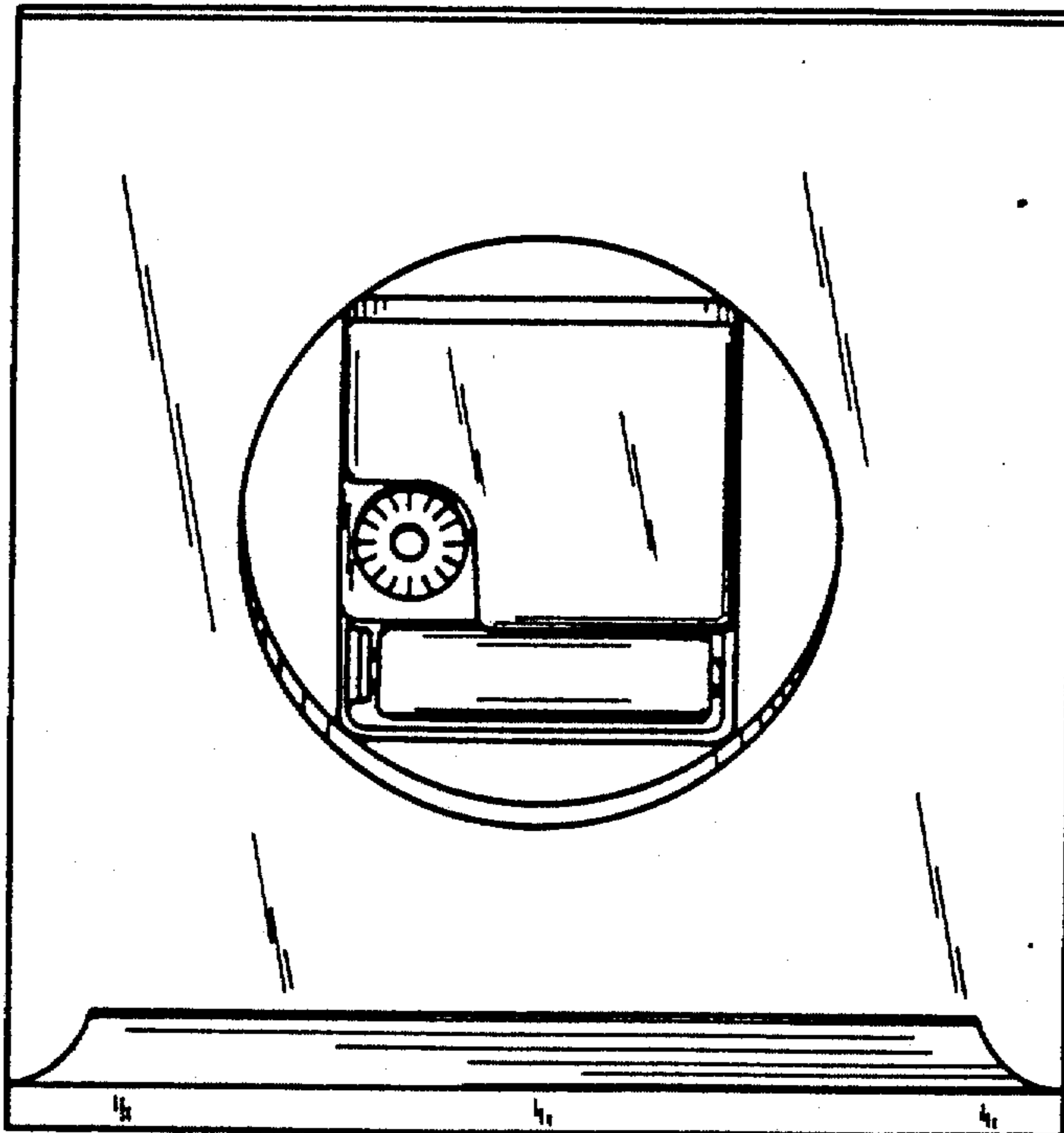


FIG. 4

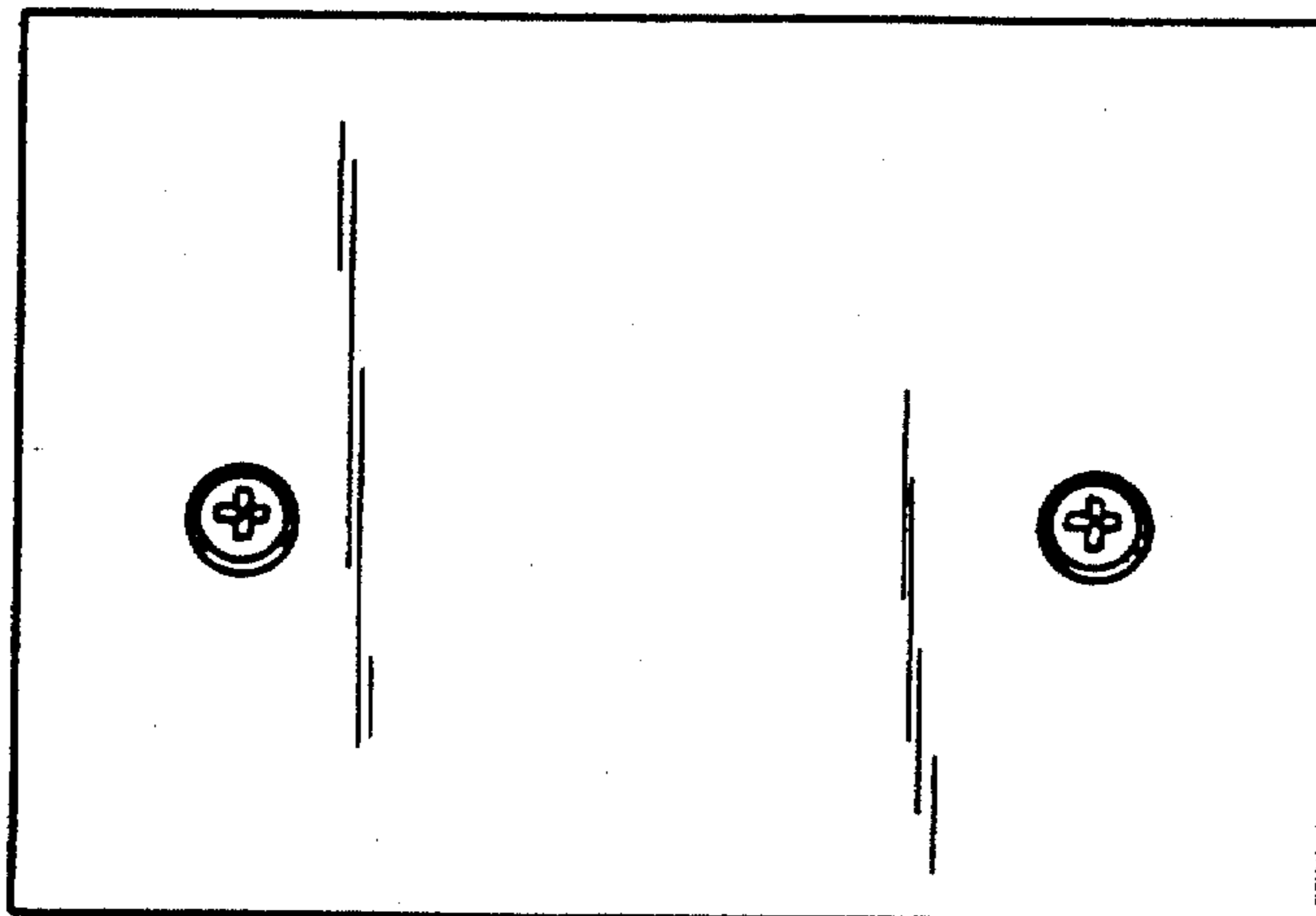


FIG. 6

UNITED STATES PATENT AND TRADEMARK OFFICE
CERTIFICATE OF CORRECTION

PATENT NO. : Des. 325,874

DATED : May 5, 1992

INVENTOR(S) : James M. Luebbers

It is certified that error appears in the above-identified patent and that said Letters Patent is hereby corrected as shown below:

On the title page, after [22] Filed: Aug. 29, 1989, insert:

Related U.S. Application Data

[63] Continuation-in-part of Ser. No. 07/222,229, Jul. 21, 1988, now U.S. Patent No. Des. 320,747, Oct. 15, 1991.

Signed and Sealed this
Twelfth Day of October, 1993



BRUCE LEHMAN

Commissioner of Patents and Trademarks

Attest:

Attesting Officer