



US00D325869S

United States Patent [19]

Rubenstein et al.

[11] Patent Number: Des. 325,869

[45] Date of Patent: ** May 5, 1992

[54] TOGGLE ANCHOR

[75] Inventors: Saul Rubenstein, Melville; Michael Hyner; Dieter Neumann, both of Dix Hills, all of N.Y.

[73] Assignee: Admiral Molding Corporation, Hauppauge, N.Y.

[**] Term: 14 Years

[21] Appl. No.: 381,564

[22] Filed: Jul. 18, 1989

[52] U.S. Cl. D8/385

[58] Field of Search D8/385; 411/54, 55, 411/60, 71, 74, 340

[56] References Cited

U.S. PATENT DOCUMENTS

3,651,734	3/1972	McSherry	85/80
4,174,910	11/1979	McSherry et al.	402/19
4,181,061	1/1980	McSherry	85/80
4,221,154	9/1980	McSherry	85/80
4,673,150	6/1987	McSherry et al.	248/73
4,704,057	11/1987	McSherry	411/55
4,712,956	12/1987	Bond	411/55
4,752,170	6/1988	McSherry et al.	411/60
4,828,439	5/1989	Gianuzzi	411/38
4,878,790	11/1989	McSherry et al.	411/340

OTHER PUBLICATIONS

Representative Literature of Mechanical Plastics Toggler ©1989.

U.S. Trademark Registration No. 1,510,979; Nov. 1, 1988.

U.S. Trademark Registration No. 1,248,999; Aug. 23, 1983.

Primary Examiner—B. J. Bullock

Attorney, Agent, or Firm—Blum Kaplan

[57] CLAIM

The ornamental design for a toggle anchor, as shown and described.

DESCRIPTION

FIG. 1 is a perspective view of a first toggle anchor showing our new design;

FIG. 2 is a top plan view thereof;

FIG. 3 is a front elevational view thereof, the rear elevational view thereof being identical;

FIG. 4 is a bottom plan view thereof;

FIG. 5 is a right side elevational view thereof, the left side elevational view thereof being identical;

FIG. 6 is a perspective view of a second embodiment of the design of FIG. 1;

FIG. 7 is a top plan view of FIG. 6;

FIG. 8 is a front elevational view of FIG. 6, the rear elevational view thereof being identical;

FIG. 9 is a bottom plan view of FIG. 6; and,

FIG. 10 is a right side elevational view of FIG. 6, the left side elevational view thereof being identical.

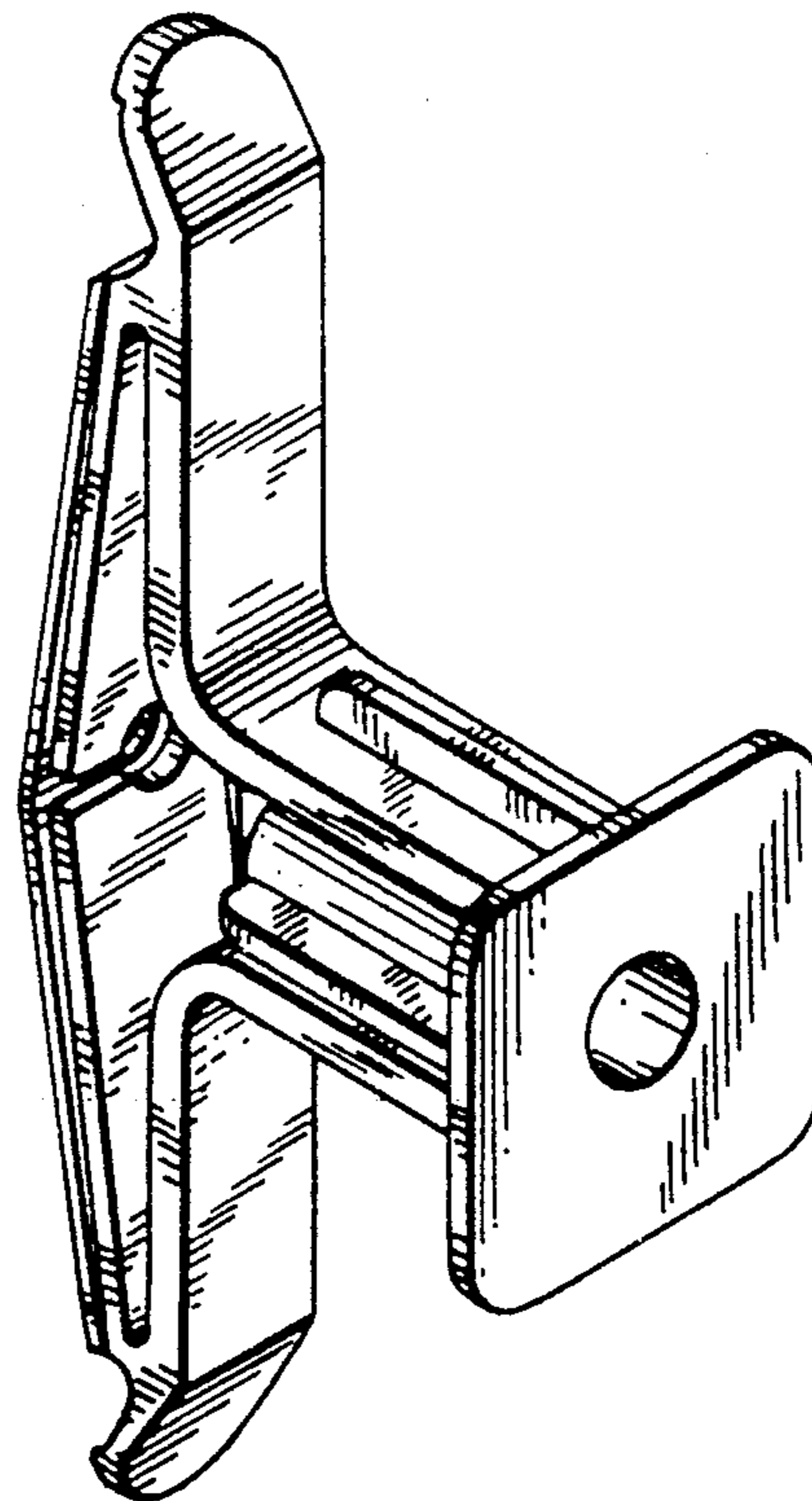
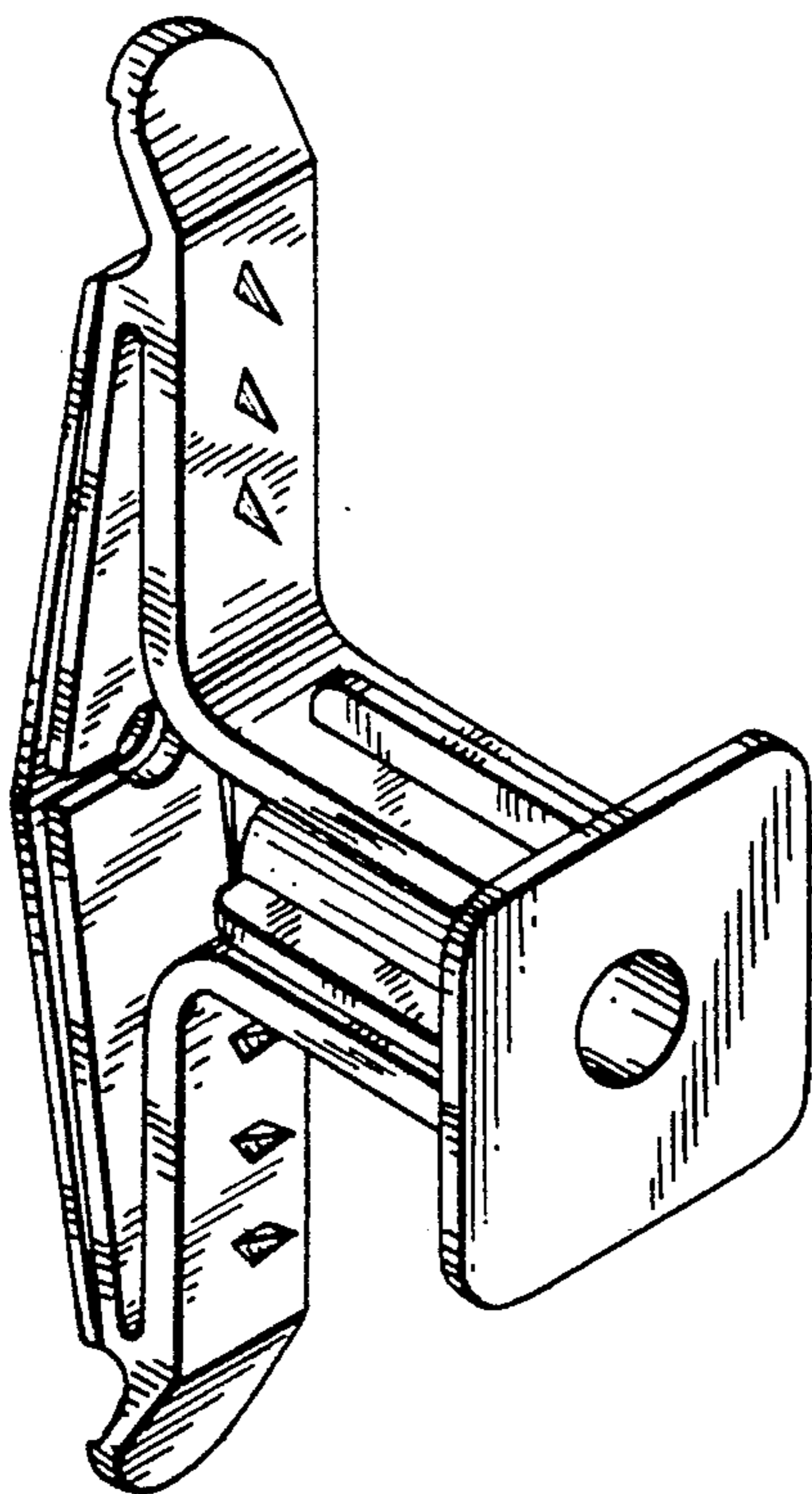


FIG. 1

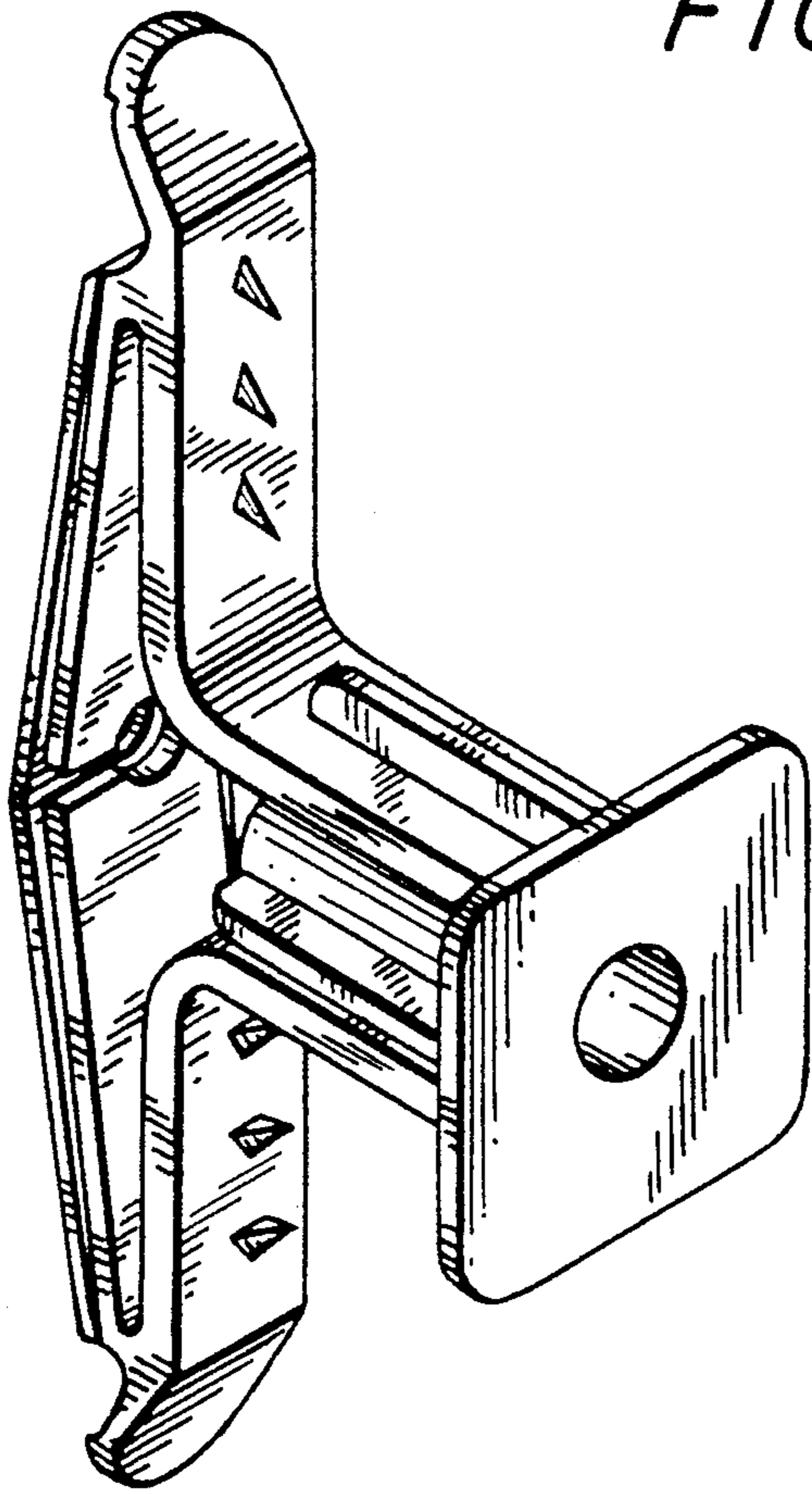


FIG. 2

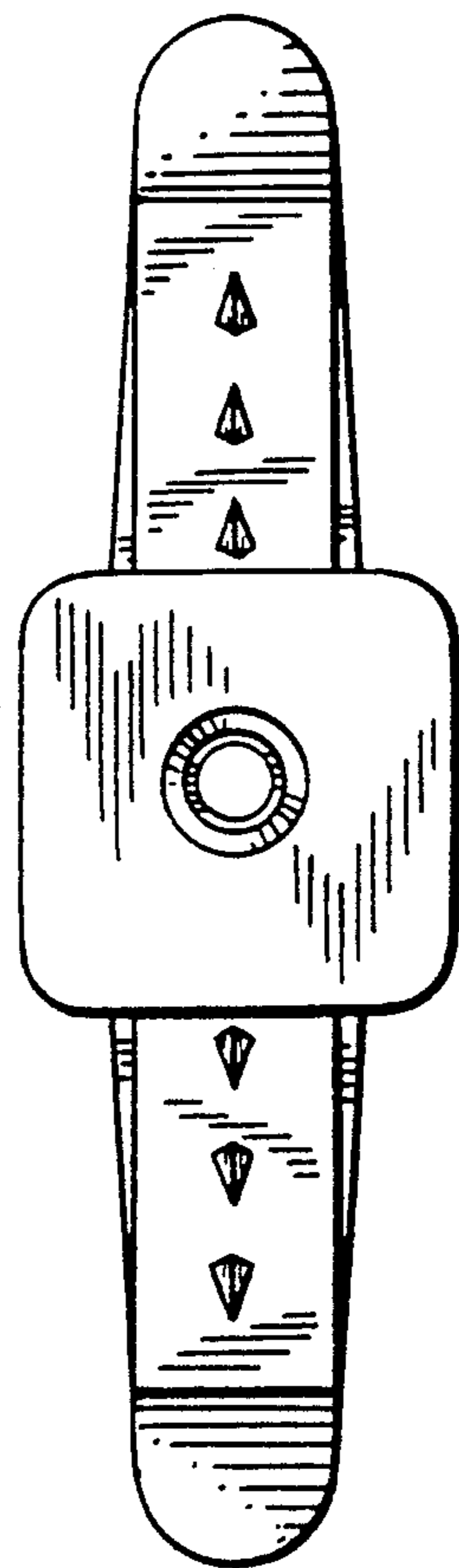


FIG. 3

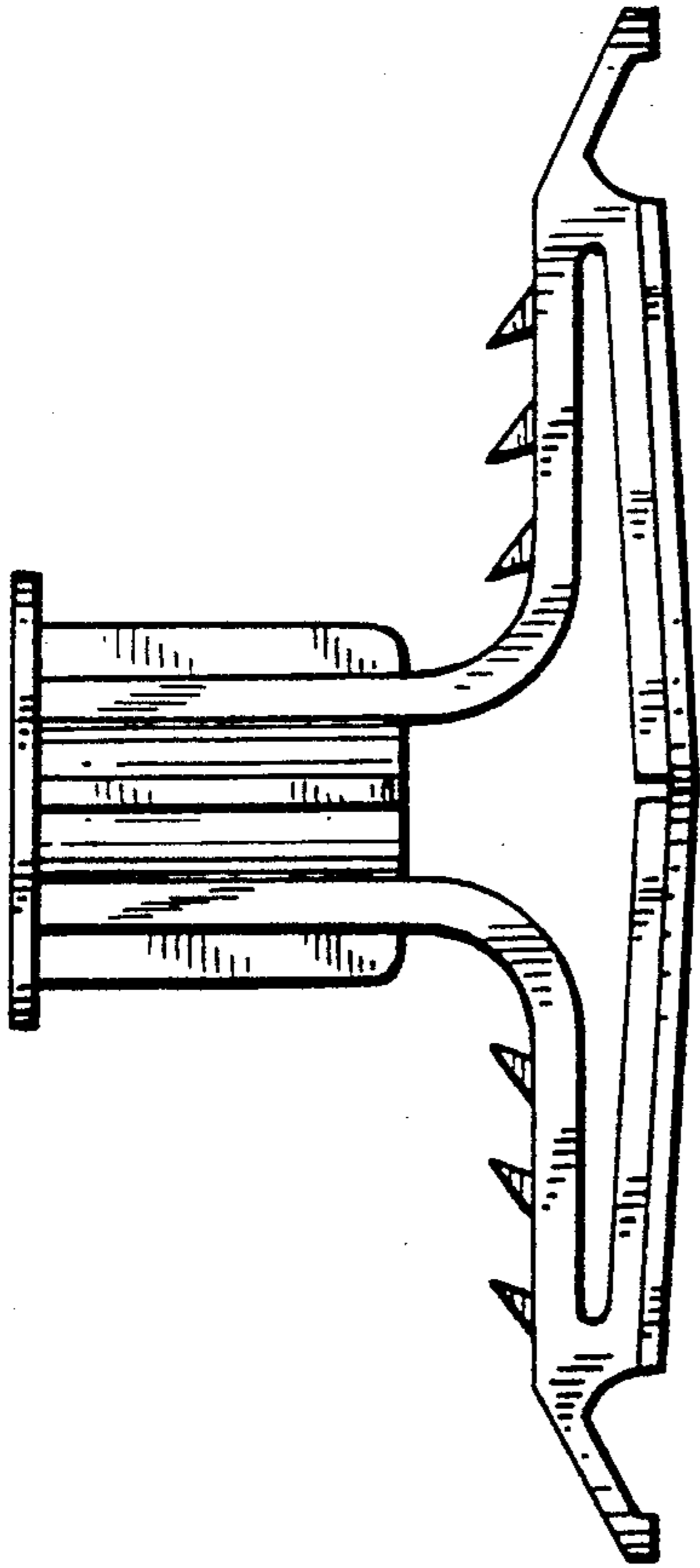


FIG. 4

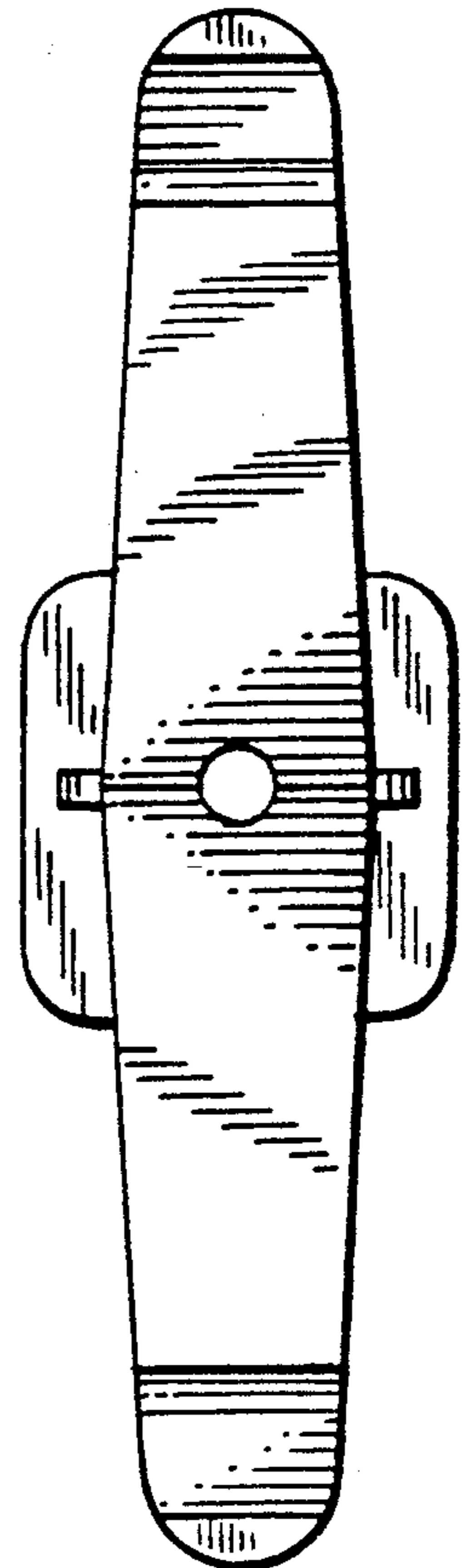


FIG. 5

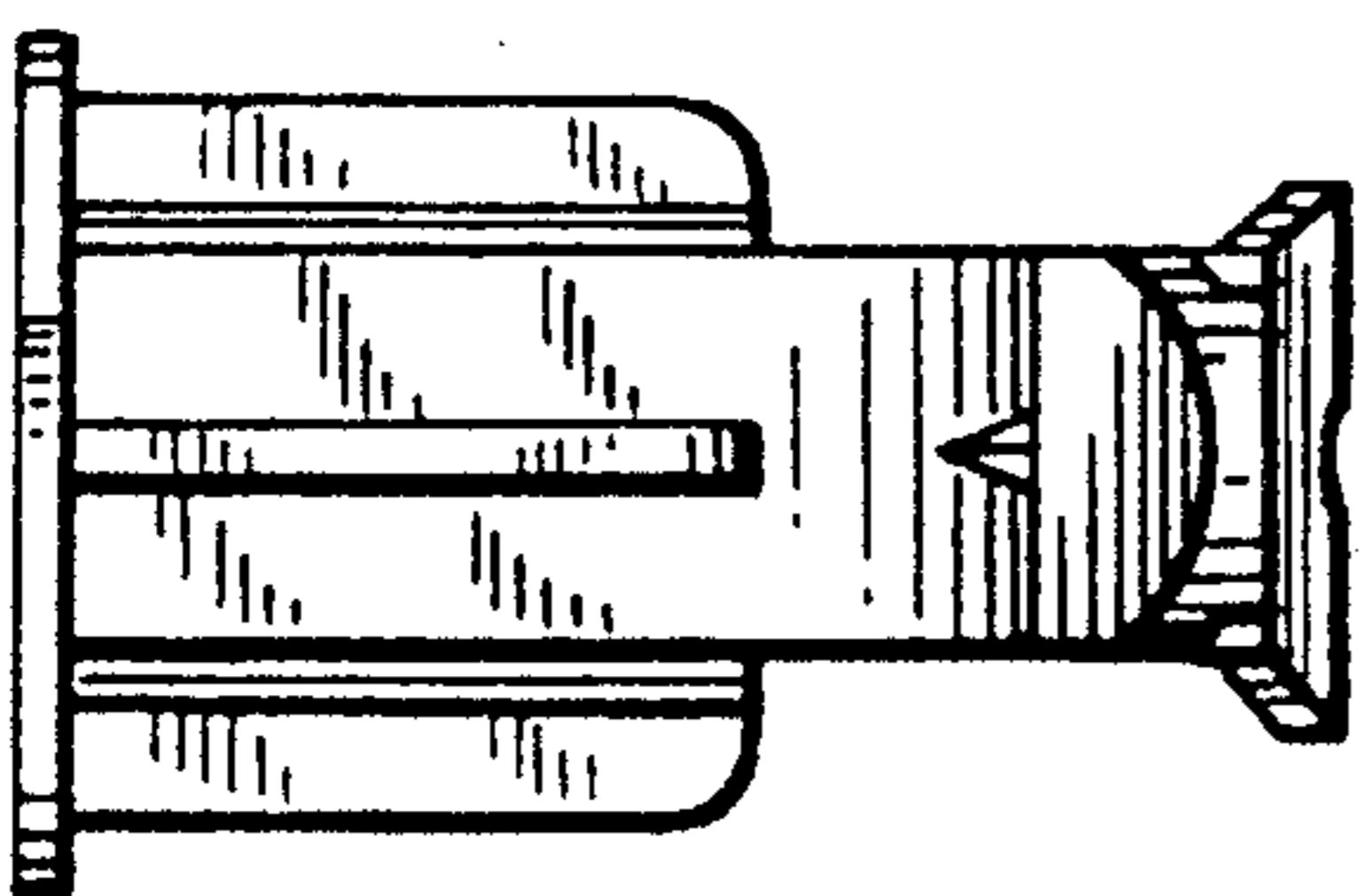


FIG. 6

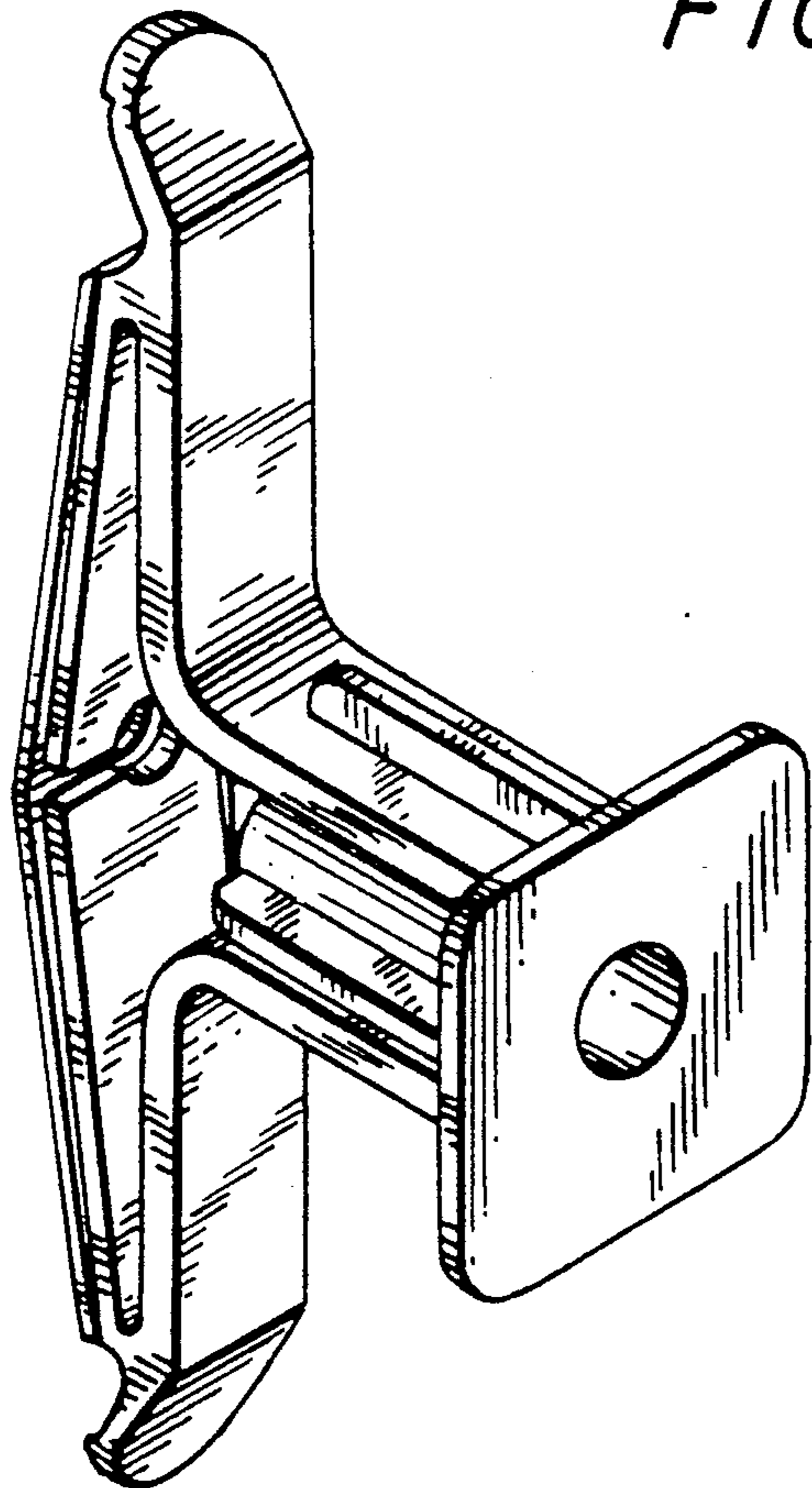


FIG. 7

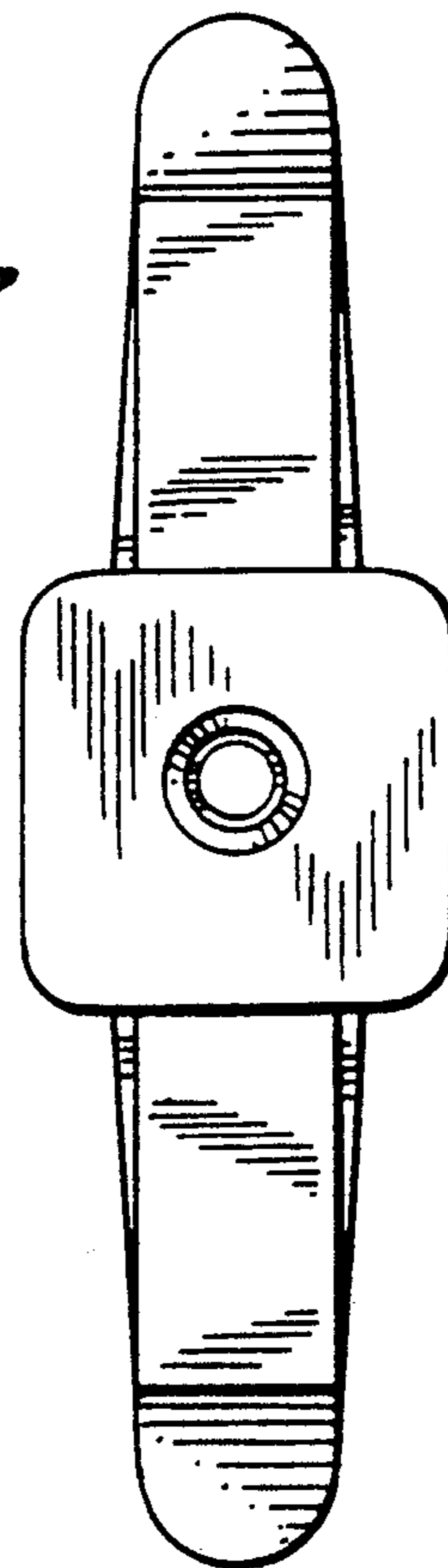


FIG. 8

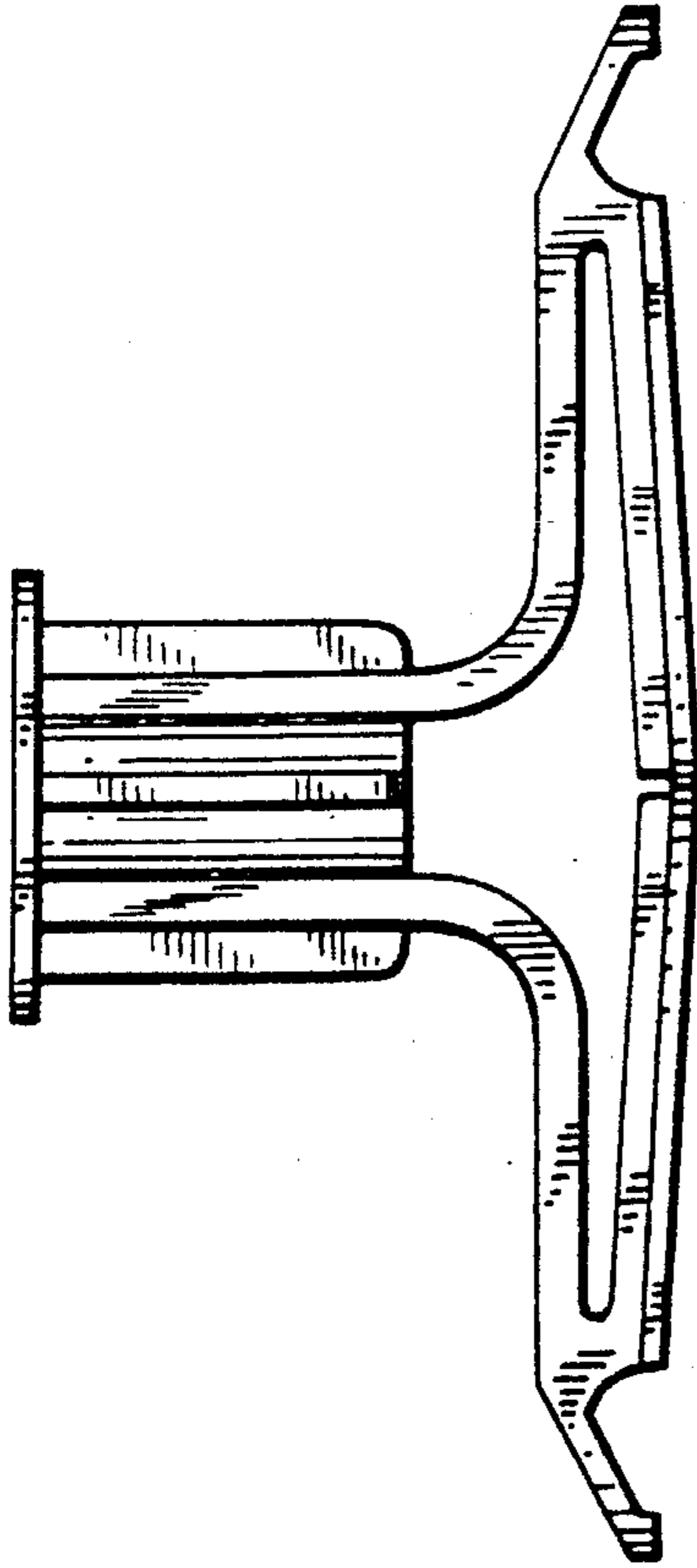


FIG. 9

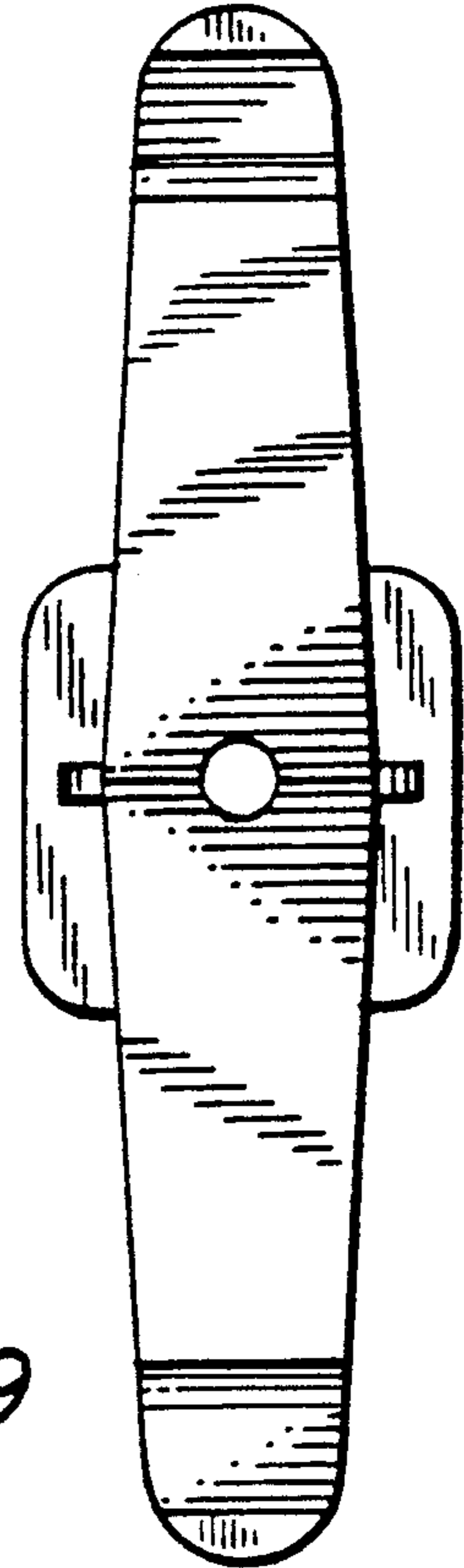
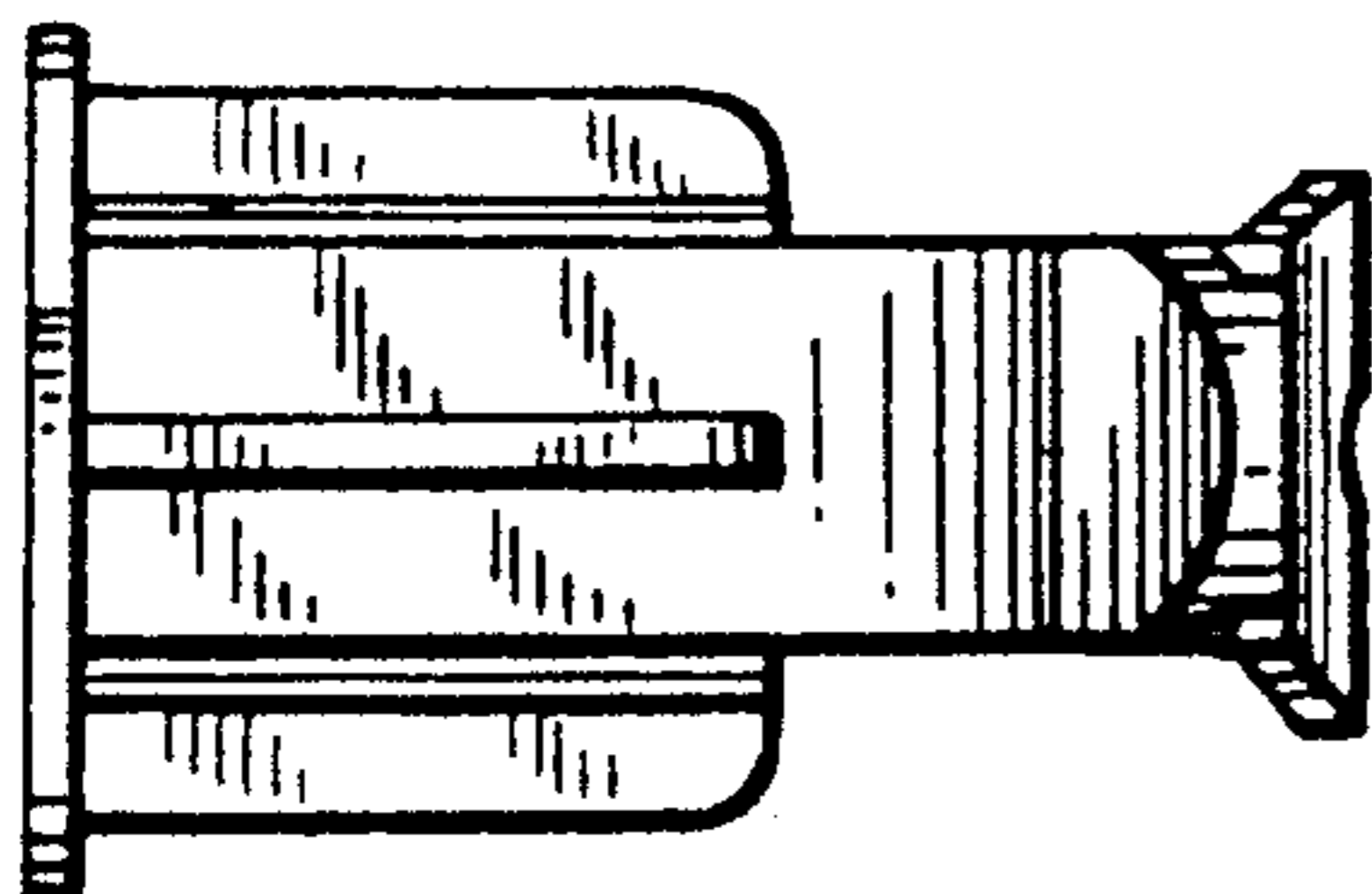


FIG. 10



UNITED STATES PATENT AND TRADEMARK OFFICE
CERTIFICATE OF CORRECTION

PATENT NO. : Des. 325,869

DATED : May 5, 1992

INVENTOR(S) : Saul Rubinstein, Michael Wyner and Dieter Neumann

It is certified that error appears in the above-identified patent and that said Letters Patent is hereby corrected as shown below:

At the cover page, line 2, change "Rubenstein" to --Rubinstein--;
and

After "[75] Invenors:" change "Saul Rubenstein" to
--Saul Rubinstein--.

Signed and Sealed this
Tenth Day of August, 1993

Attest:



MICHAEL K. KIRK

Attesting Officer

Acting Commissioner of Patents and Trademarks