



US00D325868S

# United States Patent [19]

[11] Patent Number: Des. 325,868

Bartok

[45] Date of Patent: \*\* May 5, 1992

## [54] COMPUTER MONITOR SUPPORT ARM

[75] Inventor: Stephen Bartok, Rancho Palos Verdes, Calif.

[73] Assignee: Rubbermaid Incorporated, Wooster, Ohio

[\*\*] Term: 14 Years

[21] Appl. No.: 562,969

[22] Filed: Aug. 6, 1990

[52] U.S. Cl. .... D8/380

[58] Field of Search ..... D6/512, 553, 567, 574; D8/355, 363, 380, 373; 248/637, 674, 157, 423, 425, 429, 176-183, 225.31, 241, 274-278, 917, 919, 371, 280.1, 185

## [56] References Cited

### U.S. PATENT DOCUMENTS

D. 206,384	12/1966	Lindenmuth	.....	D8/355
D. 269,945	8/1983	Carney	.....	D8/355
D. 275,431	9/1984	Usab	.....	D6/429
D. 309,562	7/1990	Boscacci et al.	.....	D8/373
D. 314,505	2/1991	Chen	.....	D8/380
4,395,010	7/1983	Helgeland et al.	.....	248/371
4,453,687	6/1984	Sweere	.....	248/183
4,562,987	1/1986	Leeds et al.	.....	248/278
4,565,343	1/1986	Lake, Jr. et al.	.....	248/346
4,575,033	3/1986	Henneberg et al.	.....	248/185
4,589,621	5/1986	Hunt et al.	.....	248/586
4,591,122	5/1986	Kreuzer	.....	248/280.1
4,607,897	8/1986	Schwartz	.....	312/209
4,687,167	8/1987	Skalka et al.	.....	248/183 X
4,708,312	11/1987	Rohr	.....	248/280.1
4,783,036	11/1988	Vossoughi	.....	248/280.1

## OTHER PUBLICATIONS

P. 43, Design News, "AnthroArm GT" Monitor Support Publication date Mar. 13, 1989.

Sell Sheet, MicroComputer Accessories, Inc., Monitor Support, Publication date Sep. 1989.

Sell Sheet, MicroComputer Accessories, Inc., "CRT Valet" Publicatio Date, Sep., 1989.

Sell Sheet, MicroComputer Accessories, Inc., "CRT Riser", Publication date Feb. 1990.

Sell Sheet, MicroComputer Accessories, Inc., "Full Flex Valet", Publication date Feb., 1990.

Sell Sheet, MicroComputer Accessories, Inc., "Tilt'n Turn CRT Stand", Publication date Apr. 1989.

Primary Examiner—Brian N. Vinson

Attorney, Agent, or Firm—Richard B. O'Planick

## [57] CLAIM

The ornamental design for a computer monitor support arm, as shown and described.

## DESCRIPTION

FIG. 1 is a top, front, and left side perspective view of a computer monitor support arm showing my new design;

FIG. 2 is a front elevational view thereof;

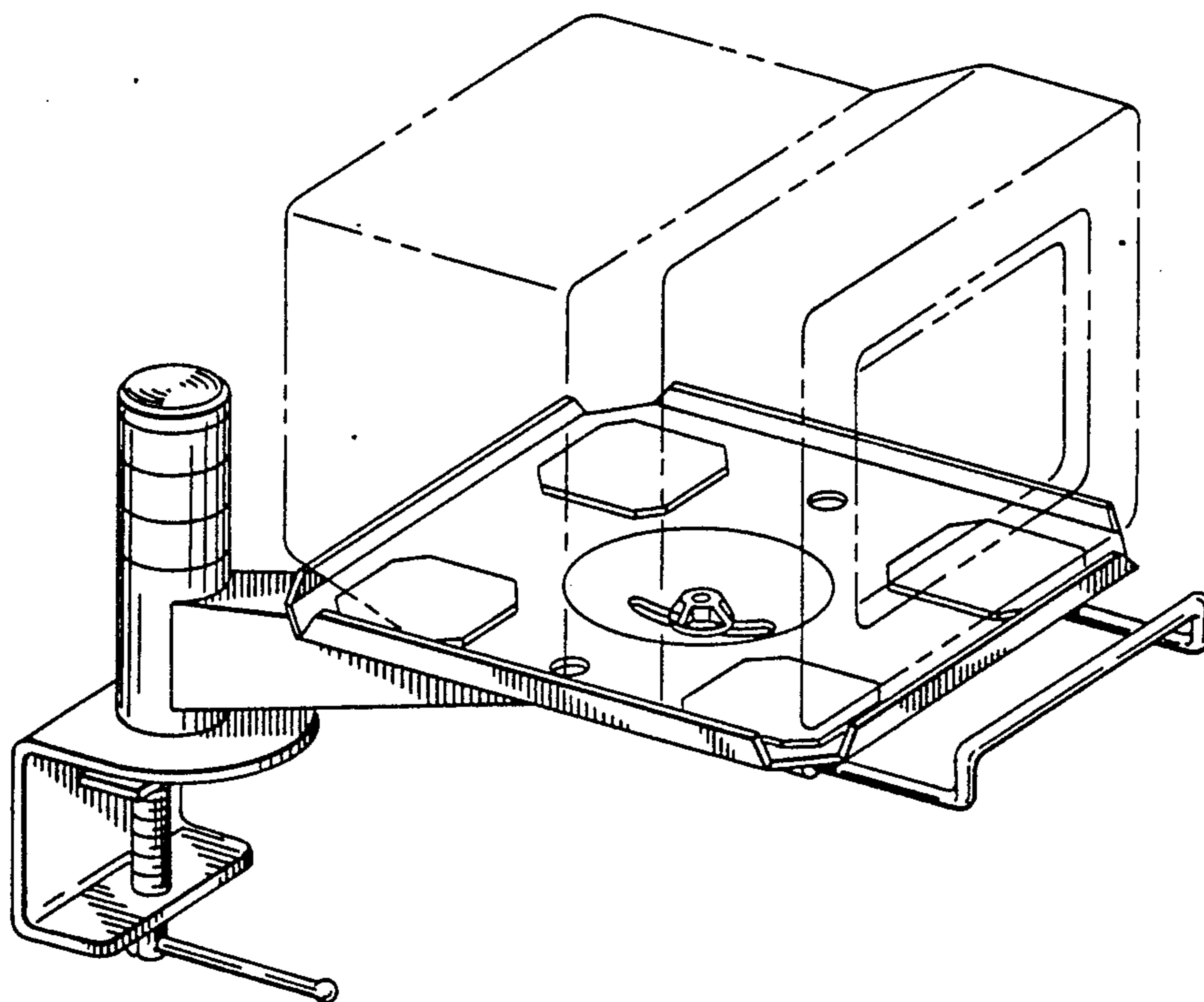
FIG. 3 is a top plan view thereof;

FIG. 4 is a left side elevational view thereof, the right side being a mirror image of that shown;

FIG. 5 is a bottom plan view thereof;

FIG. 6 is a rear elevational view thereof; and,

FIG. 7 is a top, front, and left side perspective view thereof, the broken-line disclosure fo a computer monitor being for illustrative purposes only and forming no part of the claimed design.



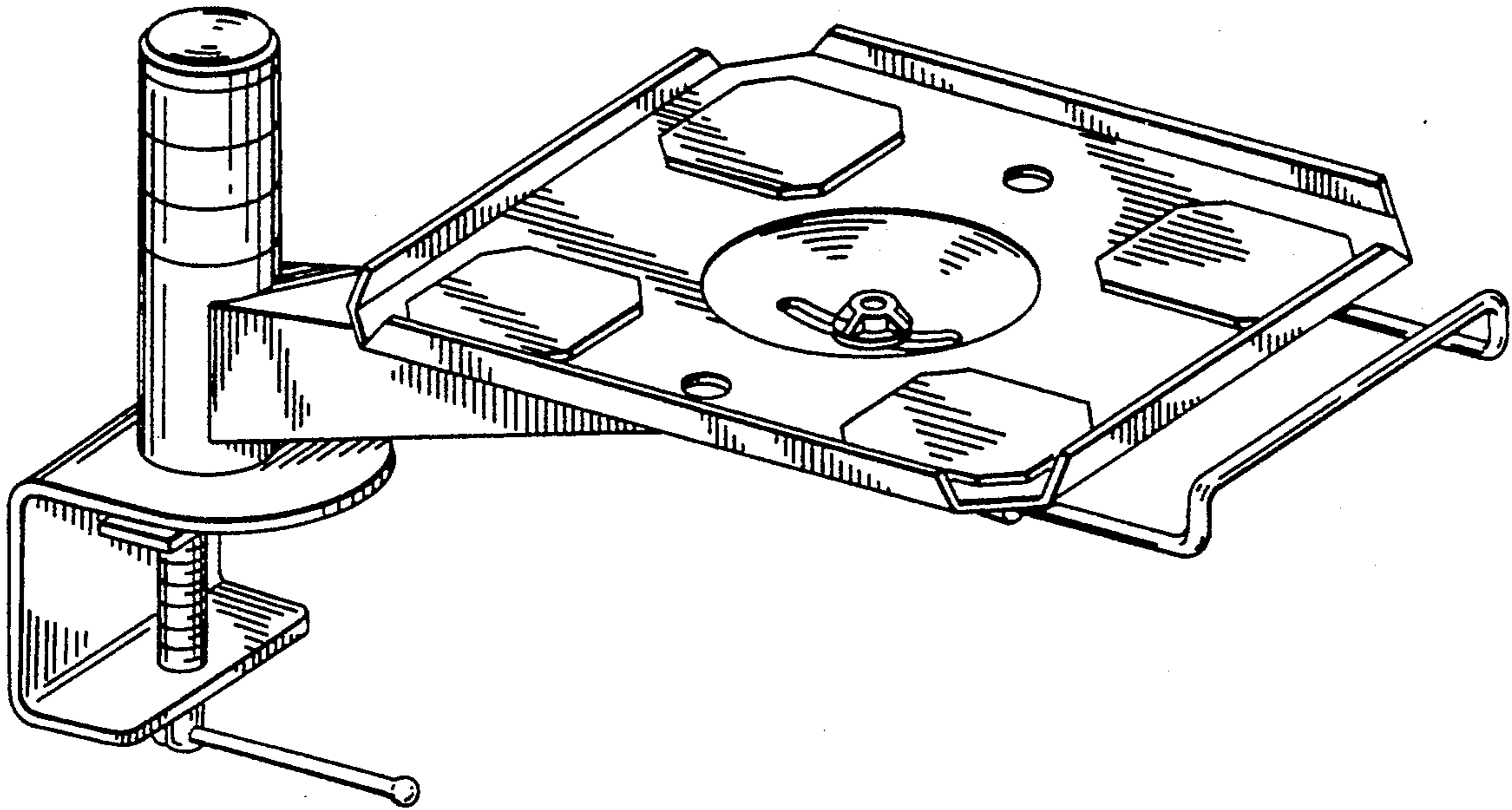


FIG. 1

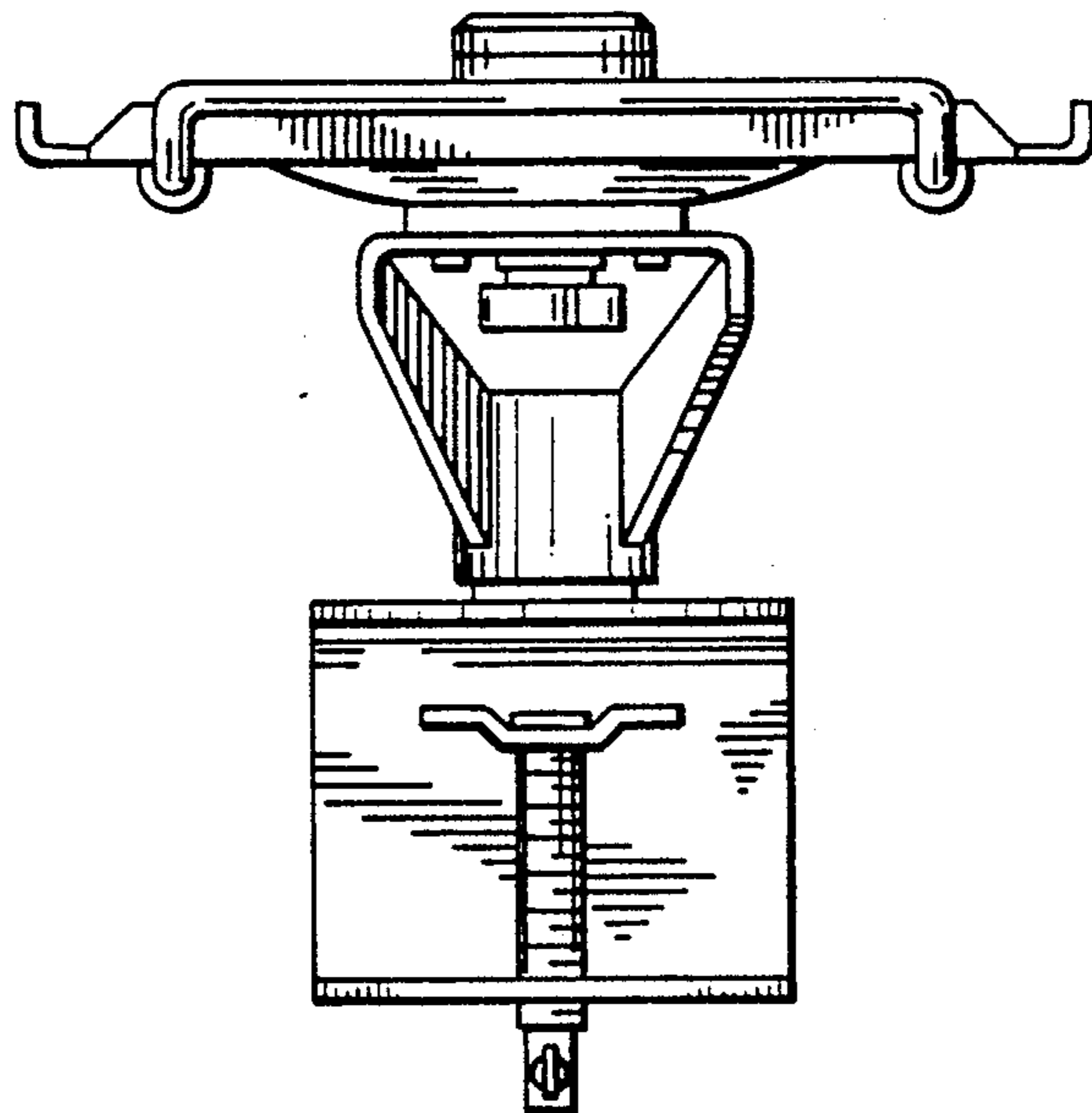


FIG. 2

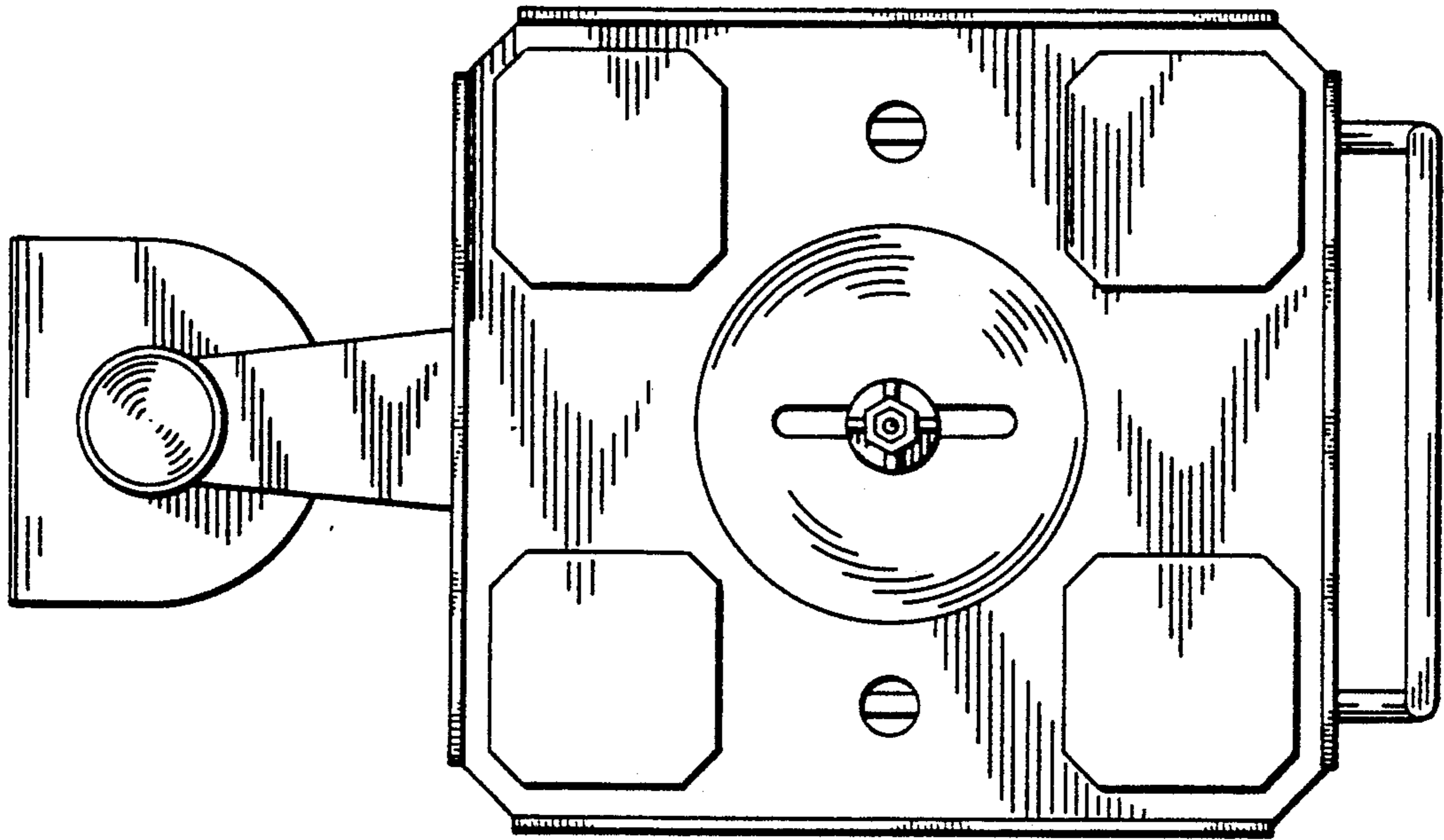


FIG. 3

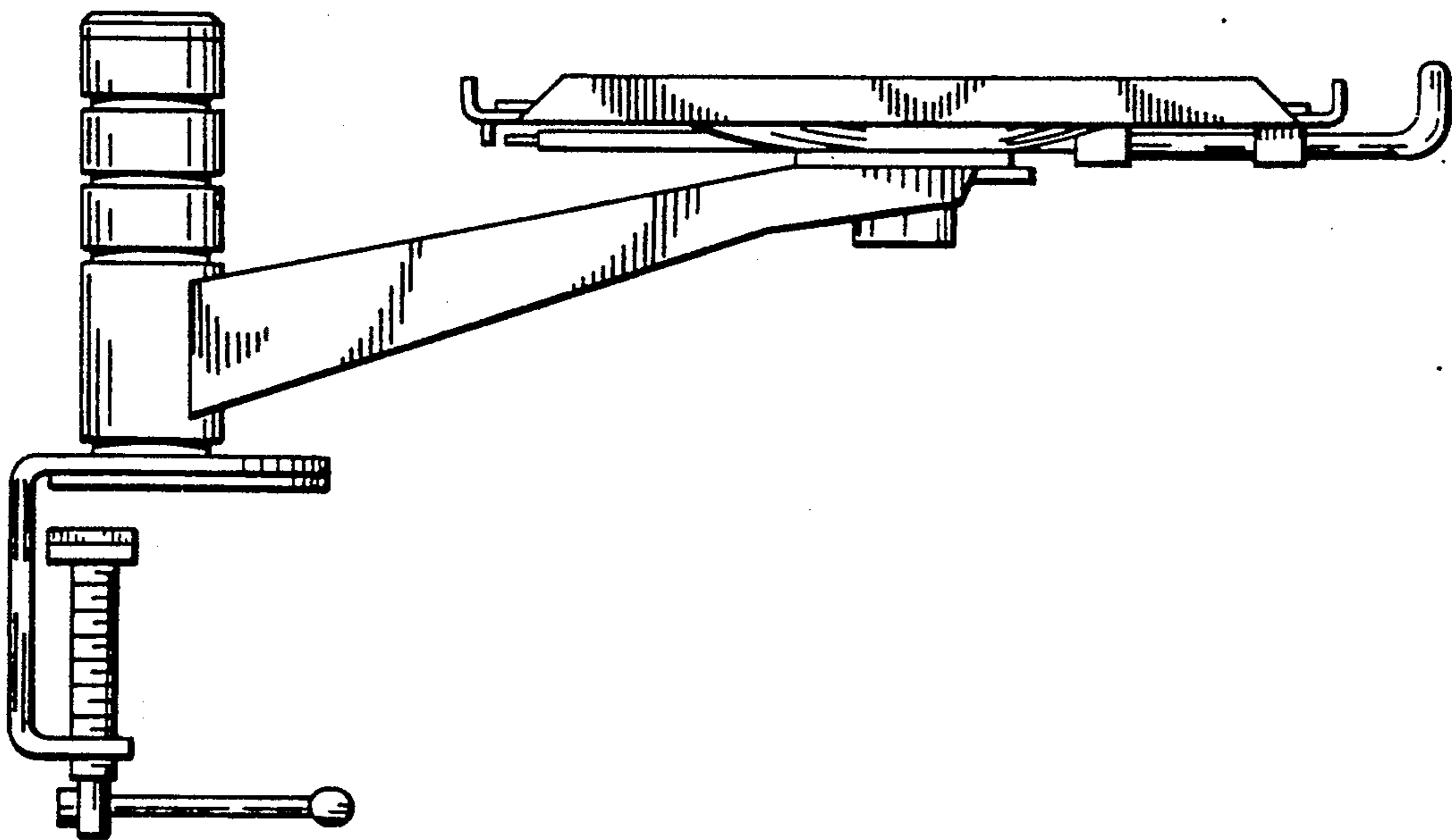


FIG. 4

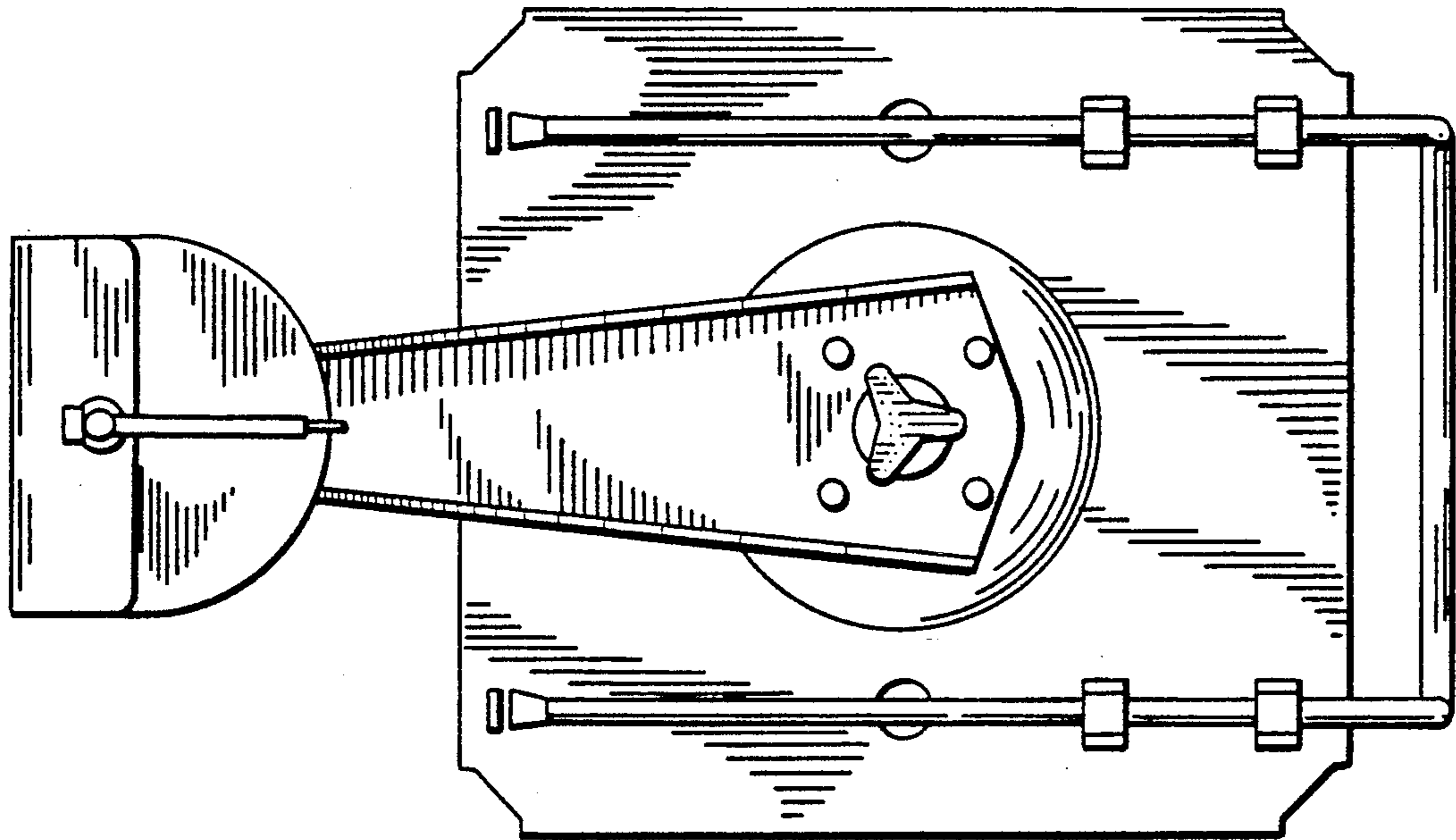


FIG. 5

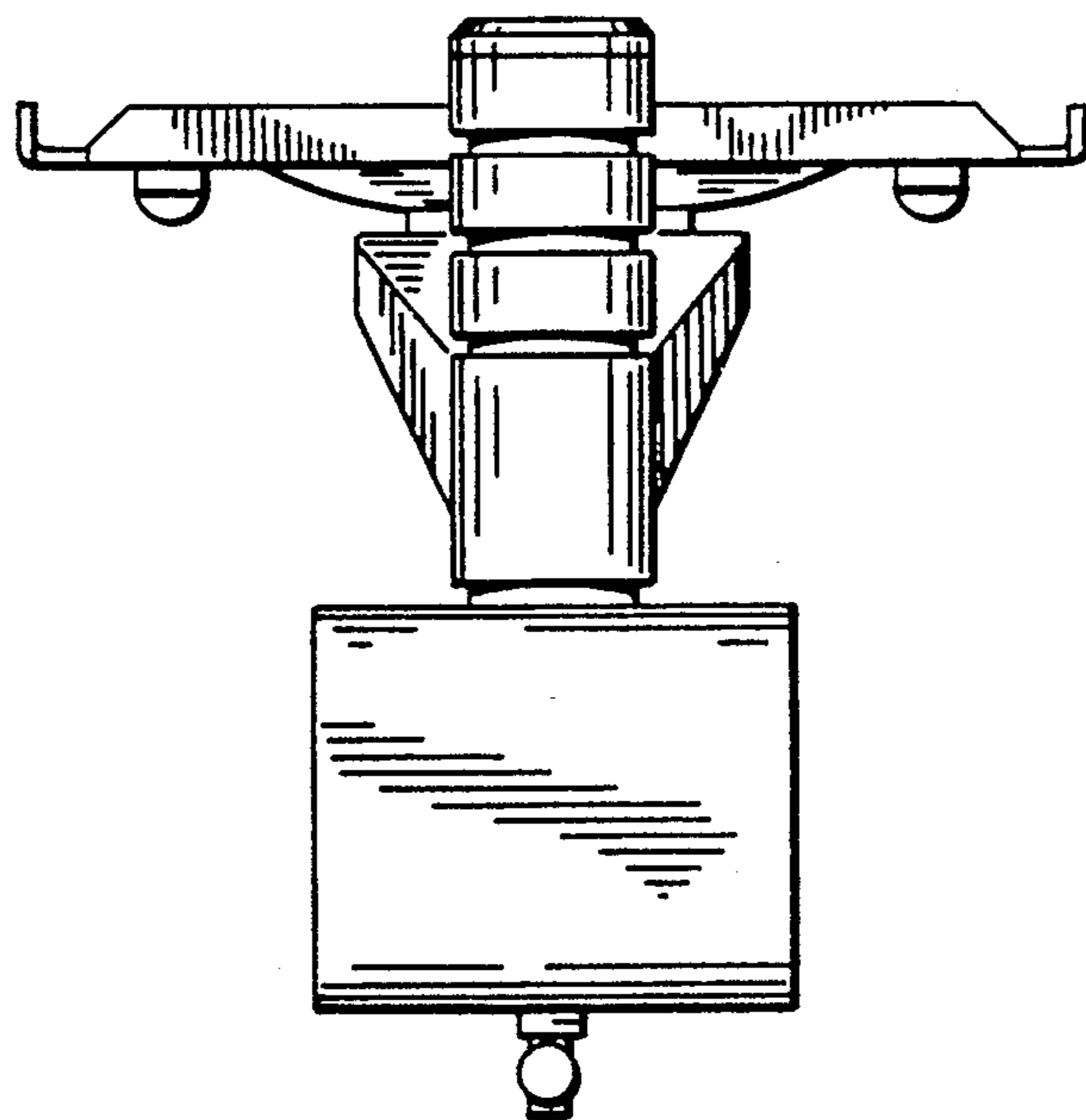


FIG. 6

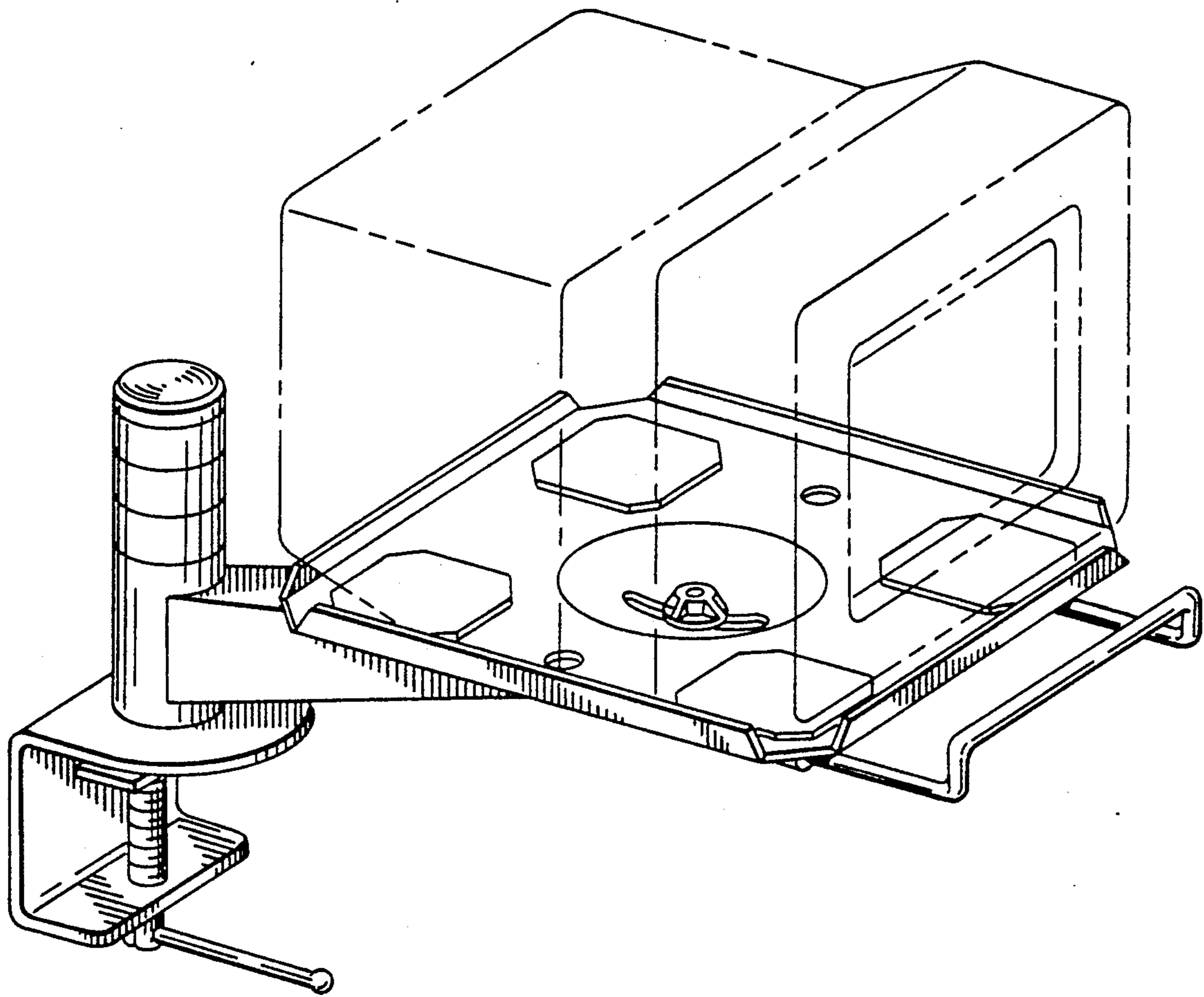


FIG. 7