



US00D325866S

United States Patent [19]

[11] Patent Number: **Des. 325,866**

Gary

[45] Date of Patent: **** May 5, 1992**

[54] **LIGHT SUPPORT BRACKET**

[75] Inventor: **Lonnie F. Gary, Lubbock, Tex.**
[73] Assignee: **Gary Products Group, Inc., Lubbock, Tex.**

[**] Term: **14 Years**

[21] Appl. No.: **486,278**

[22] Filed: **Feb. 27, 1990**

[52] U.S. Cl. **D8/354; D26/138**

[58] Field of Search **D8/349, 354, 373, 355, D8/376, 356, 378, 363, 380, 366, 382, 371, 394, 372, 395, 396; D26/138, 140; 362/396, 249, 250; 24/530, 545, 336, 339; 248/205.1, 205.5, 206.2, 236, 237, 225.31, 208**

[56] **References Cited**

U.S. PATENT DOCUMENTS

- D. 26,991 4/1897 Hoyt D8/354 X
- D. 227,742 7/1973 Logsdon D8/396 X
- D. 319,575 9/1991 Young D26/138 X

- 2,644,383 7/1953 Meditz 248/229 X
- 3,599,918 8/1971 Patchett 362/396 X

OTHER PUBLICATIONS

Handy Products Company Price List, outdoor Christmas Light holders.

Primary Examiner—Susan J. Lucas
Attorney, Agent, or Firm—Ross, Howison, Clapp & Korn

[57] **CLAIM**

The ornamental design for a light support bracket, as shown and described.

DESCRIPTION

FIG. 1 is a perspective view of the light support bracket showing my new design;
FIG. 2 is a front elevational view thereof;
FIG. 3 is a rear elevational view thereof;
FIG. 4 is a top plan view thereof;
FIG. 5 is a right side elevational view thereof; and,
FIG. 6 is a bottom plan view thereof.

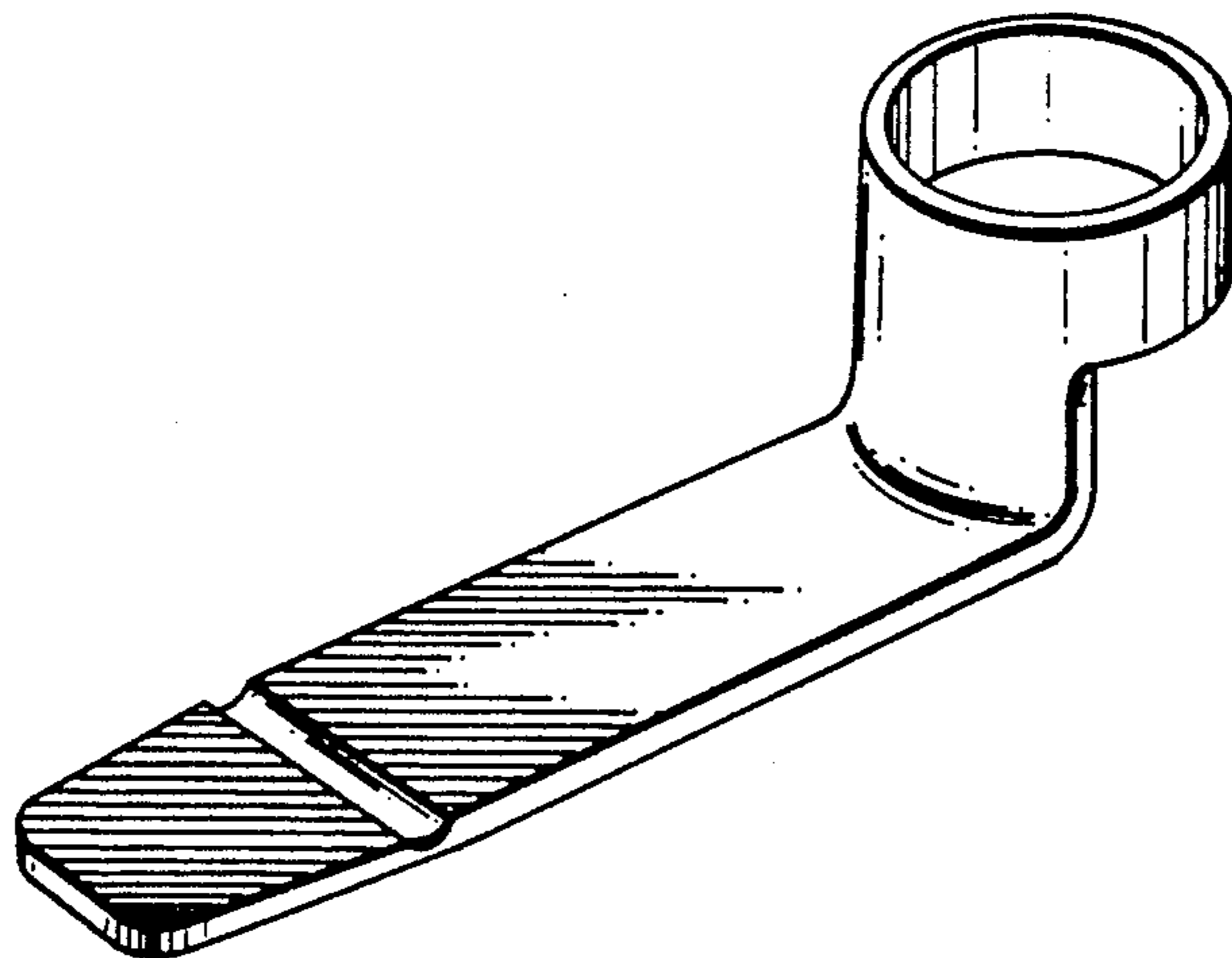


FIG. 1

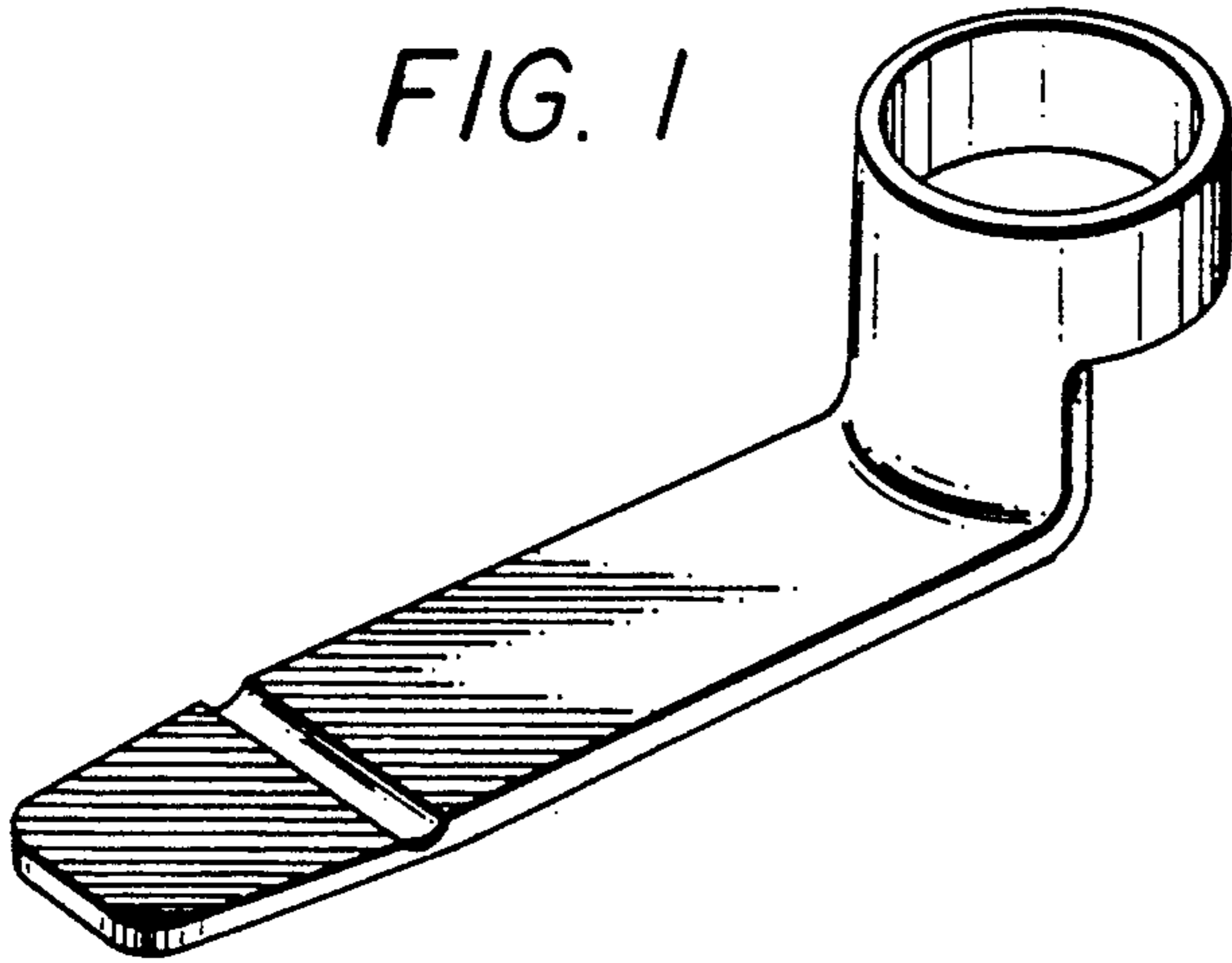


FIG. 2

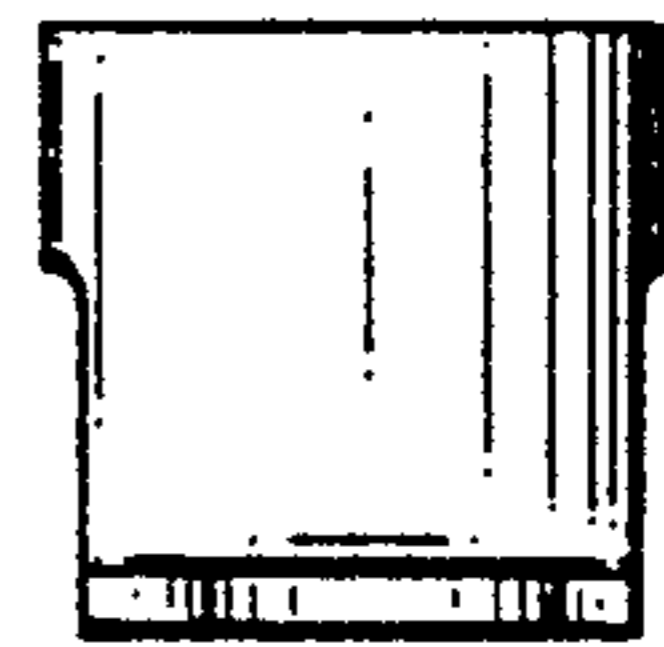


FIG. 3

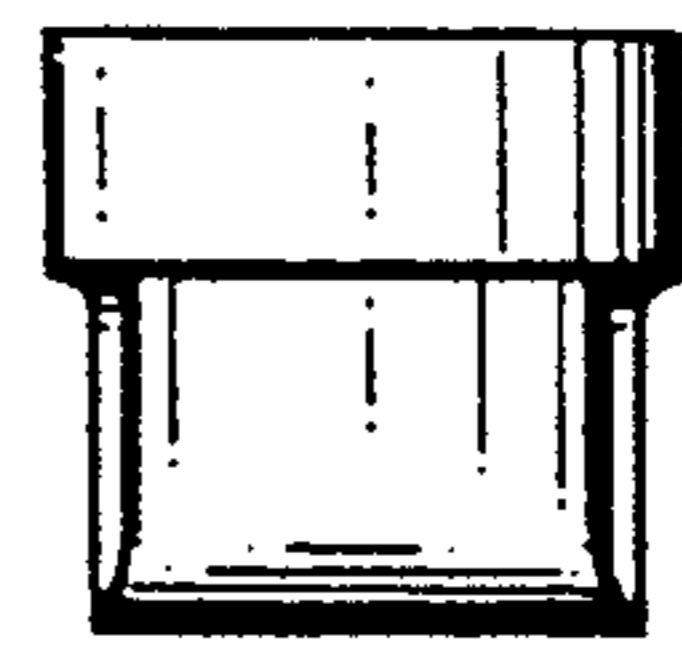


FIG. 4

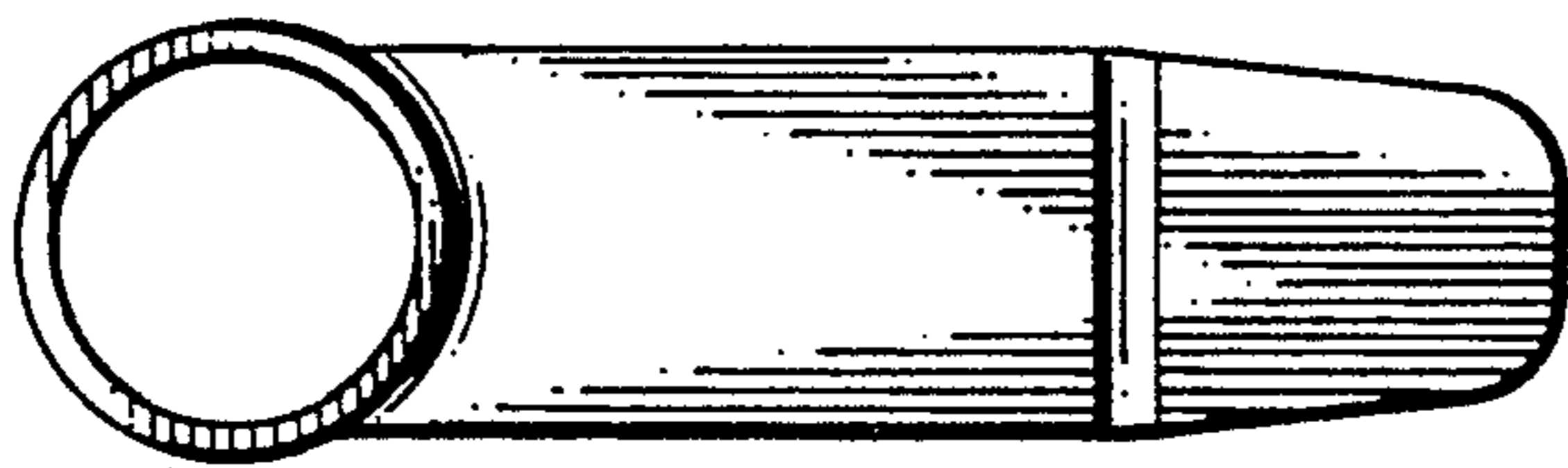


FIG. 5



FIG. 6

