



US00D325865S

# United States Patent [19]

Del Corno

[11] Patent Number: **Des. 325,865**

[45] Date of Patent: **\*\* May 5, 1992**

[54] **DOOR KNOB**

[75] Inventor: **Marco Del Corno, Milan, Italy**

[73] Assignee: **CAS Di A.A. CAMPI S.p.A., Seveso, Italy**

[\*\*] Term: **14 Years**

[21] Appl. No.: **487,049**

[22] Filed: **Mar. 5, 1990**

[30] Foreign Application Priority Data

Sep. 6, 1989 [IB] Int'l Pat. Institute ..... **DM/014 506**

[52] U.S. Cl. .... **D8/306; D8/307**

[58] Field of Search ..... **D8/300, 307, 308, 301, D8/302, 306; 16/110 R, 121, 123**

[56] **References Cited**

### U.S. PATENT DOCUMENTS

- D. 165,976 2/1952 Goserud ..... D8/308
- D. 203,868 2/1966 Bourgeois ..... D8/302
- D. 248,366 7/1978 Arends ..... D8/302

D. 315,858 4/1991 Frattini ..... D8/301

### OTHER PUBLICATIONS

Paul Associates Cat.; p. 51; lever 537.

*Primary Examiner*—B. J. Bullick

*Attorney, Agent, or Firm*—Fleit, Jacobson, Cohn, Price, Holman & Stern

### [57] CLAIM

The ornamental design for a door knob, as shown and described.

### DESCRIPTION

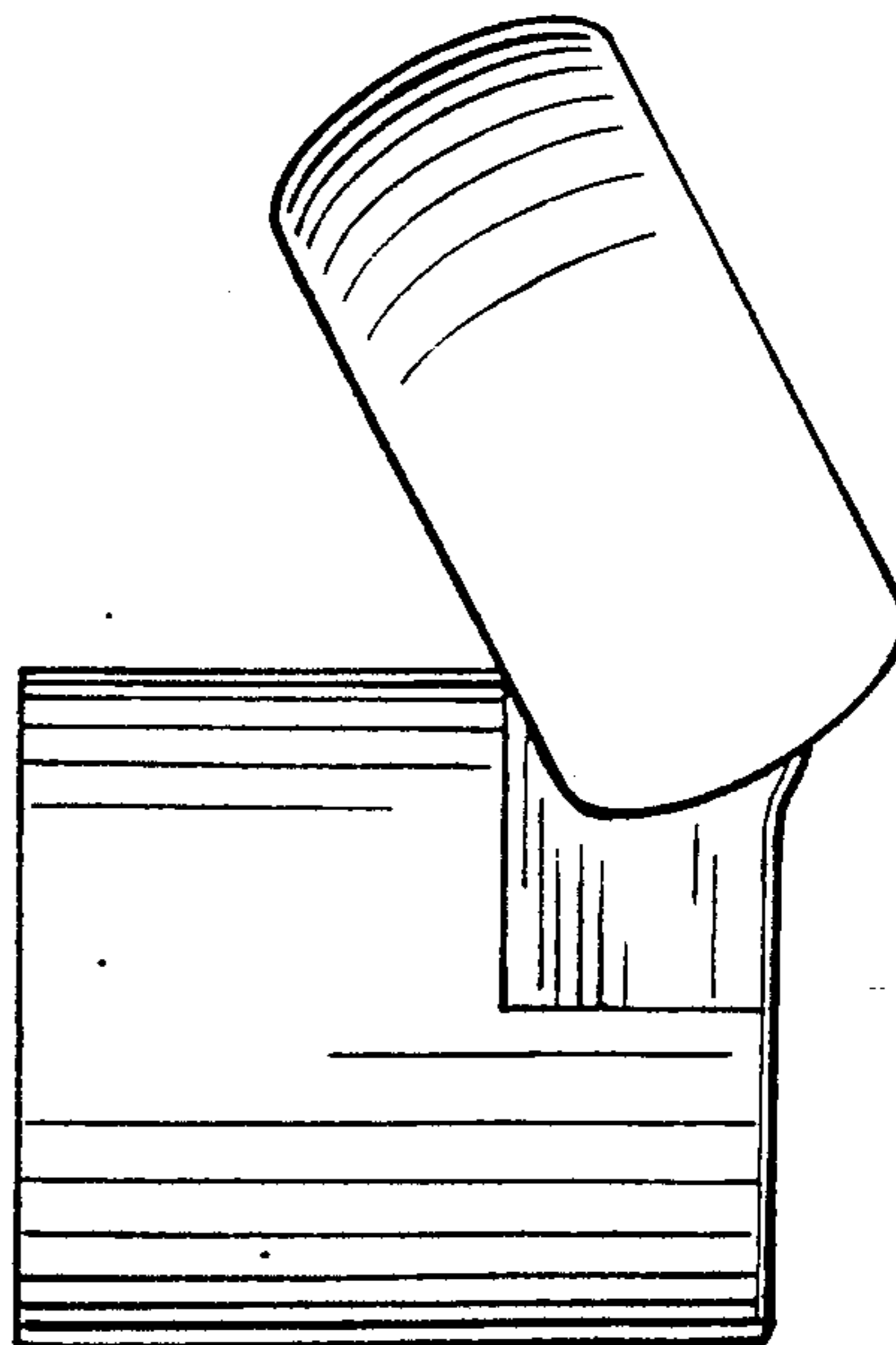
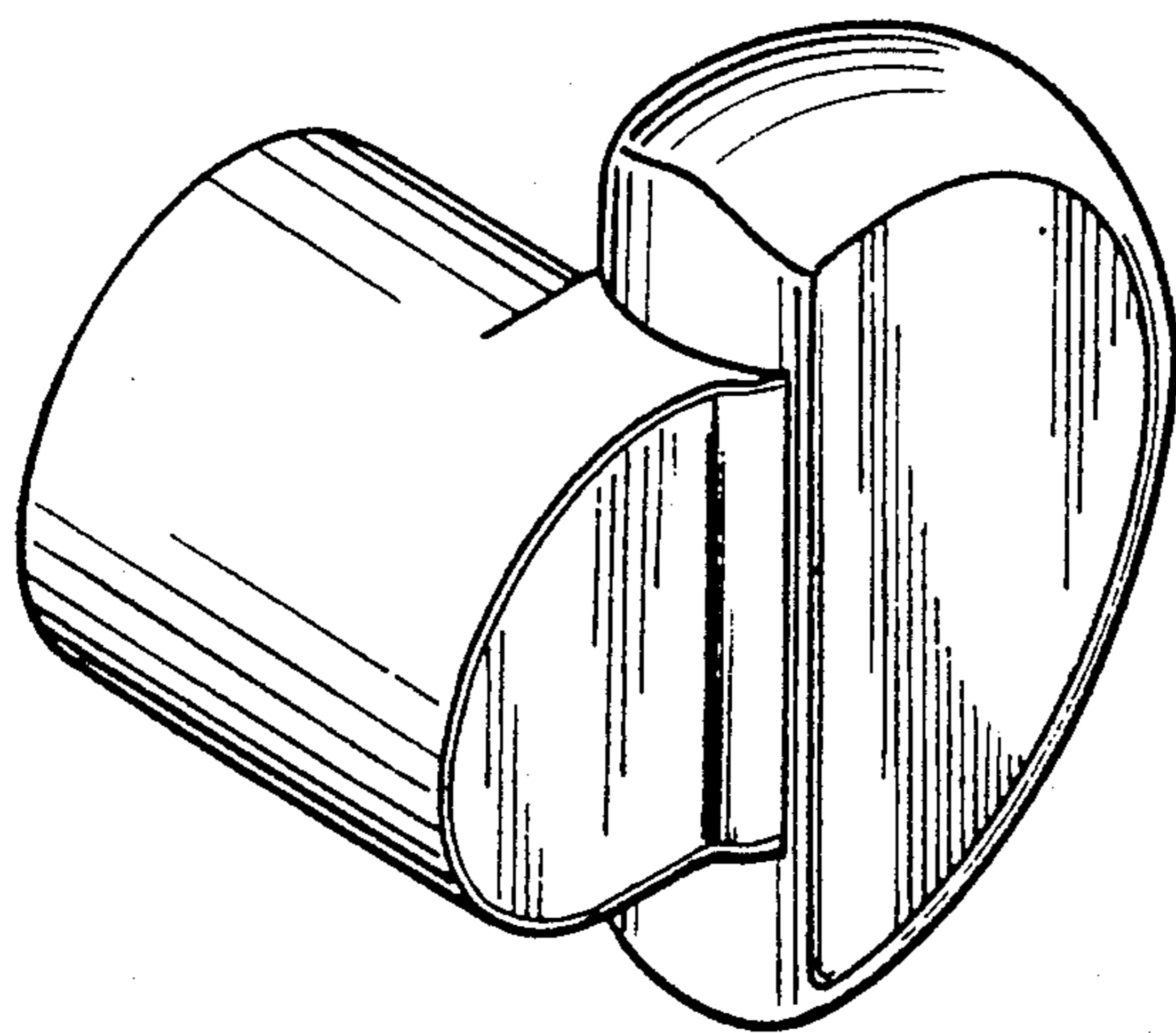
FIG. 1 is a perspective view of a door knob showing my new design;

FIG. 2 is an enlarged front elevational view thereof, the rear being unornamented;

FIG. 3 is a left side elevational view thereof;

FIG. 4 is a top plan view thereof, the bottom being a mirror image; and,

FIG. 5 is a top plan view thereof in an alternate position.



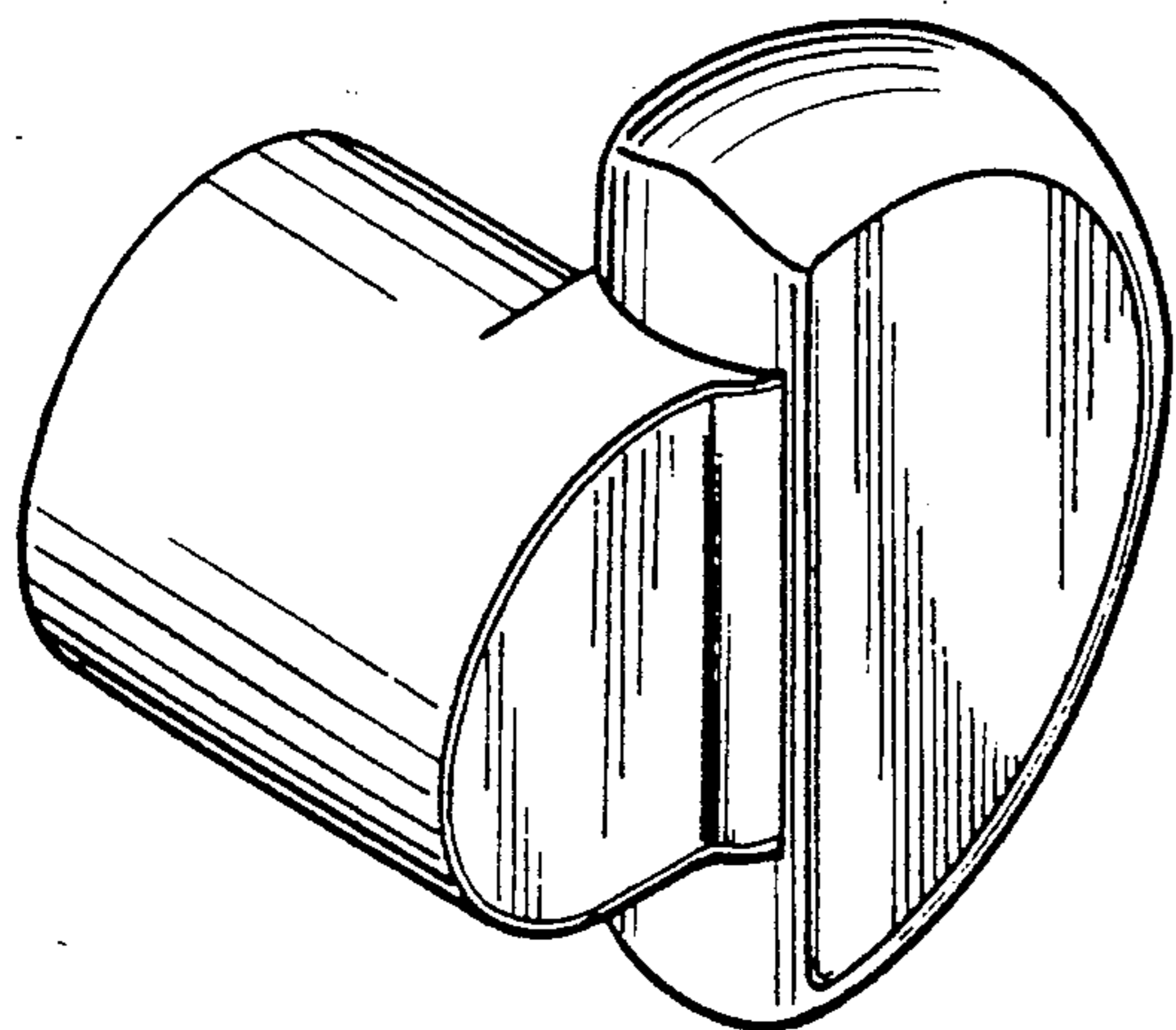


FIG. 1

FIG. 2

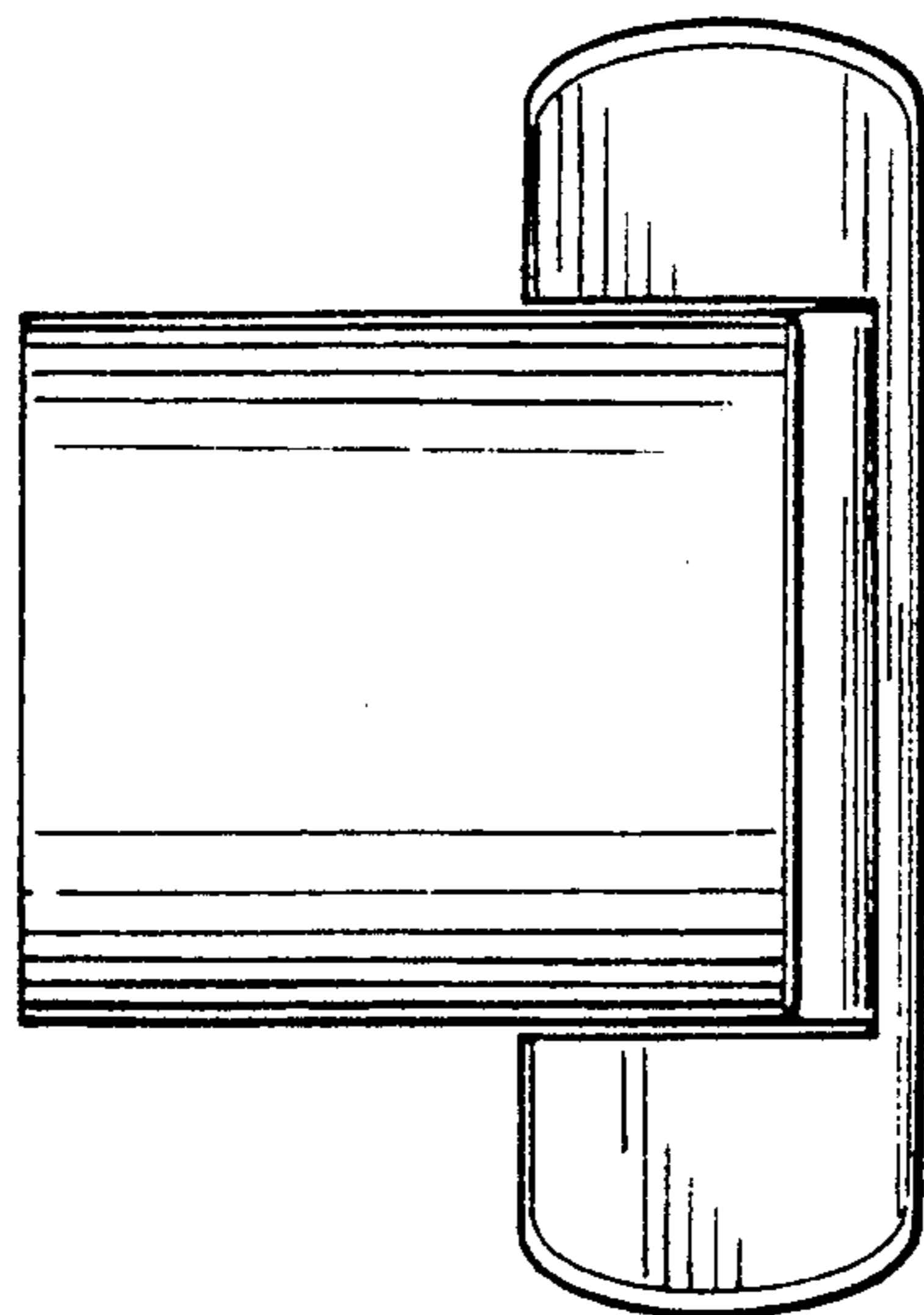
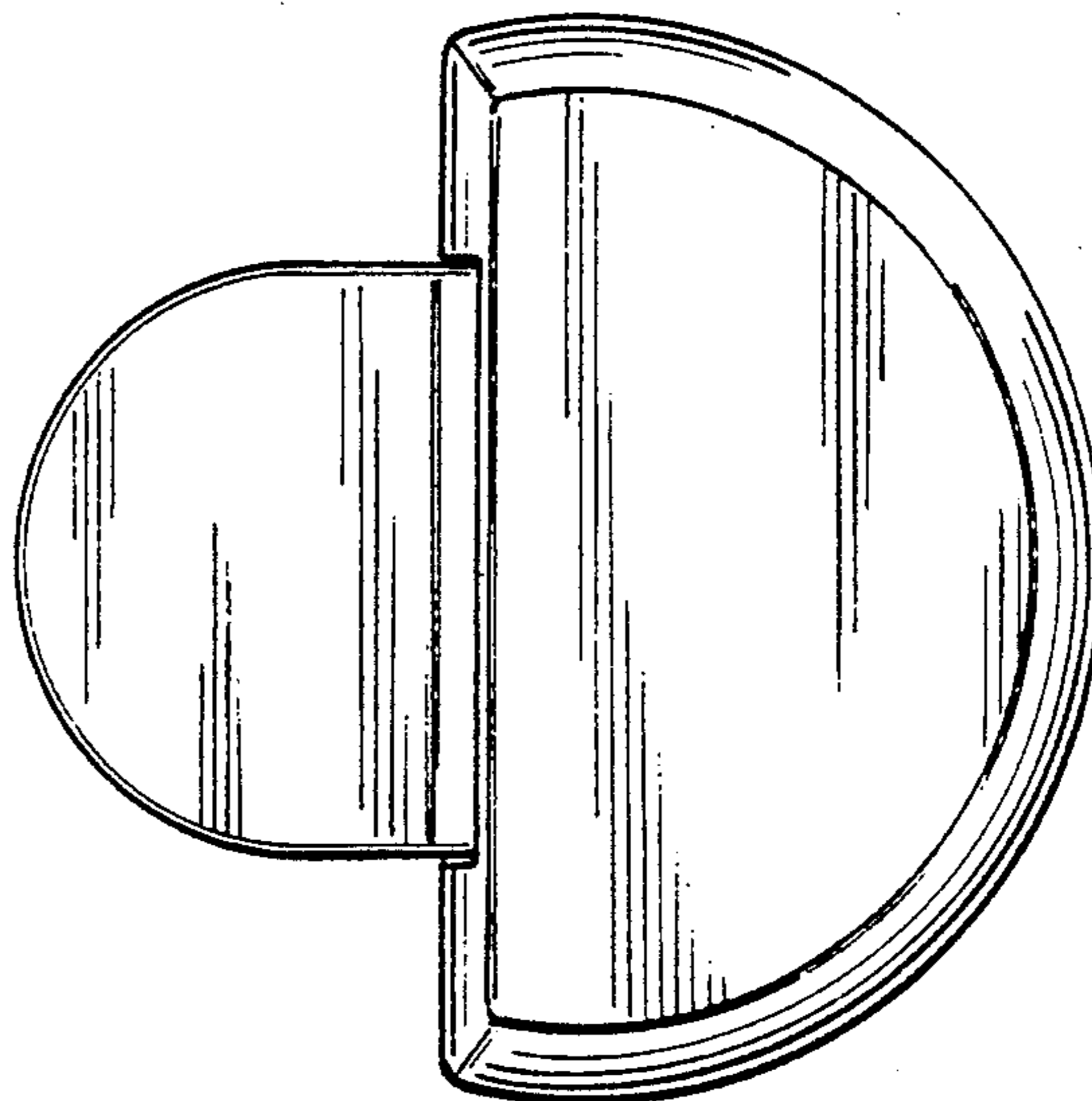


FIG. 3

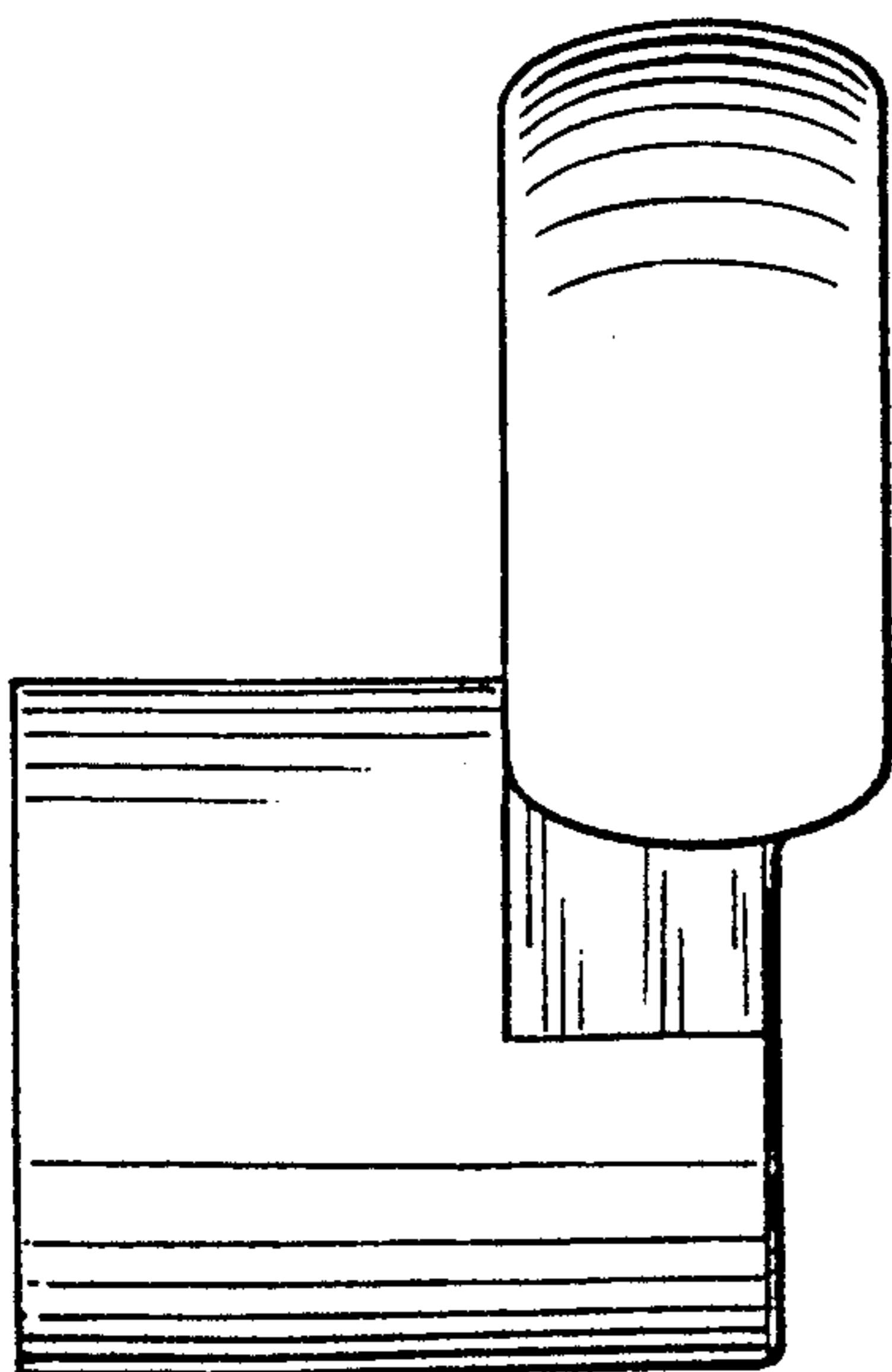


FIG. 4

FIG. 5

