



US00D325862S

United States Patent [19]

Sato et al.

[11] Patent Number: Des. 325,862

[45] Date of Patent: ** May 5, 1992

[54] PORTABLE ELECTRIC MORTISER
[75] Inventors: Mitsumasa Sato; Masakazu Sakamoto; Kouichi Miyamoto, all of Tokyo, Japan

4,858,662 8/1989 Bosten et al. 144/134 D
4,913,204 4/1990 Moores et al. 144/136 C
4,988,245 1/1991 Fukuda 144/136 C
5,063,982 11/1991 Durney 144/134 D

[73] Assignee: Ryobi Ltd., Hiroshima, Japan

[**] Term: 14 Years

[21] Appl. No.: 433,316

[22] Filed: Nov. 8, 1989

[30] Foreign Application Priority Data

May 15, 1989 [JP] Japan 1-17857

[52] U.S. Cl. D8/69

[58] Field of Search D8/69; 408/115 B;
144/136 R, 136 C, 134 D, 371, 83; 30/374, 377,
272.1, 388

[56] References Cited

U.S. PATENT DOCUMENTS

D. 315,281 3/1991 Boston et al. D8/69
4,445,811 5/1984 Sanders 144/136 C
4,488,383 12/1984 Zerbe 144/136 C
4,566,830 1/1986 Maier et al. 144/136 C
4,594,038 6/1986 Mundelius et al. 144/1 R
4,742,856 5/1988 Hehr et al. 144/371

OTHER PUBLICATIONS

WMI 081 Joining Machine imported by Woodworking Machinery Imports, Florida, U.S.A.
75100 Spline Joinery System manufactured by Freud.

Primary Examiner—Nelson C. Holtje
Assistant Examiner—J. H. Musgrove
Attorney, Agent, or Firm—Sughrue, Mion, Zinn Macpeak & Seas

[57] CLAIM

The ornamental design for a portable electric mortiser, as shown.

DESCRIPTION

FIG. 1 is a right side elevational view of a portable electric mortiser showing our new design; FIG. 2 is a left side elevational view thereof; FIG. 3 is a top plan view thereof; FIG. 4 is a bottom plan view thereof; FIG. 5 is a front elevational view thereof; FIG. 6 is a rear elevational view thereof; and, FIG. 7 is a front, top and right side perspective view thereof.

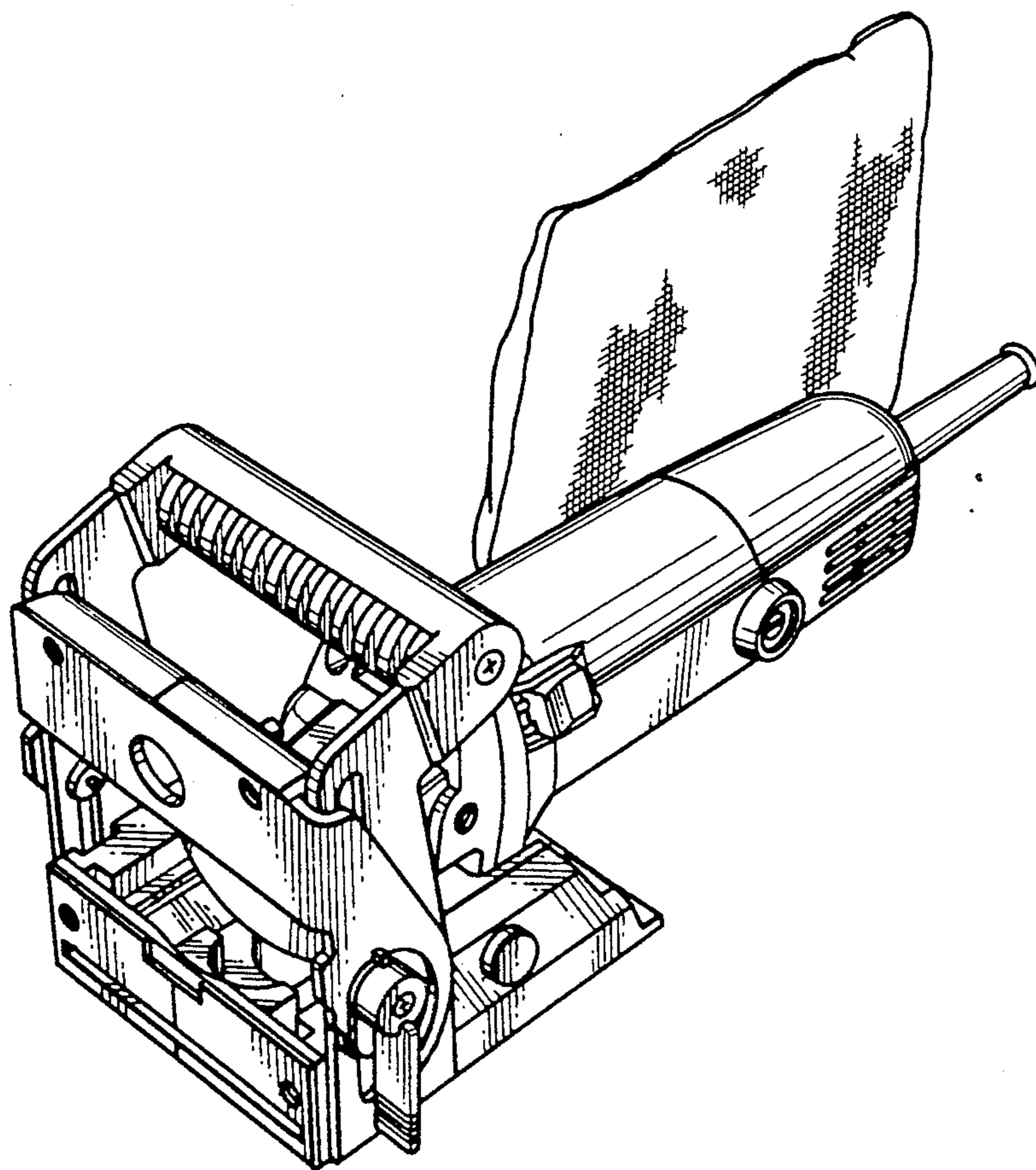


Fig. 1

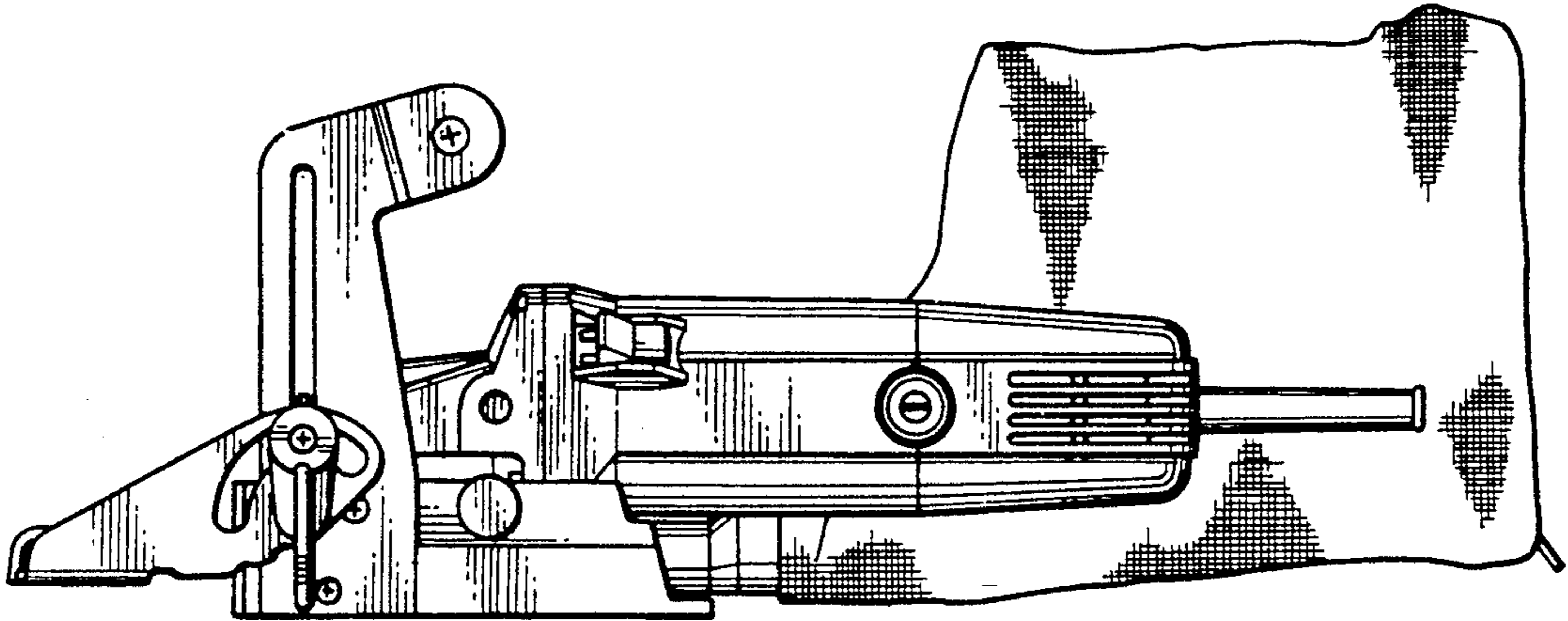


Fig. 2

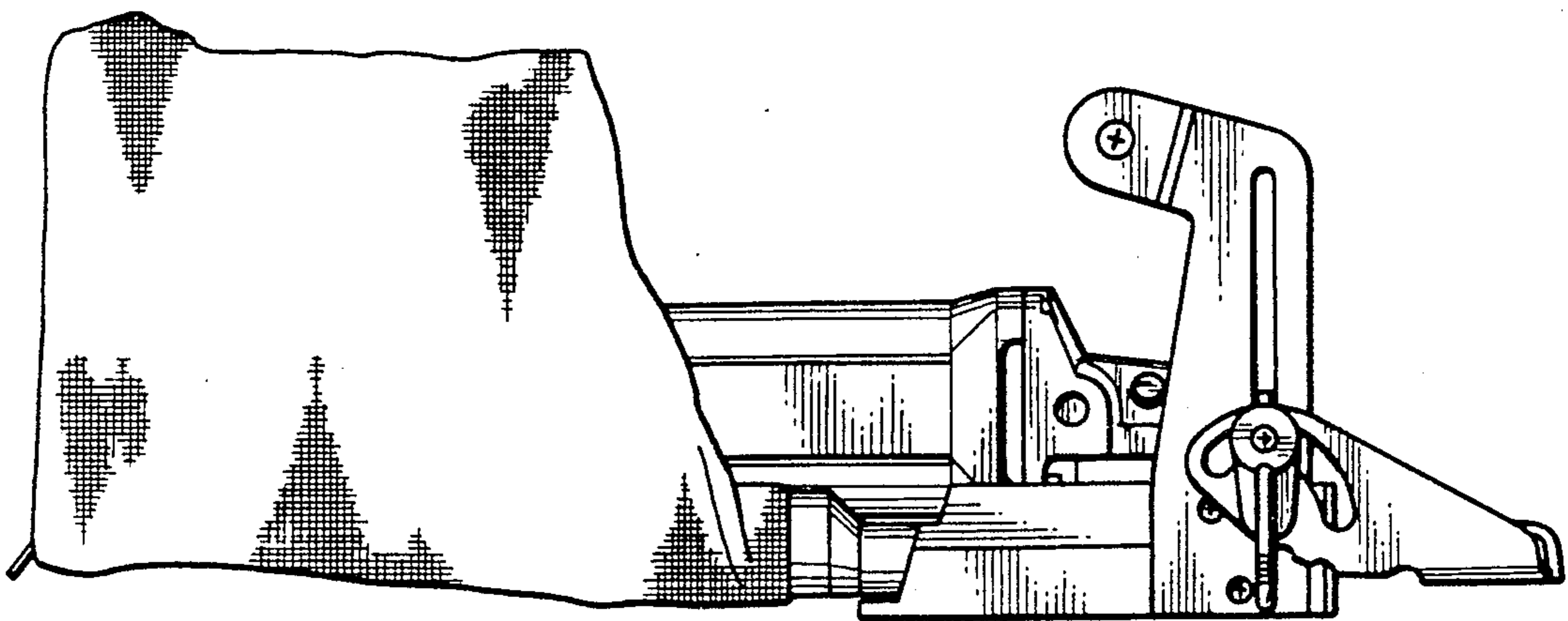


Fig. 3

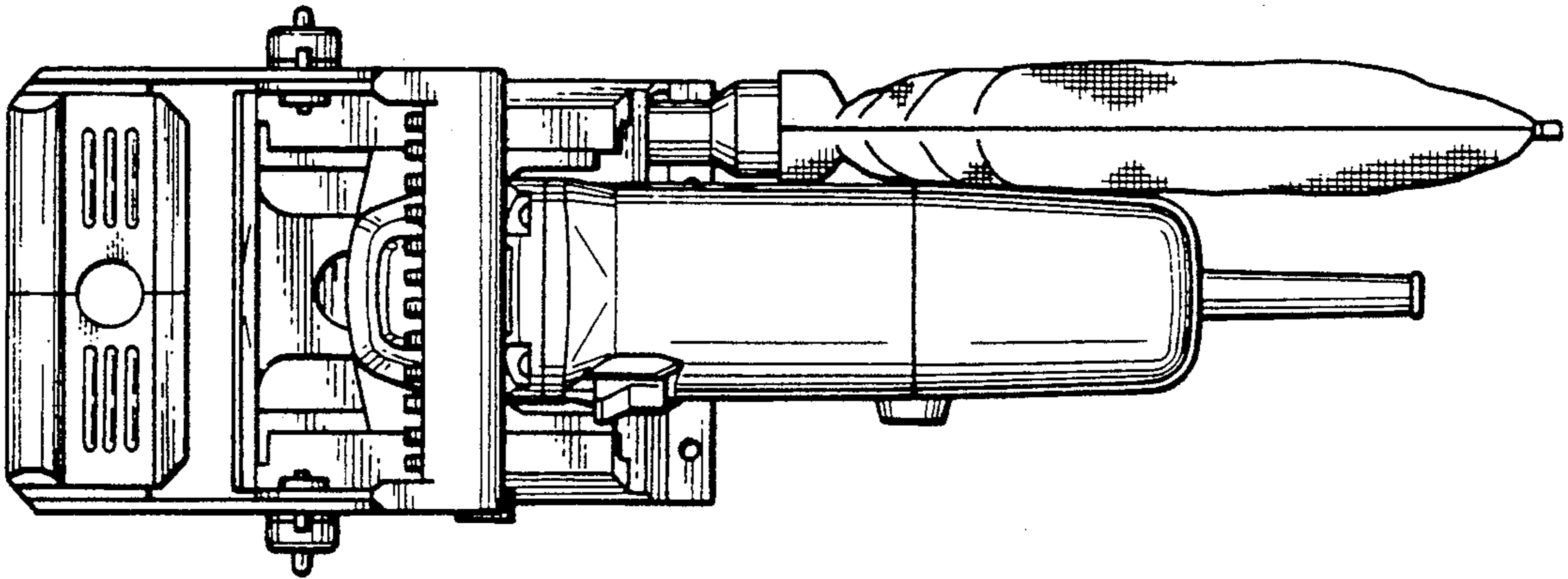


Fig. 4

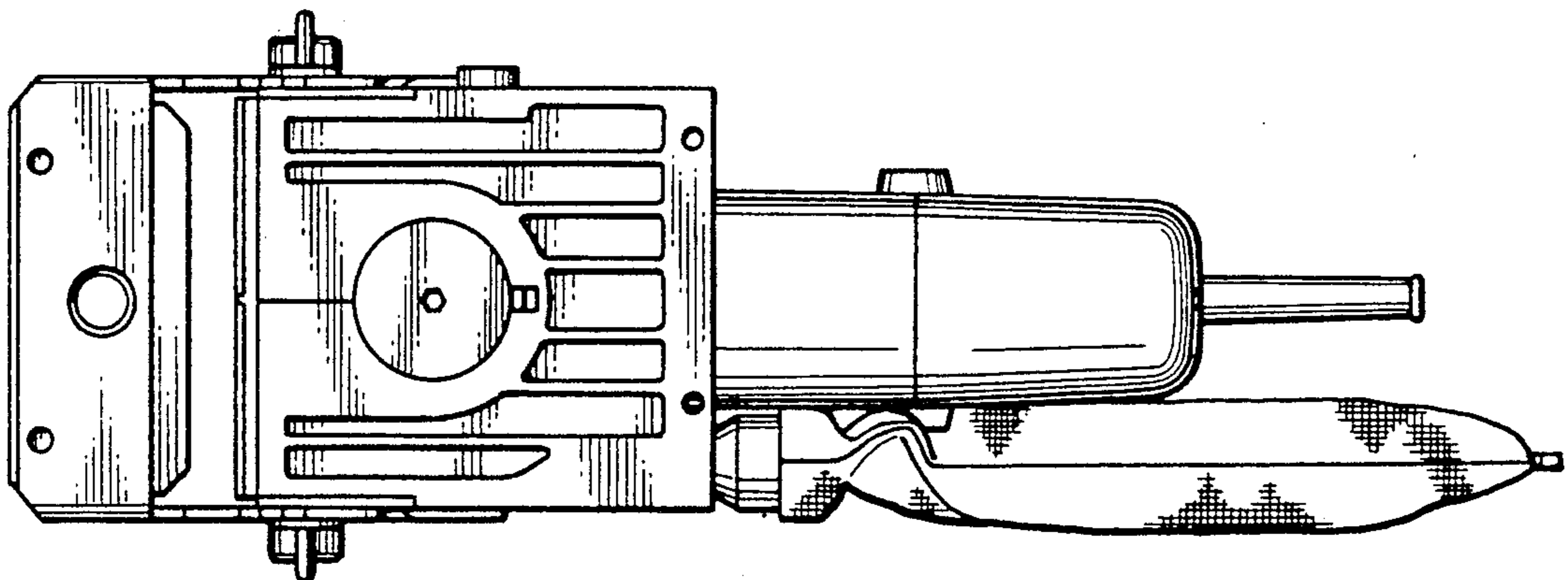


Fig. 5

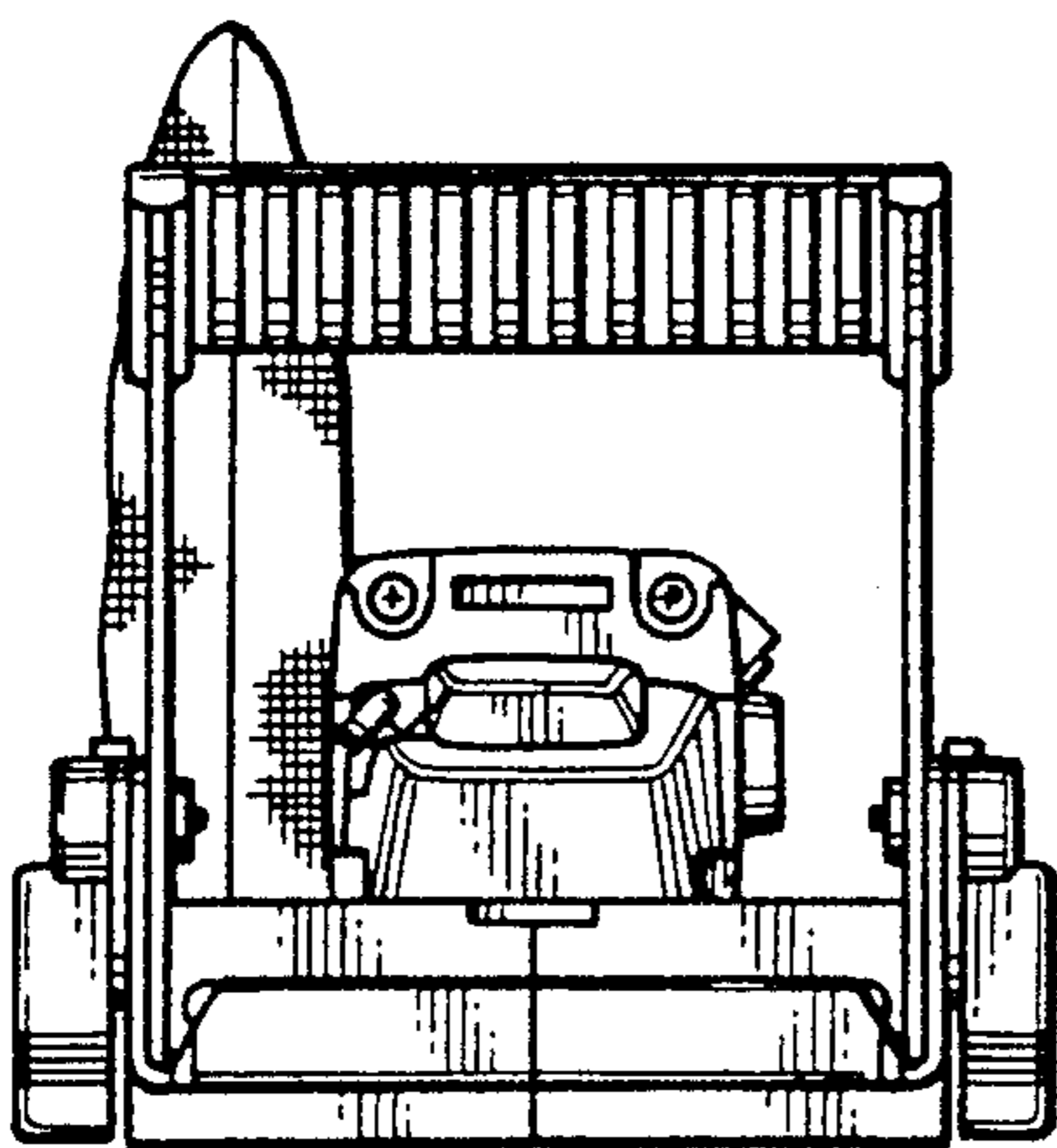


Fig. 6

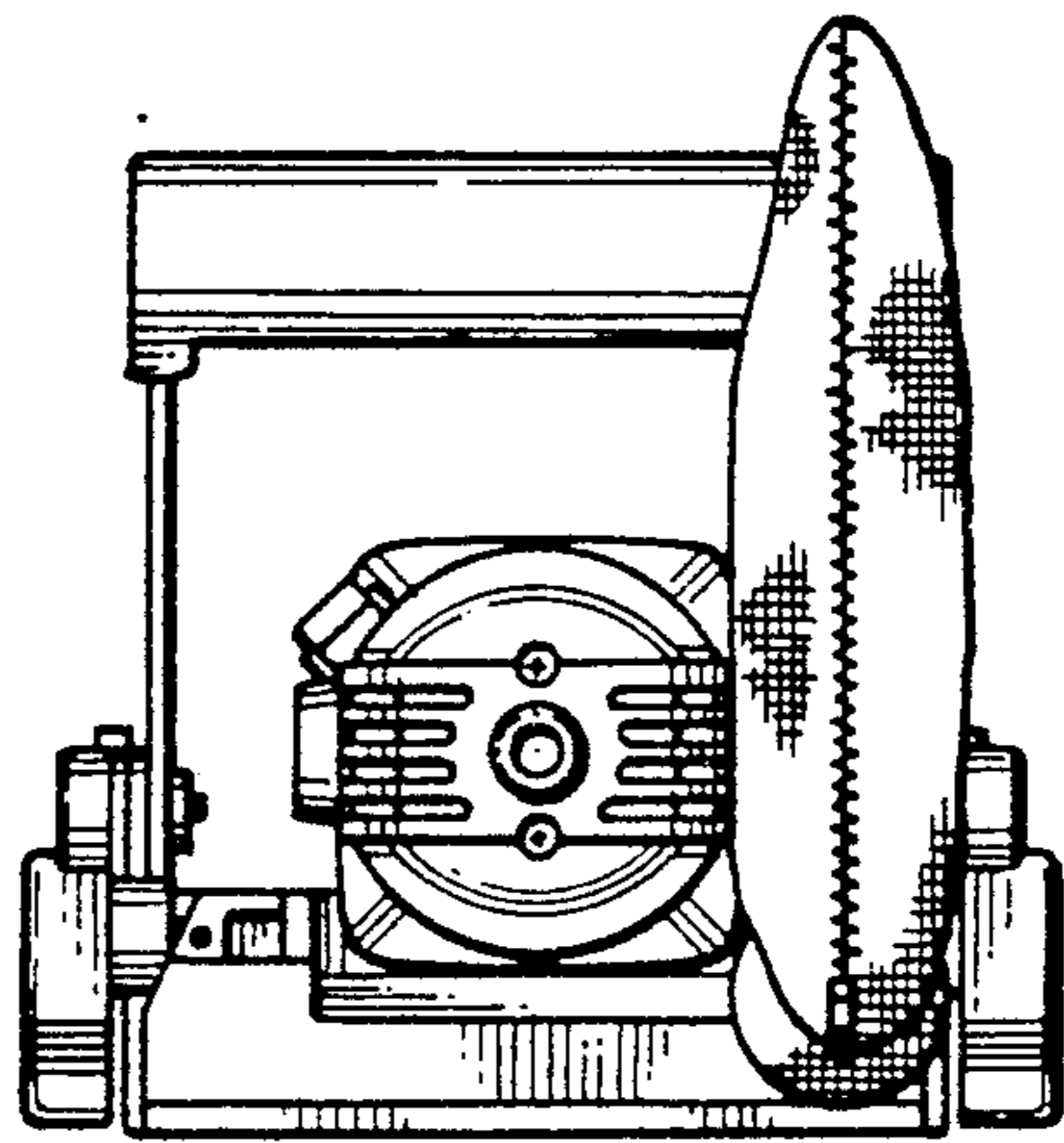


Fig. 7

