



US00D325860S

United States Patent [19]

[11] Patent Number: **Des. 325,860**

Fushiya et al.

[45] Date of Patent: **** May 5, 1992**

[54] ELECTRIC SCREW DRIVER

[75] Inventors: **Fusao Fushiya, Nagoya; Tetsuhisa Kaneko, Anjo, both of Japan**

[73] Assignee: **Makita Electric Works, Ltd., Aichi, Japan**

[**] Term: **14 Years**

[21] Appl. No.: **391,460**

[22] Filed: **Aug. 9, 1989**

[30] Foreign Application Priority Data

Feb. 15, 1989 [JP]	Japan	1-5518
[52] U.S. Cl.		D8/68
[58] Field of Search		D8/68-61; 81/54, 57.11, 57.14; 173/613, 170; 408/124, 125

[56] References Cited

U.S. PATENT DOCUMENTS

D. 259,392	6/1981	Elmessaar et al.	D8/68
D. 279,957	8/1985	Akazawa et al.	D8/68
D. 298,207	10/1988	Kilmer et al.	D8/68
D. 301,299	5/1989	Chapin	D8/68
D. 302,786	8/1989	Fushiya et al.	D8/68
D. 303,204	9/1989	Marks	D8/68
D. 316,021	4/1991	Bunyea	D8/68

OTHER PUBLICATIONS

Product Description, Makita 6891DW drywall screw-driver.

Product Description, Makita high speed drill model 6501.

Product Description, Makita drywall screwdriver model 6820V.

Primary Examiner—Nelson C. Holtje

Assistant Examiner—Jeff Musgrove

Attorney, Agent, or Firm—Lahive & Cockfield

[57] CLAIM

The ornamental design for an electric screw driver, as shown.

DESCRIPTION

FIG. 1 is a top, front and right-side perspective view of a electric screw driver showing my new design;

FIG. 2 is a top plan view;

FIG. 3 is a bottom plan view;

FIG. 4 is a right side elevational view;

FIG. 5 is a left side elevational view;

FIG. 6 is a rear elevational view;

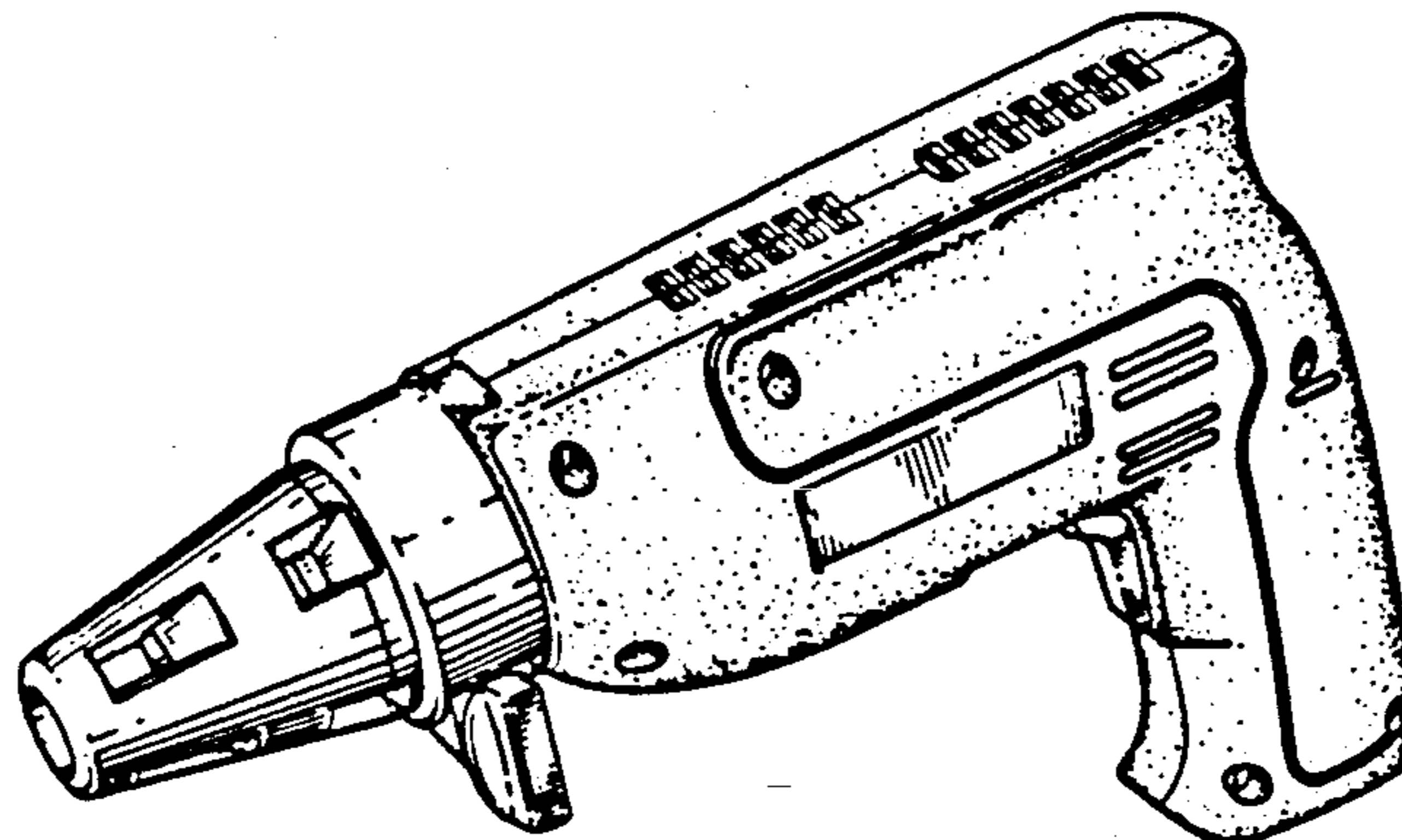
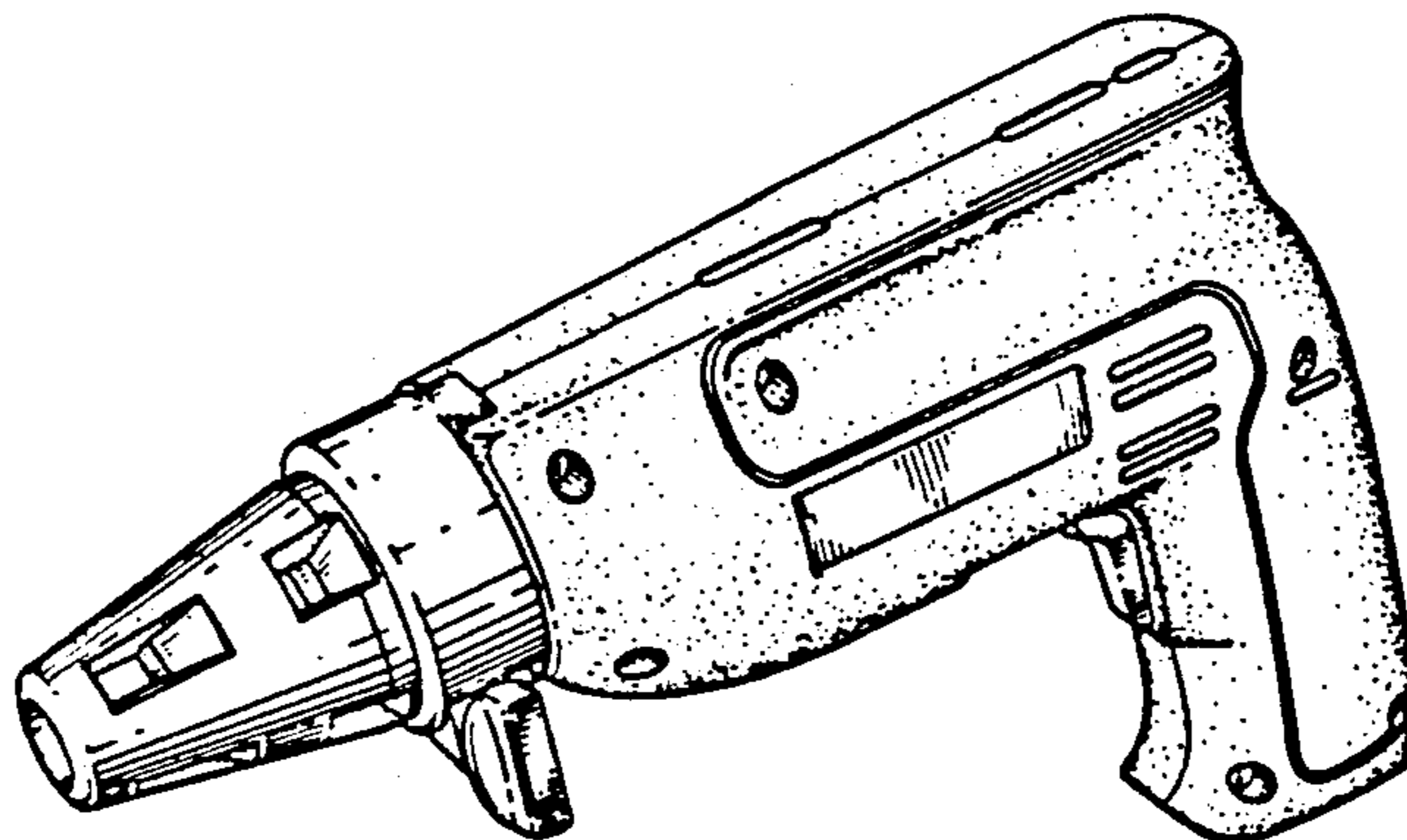
FIG. 7 is a front elevational view;

FIG. 8 is a top and front-right perspective view of a second embodiment of my new design;

FIG. 9 is a top plan view, the bottom being identical to FIG. 3;

FIG. 10 is a rear elevational view, the front being identical to FIG. 7; and,

FIG. 11 is a left side elevational view.



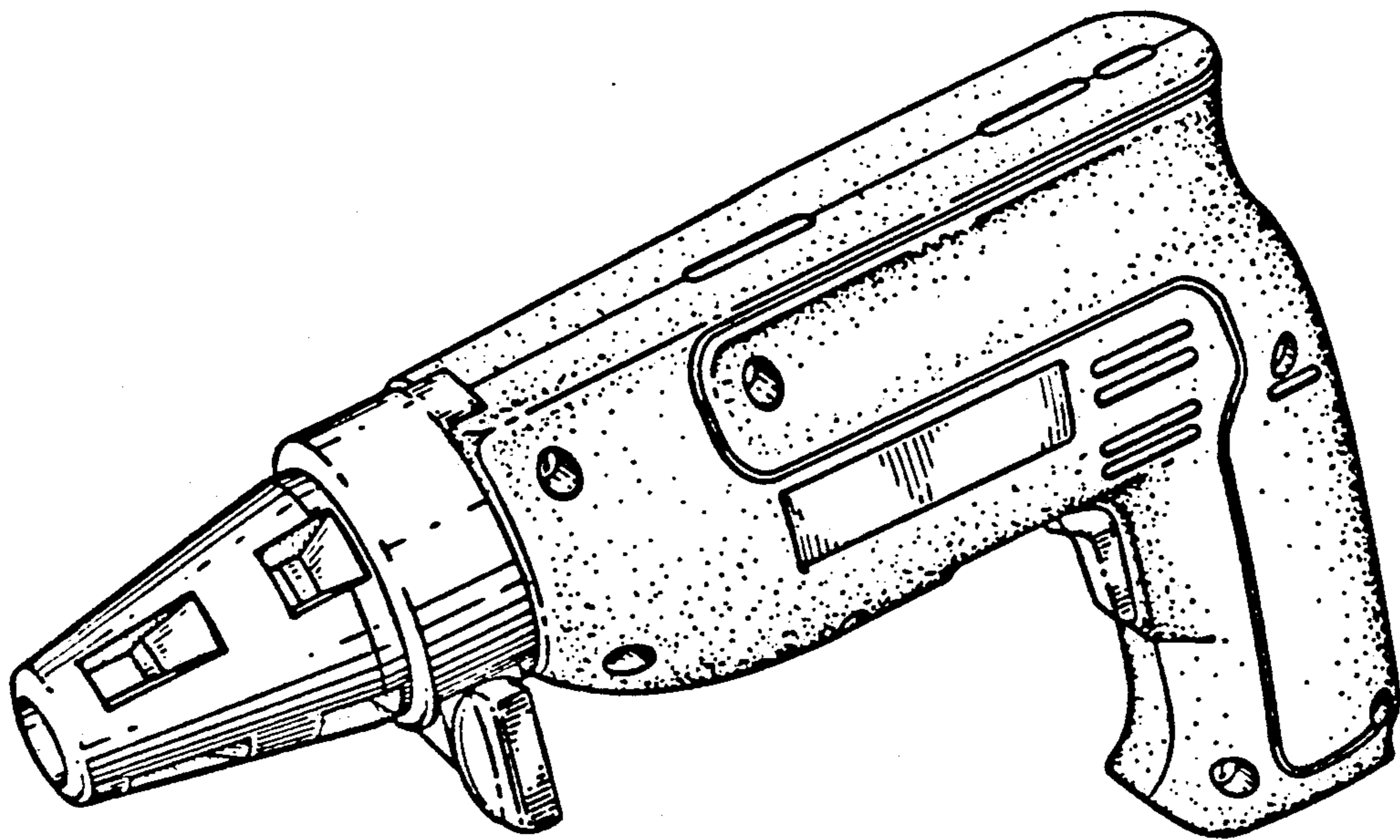


FIG. 1

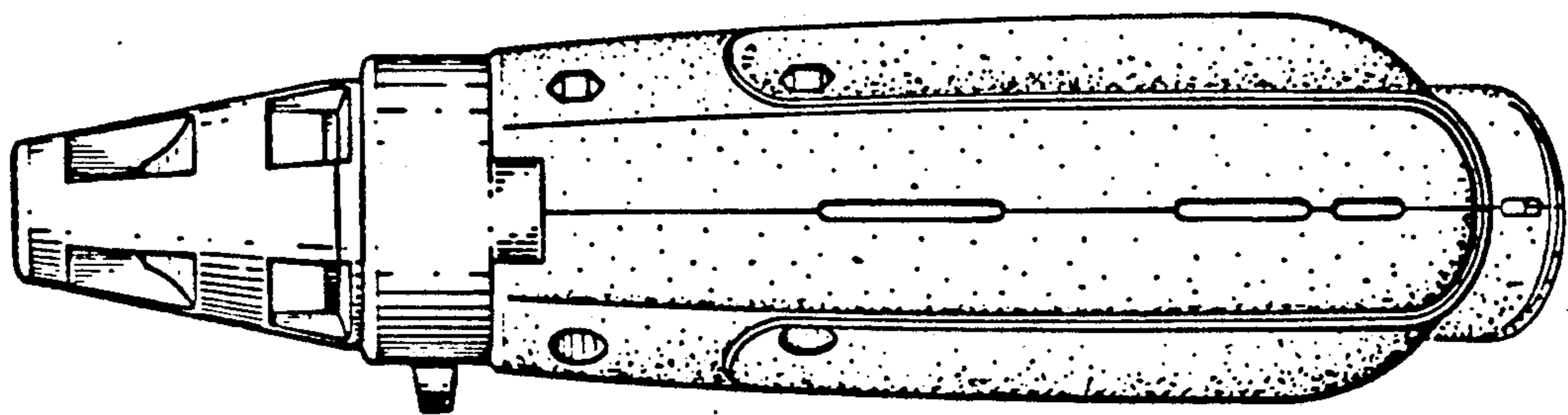


FIG. 2

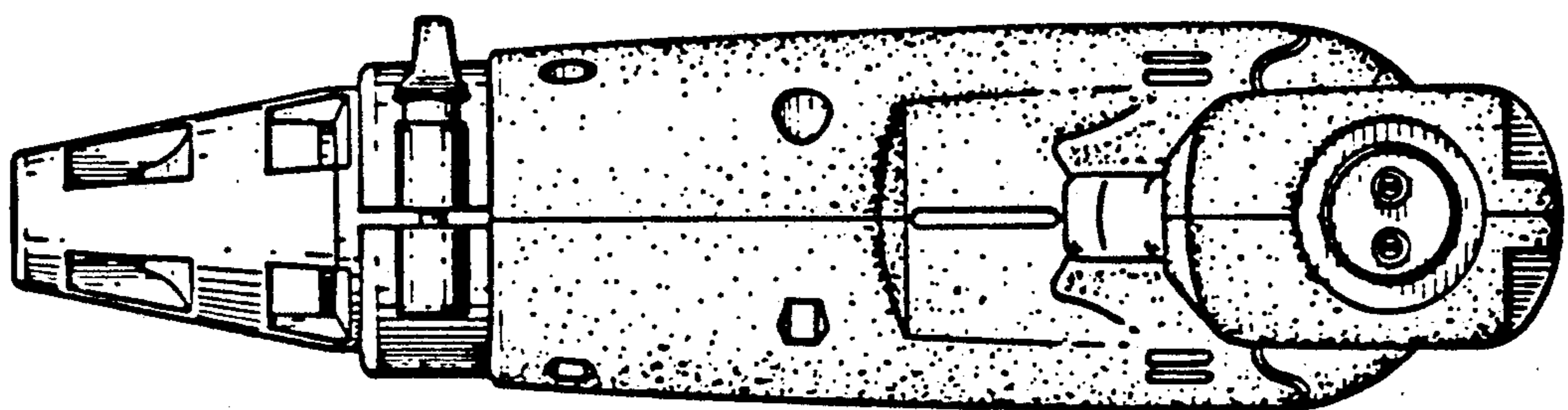


FIG. 3

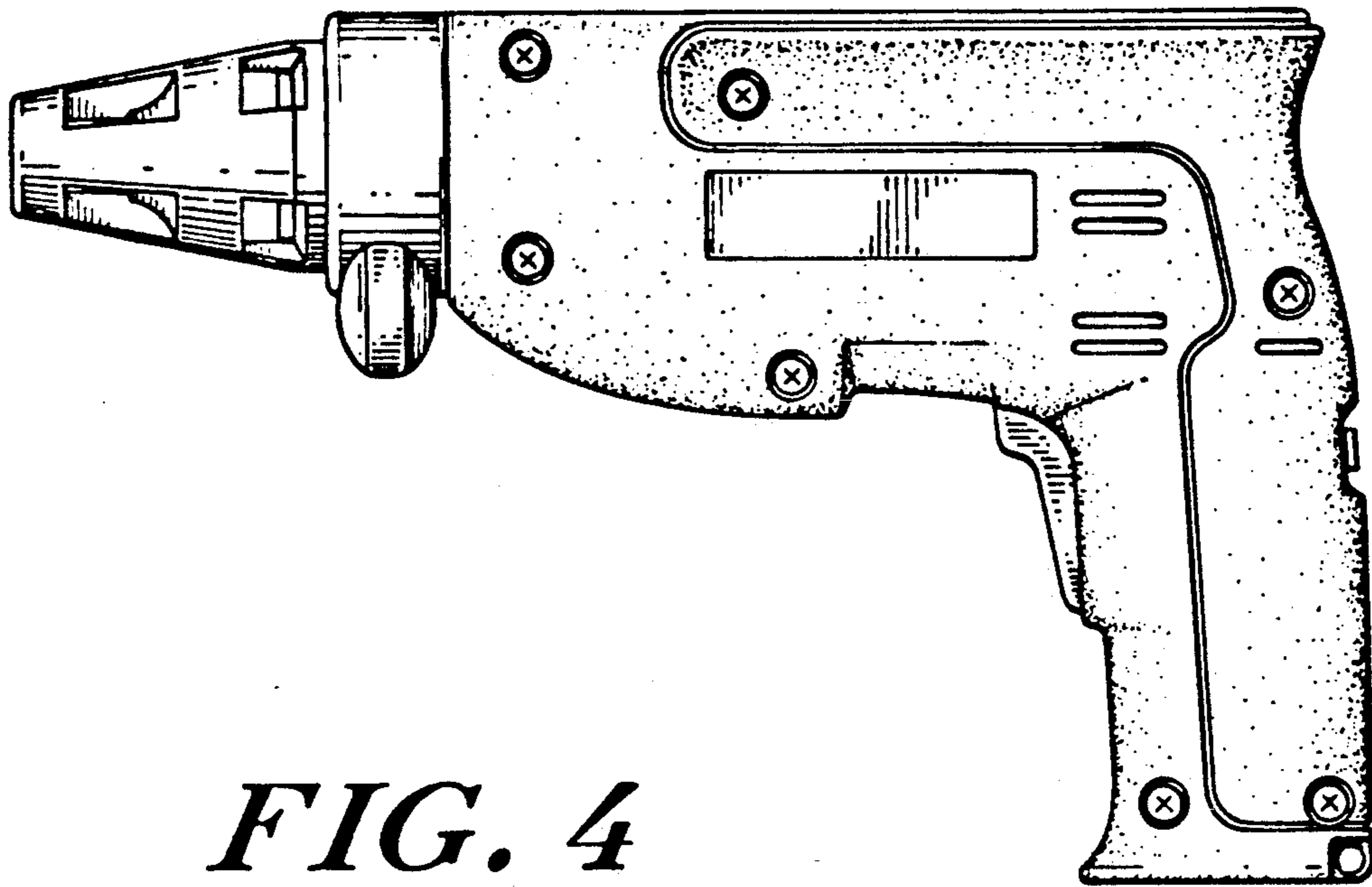


FIG. 4

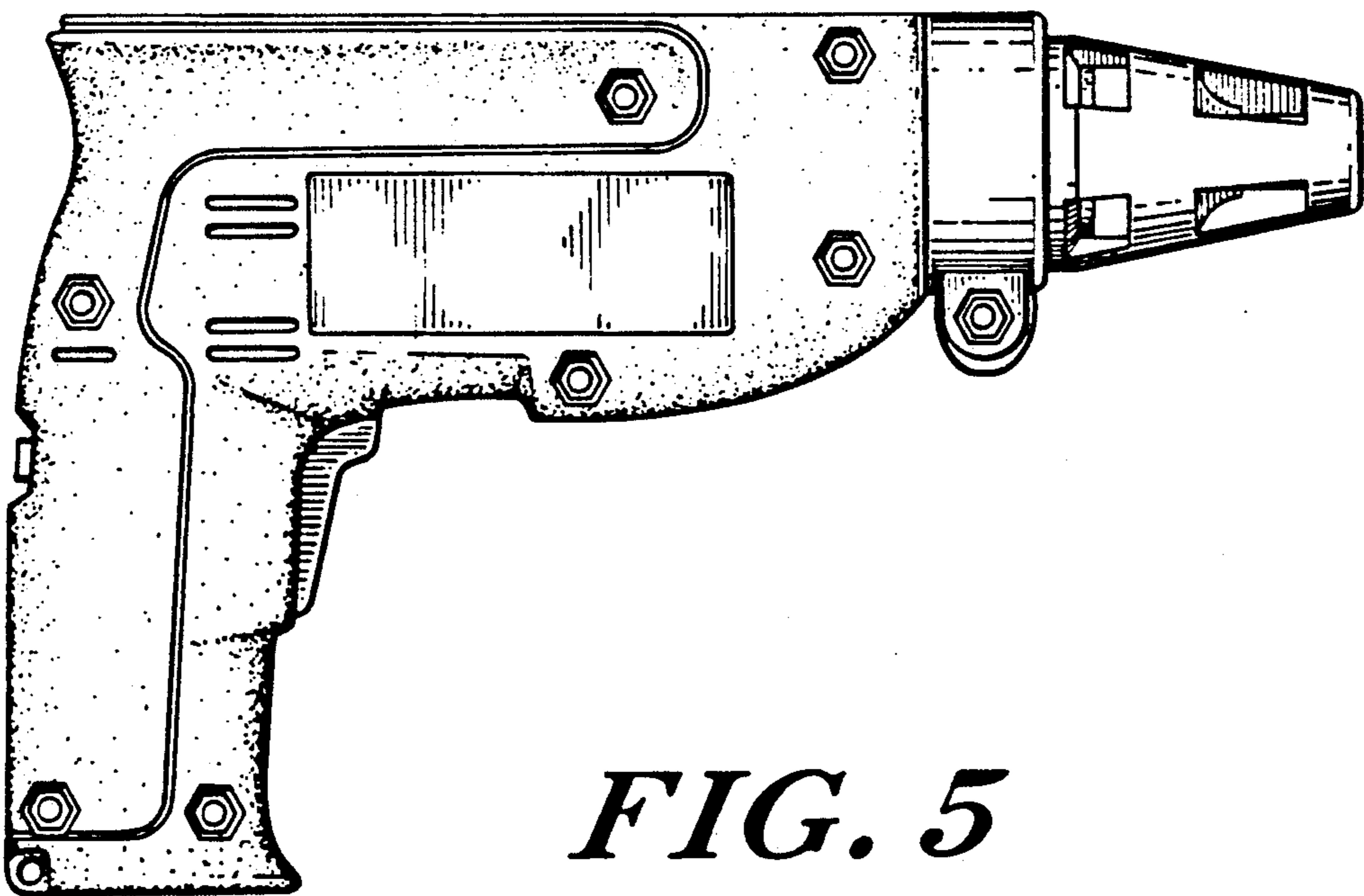


FIG. 5

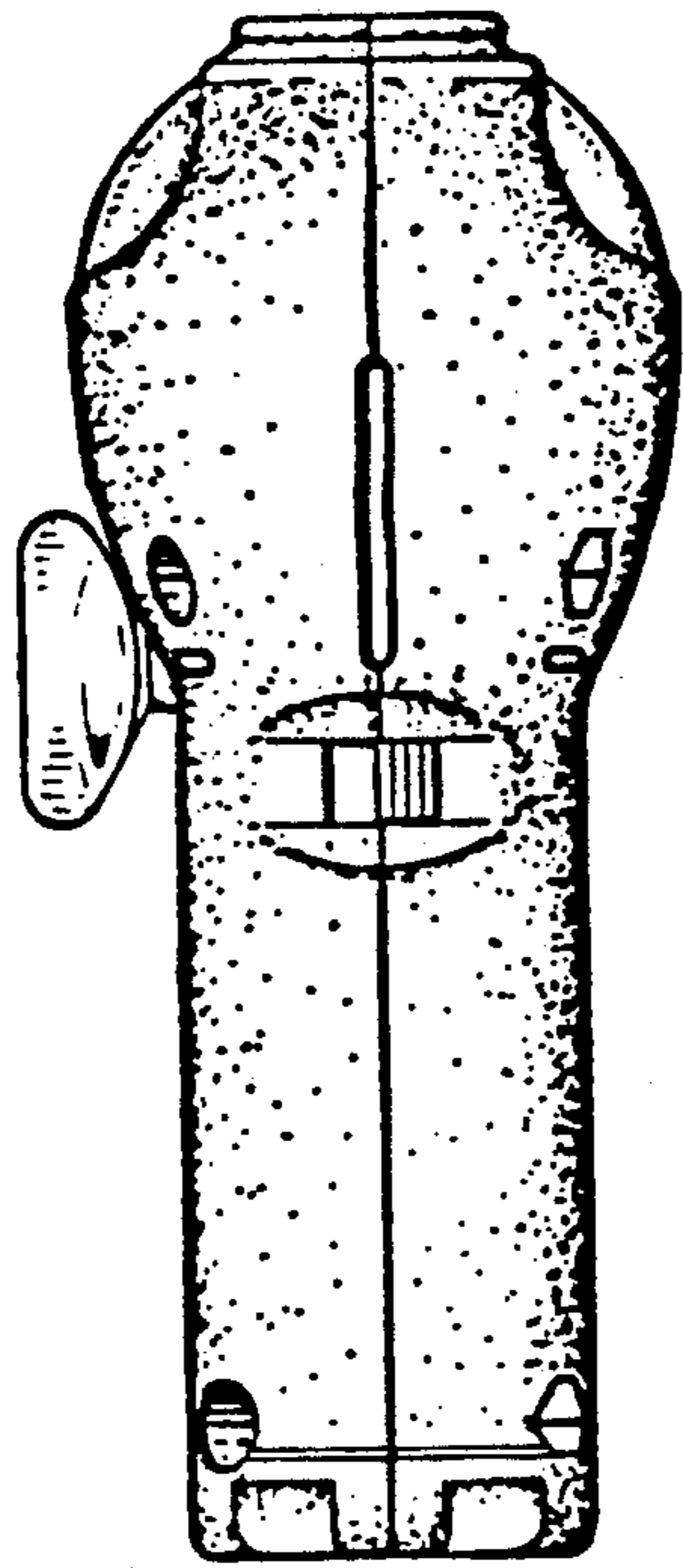


FIG. 6

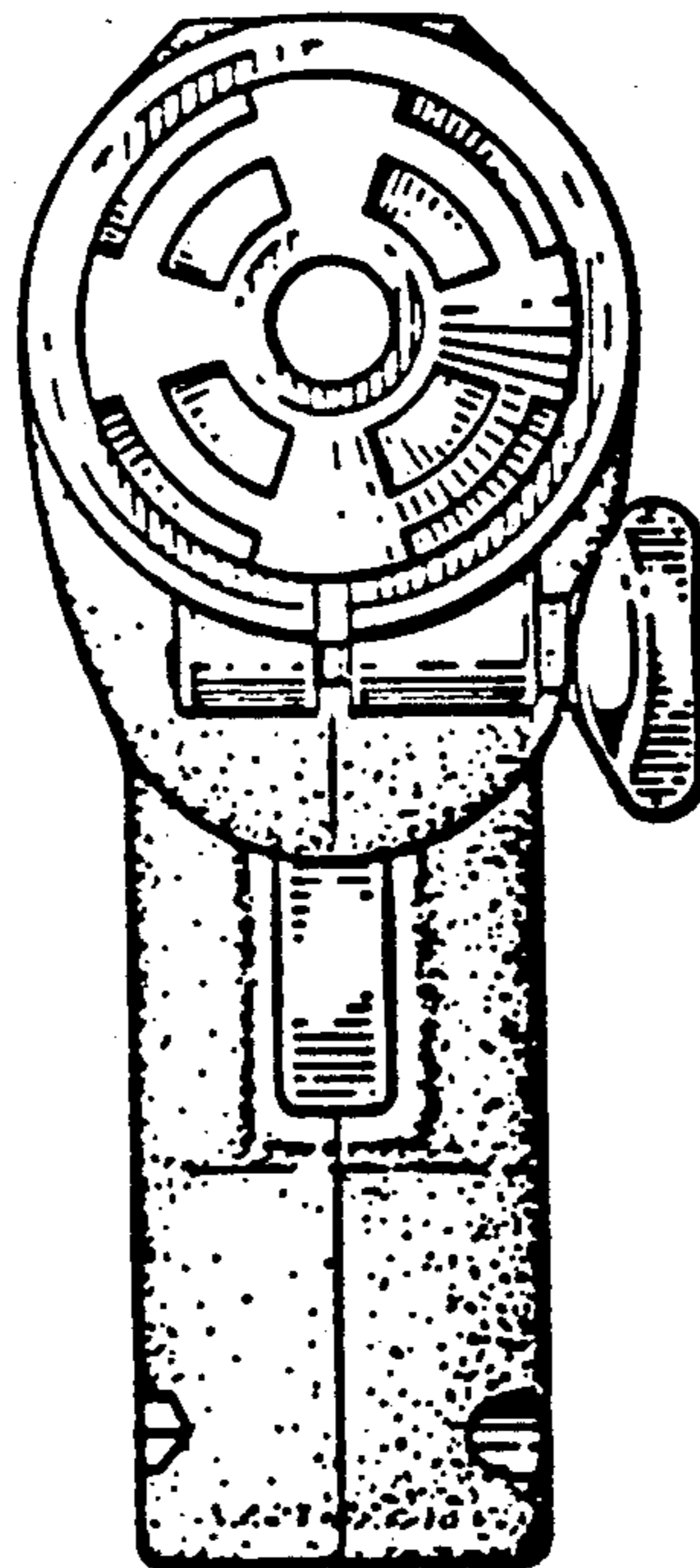


FIG. 7

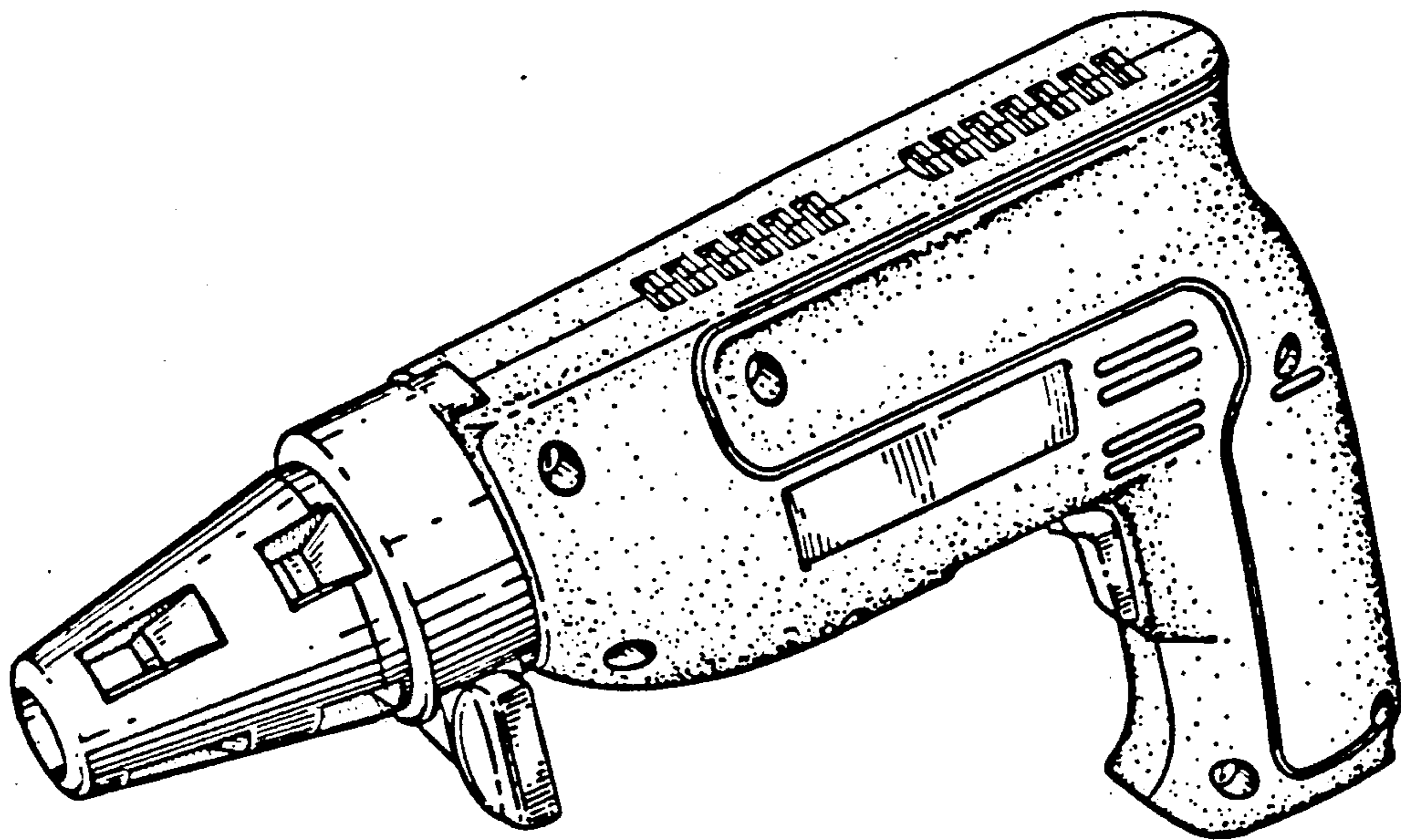


FIG. 8

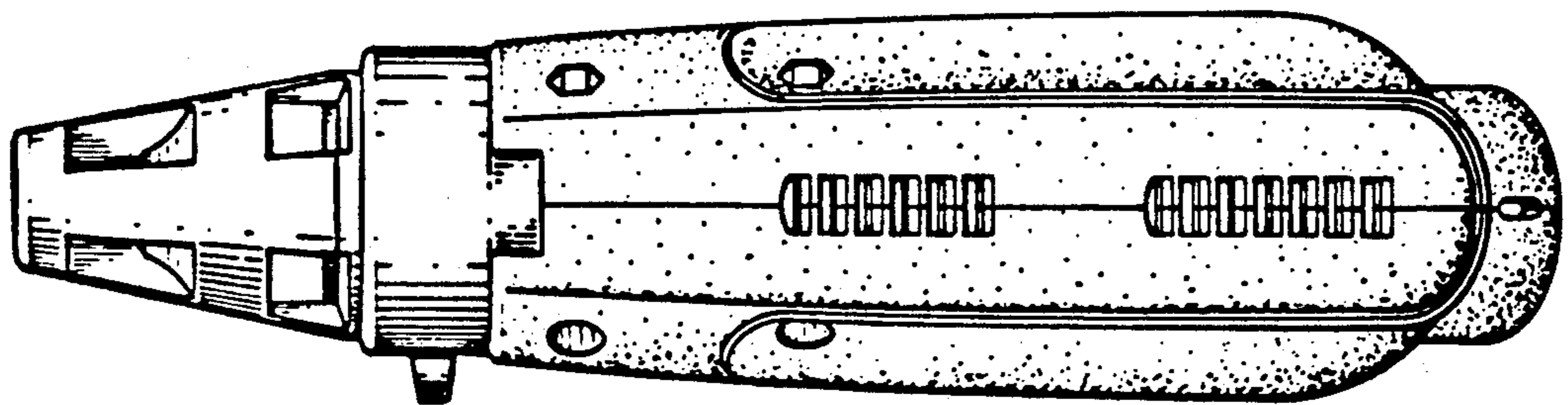


FIG. 9

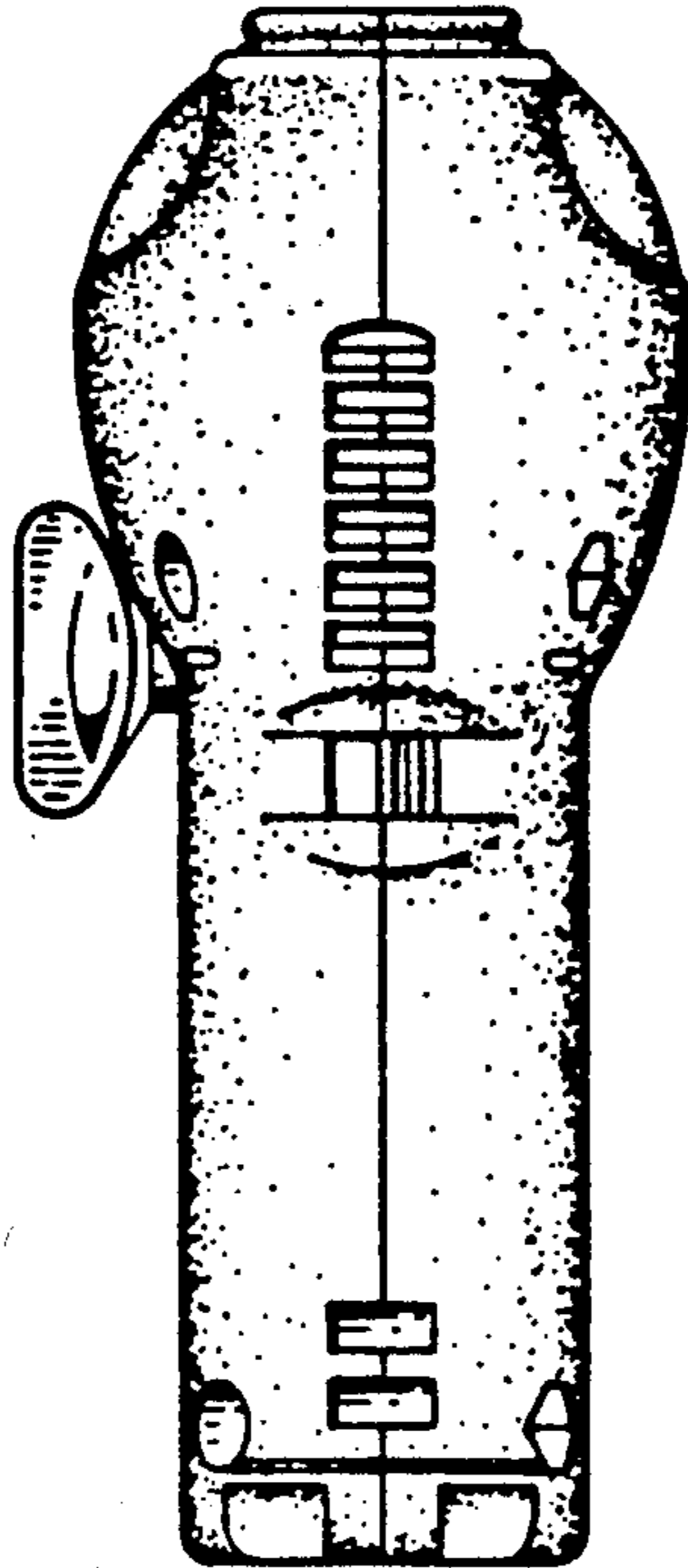


FIG. 10

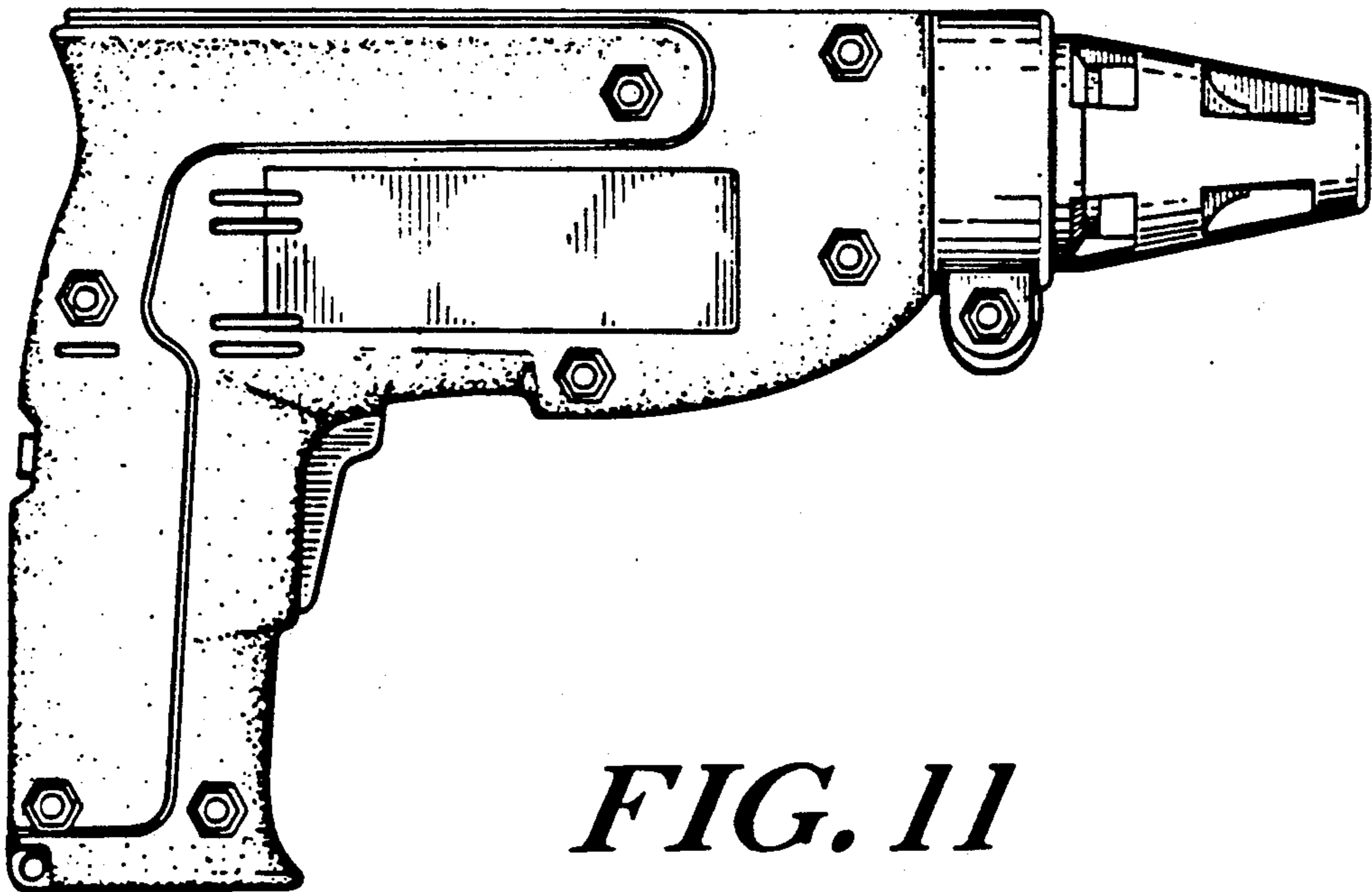


FIG. 11