



US00D325859S

United States Patent [19]

[11] Patent Number: **Des. 325,859**

Yokota et al.

[45] Date of Patent: **** May 5, 1992**

[54] CHAIN SAW
 [75] Inventors: Takao Yokota; Hiroshi Kanehagi,
 both of Hiroshima, Japan
 [73] Assignee: Ryobi Ltd., Hiroshima, Japan
 [**] Term: 14 Years
 [21] Appl. No.: 438,379
 [22] Filed: Nov. 20, 1989
 [30] Foreign Application Priority Data
 May 24, 1989 [JP] Japan 1-19100
 [52] U.S. Cl. D8/65
 [58] Field of Search D8/65, 69, 61, 62;
 30/381, 382, 383

4,683,659 8/1987 Wunsch et al. 30/381
 4,807,366 2/1989 Masato et al. 30/381

FOREIGN PATENT DOCUMENTS

661225 6/1985 Japan .
 661226 6/1985 Japan .
 661227 6/1985 Japan .

Primary Examiner—Nelson C. Holtje
Assistant Examiner—J. H. Musgrove
Attorney, Agent, or Firm—Sughrue, Mion, Zinn
 Macpeak & Seas

[57] CLAIM

The ornamental design for a chain saw, as shown.

DESCRIPTION

FIG. 1 is a front, top and right side perspective of a chain saw showing our new design;
 FIG. 2 is a right side elevational view thereof;
 FIG. 3 is a left side elevational view thereof;
 FIG. 4 is a top plan view thereof;
 FIG. 5 is a bottom plan view thereof;
 FIG. 6 is a front elevational view thereof; and,
 FIG. 7 is a rear elevational view thereof.

[56] References Cited
 U.S. PATENT DOCUMENTS
 D. 175,825 10/1955 Doman D8/65
 D. 237,352 10/1975 Shymkus D8/65
 D. 309,087 7/1990 Yamamoto et al. D8/65
 4,658,507 4/1987 Hazen 30/382

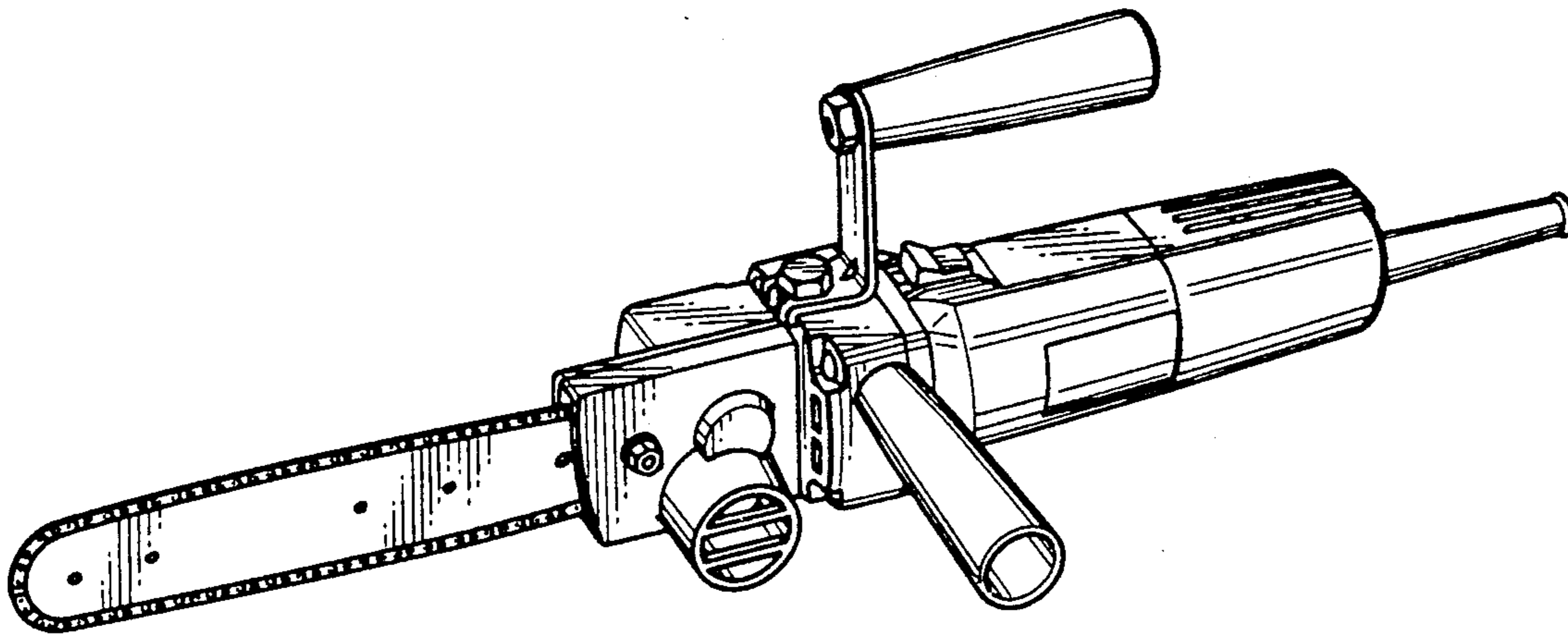


Fig. 1

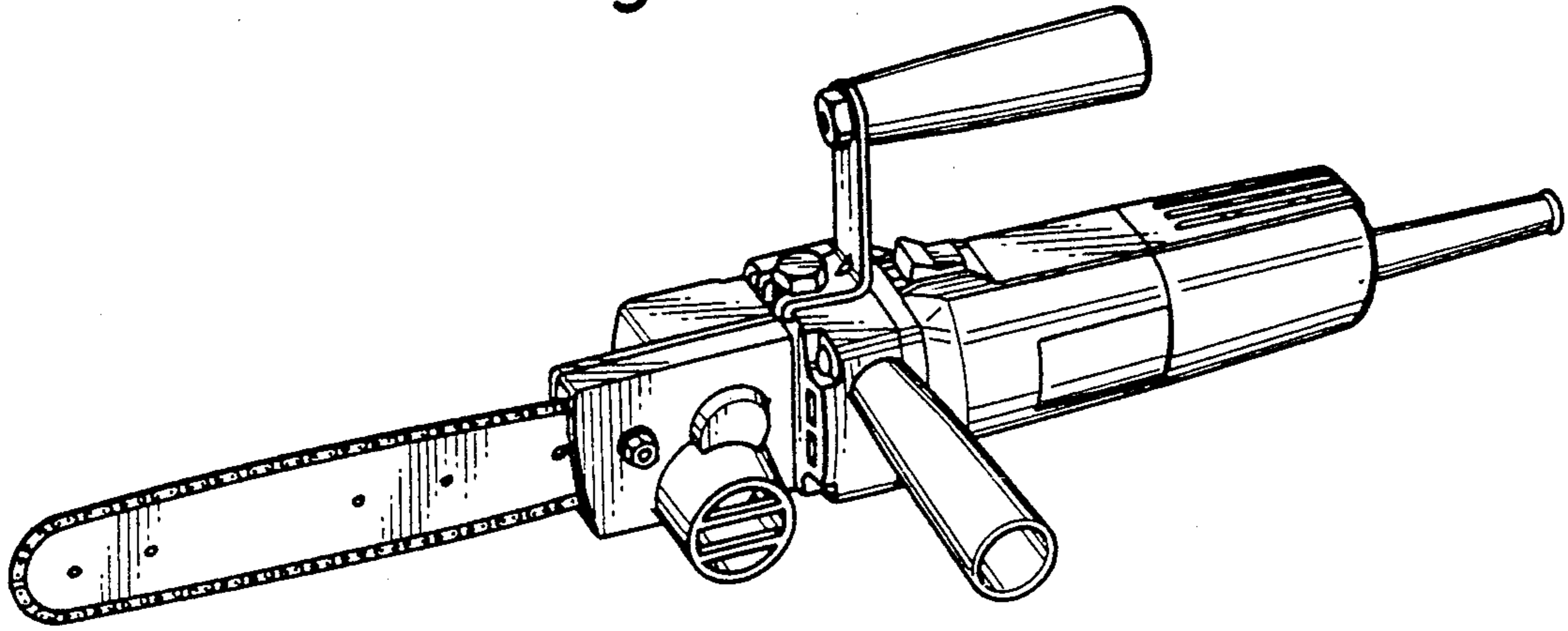


Fig. 2

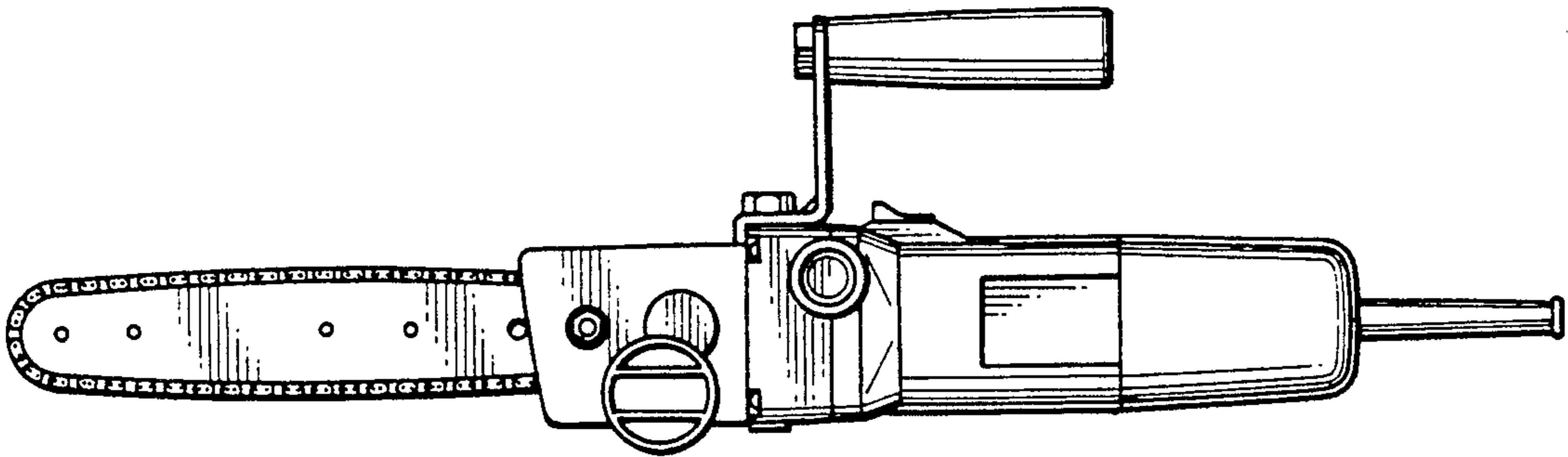


Fig. 3

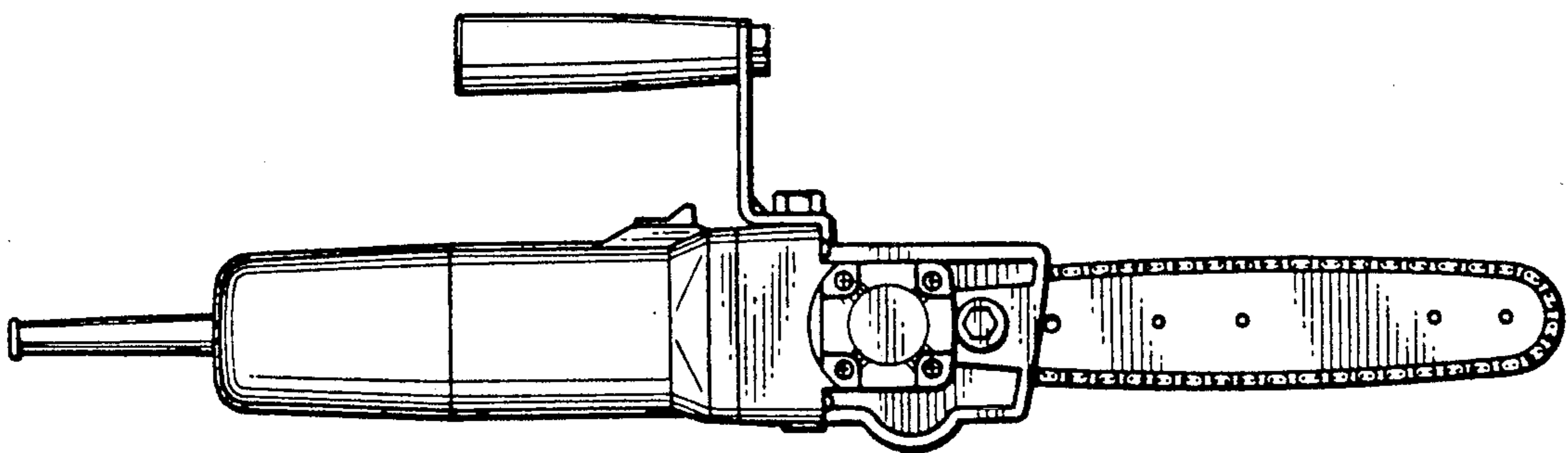


Fig. 4

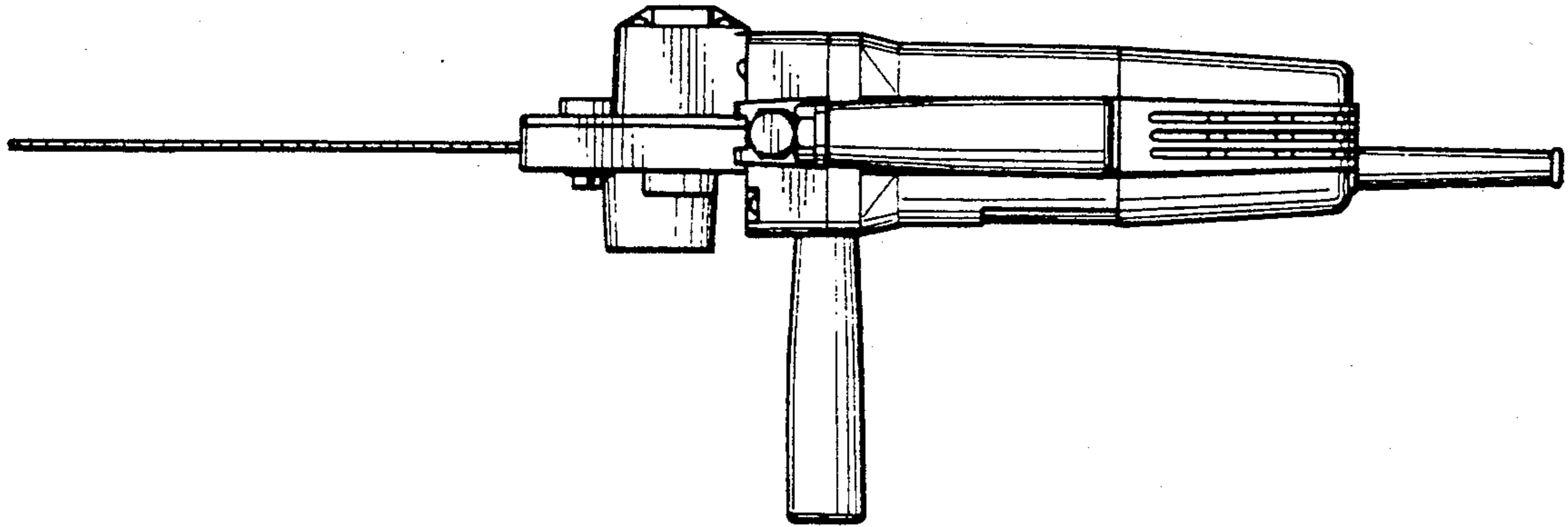


Fig. 5

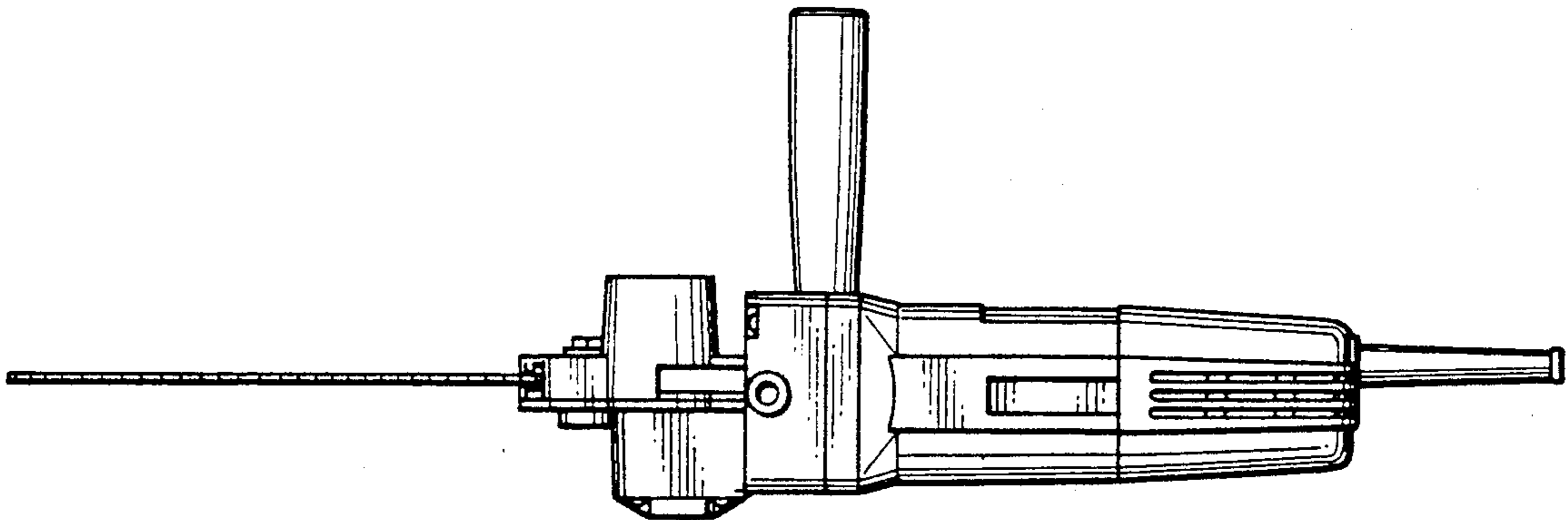


Fig. 6

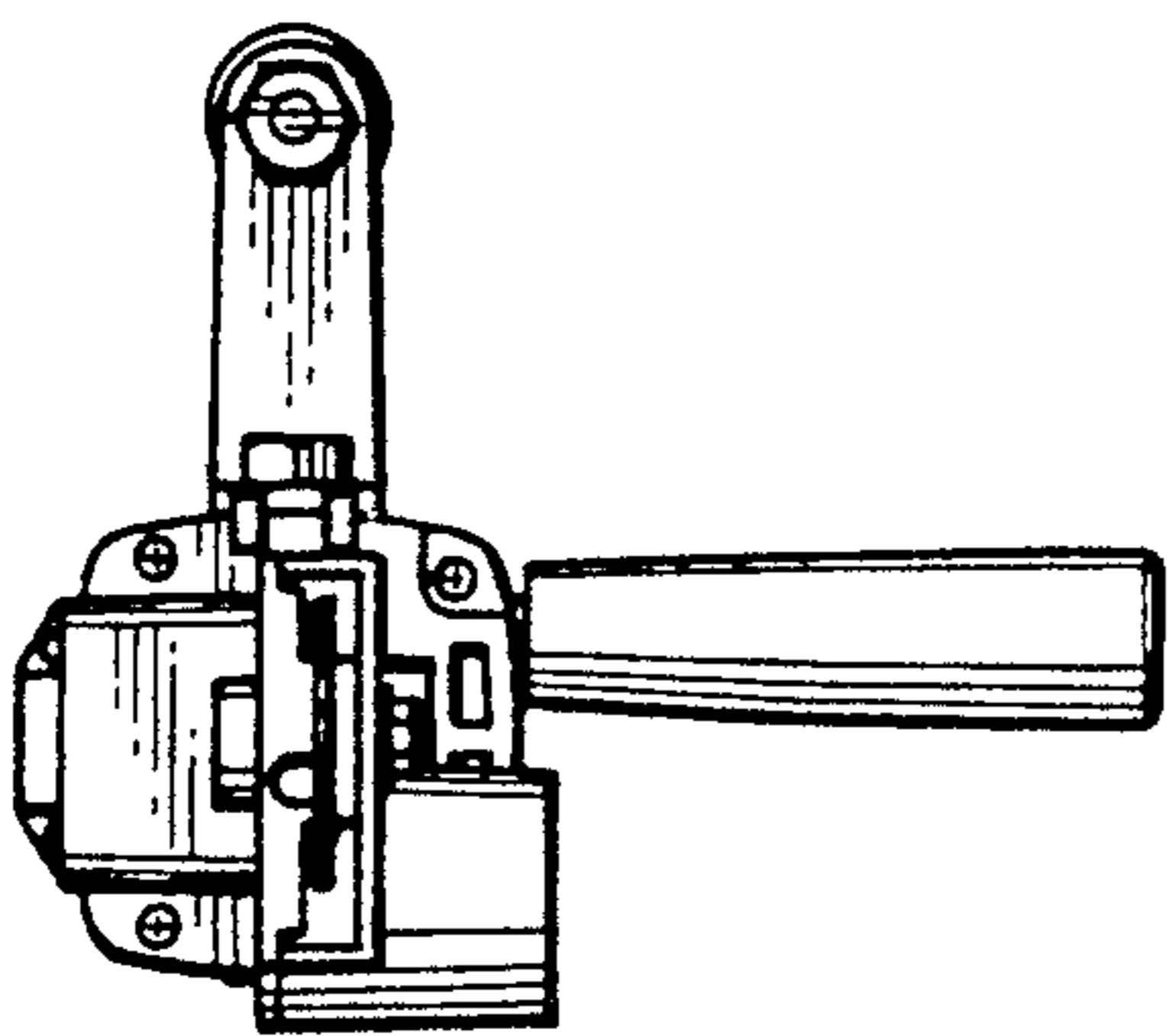


Fig. 7

