



US00D325856S

United States Patent [19]

Gierke

[11] Patent Number: Des. 325,856

[45] Date of Patent: ** May 5, 1992

[54] HEDGE TRIMMER

[75] Inventor: Martin P. Gierke, Baltimore, Md.

[73] Assignee: Black & Decker Inc., Newark, Del.

[**] Term: 14 Years

[21] Appl. No.: 500,825

[22] Filed: Mar. 22, 1990

[52] U.S. Cl. D8/8

[58] Field of Search D8/8; 307/328;
56/233-237

[56] References Cited

U.S. PATENT DOCUMENTS

- D. 225,296 12/1972 Boldt D8/8
- D. 313,538 1/1991 Fushiya et al. D8/8
- 3,309,769 3/1967 Maxson D8/8 X

OTHER PUBLICATIONS

Smith and Hawken, 1987, p. 38, Hedge Trimmer, Item A at top of page.

Primary Examiner—Wallace R. Burke

Assistant Examiner—H. Baynham

Attorney, Agent, or Firm—Charles E. Yocum; Dennis A. Dearing; John D. Del Ponti

[57] CLAIM

The ornamental design for a hedge trimmer, as shown.

DESCRIPTION

FIG. 1 is a top, side perspective view of a hedge trimmer showing my new design;
 FIG. 2 is a left side elevational view thereof;
 FIG. 3 is a right side elevational view thereof;
 FIG. 4 is a top plan view thereof;
 FIG. 5 is a bottom plan view thereof;
 FIG. 6 is a front elevational view thereof;
 FIG. 7 is a rear elevational view thereof;
 FIG. 8 is a top, side perspective view of the second embodiment of the design shown in FIG. 1;
 FIG. 9 is a left side elevational view thereof;
 FIG. 10 is a right side elevational view thereof;
 FIG. 11 is a top plan view thereof;
 FIG. 12 is a front elevational view thereof;
 FIG. 13 is a bottom plan view thereof; and,
 FIG. 14 is a rear elevational view thereof.

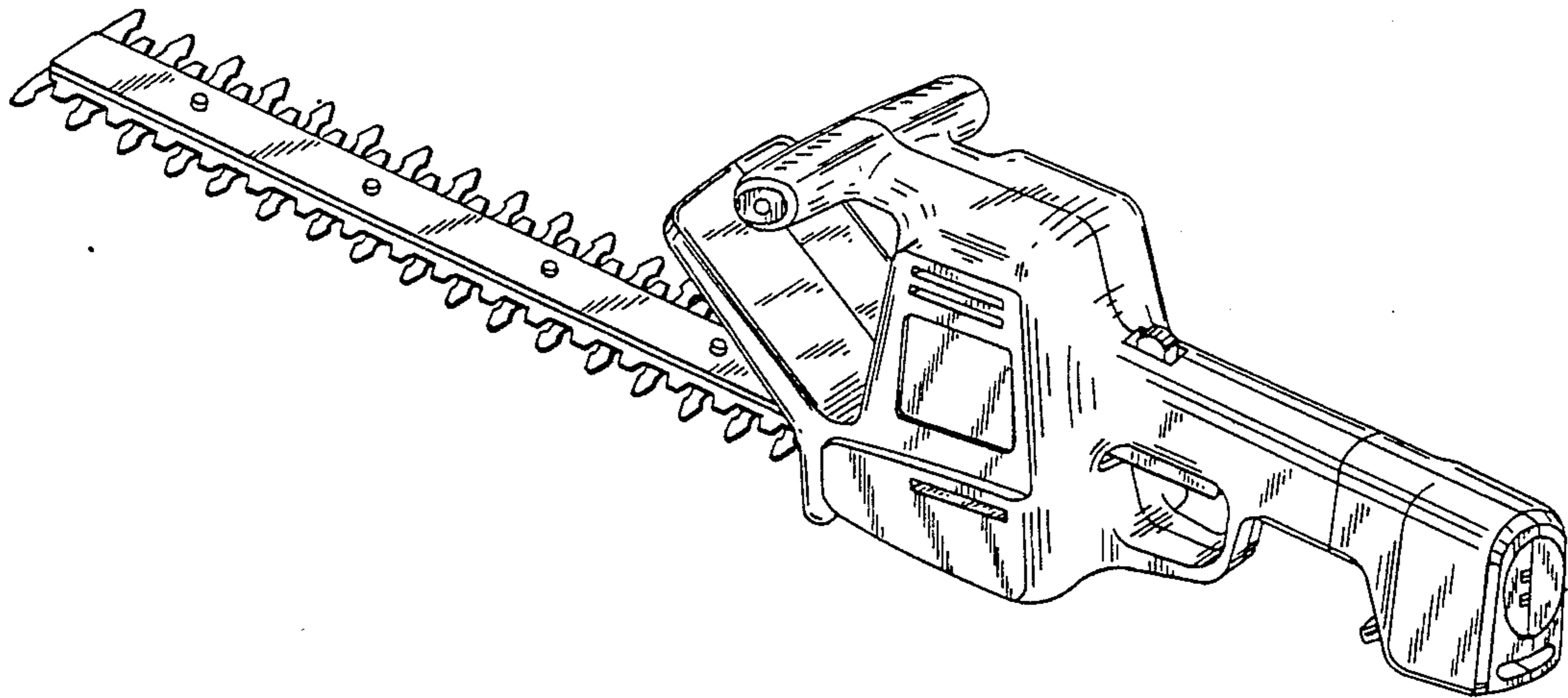
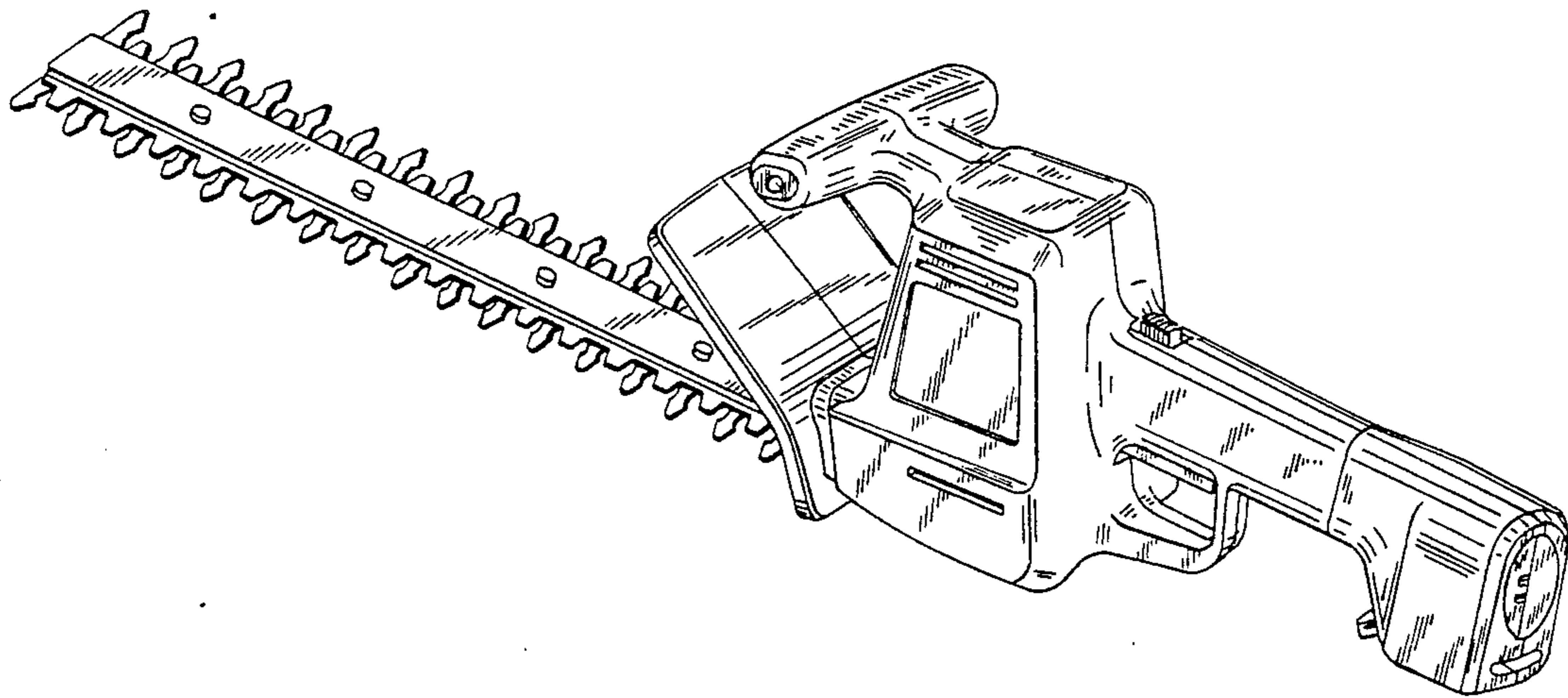
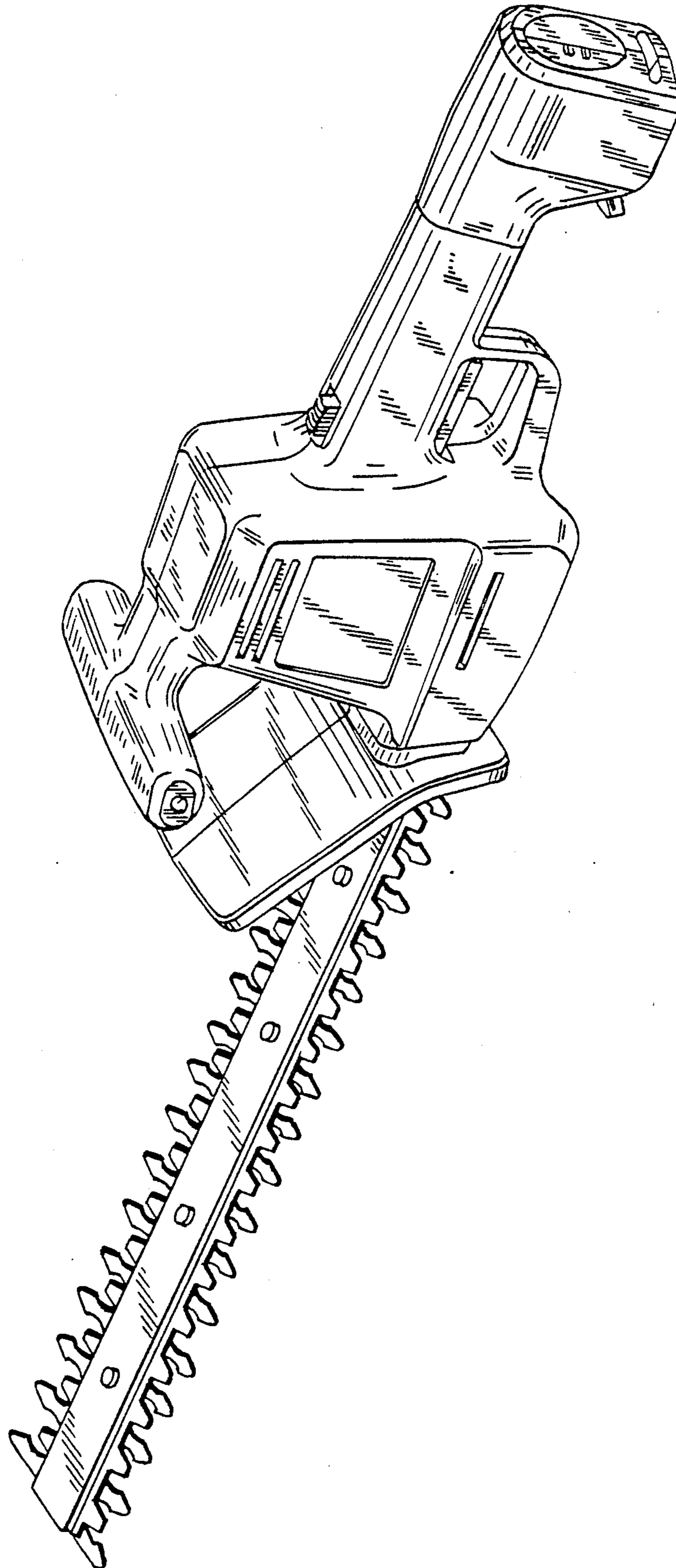


FIG. 1



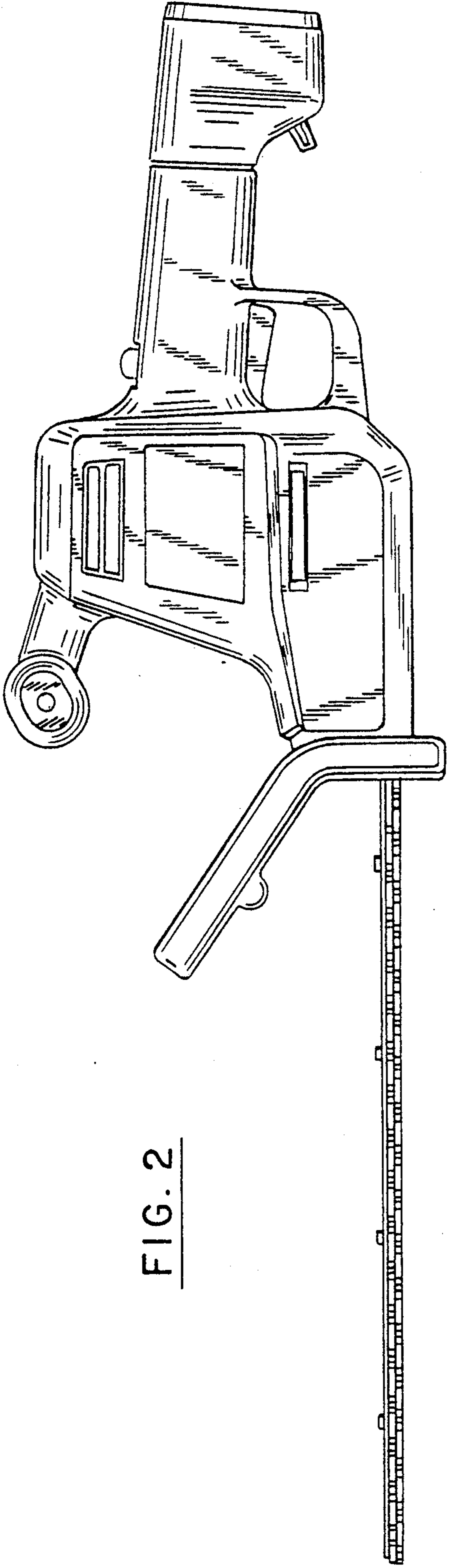


FIG. 2

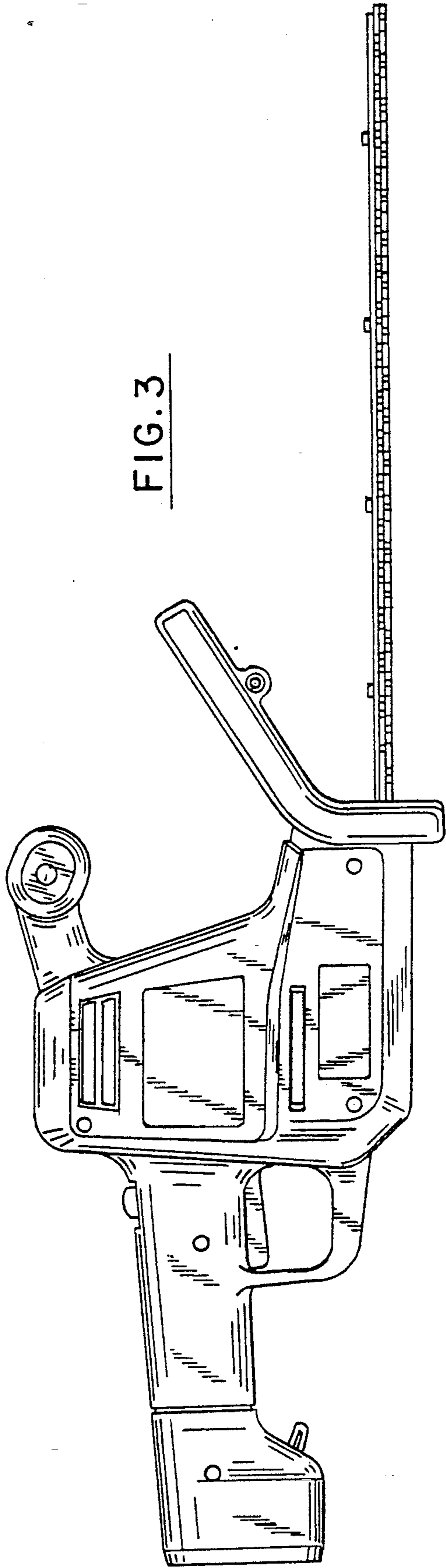


FIG. 3

FIG. 4

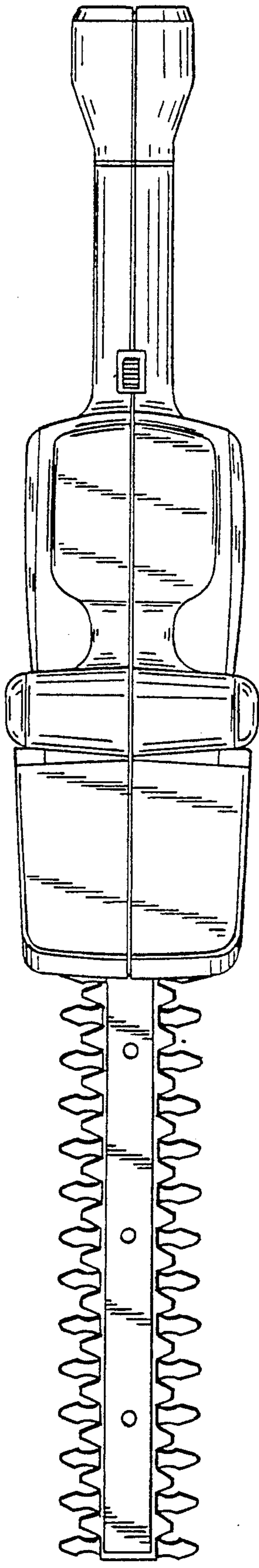


FIG. 5

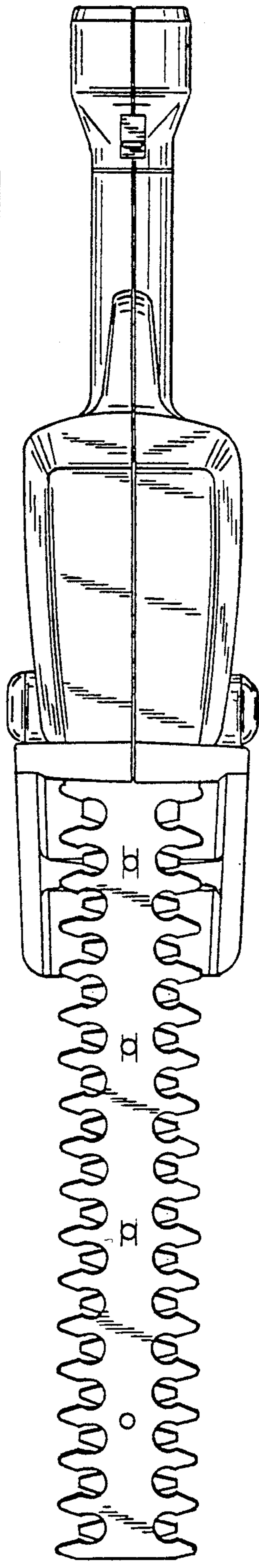


FIG. 7

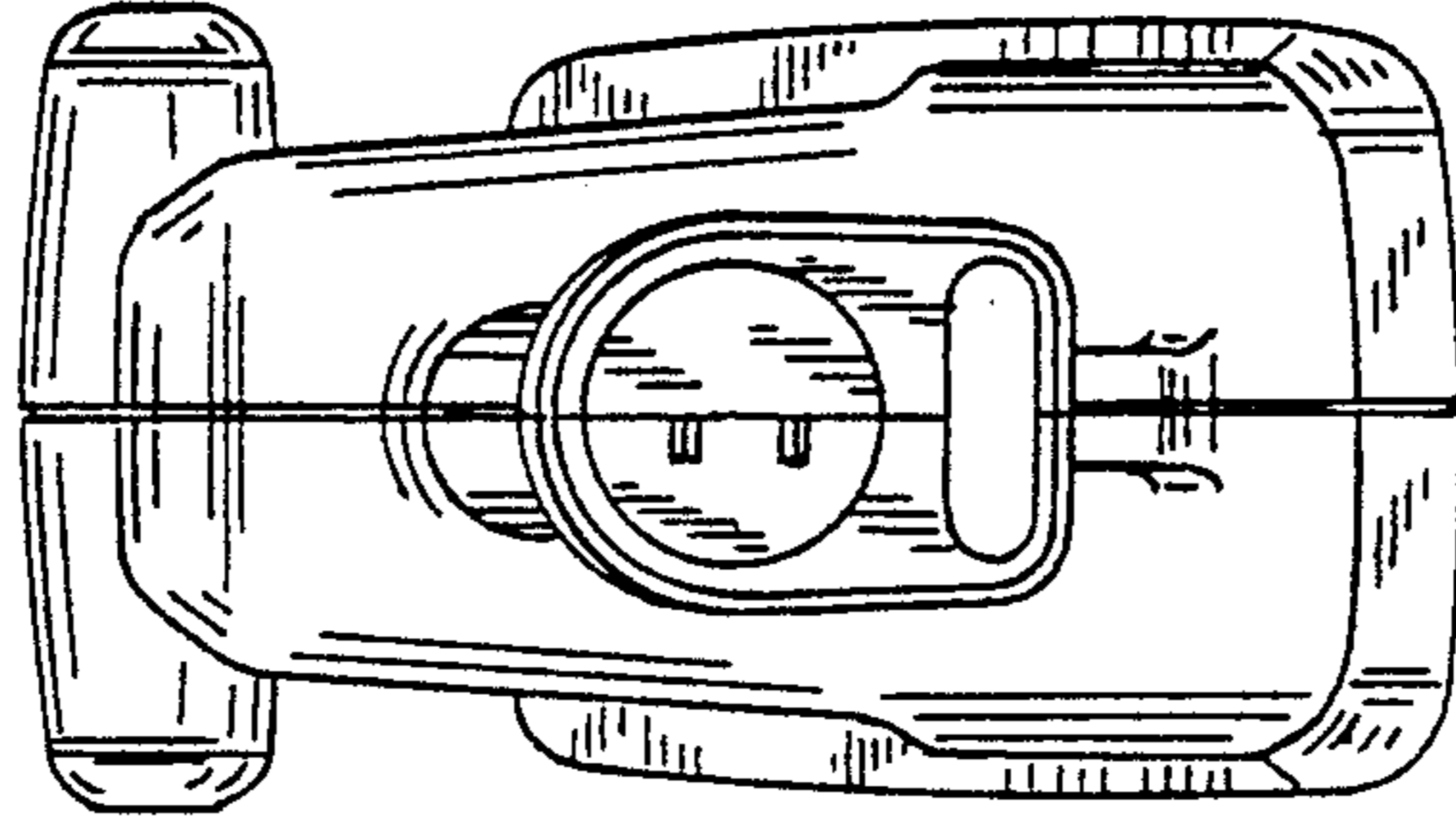
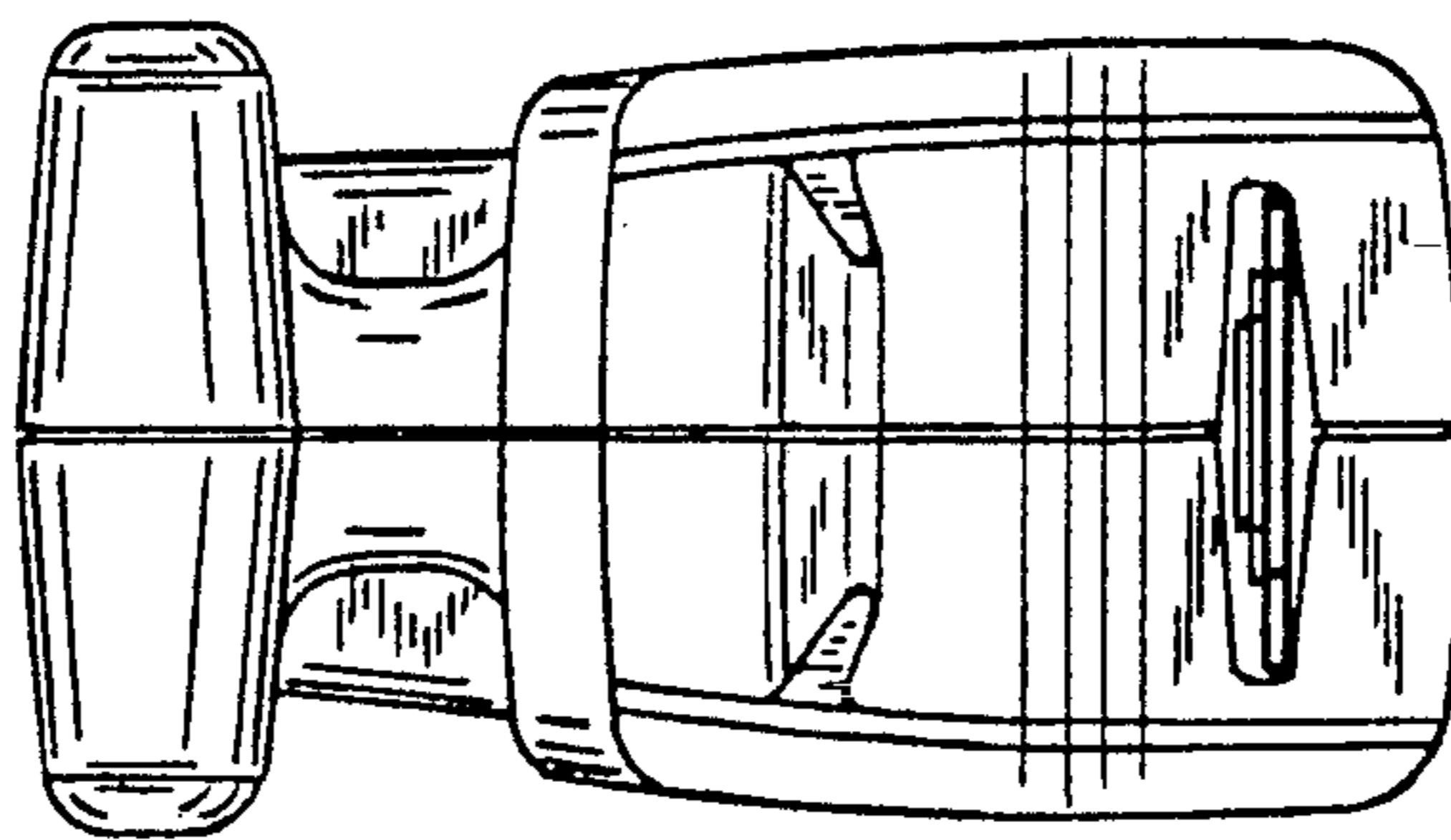


FIG. 6



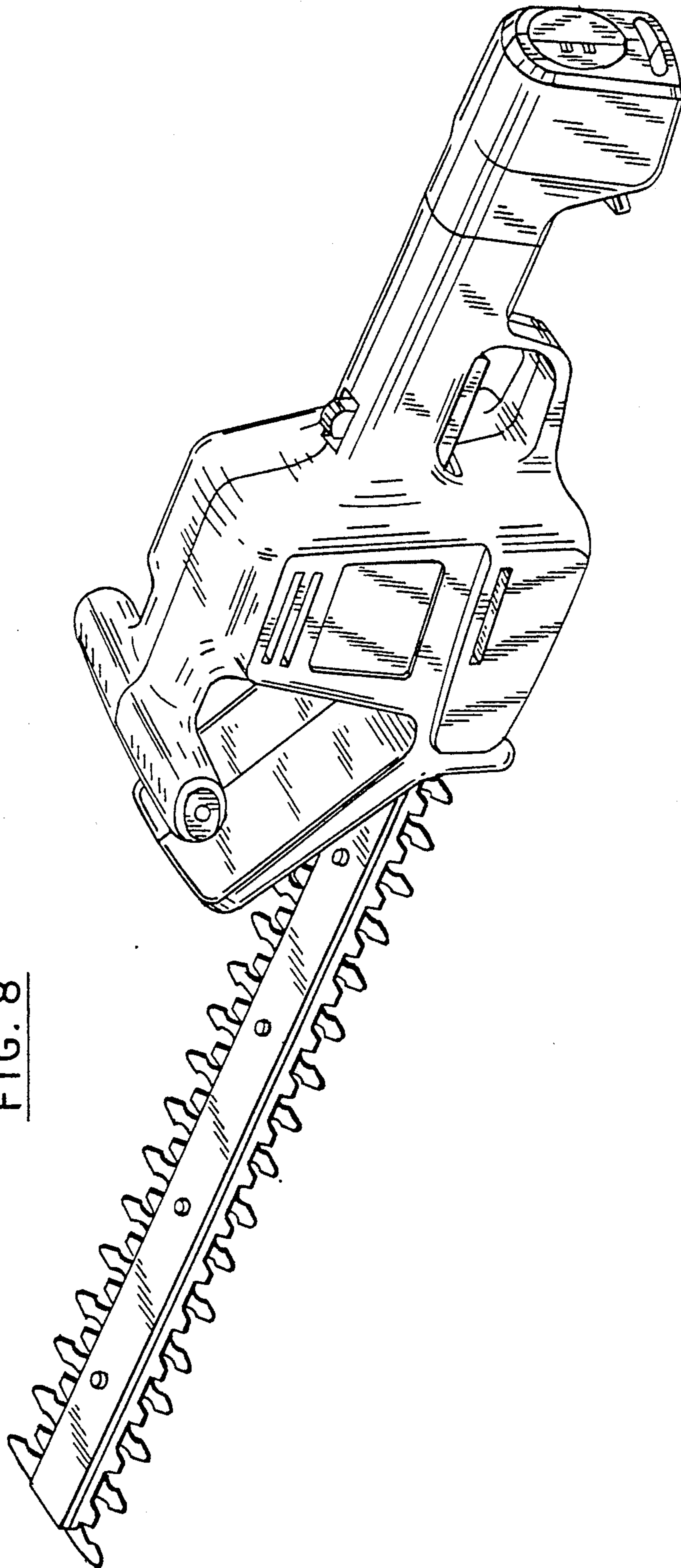


FIG. 8

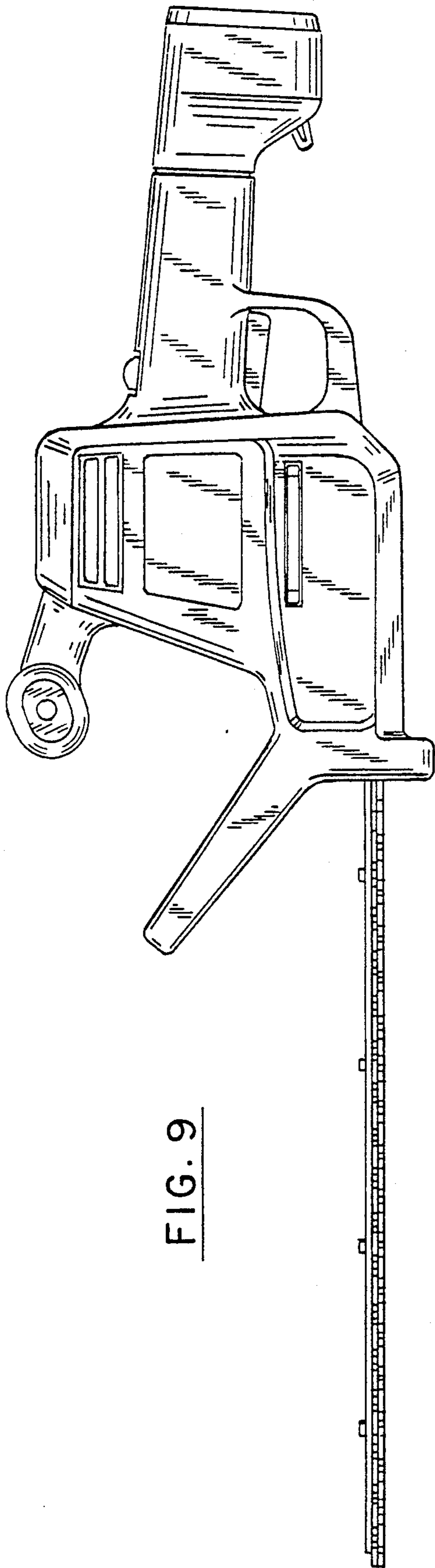


FIG. 9

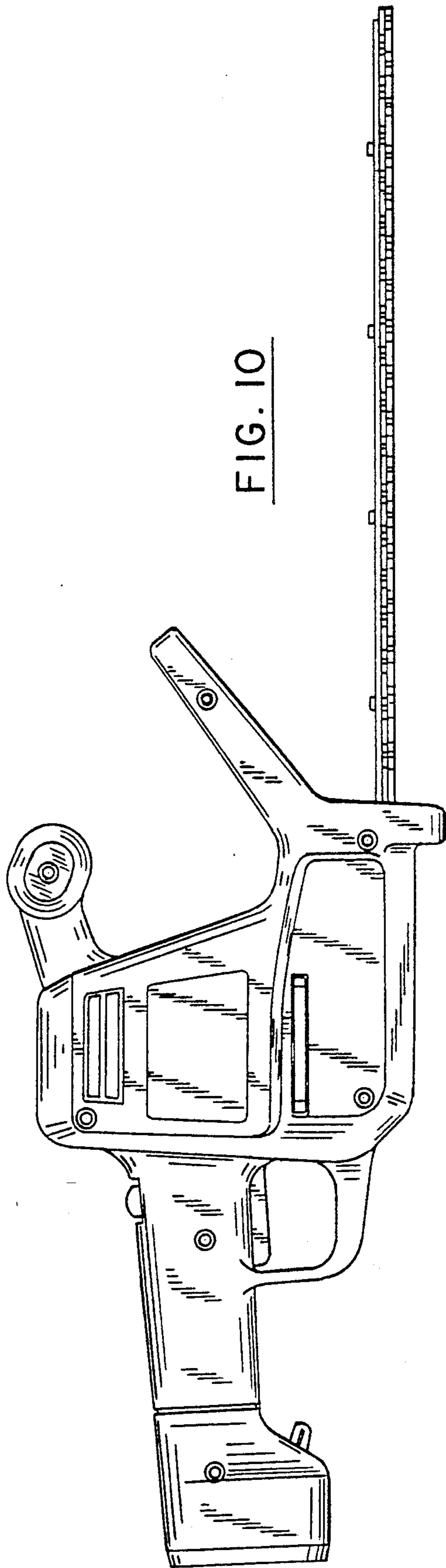


FIG. 10

FIG. 11

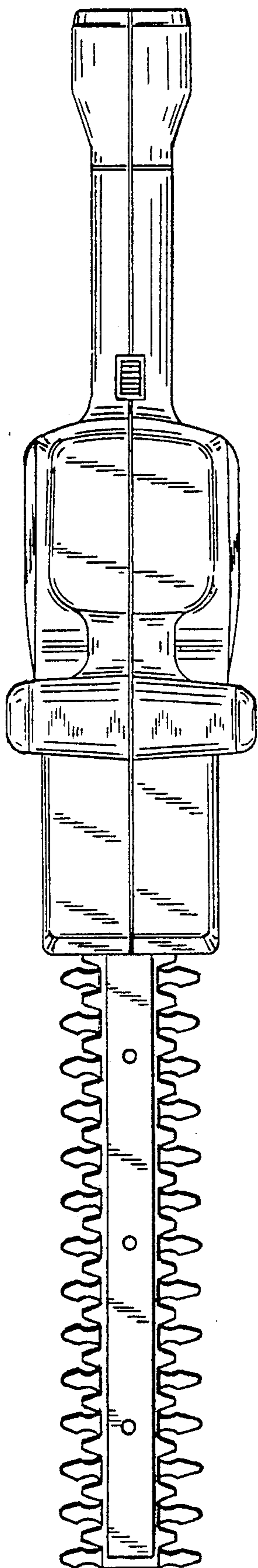


FIG. 12

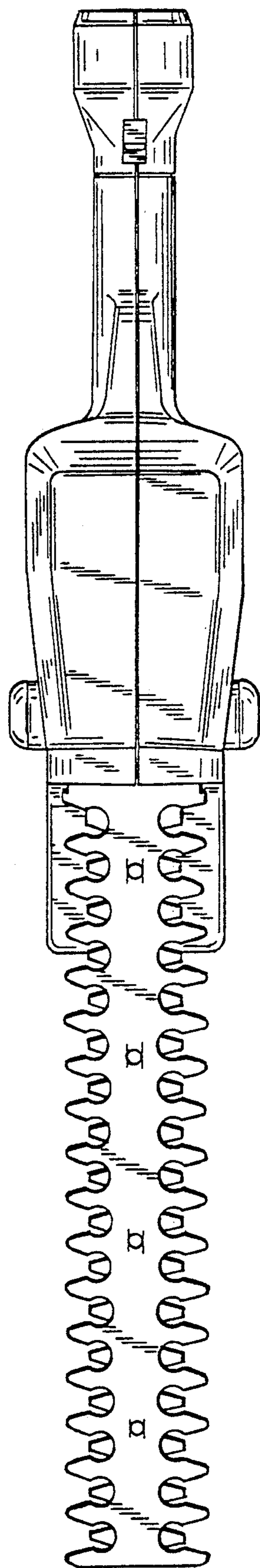


FIG. 14

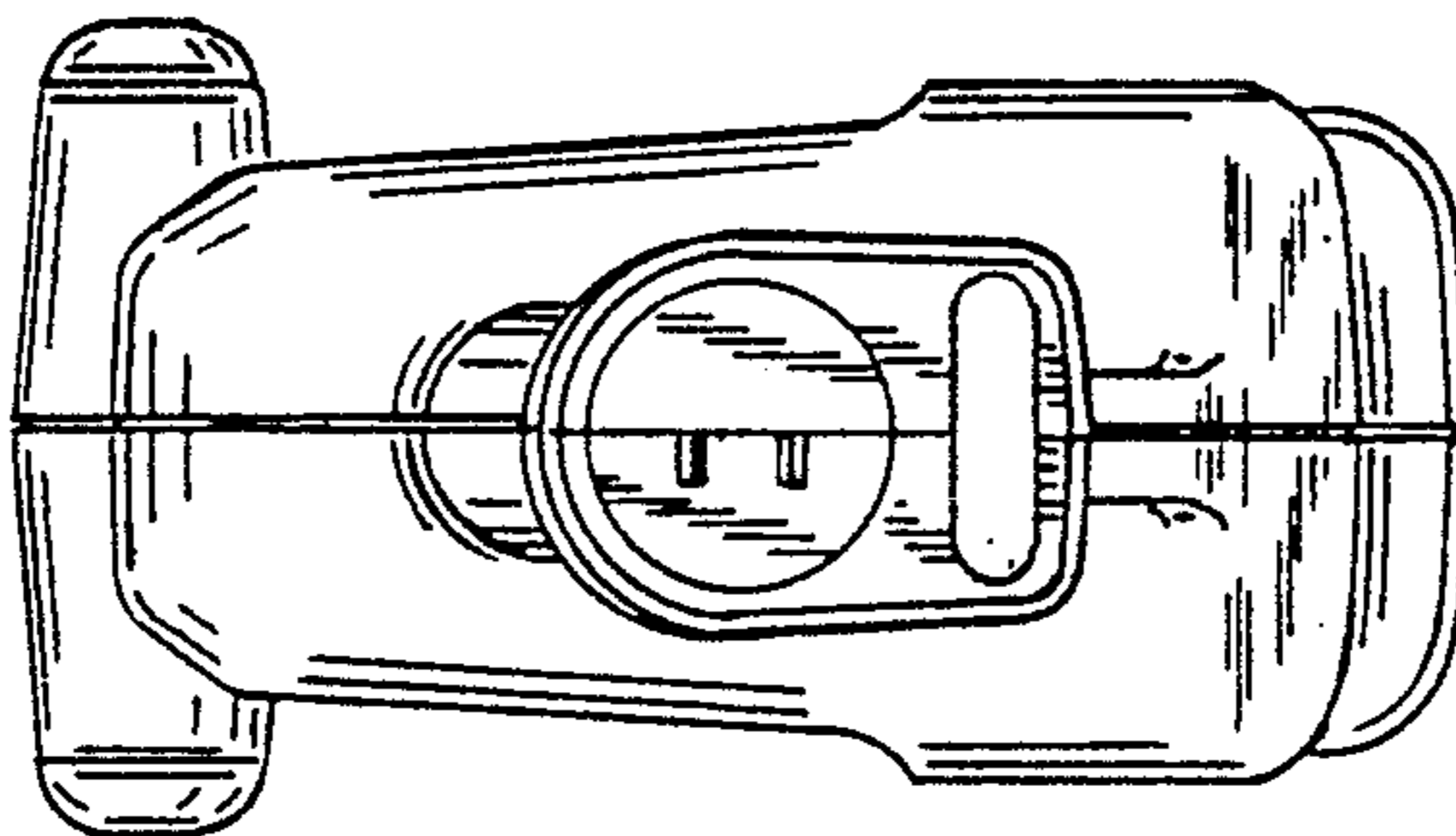


FIG. 13

