



US00D325854S

United States Patent [19]
Hofmann

[11] **Patent Number: Des. 325,854**
[45] **Date of Patent: ** May 5, 1992**

[54] **COMBINED CAKE DECORATING NOZZLE AND RECEPTACLE**

[56]

References Cited

U.S. PATENT DOCUMENTS

2,928,533 3/1960 Loucony 425/191 X
3,423,793 1/1969 Anger 425/191
3,847,523 11/1974 Parrish et al. 425/191

OTHER PUBLICATIONS

Better Homes & Gardens, Nov. 1972, p. 157, Cookie Press.

Primary Examiner—Terry A. Pfeffer
Attorney, Agent, or Firm—W. G. Fasse; D. H. Kane, Jr.

[75] **Inventor: Andreas Hofmann, Bad Camberg-Erbach, Fed. Rep. of Germany**

[73] **Assignee: F. Vaihinger GmbH & Co. Kommanditgesellschaft, Rodgau, Fed. Rep. of Germany**

[**] **Term: 14 Years**

[21] **Appl. No.: 410,791**

[22] **Filed: Sep. 21, 1989**

[30] **Foreign Application Priority Data**

Apr. 3, 1989 [DE] Fed. Rep. of Germany M8902449.4

[52] **U.S. Cl. D7/669**

[58] **Field of Search D7/669, 368, 387; 425/182, 190-191, 376.1, 461, 465, 467**

[57]

CLAIM

The ornamental design of a combined cake decorating nozzle and receptacle, as shown and described.

DESCRIPTION

FIG. 1 is a front elevational view of a combined cake decorating nozzle and receptacle showing my new design;

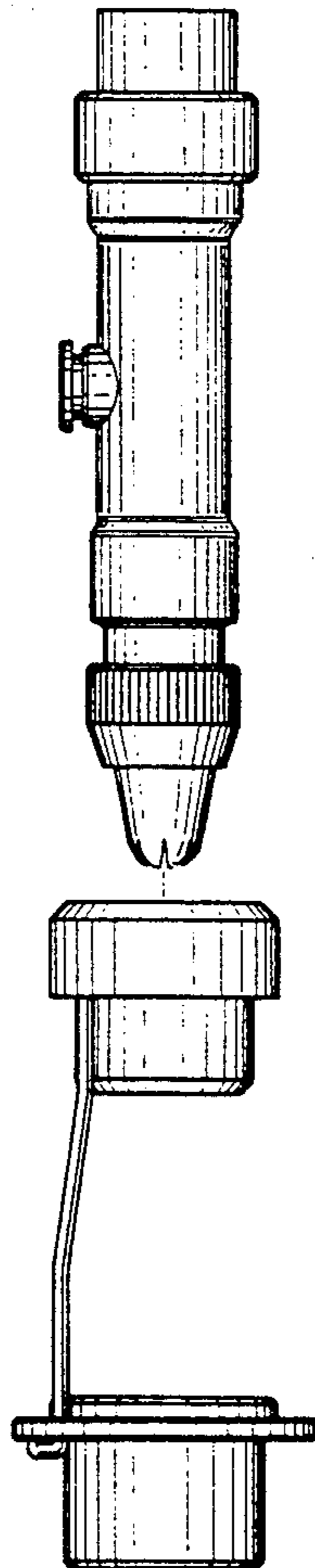
FIG. 2 is a left side elevational view thereof;

FIG. 3 is a right side elevational view thereof;

FIG. 4 is a top plan view thereof;

FIG. 5 is a bottom plan view thereof; and,

FIG. 6 is a rear elevational view thereof.



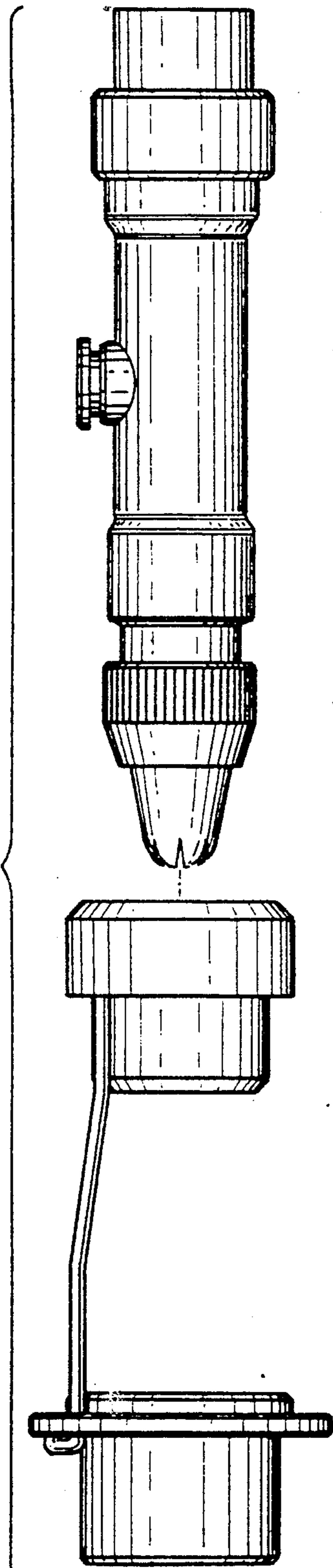


FIG. 1

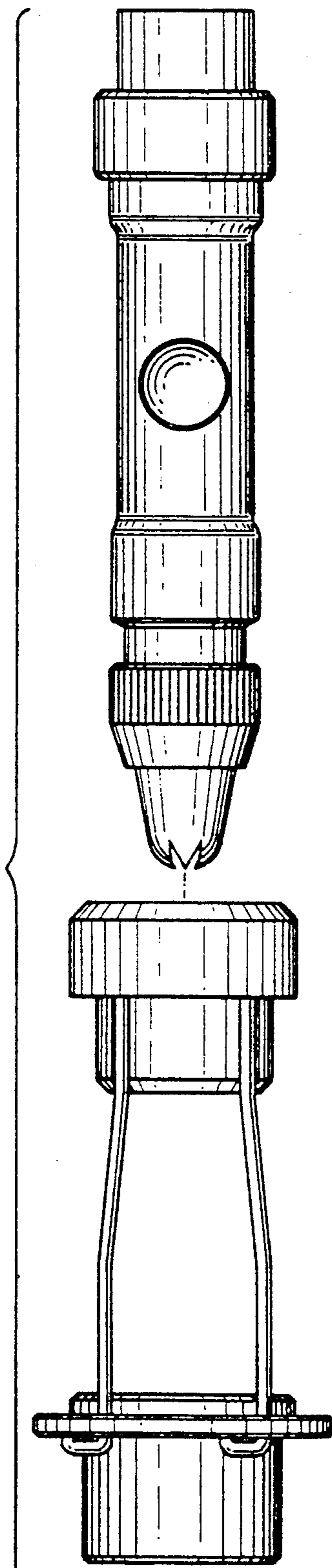


FIG. 2

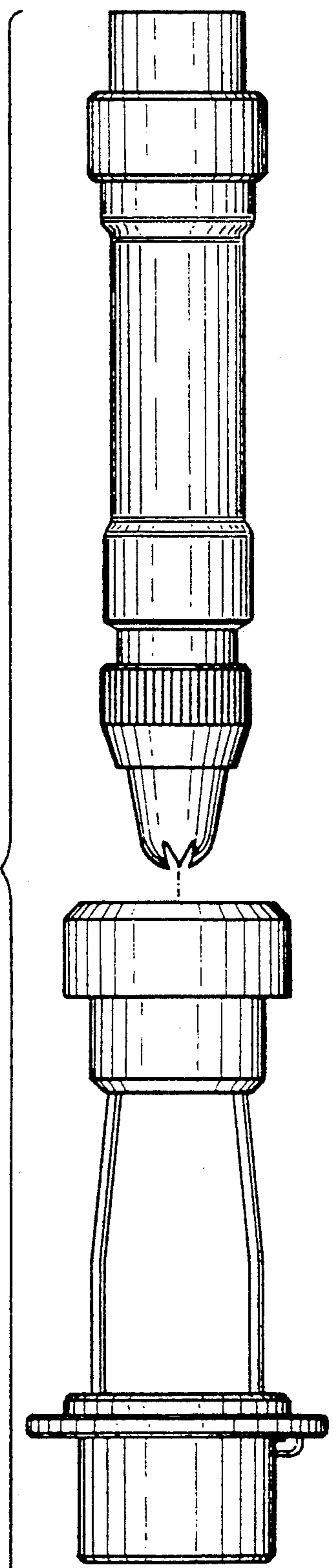


FIG. 3

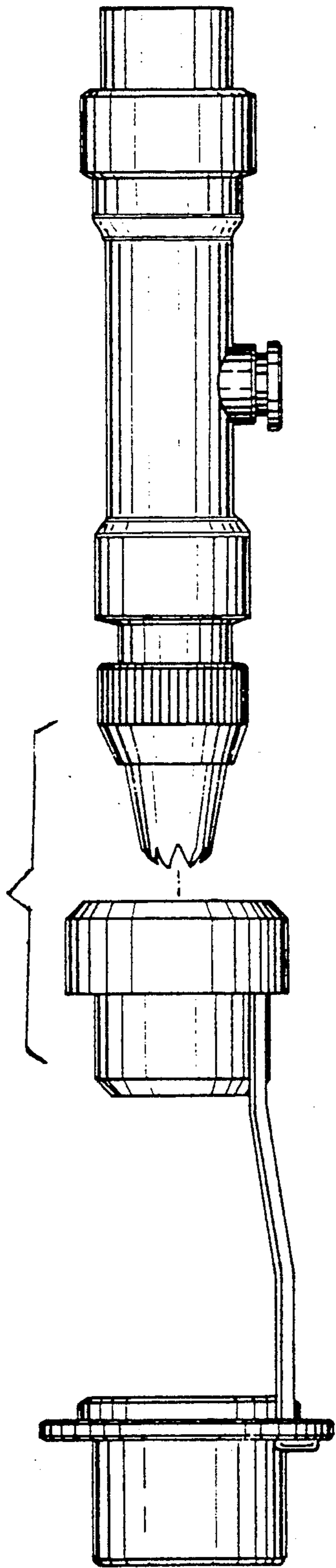


FIG. 6

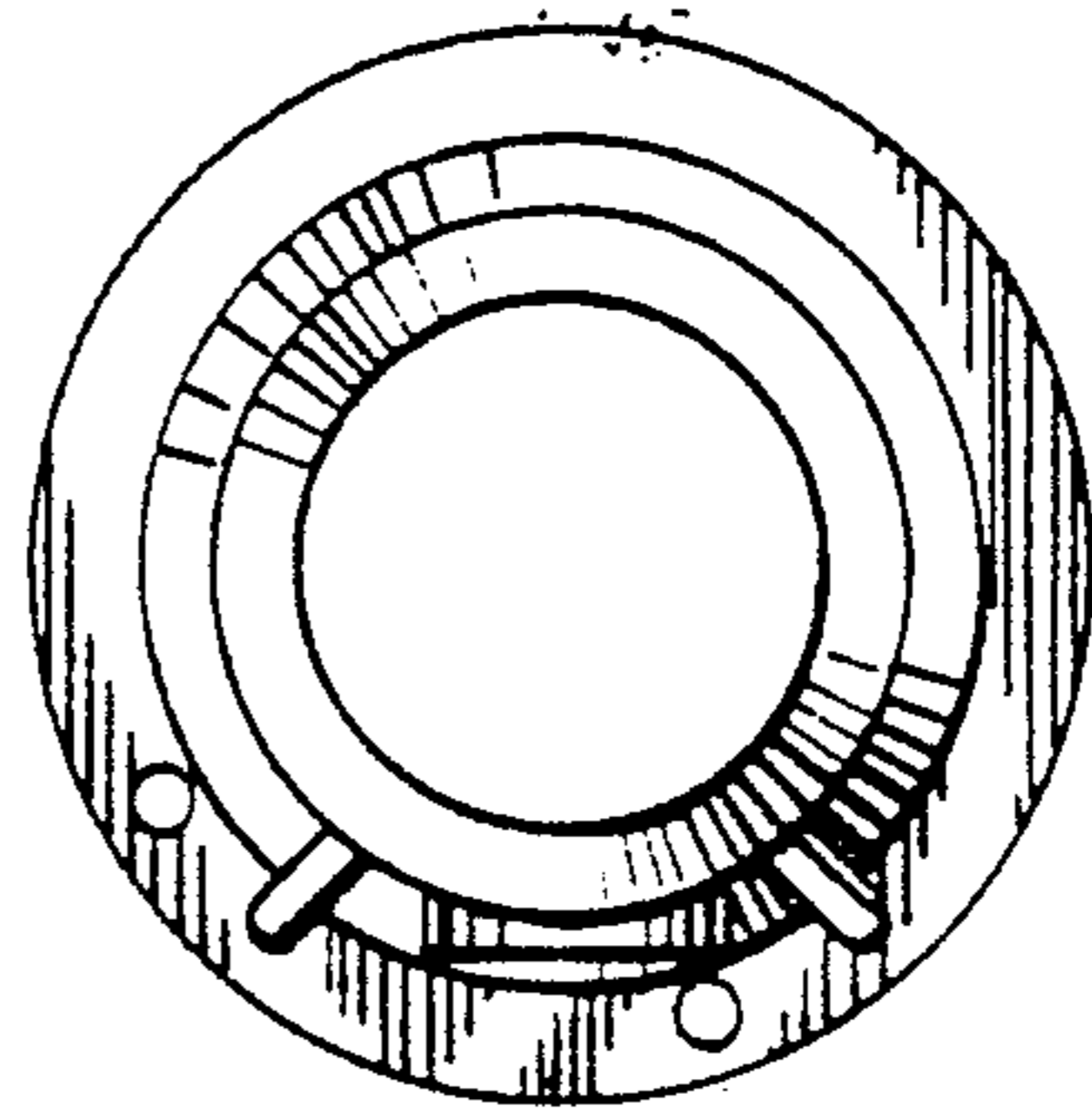


FIG. 4

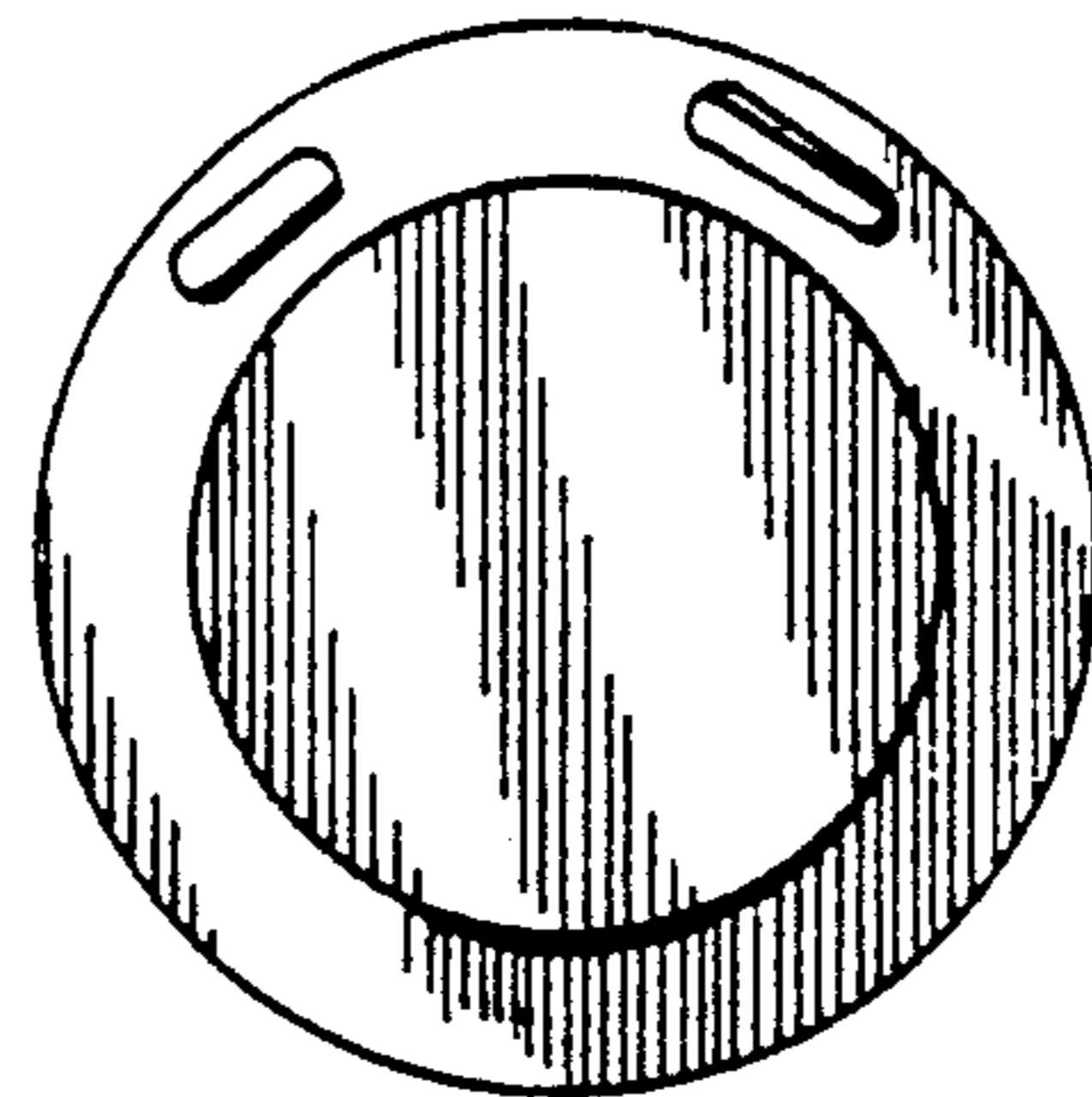


FIG. 5