



US00D325853S

**United States Patent** [19]  
**Kahl**

[11] **Patent Number: Des. 325,853**

[45] **Date of Patent: \*\* May 5, 1992**

[54] **INSULATED COOLER**

[75] **Inventor: W. Henry Kahl, Wooster, Ohio**

[73] **Assignee: Rubbermaid Incorporated, Wooster, Ohio**

[\*\*] **Term: 14 Years**

[21] **Appl. No.: 519,562**

[22] **Filed: May 7, 1990**

[52] **U.S. Cl. .... D7/605**

[58] **Field of Search ..... D7/605-608;  
62/457.1, 457.2, 457.7; 206/541, 545**

[56] **References Cited**

**U.S. PATENT DOCUMENTS**

D. 283,480 4/1986 Bailey ..... D7/605

*Primary Examiner—Terry A. Pfeffer*

*Attorney, Agent, or Firm—Richard B. O'Planick*

[57] **CLAIM**

The ornamental design for an insulated cooler, as shown and described.

**DESCRIPTION**

FIG. 1 is a right front perspective view of an insulated cooler showing my new design;

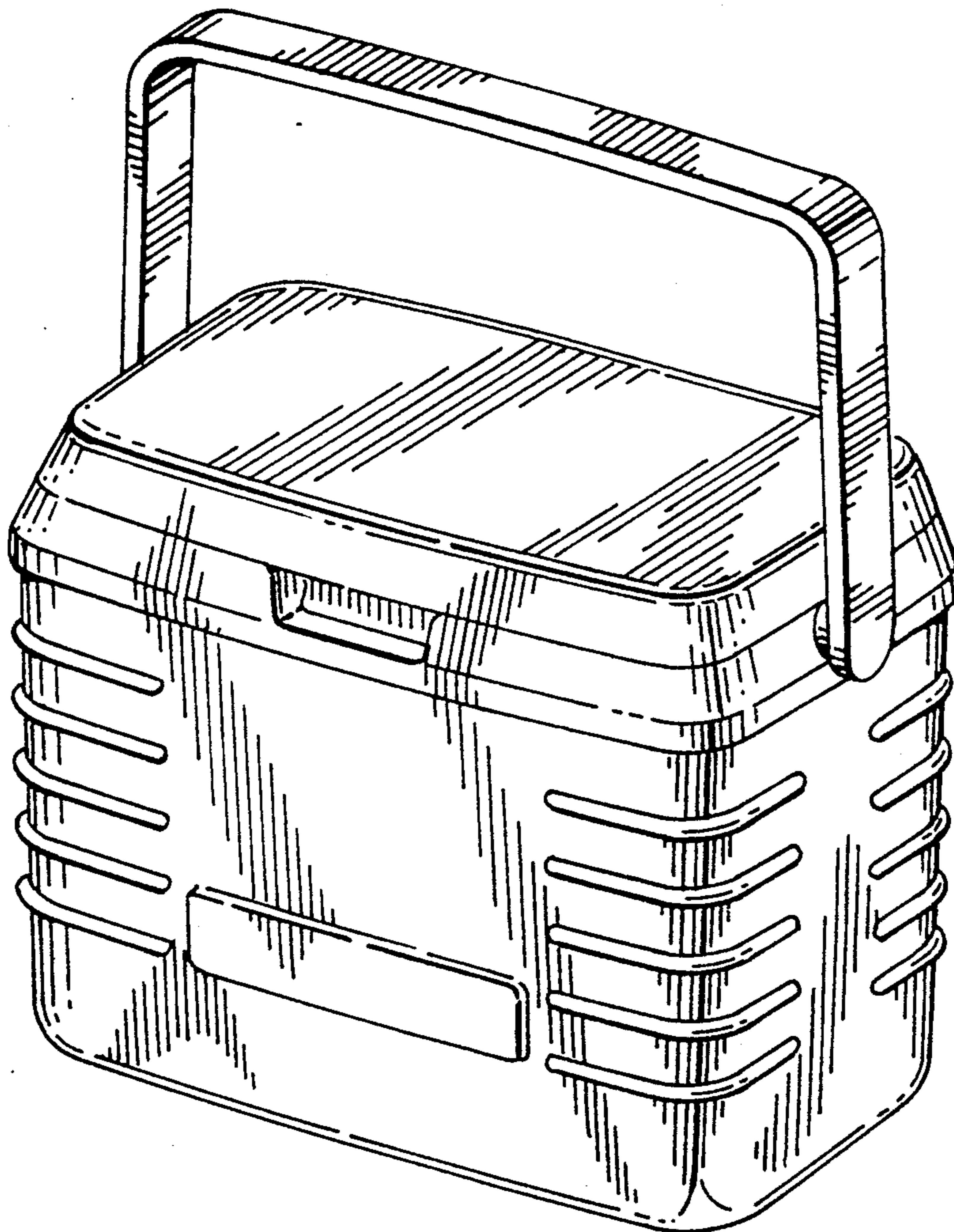
FIG. 2 is a top plan view thereof;

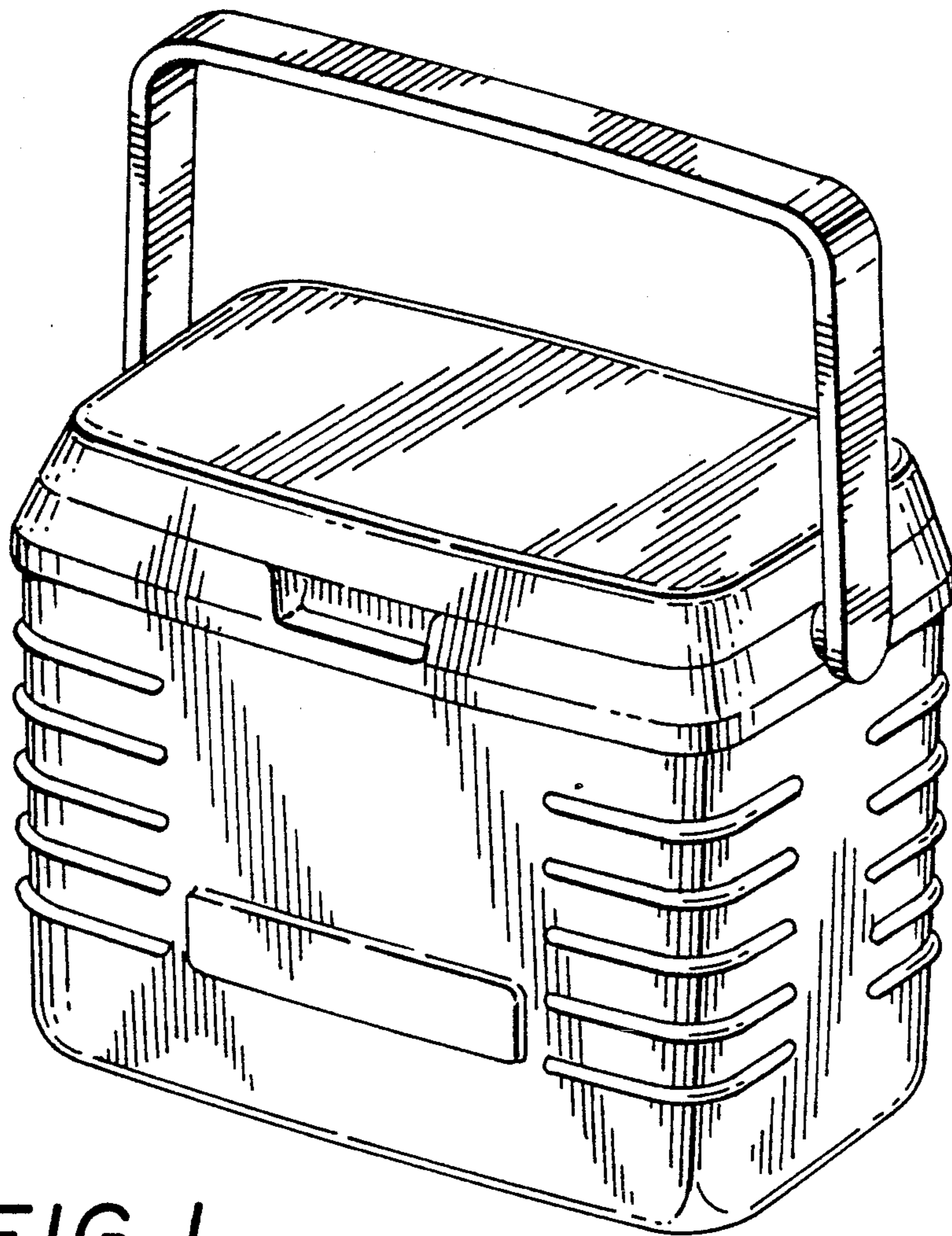
FIG. 3 is a bottom plan view thereof;

FIG. 4 is a side elevational view thereof; the opposite side being a mirror image;

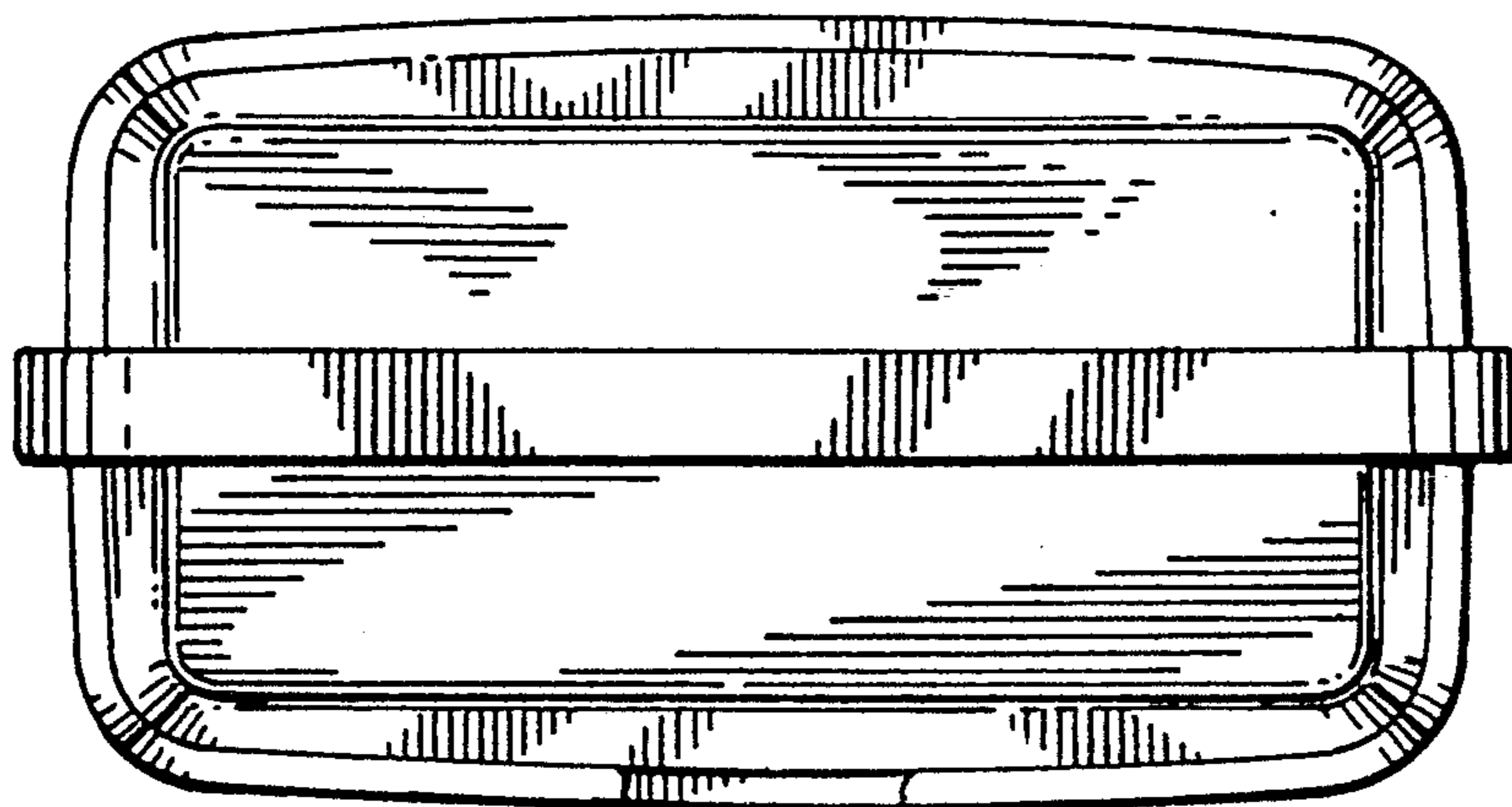
FIG. 5 is a front elevational view thereof; and,

FIG. 6 is a rear elevational view thereof.





**FIG. 1**



**FIG. 2**

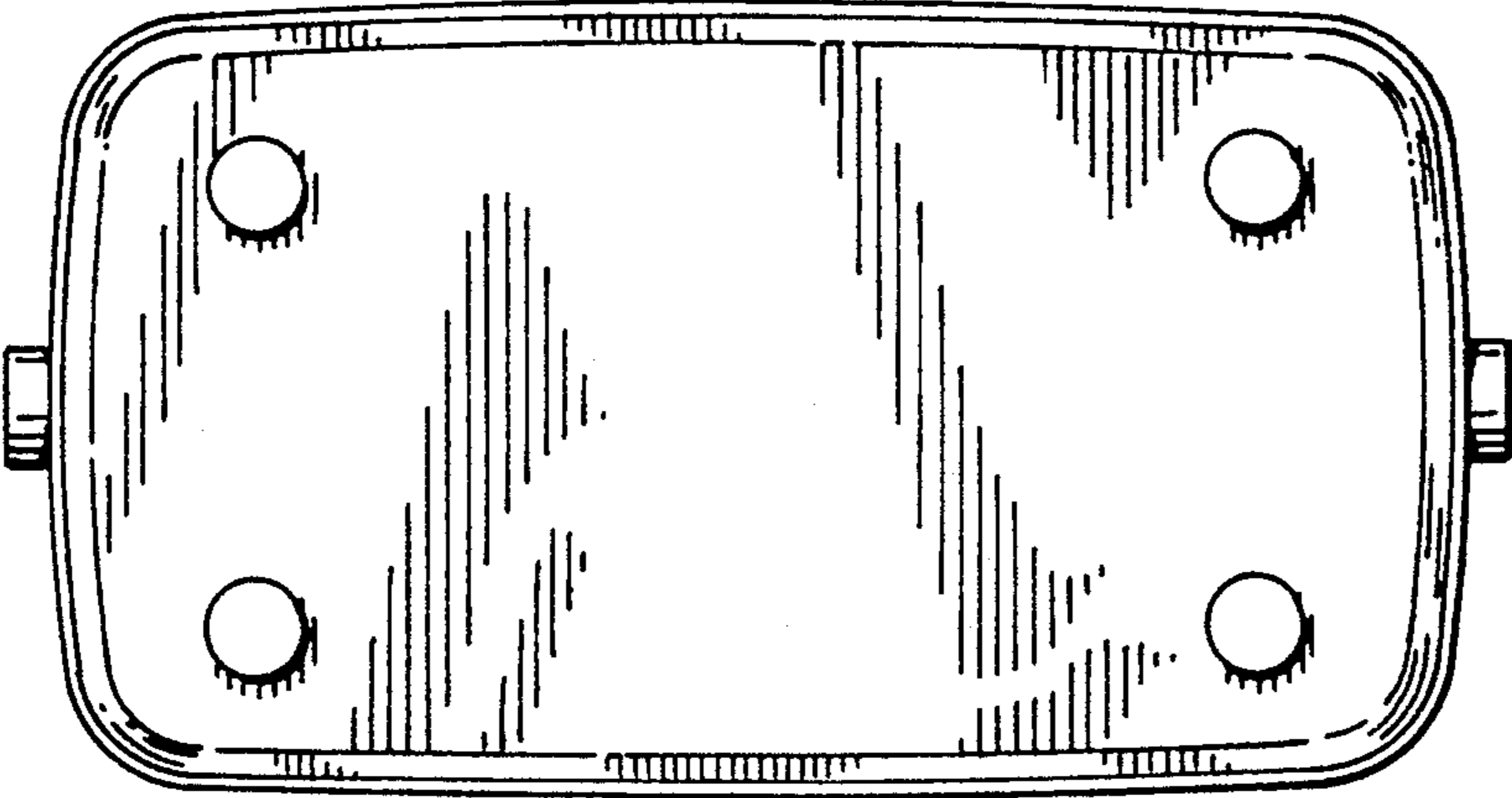


FIG. 3

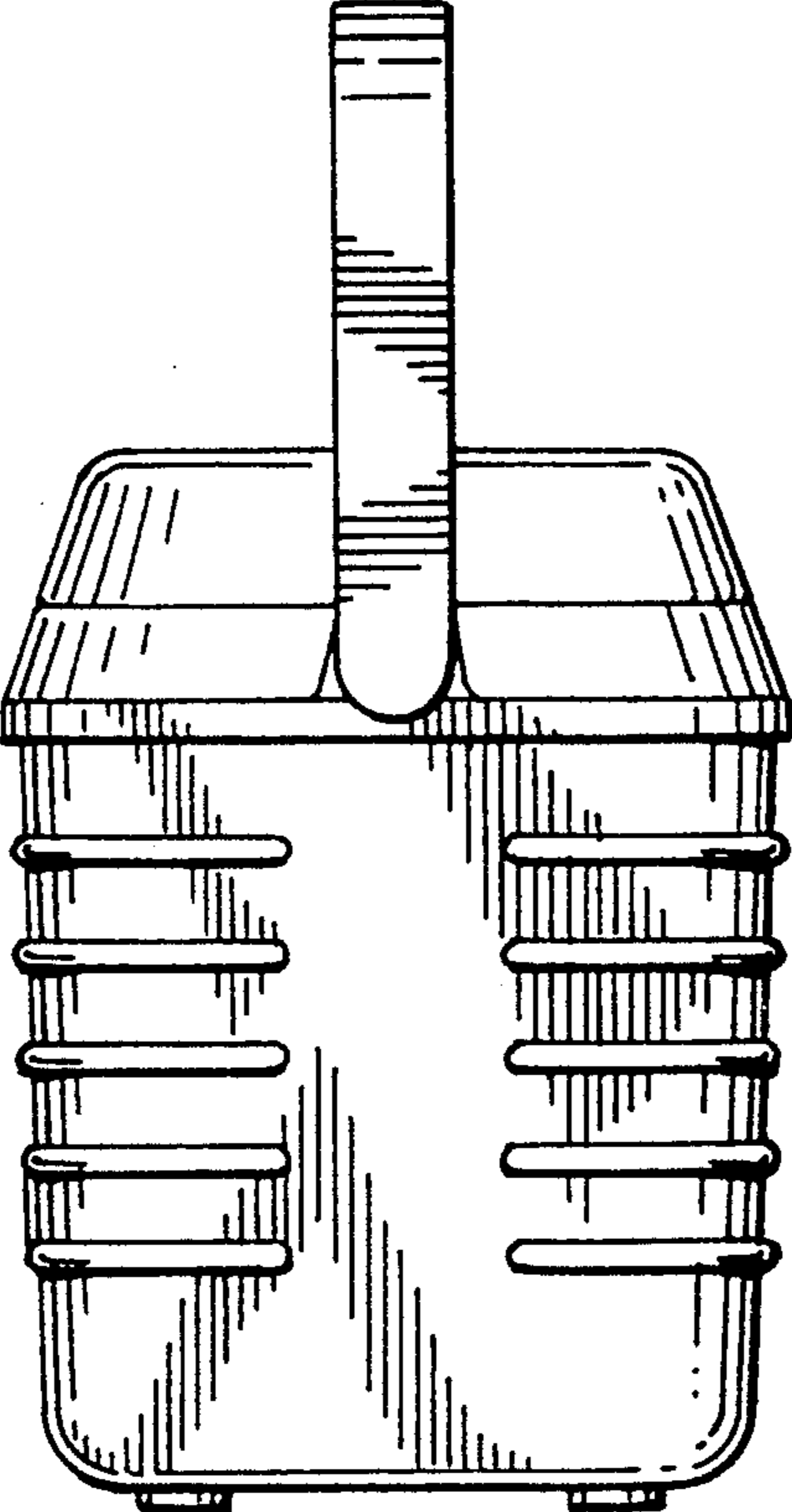
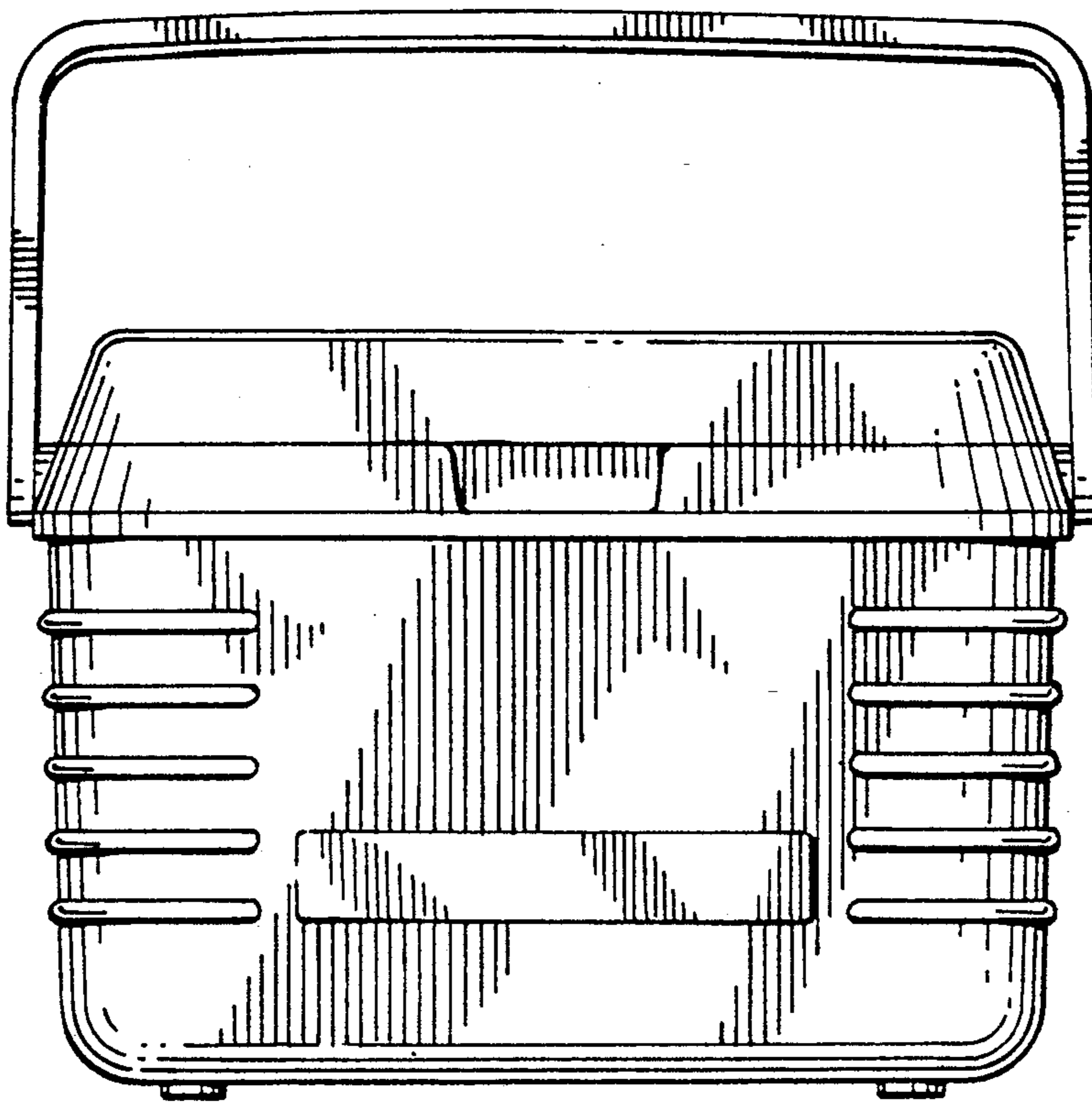
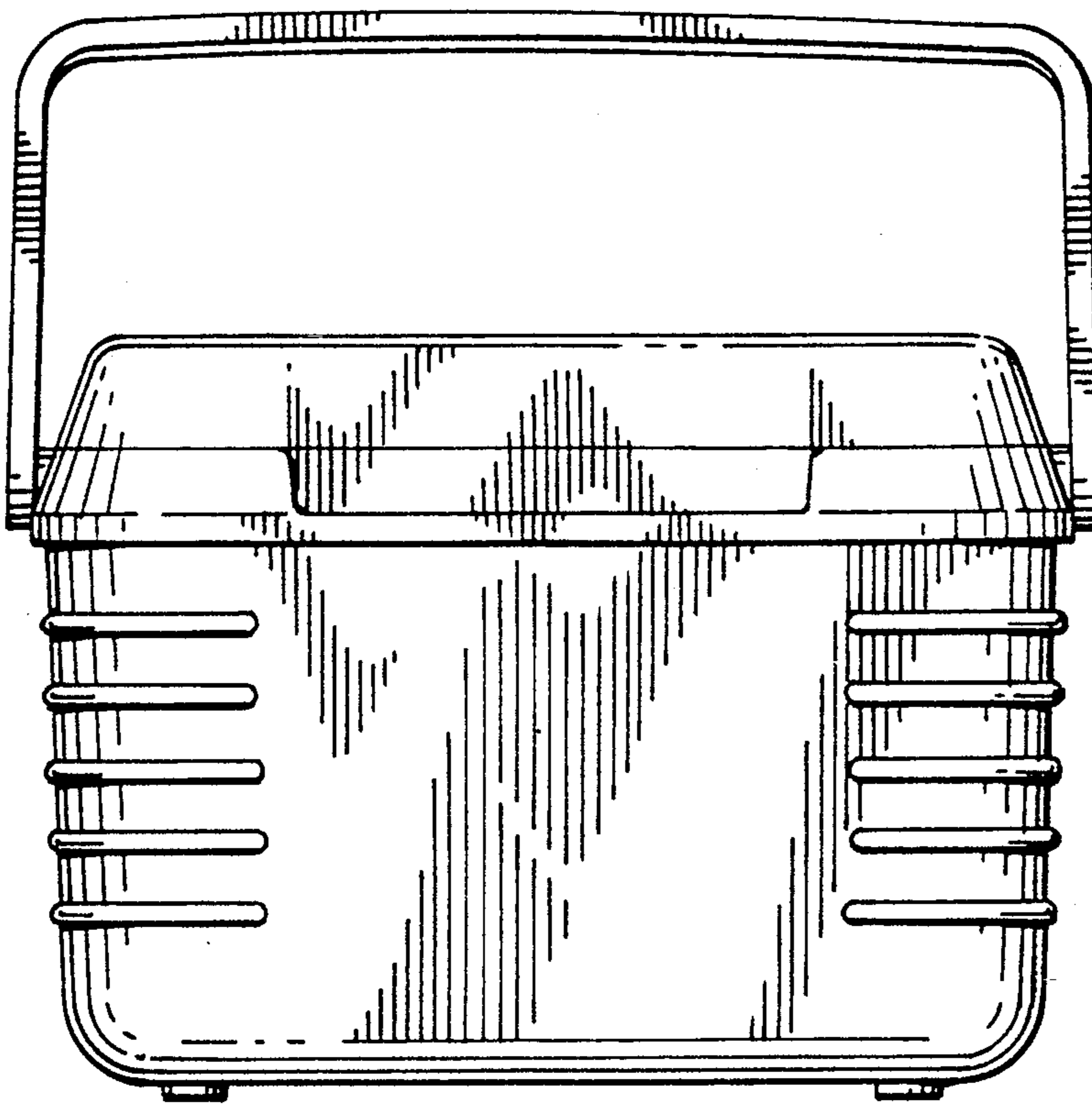


FIG. 4



*FIG. 5*



*FIG. 6*