



US00D325848S

United States Patent [19]

Embree

[11] Patent Number: **Des. 325,848**

[45] Date of Patent: **** May 5, 1992**

[54] **INSULATED MUG**

[75] Inventor: **Donald Embree, Uniontown, Ohio**

[73] Assignee: **Rubbermaid Incorporated, Wooster, Ohio**

[**] Term: **14 Years**

[21] Appl. No.: **385,296**

[22] Filed: **Jul. 25, 1989**

[52] U.S. Cl. **D7/510; D7/321; D7/533**

[58] Field of Search **D7/536, 533, 535, 317, D7/312, 316, 300, 318, 605, 608, 510, 511, 619, 622, 321, 322; 62/457.3, 457.4, 457.9; 220/90.4, 903, 85 H, 412; 215/13.1; 222/470, 484; D9/398, 429**

[56] **References Cited**

U.S. PATENT DOCUMENTS

- D. 192,435 3/1962 Goodman D9/398 X
- D. 214,458 6/1969 Riley D7/510 X
- D. 253,509 11/1979 Doyel D7/608

- 1,771,765 7/1930 Benson D7/531 X
- 3,082,900 3/1963 Goodman D7/531 X
- 3,302,427 2/1967 Stoner et al. 62/457.4

OTHER PUBLICATIONS

Price Schedule, *Igloo Corporation*, PO Box 19322, 1001 West Belt Drive, Houston, TX 77224-9322, publication date unknown.

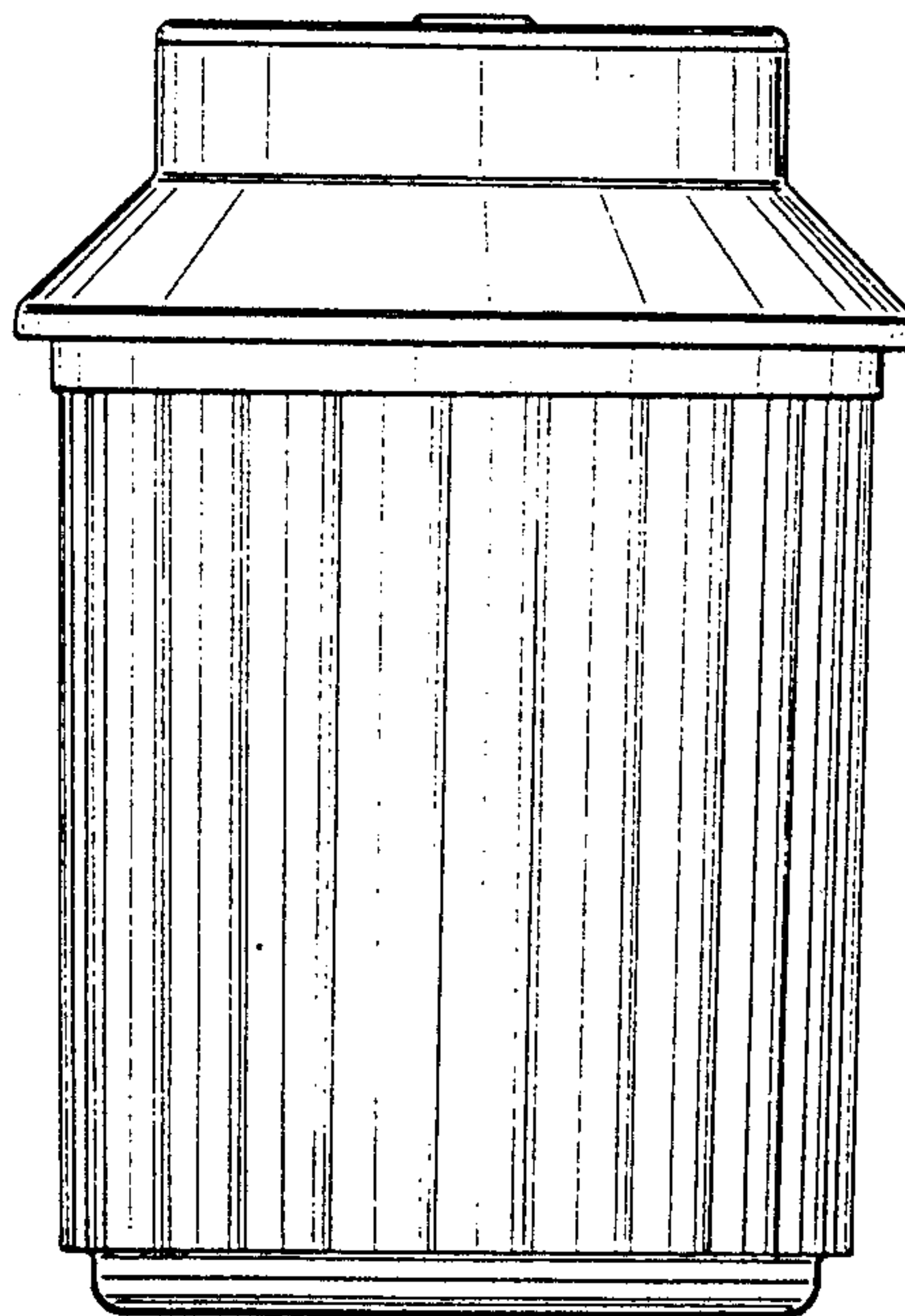
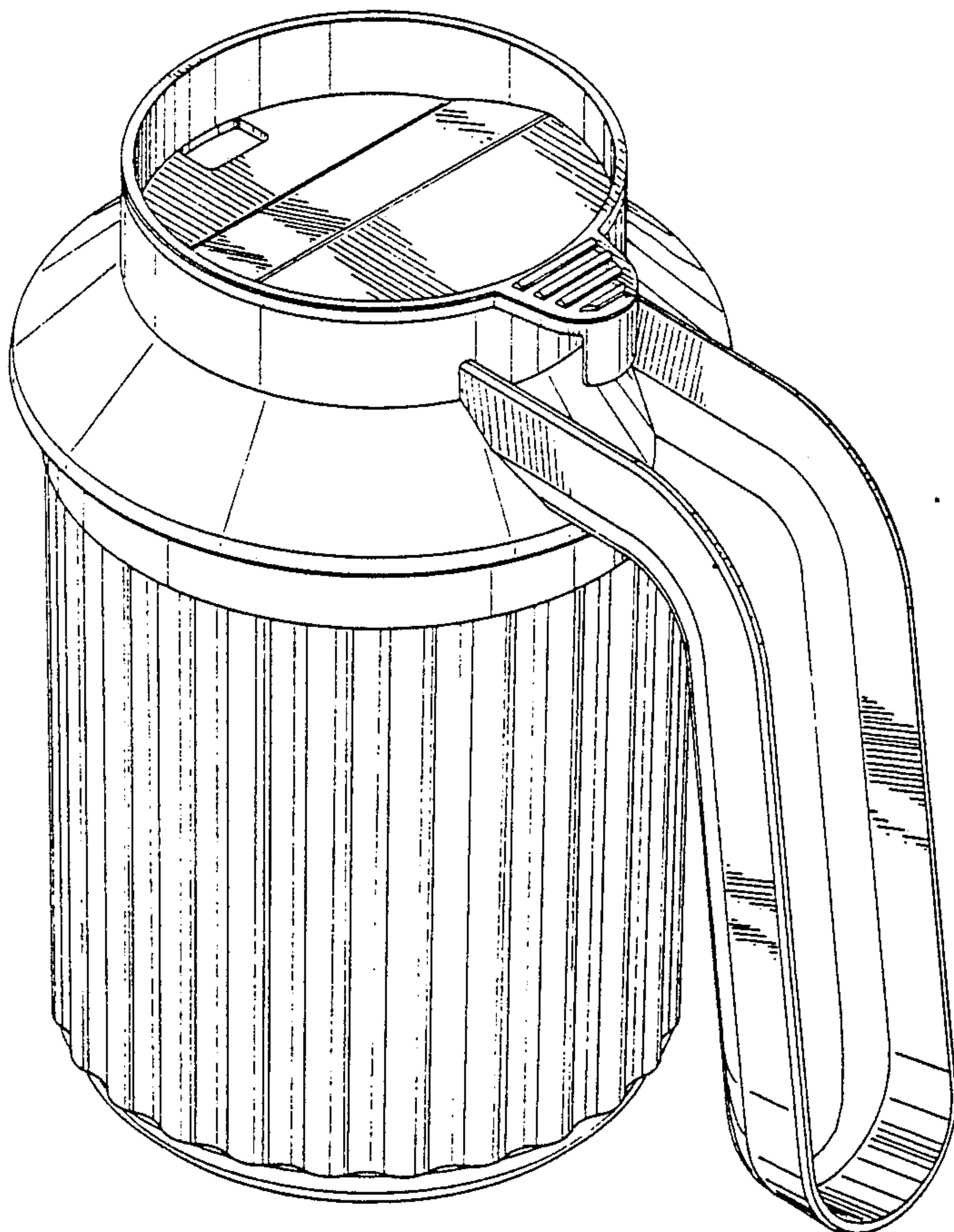
Primary Examiner—Winifred E. Herrmann
Attorney, Agent, or Firm—Richard B. O'Planick

[57] **CLAIM**

The ornamental design for an insulated mug, as shown and described.

DESCRIPTION

FIG. 1 is a front perspective view of an insulated mug embodying my new design;
 FIG. 2 is a bottom plan view thereof;
 FIG. 3 is a top plan view thereof;
 FIG. 4 is a front elevational view thereof; the rear elevational view being a mirror image;
 FIG. 5 is a right side elevational view thereof; and,
 FIG. 6 is a left side elevational view thereof.



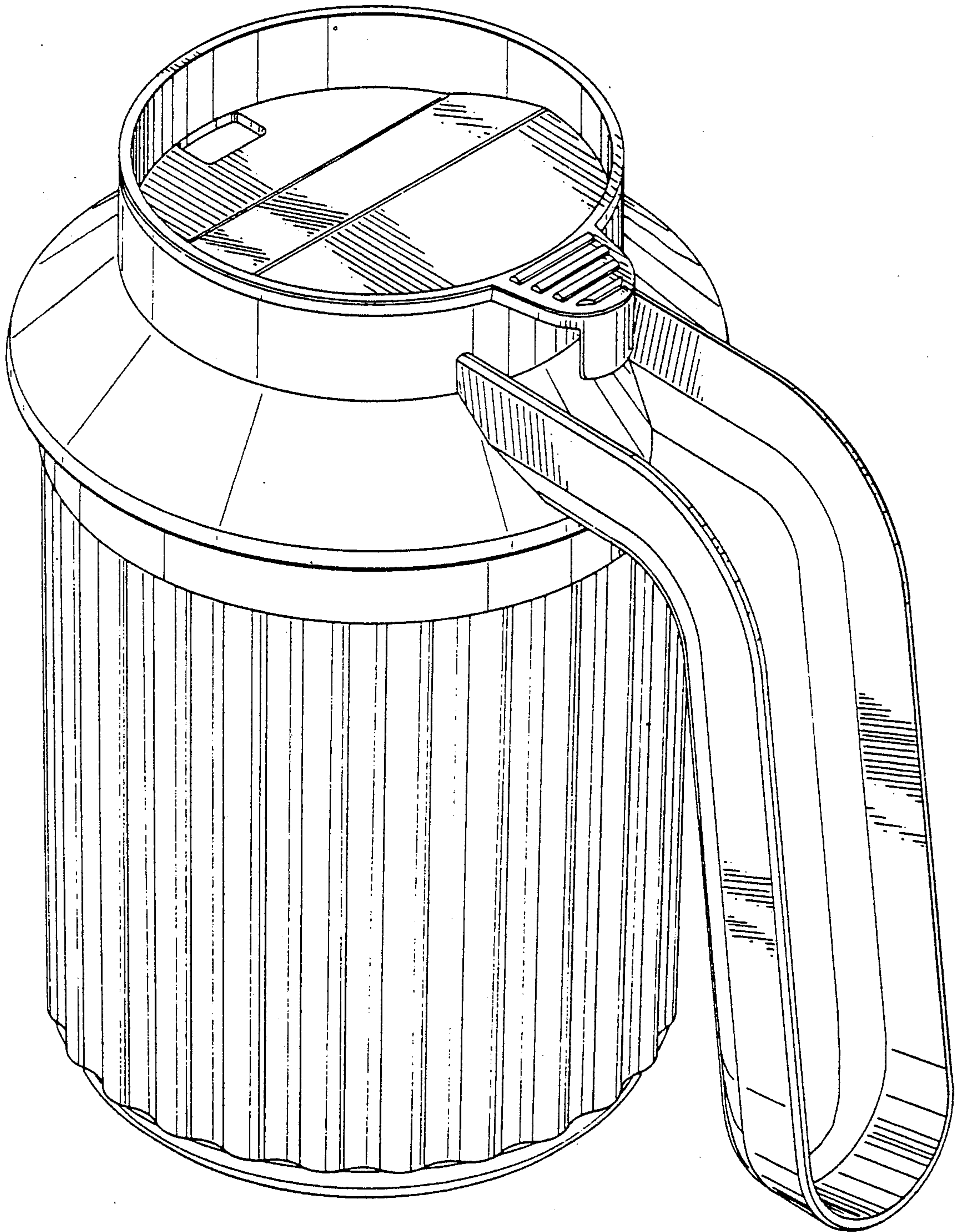


FIG. 1

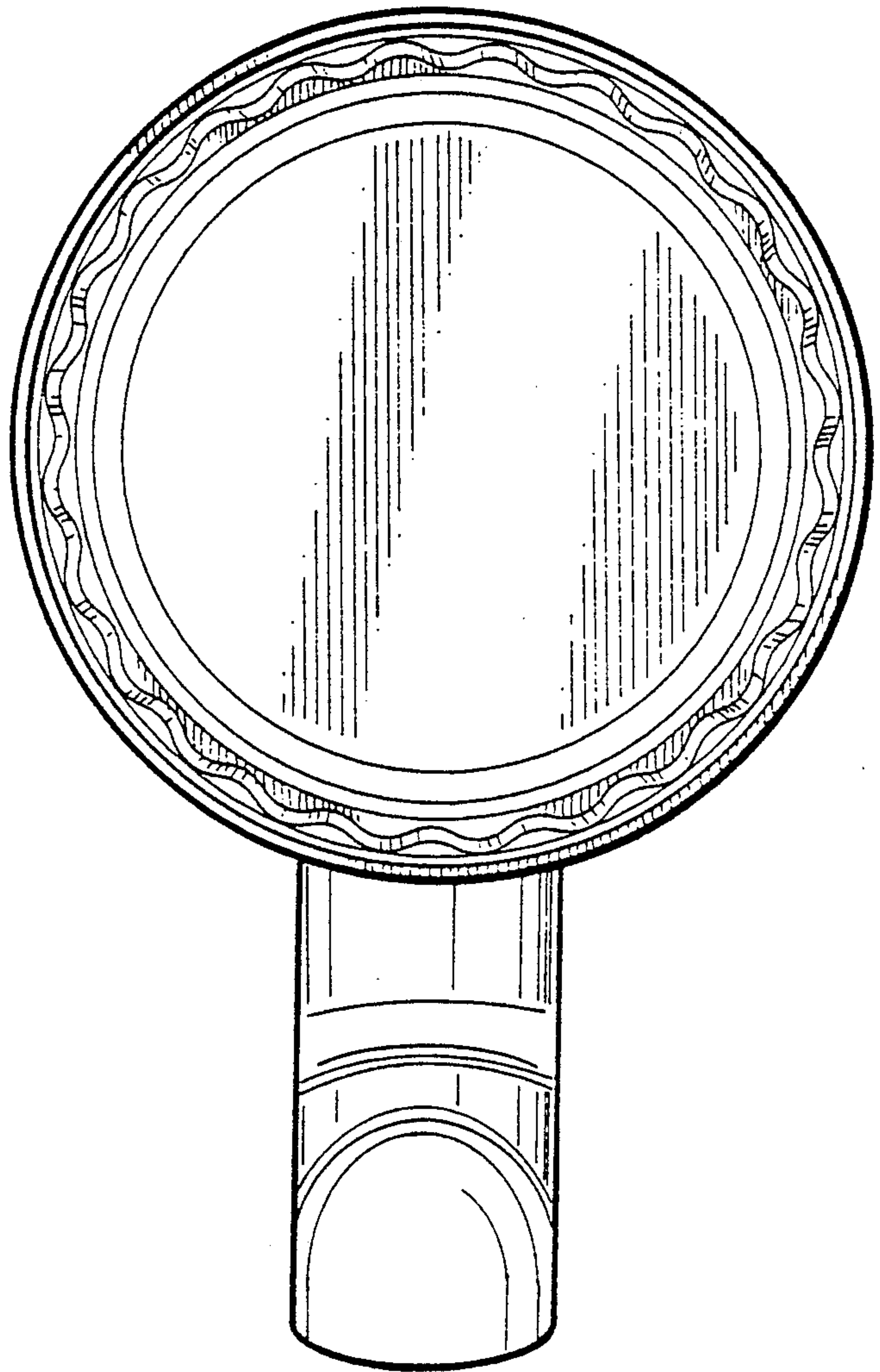


FIG. 2

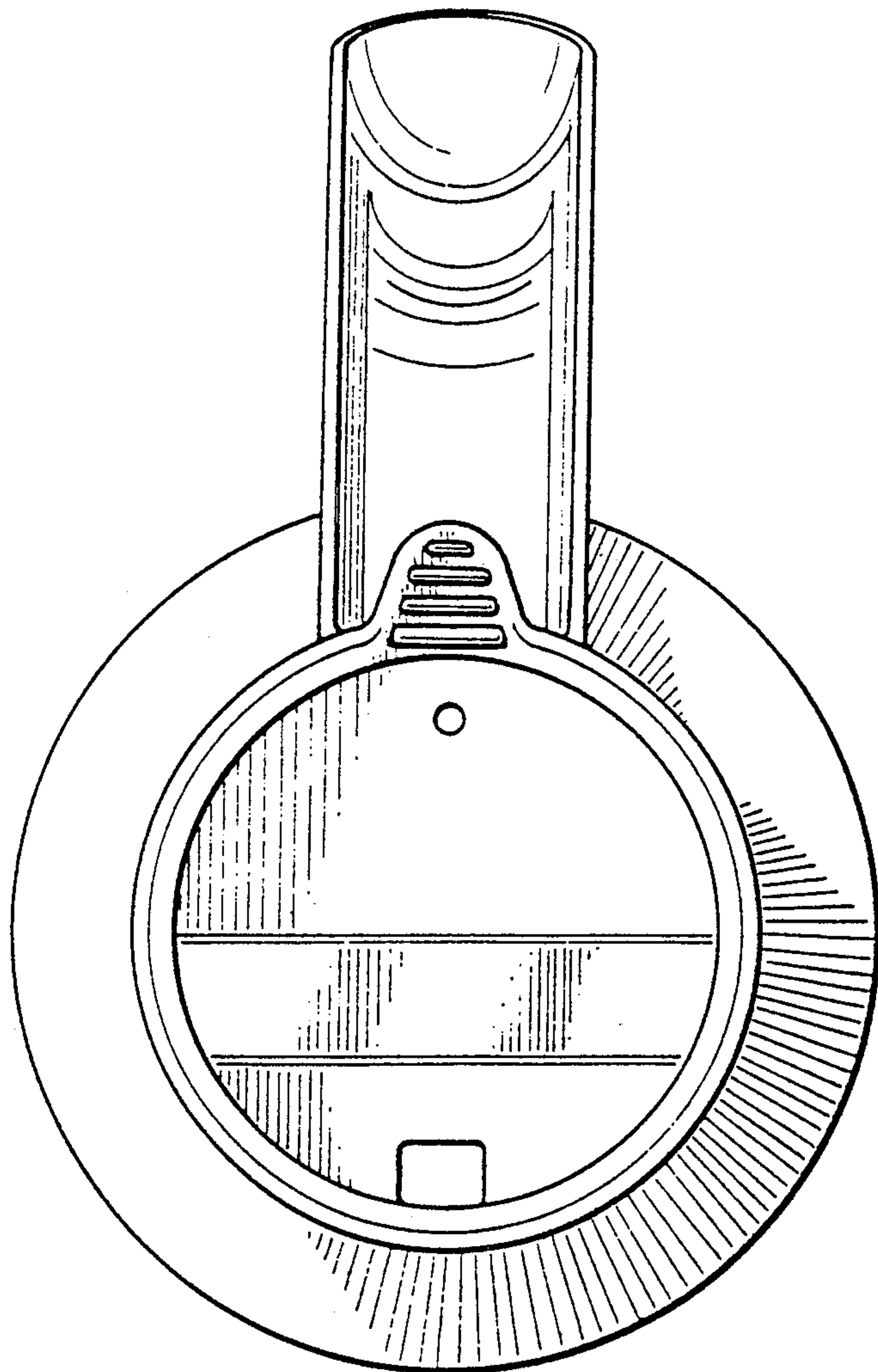


FIG. 3

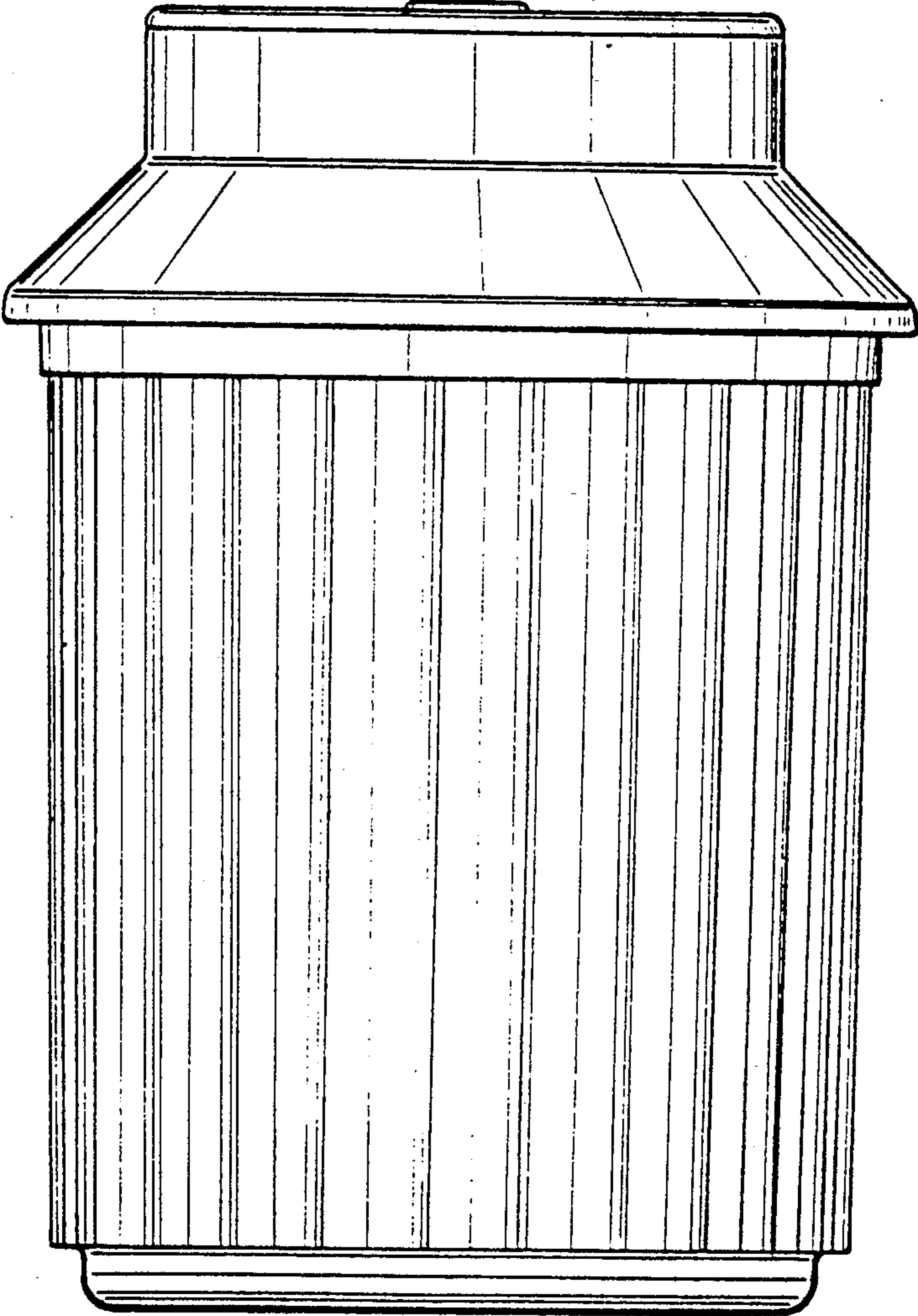


FIG. 4

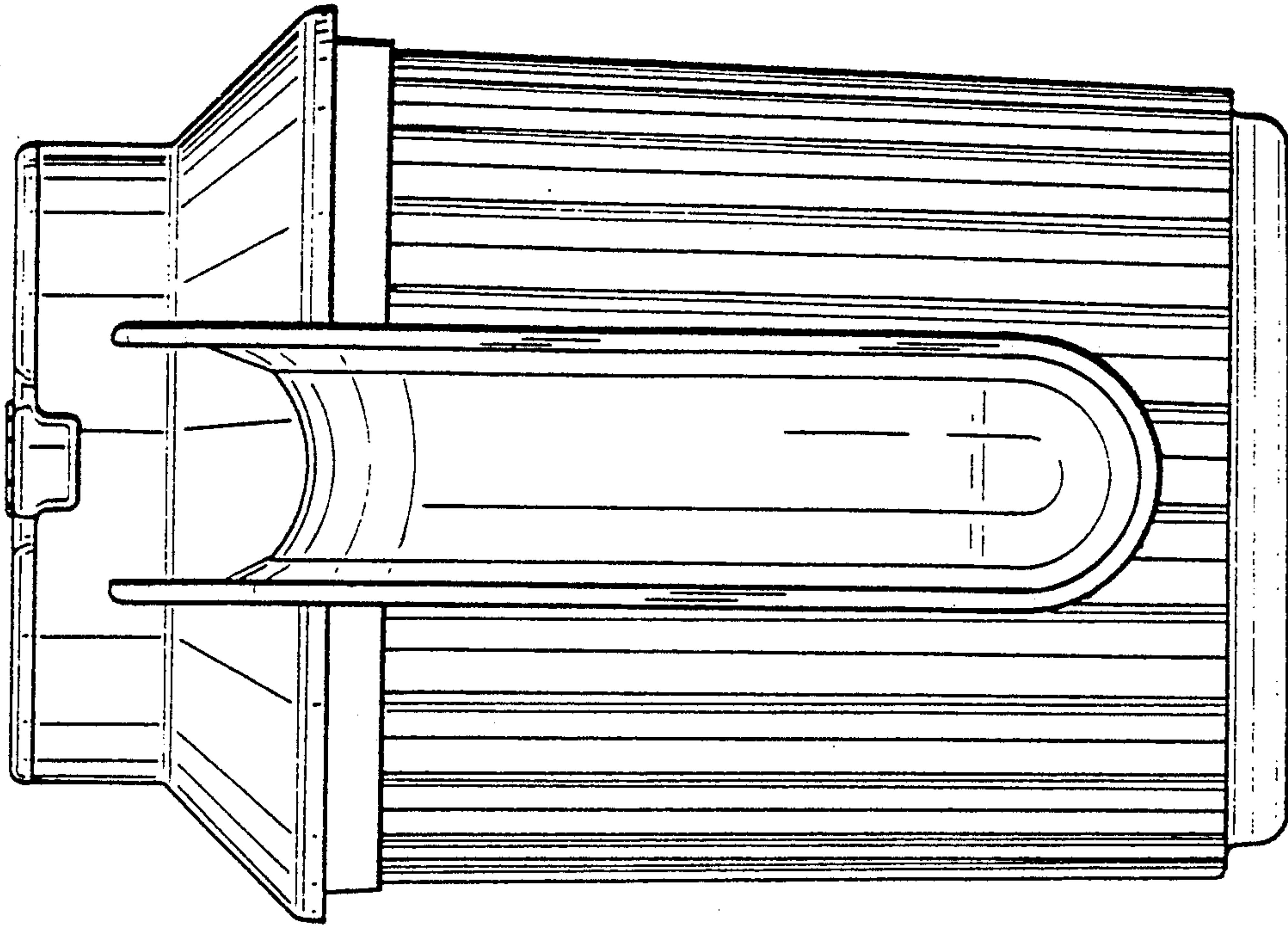


FIG. 6

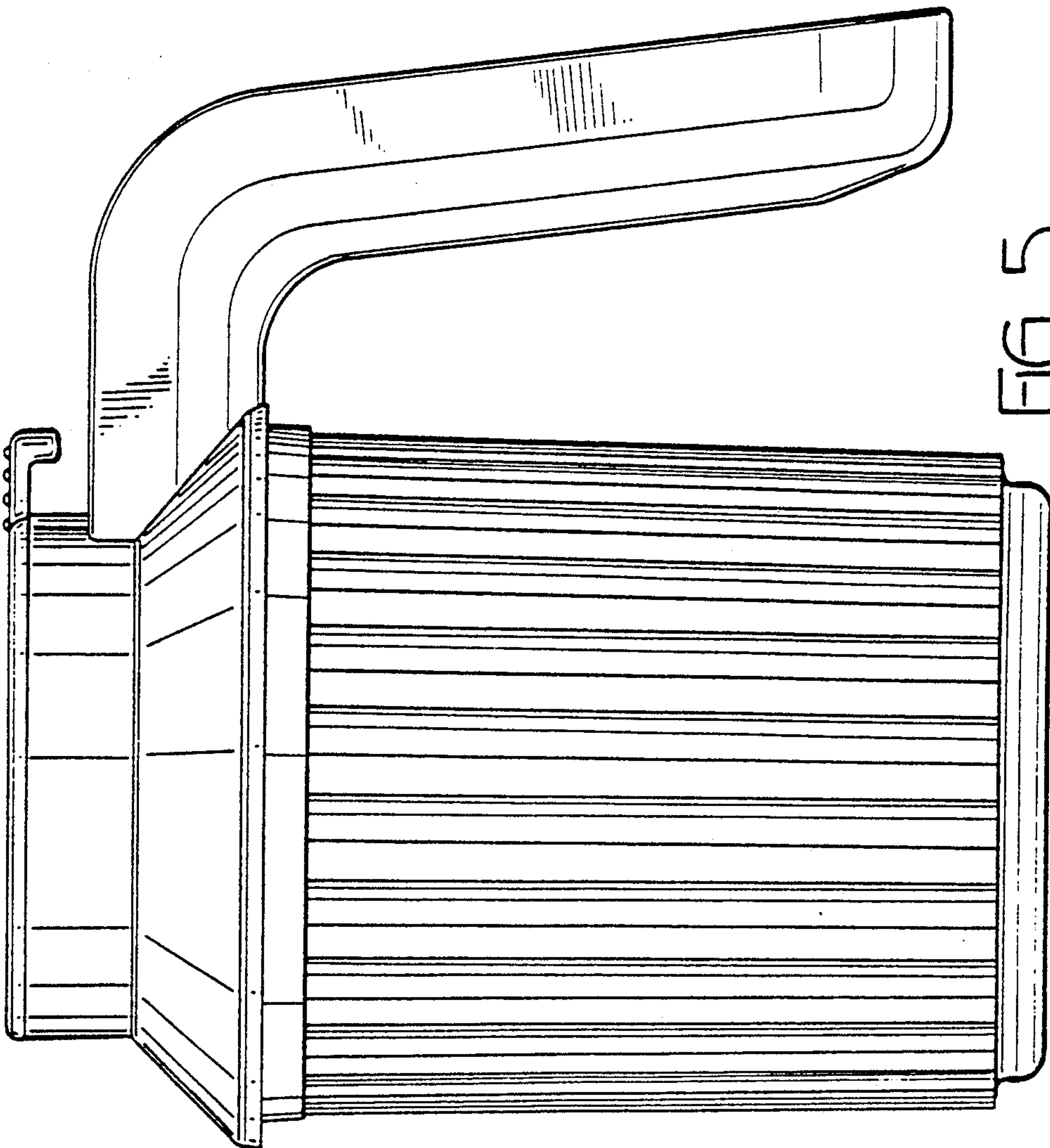


FIG. 5