



US00D325844S

United States Patent [19]

Betts

[11] Patent Number: Des. 325,844

[45] Date of Patent: ** May 5, 1992

[54] COFFEE BREWER

[75] Inventor: John Betts, New York, N.Y.

[73] Assignee: Farberware Inc., Bronx, N.Y.

[**] Term: 14 Years

[21] Appl. No.: 298,584

[22] Filed: Jan. 17, 1989

[52] U.S. Cl. D7/310; D7/317

[58] Field of Search D7/300, 305, 401, 397, D7/399, 356, 310, 309, 312, 316-319; 99/304, 306, 316; 220/94 A

| | | | | |
|-----------|---------|------------------|-------|---------------|
| 4,417,116 | 11/1983 | Black | | 219/10.55 R X |
| 4,527,467 | 7/1985 | Siemensma | | 99/279 |
| 4,577,080 | 3/1986 | Grossman | | 219/10.55 E |
| 4,642,443 | 2/1987 | Jorgensen et al. | | 219/10.55 E |
| 4,793,246 | 12/1988 | Barradas | | 99/304 X |

FOREIGN PATENT DOCUMENTS

| | | | |
|---------|---------|----------------------|---|
| 506346 | 10/1951 | Belgium | . |
| 926087 | 4/1955 | Fed. Rep. of Germany | . |
| 259627 | 11/1986 | Japan | . |
| 7807403 | 12/1973 | Netherlands | . |

OTHER PUBLICATIONS

Form, Jan. 1986, p. 44, top right, "Tee Automat von Krups"—tea time.

Primary Examiner—Winifred E. Herrmann
Attorney, Agent, or Firm—Seidel, Gonda, Lavorgna & Monaco

[56] References Cited

U.S. PATENT DOCUMENTS

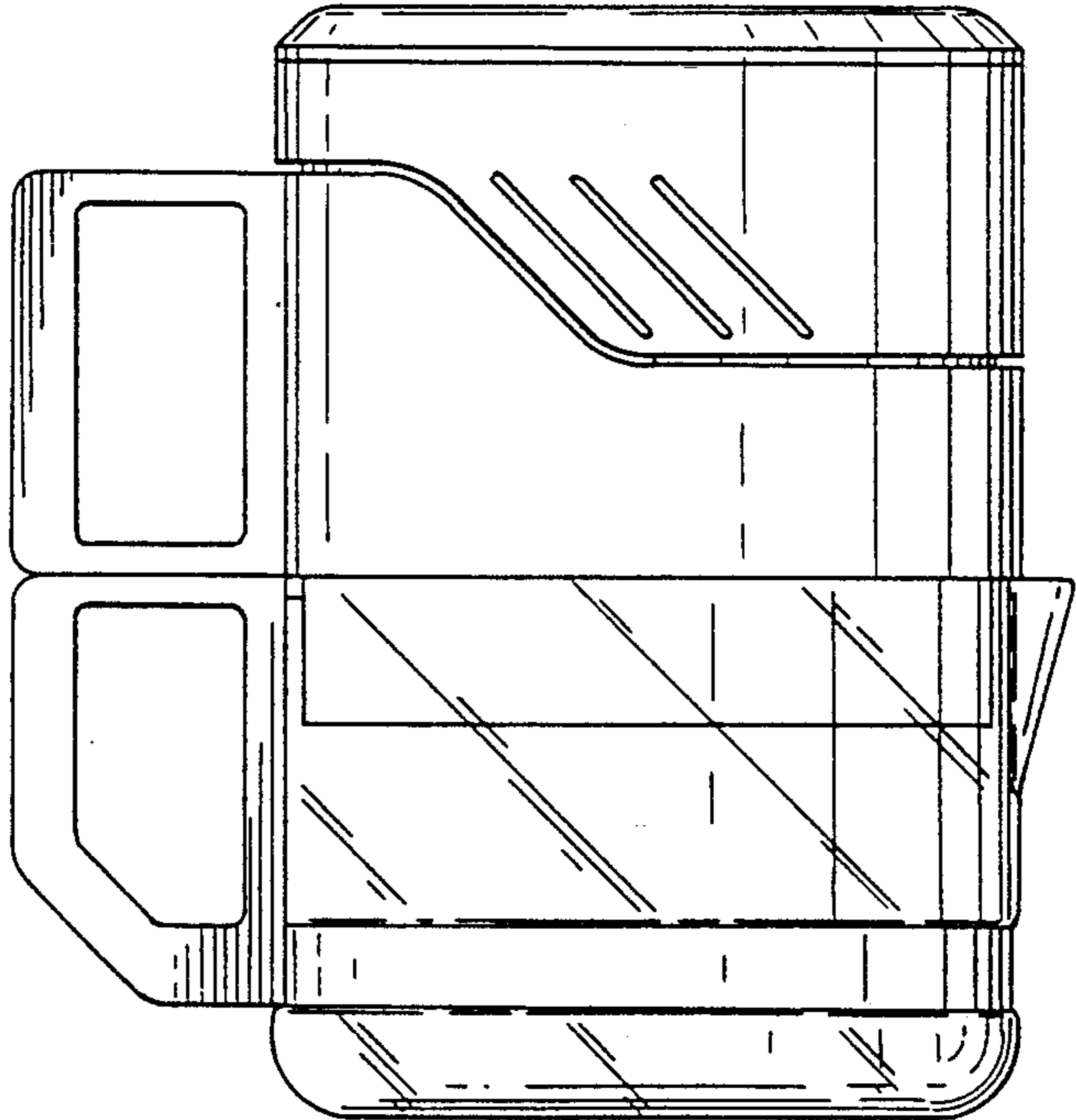
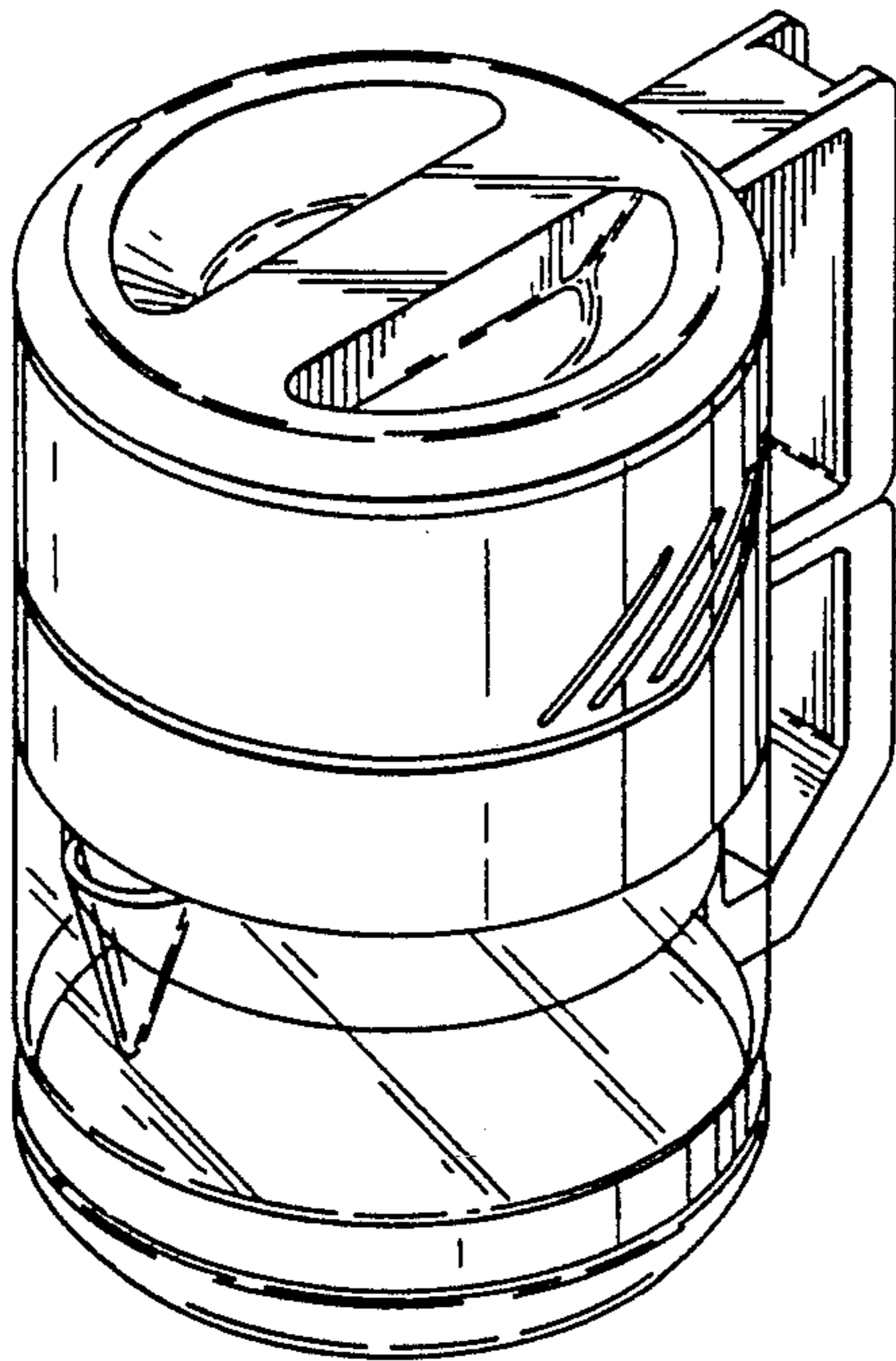
| | | | | |
|------------|---------|-----------------|-------|---------------|
| D. 86,671 | 4/1932 | Guild | | D7/310 |
| D. 290,216 | 6/1987 | Precht | | D7/309 |
| 1,962,493 | 6/1934 | Ferris | | 99/316 X |
| 2,176,082 | 10/1939 | Kise | | 99/306 X |
| 2,365,269 | 12/1944 | Hill | | 99/305 |
| 2,403,404 | 7/1946 | Scott | | 99/302 |
| 3,736,155 | 5/1973 | Martin | | 99/282 |
| 3,793,934 | 2/1974 | Martin | | 99/282 |
| 3,859,902 | 1/1975 | Neumann et al. | | 99/304 |
| 4,104,957 | 8/1978 | Freedman et al. | | 99/283 |
| 4,132,239 | 1/1979 | Bowen et al. | | 219/10.55 D X |
| 4,147,097 | 4/1979 | Gregg | | 99/283 |
| 4,200,039 | 4/1980 | Anderl | | 99/302 R |
| 4,381,696 | 5/1983 | Koral | | 99/304 |
| 4,386,109 | 5/1983 | Bowen et al. | | 99/302 R X |

[57] CLAIM

The ornamental design for the coffee brewer, as shown.

DESCRIPTION

FIG. 1 is a top, front and right side perspective view of a coffee brewer showing my new design;
FIG. 2 is a left side elevation thereof;
FIG. 3 is a front elevation thereof;
FIG. 4 is a rear elevation thereof;
FIG. 5 is a top plan view thereof; and,
FIG. 6 is a bottom plan view thereof.



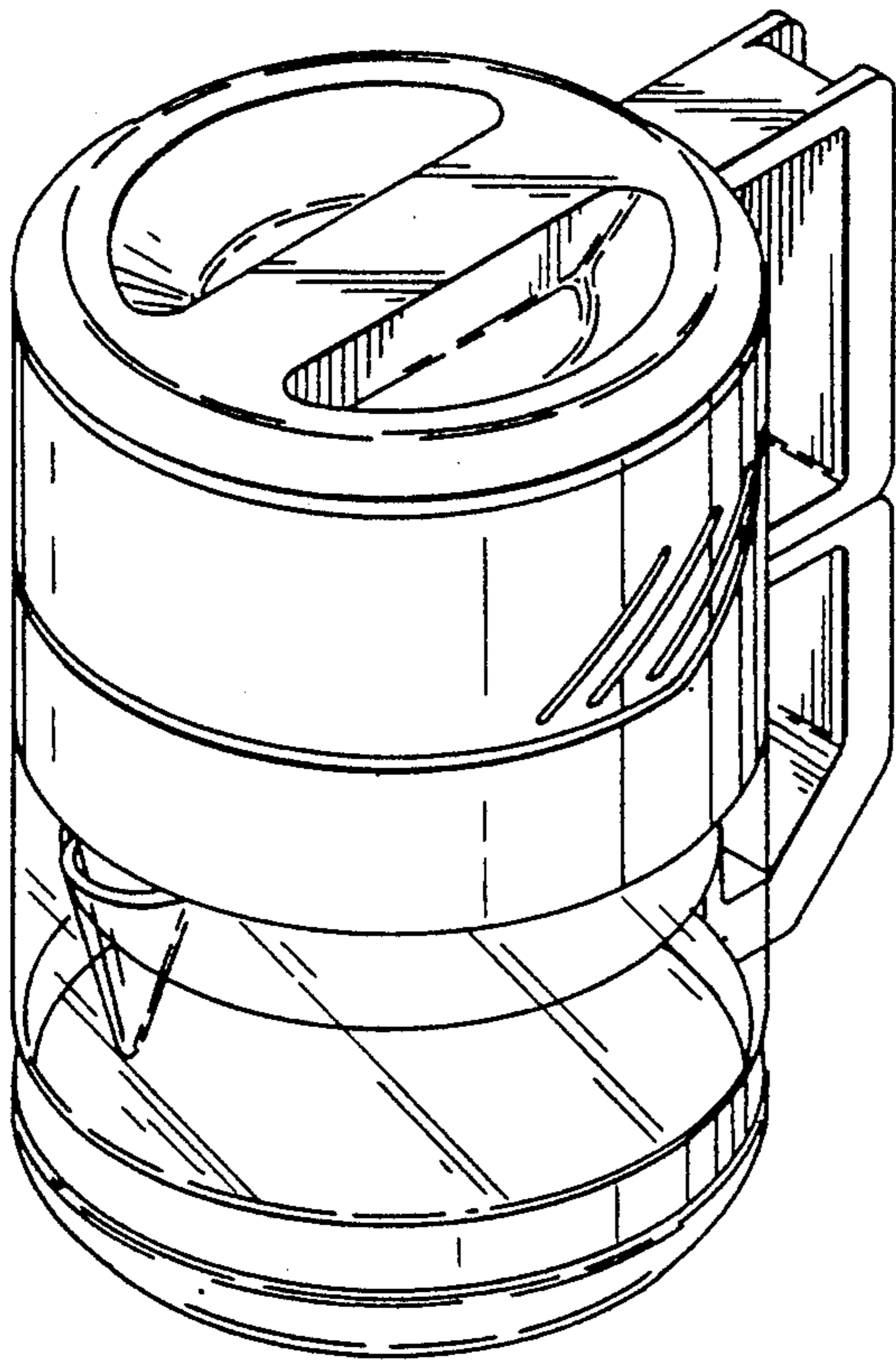
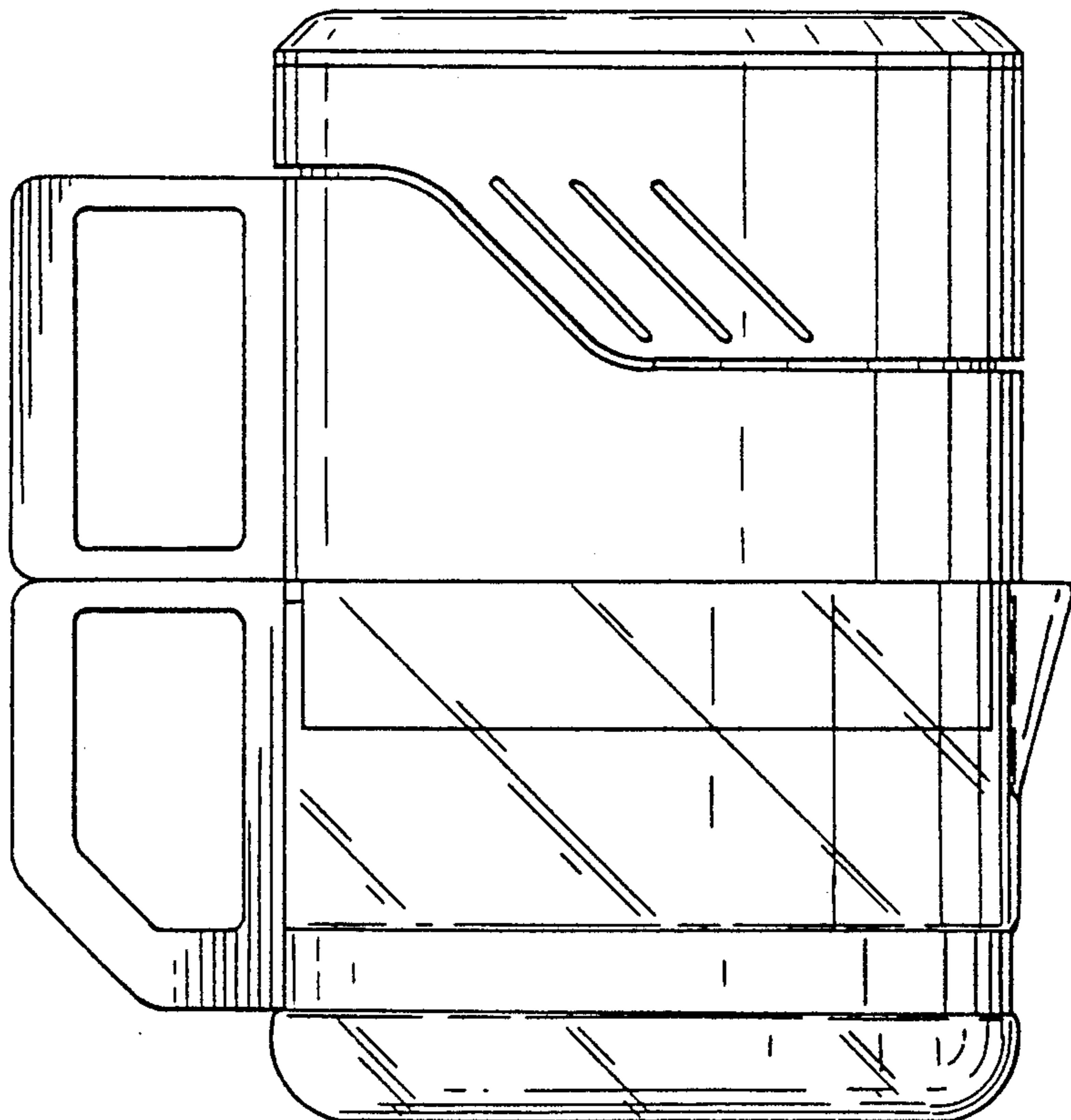


FIG. 1

FIG. 2



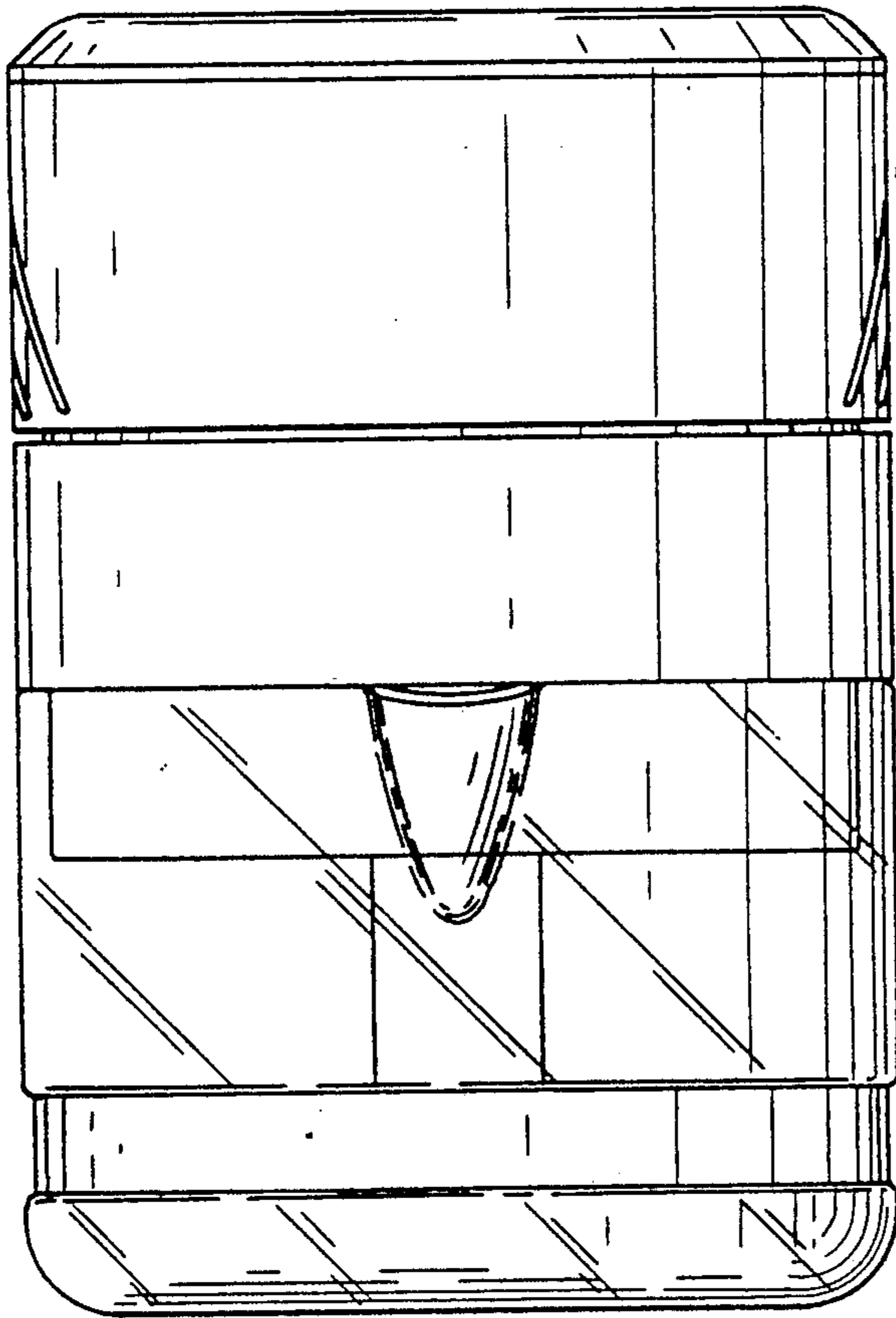
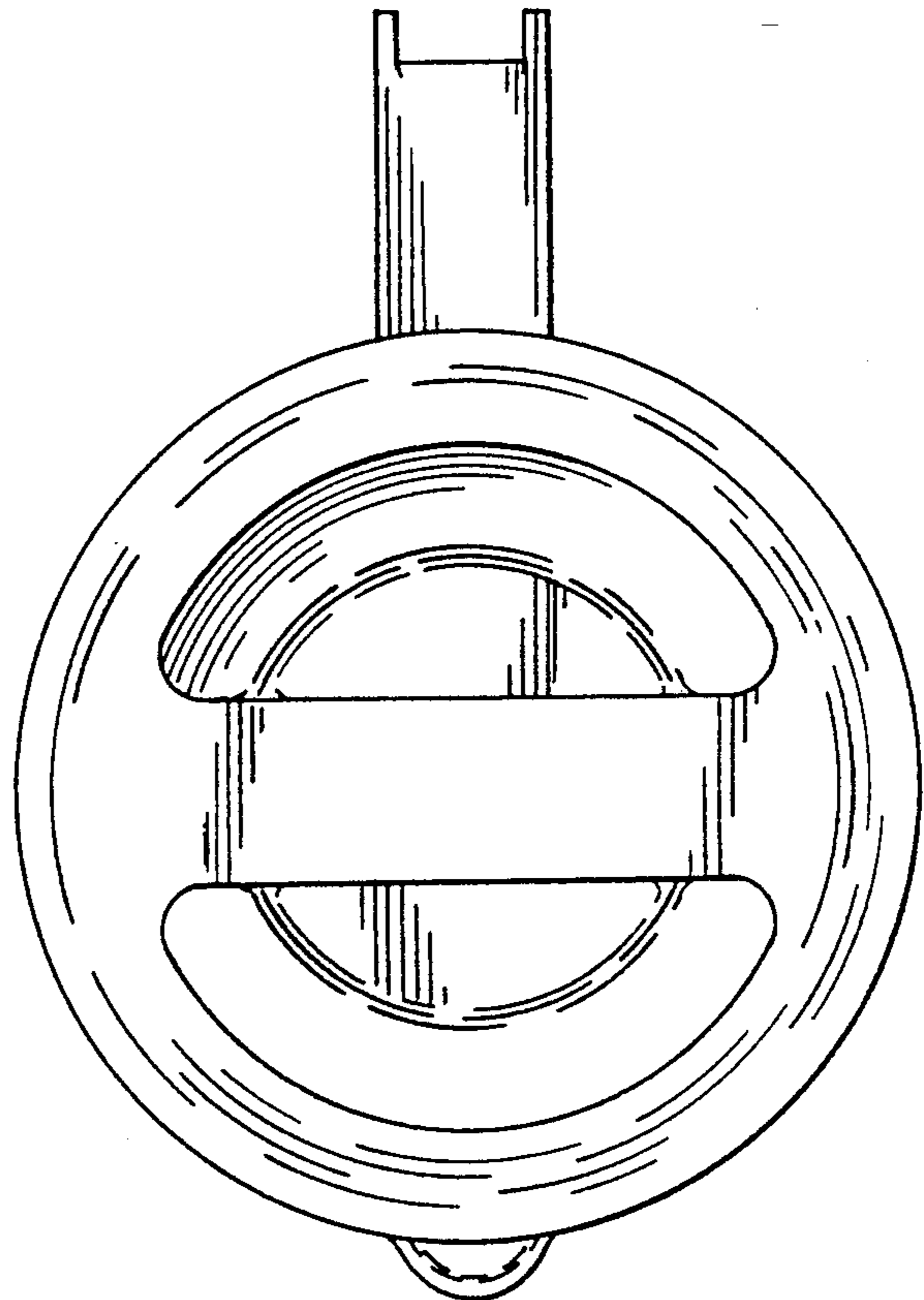


FIG. 3

FIG. 5



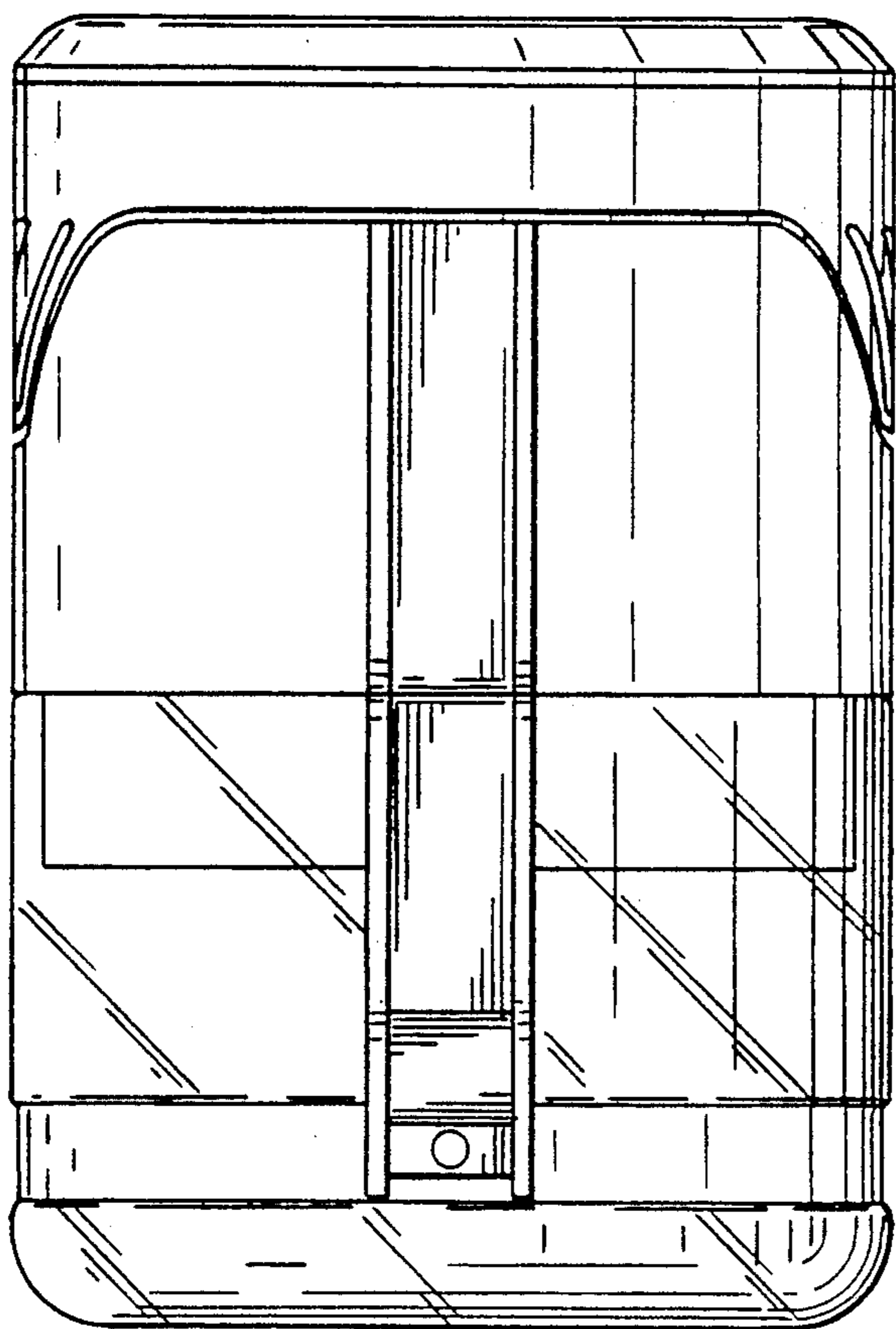


FIG. 4

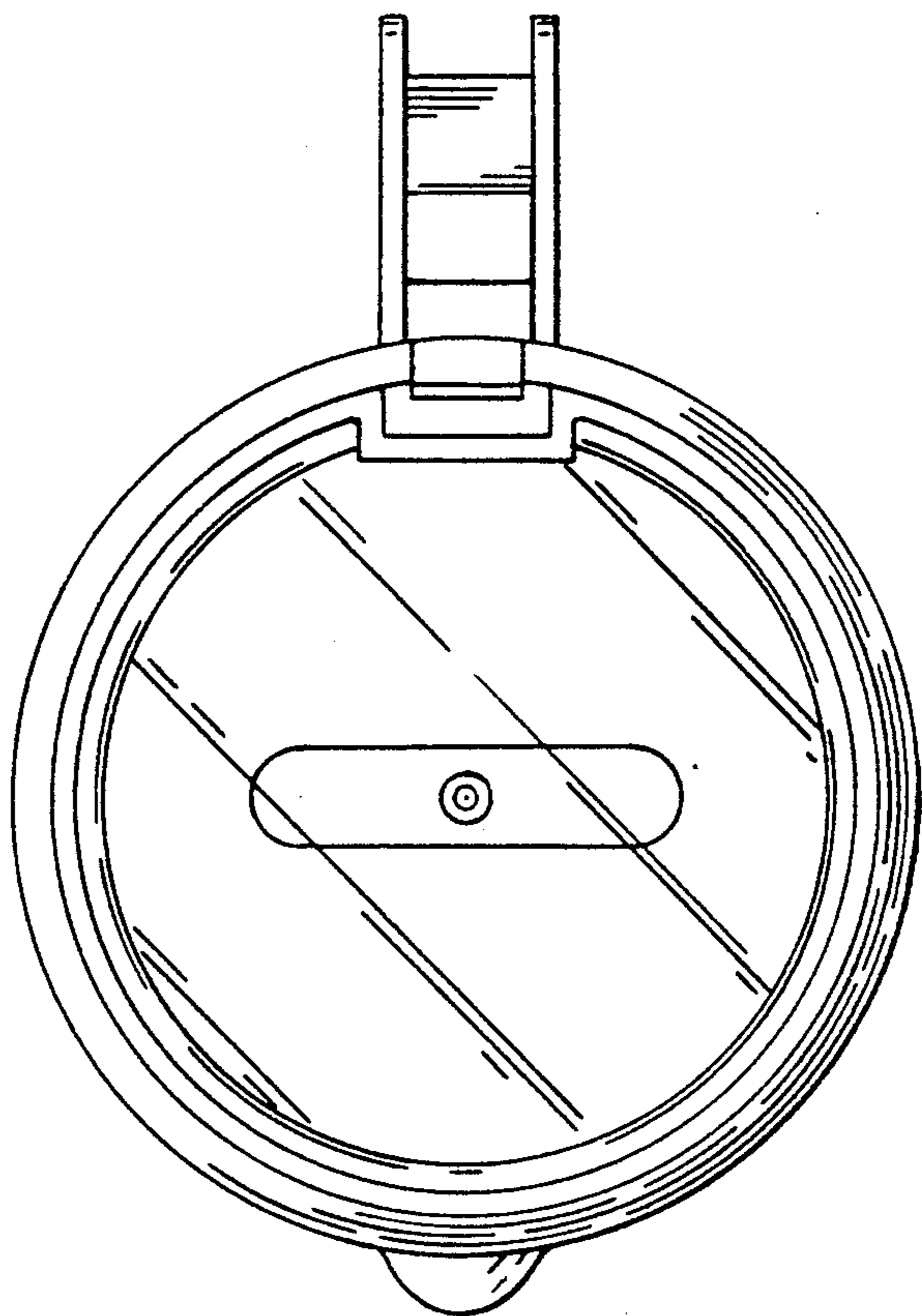


FIG. 6