



US00D325838S

United States Patent [19]

[11] Patent Number: **Des. 325,838**

Lamprey

[45] Date of Patent: **** May 5, 1992**

[54] **TEMPORARY STAND FOR ATTACHMENT TO VERTICAL MEMBERS**

[76] Inventor: **John P. Lamprey, 5629 W. County Rd. 52E, Bellvue, Colo. 80512**

[**] Term: **14 Years**

[21] Appl. No.: **407,769**

[22] Filed: **Sep. 14, 1989**

[52] U.S. Cl. **D6/574**

[58] Field of Search **D6/553, 567, 574; 211/13, 71, 86-88, 90, 126, 134; 248/218.4, 296; D8/380-381**

[56] **References Cited**

U.S. PATENT DOCUMENTS

D. 223,434	4/1972	Dailey	D8/381
D. 234,992	4/1975	Burk	D6/574 X
D. 270,506	9/1983	Thorne	D6/574
494,758	4/1893	Kroder	248/296
1,108,692	8/1914	Burd	D6/574 X
2,911,108	11/1959	Nield	D6/574 X

OTHER PUBLICATIONS

Cabela's Outdoor Magazine (Fall 1984), p. 100—tree attached seats.
Coleman Lantern Packaging—no date—lantern hanger.

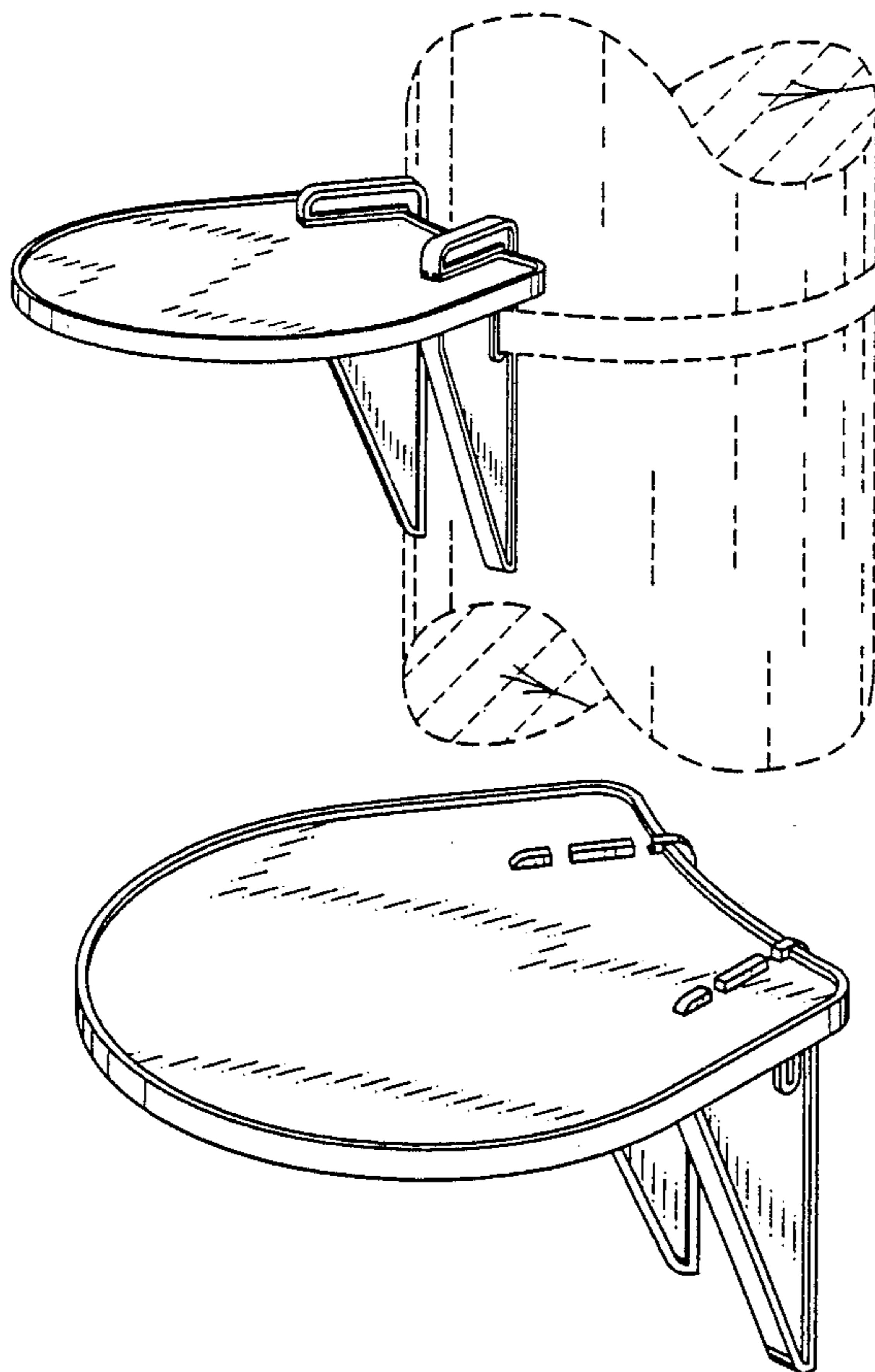
Primary Examiner—Brian N. Vinson
Attorney, Agent, or Firm—Luke Santangelo

[57] **CLAIM**

The ornamental design for a temporary stand for attachment to vertical members, as shown and described.

DESCRIPTION

FIG. 1 is a top, front, and right side perspective view of a temporary stand for attachment to vertical members showing my new design;
 FIG. 2 is a top plan view thereof;
 FIG. 3 is a bottom plan view thereof;
 FIG. 4 is a right side elevational view thereof, the left side being a mirror image of that shown;
 FIG. 5 is a front elevational view thereof;
 FIG. 6 is a rear elevational view thereof;
 FIG. 7 is a reduced top, front, and right side perspective view thereof, the broken-line disclosure of a strap and fragment of a vertical member being for illustrative purposes only and forming no part of the claimed design;
 FIG. 8 is a top, front, and right side perspective view of an alternative embodiment thereof;
 FIG. 9 is a top plan view of the embodiment of FIG. 8, the bottom being identical to that shown in FIG. 3; and,
 FIG. 10 is a right side elevational view of the embodiment of FIG. 8, the left side being a mirror image of that shown.



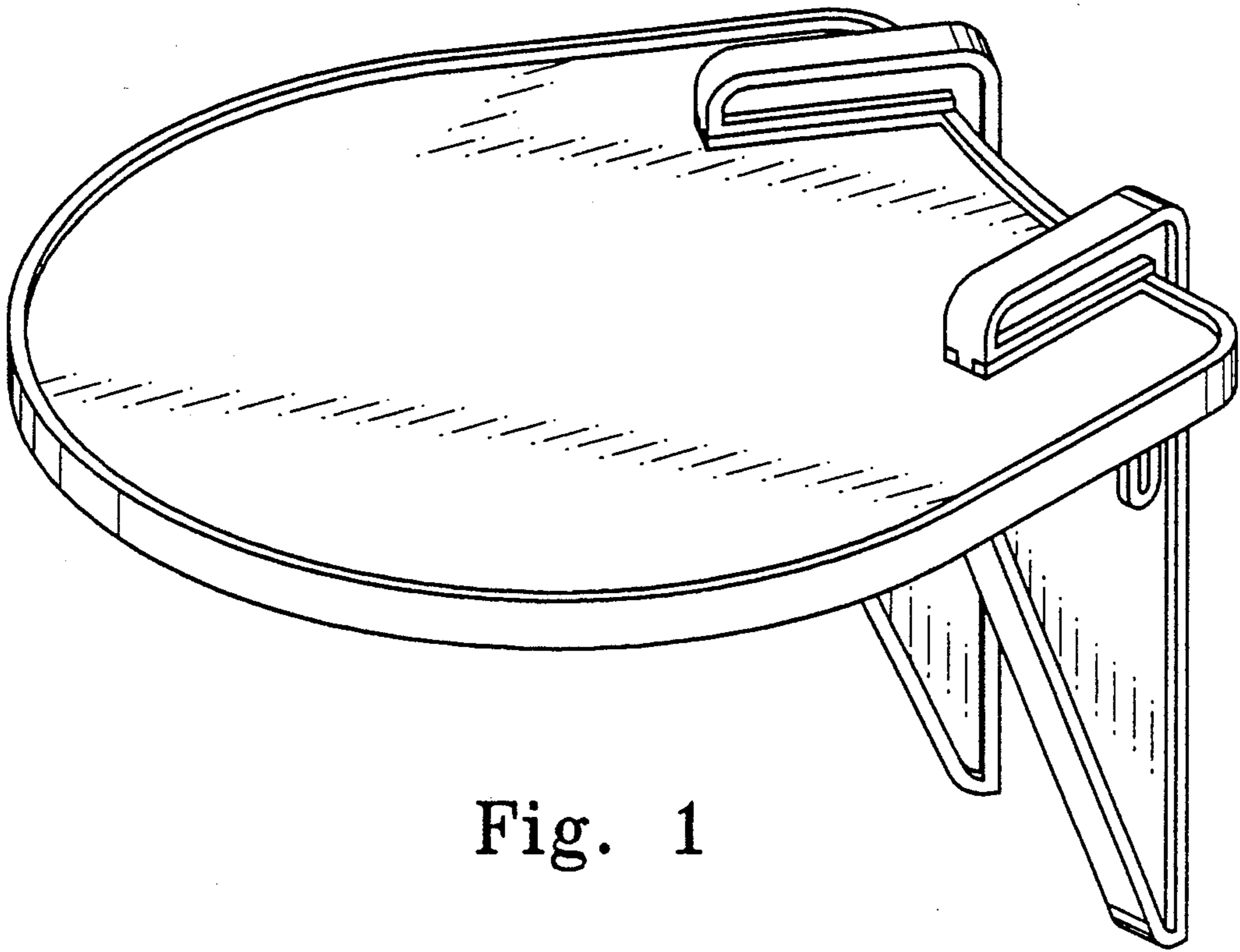


Fig. 1

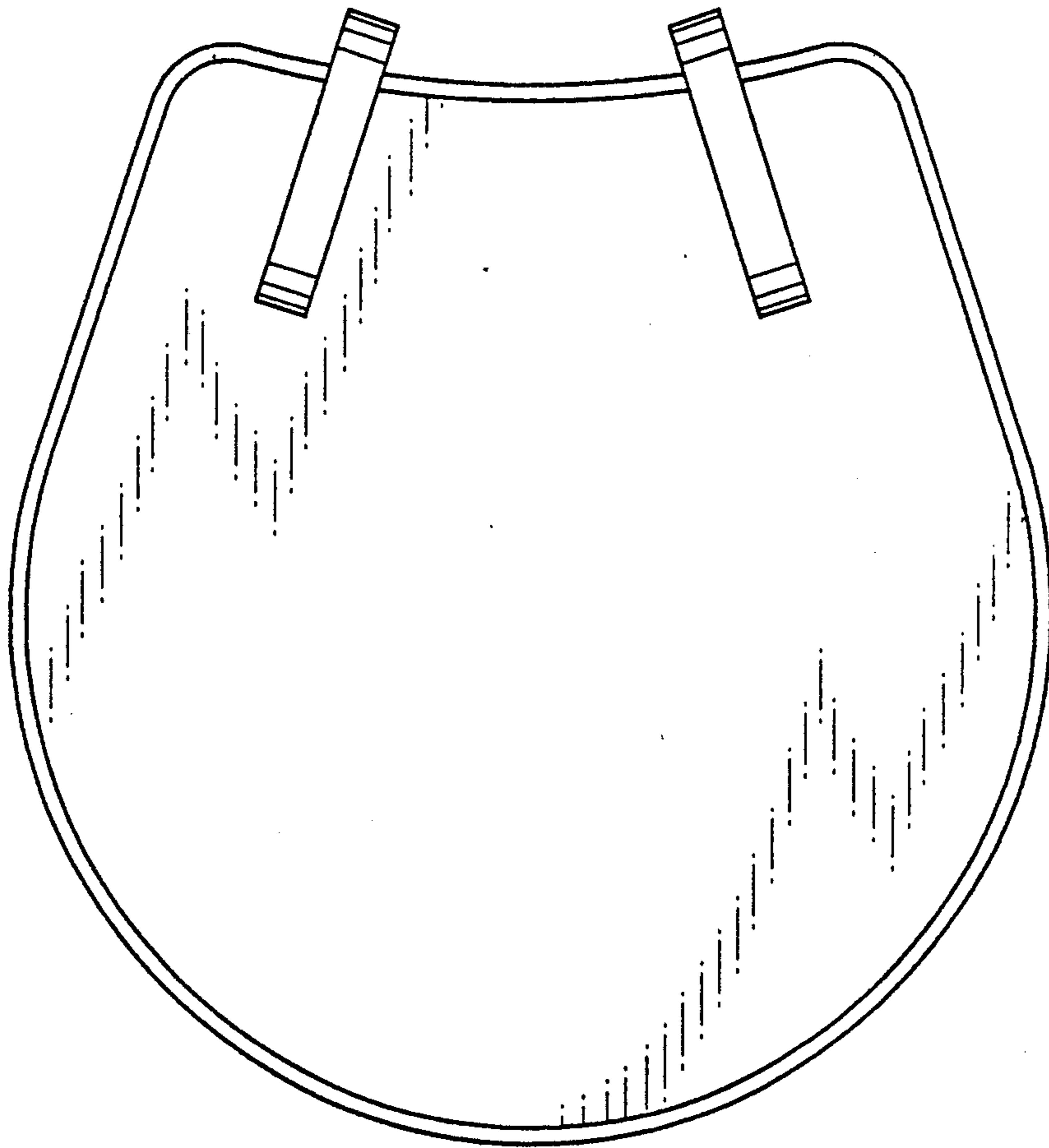


Fig. 2

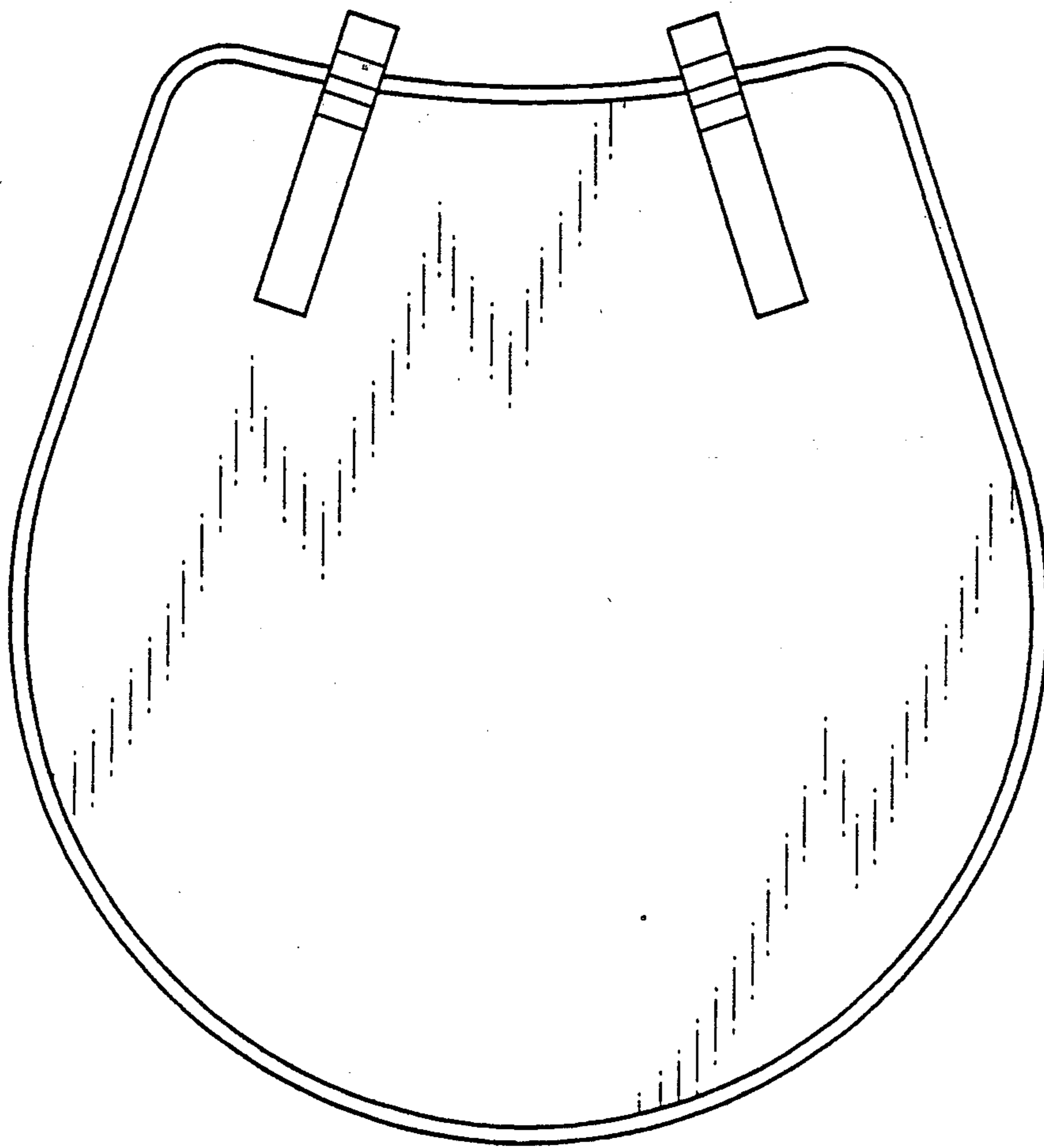


Fig. 3

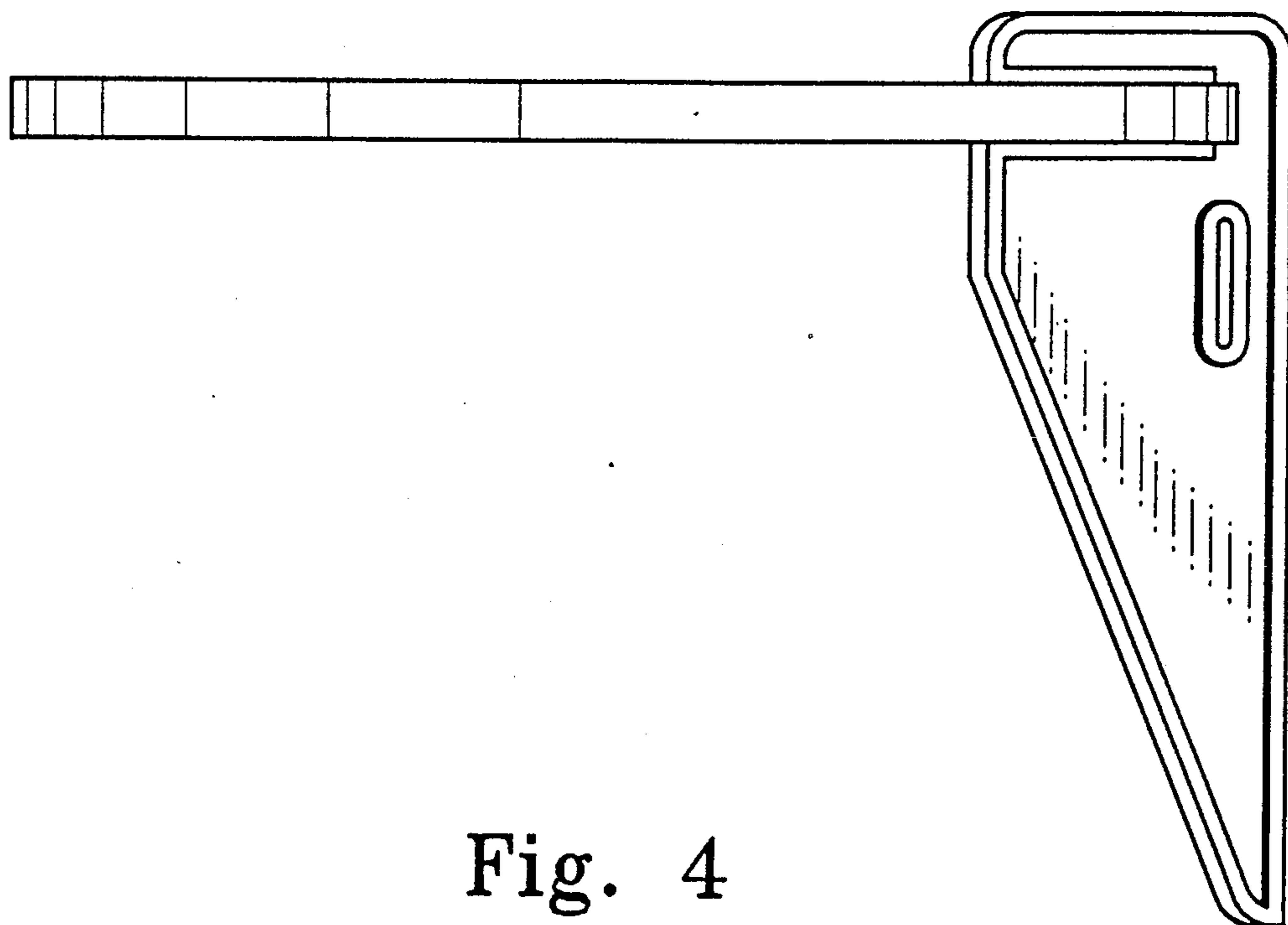


Fig. 4

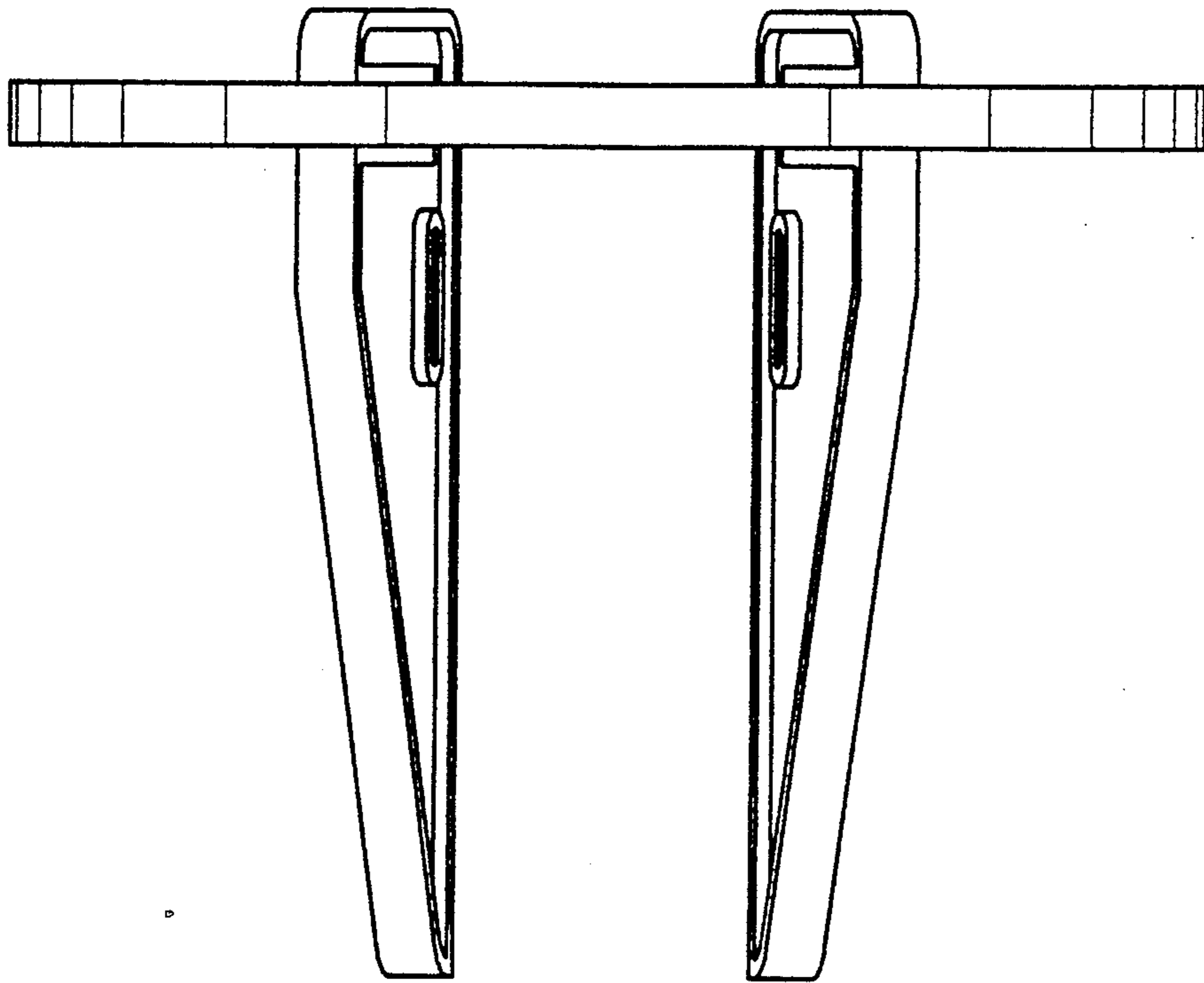


Fig. 5

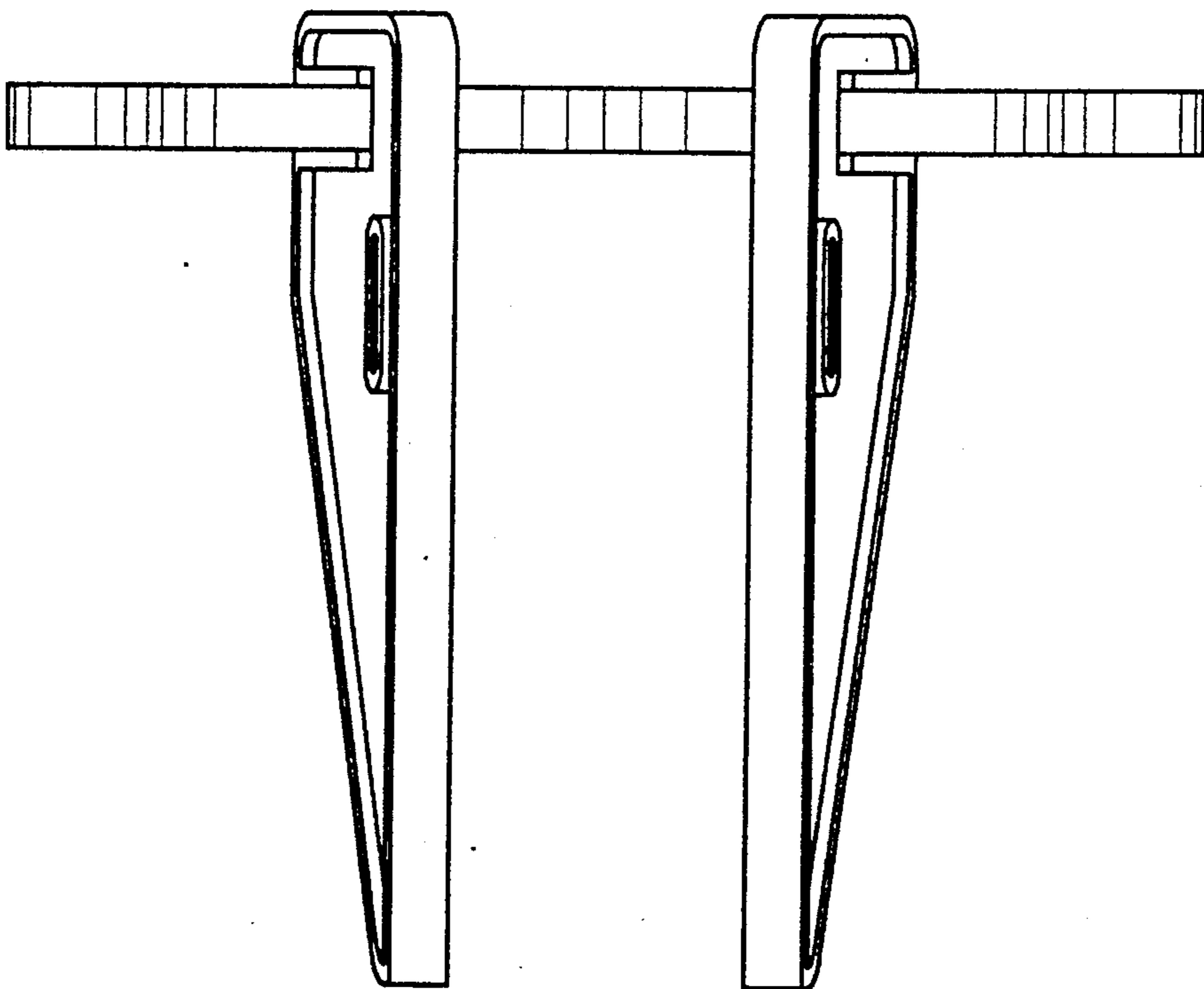


Fig. 6

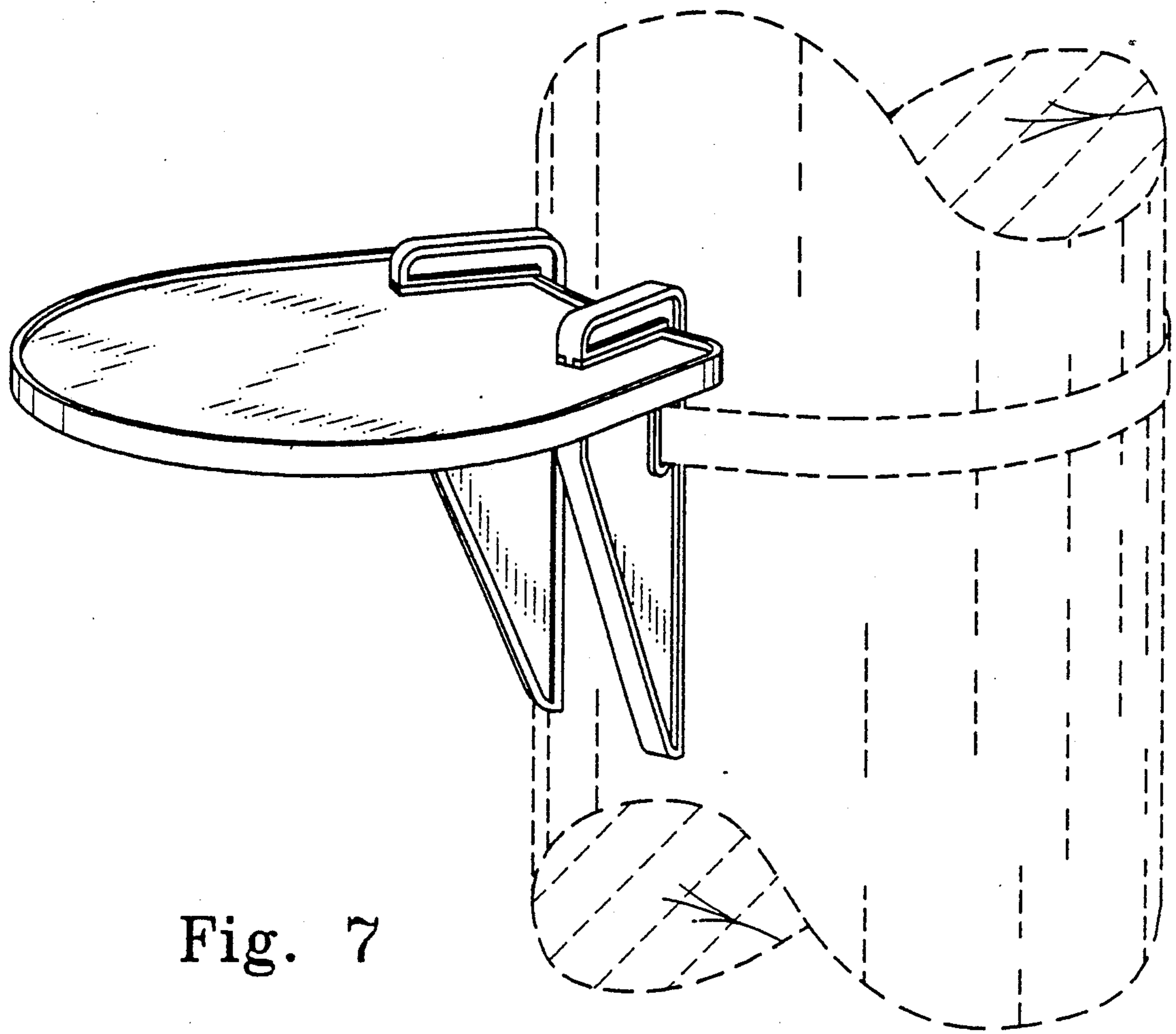


Fig. 7

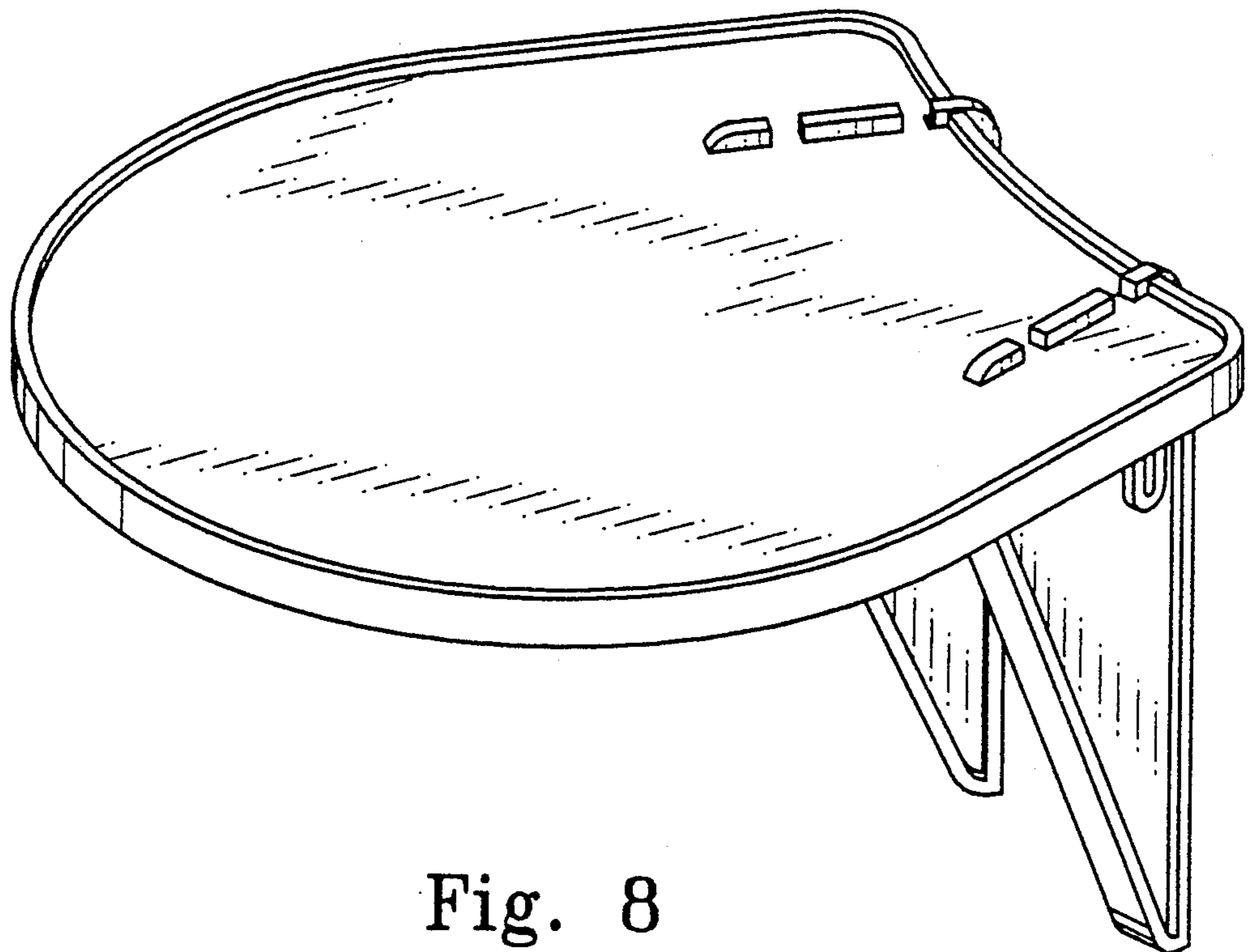


Fig. 8

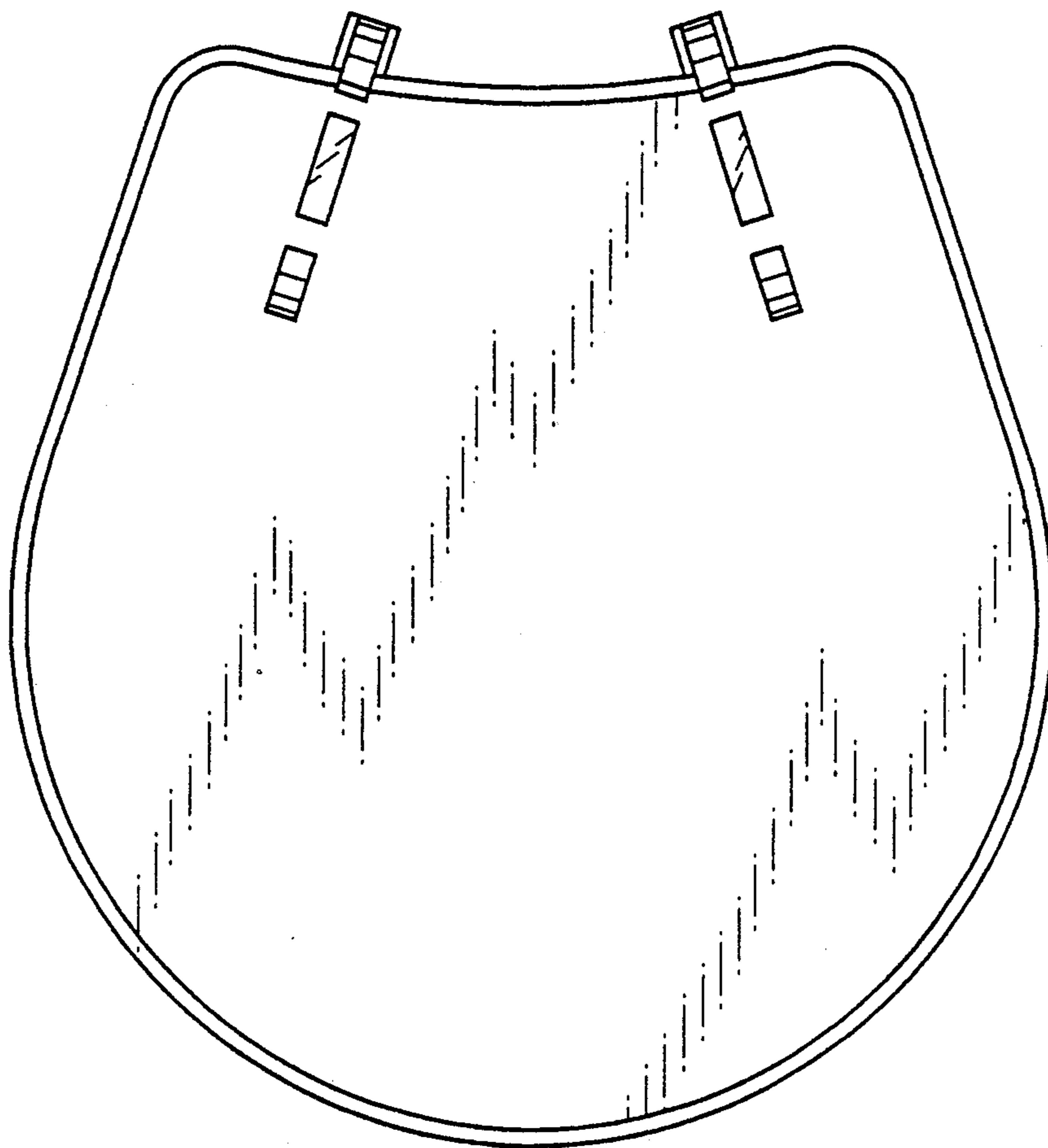


Fig. 9

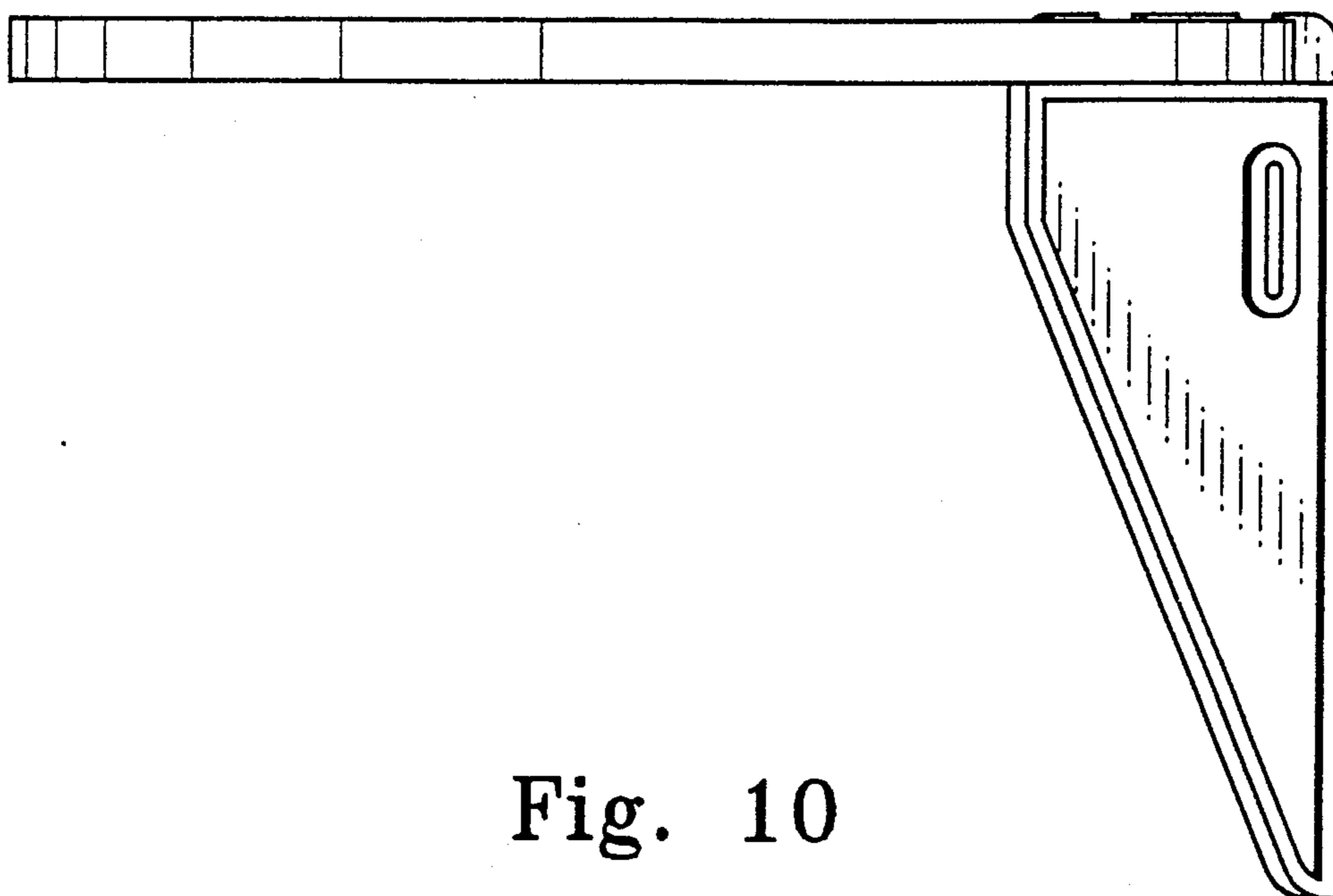


Fig. 10