



US00D325833S

United States Patent [19]

[11] Patent Number: Des. 325,833

Saotome

[45] Date of Patent: ** May 5, 1992

[54] DESK

D. 314,105 1/1991 Vossoughi D6/484

[75] Inventor: Hiroshi Saotome, Machida, Japan

OTHER PUBLICATIONS

[73] Assignee: Okumura Corporation, Kanagawa, Japan

Krueger Catalog, GSA Furniture, p. 9—Unit Assemblies, 2nd from top.

[**] Term: 14 Years

Primary Examiner—Bruce W. Dunkins

[21] Appl. No.: 266,495

Assistant Examiner—Janice E. Seeger

[22] Filed: Nov. 3, 1988

Attorney, Agent, or Firm—Beveridge, DeGrandi & Weilacher

[30] Foreign Application Priority Data

[57] CLAIM

May 18, 1988 [JP] Japan 63-19225

The ornamental design for a desk, as shown and described.

[52] U.S. Cl. D6/484; D6/429

DESCRIPTION

[58] Field of Search D6/480-485, D6/487-488, 495, 511, 400, 429, 449

FIG. 1 is a perspective view of a desk, showing my new design;

[56] References Cited

U.S. PATENT DOCUMENTS

- D. 144,872 5/1946 Rhodes D6/484
- D. 164,295 8/1951 Gierlich D6/429
- D. 236,058 7/1975 Kramer D6/484
- D. 284,532 7/1986 Vogt D6/480 X
- D. 292,765 11/1987 Esslinger et al. D6/484
- D. 311,833 11/1990 Newhouse D6/480 X
- D. 312,928 12/1990 Scheffers D6/429

FIG. 2 is a perspective view of the desk in folded condition;

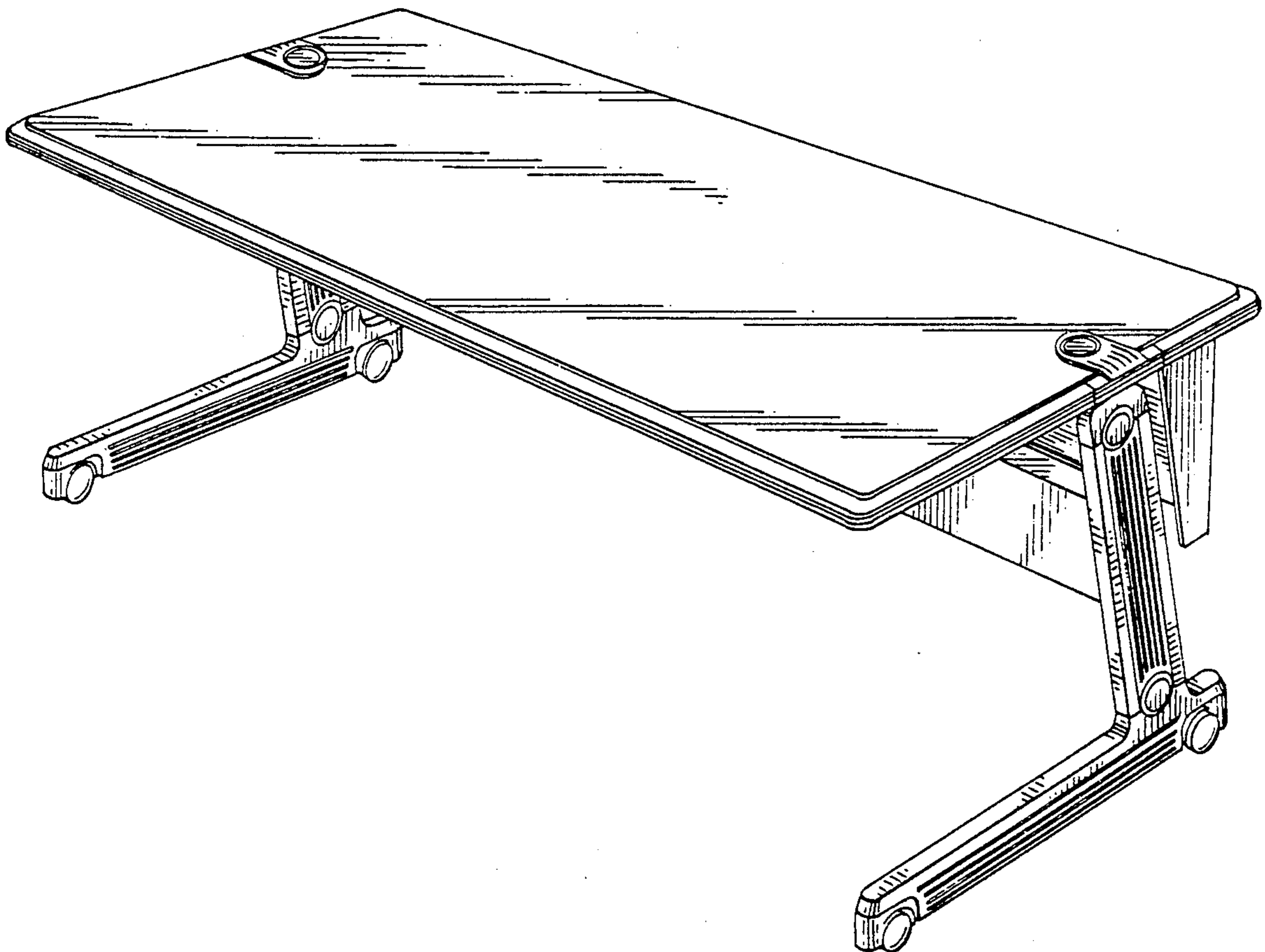
FIG. 3 is a top plan view;

FIG. 4 is a side elevational view;

FIG. 5 is an end elevational view, the opposite side being a mirror image thereof;

FIG. 6 is a rear elevational view; and,

FIG. 7 is a bottom plan view.



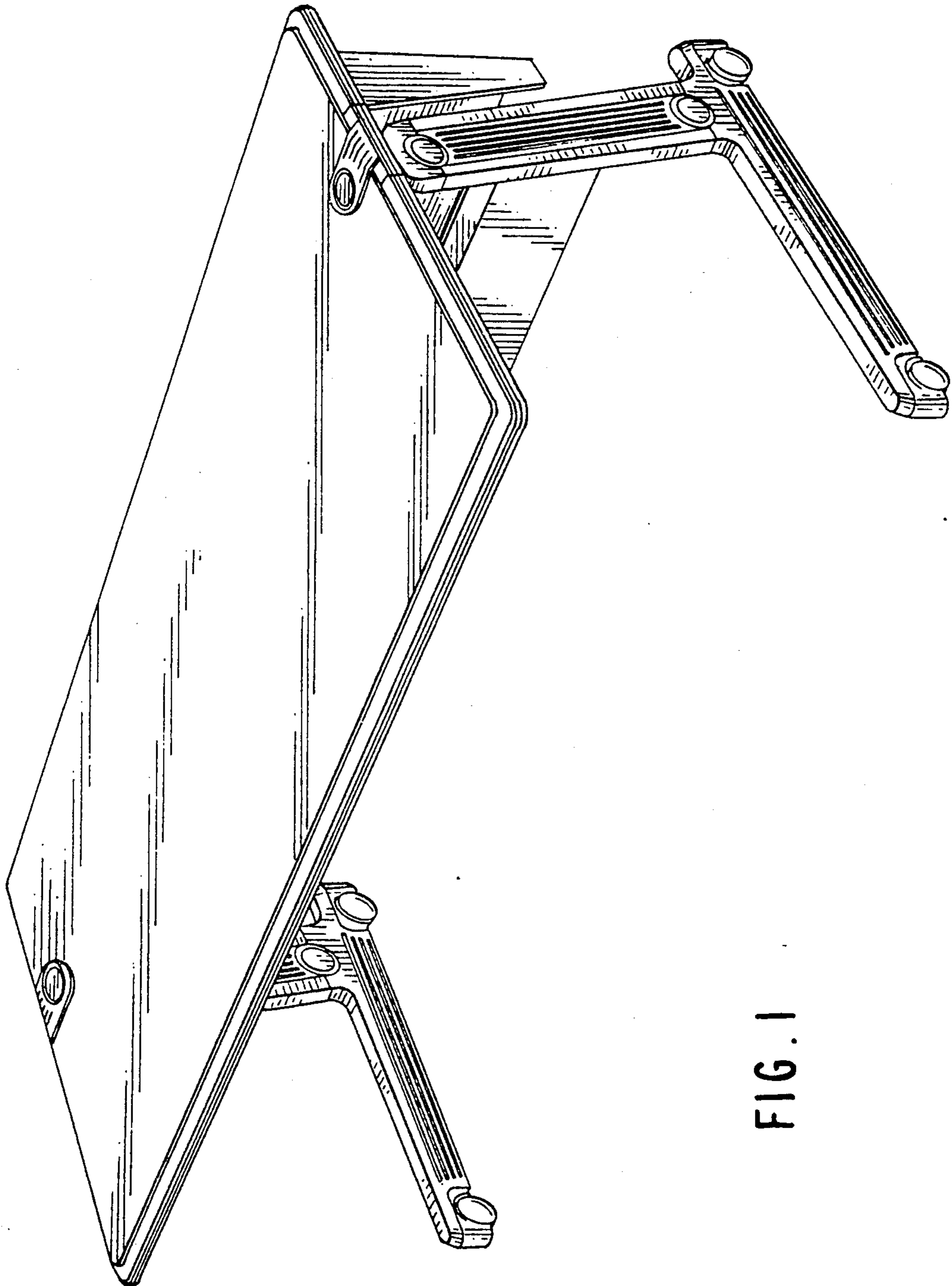


FIG. 1

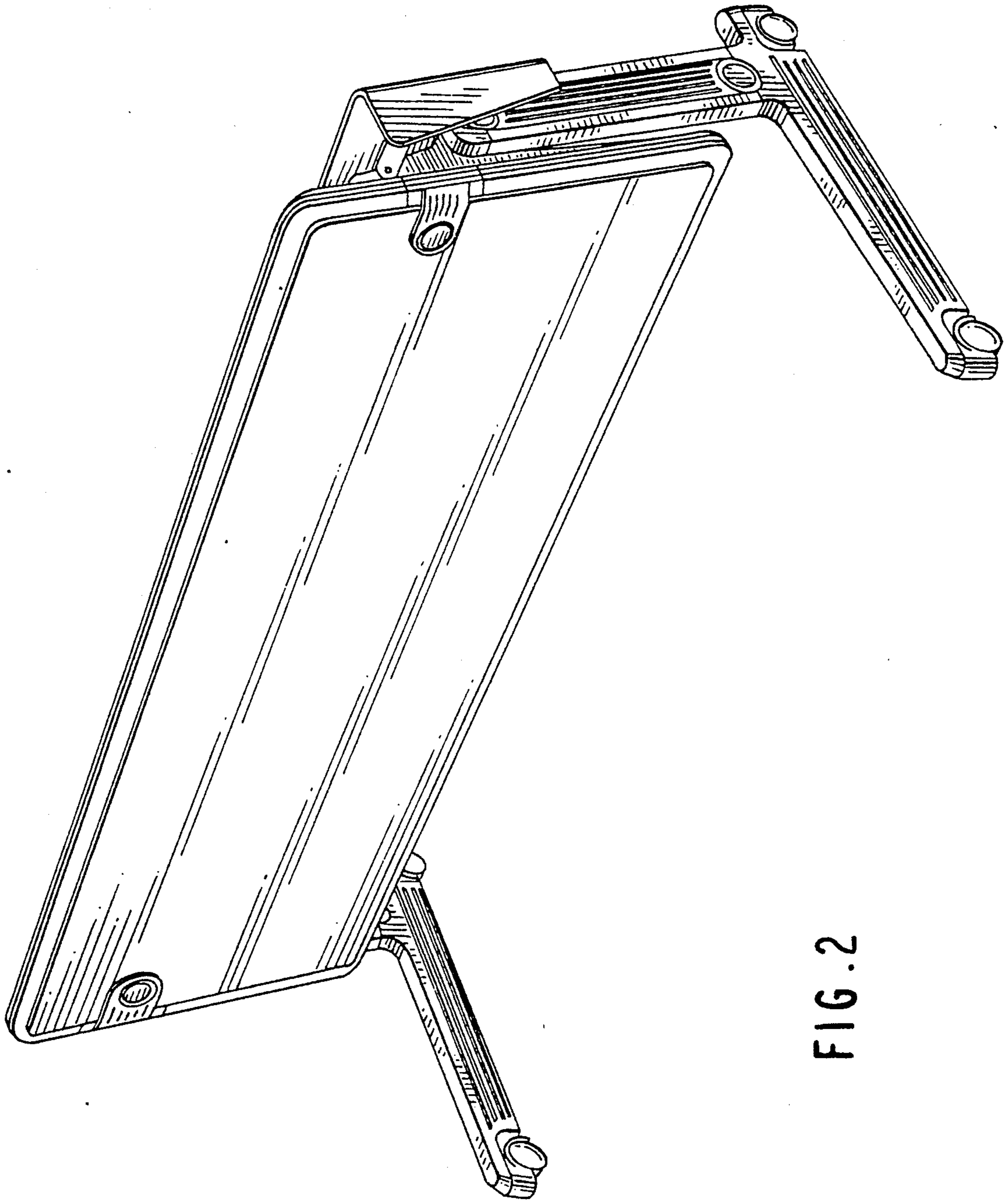


FIG. 2

FIG. 3

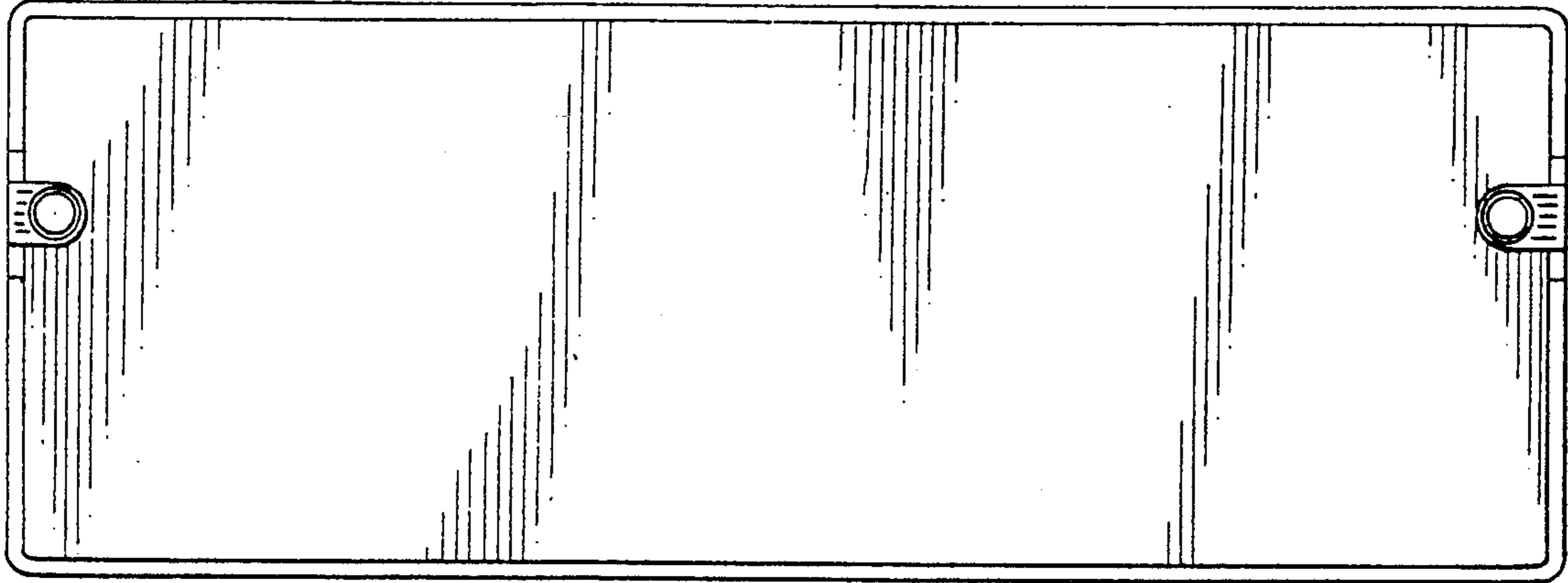


FIG. 4

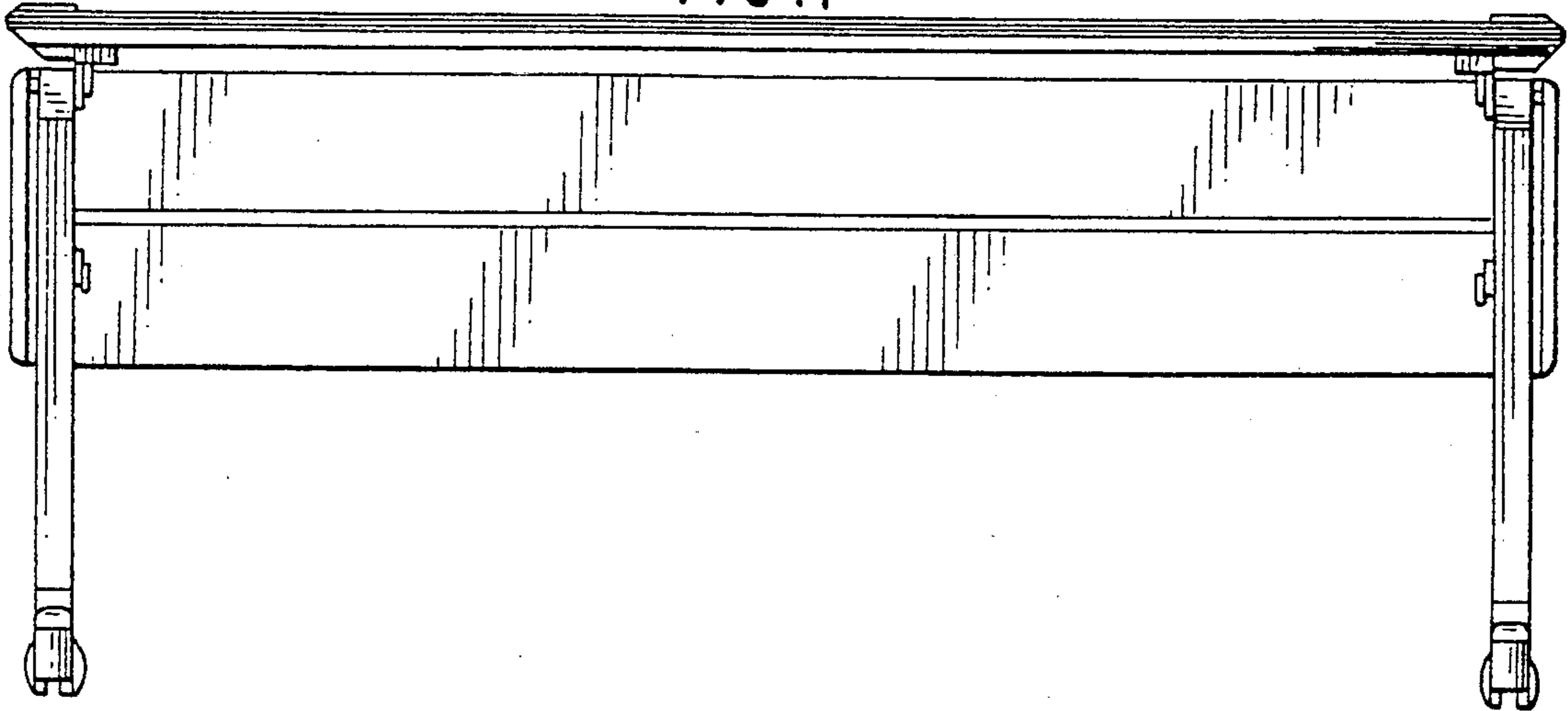


FIG. 5

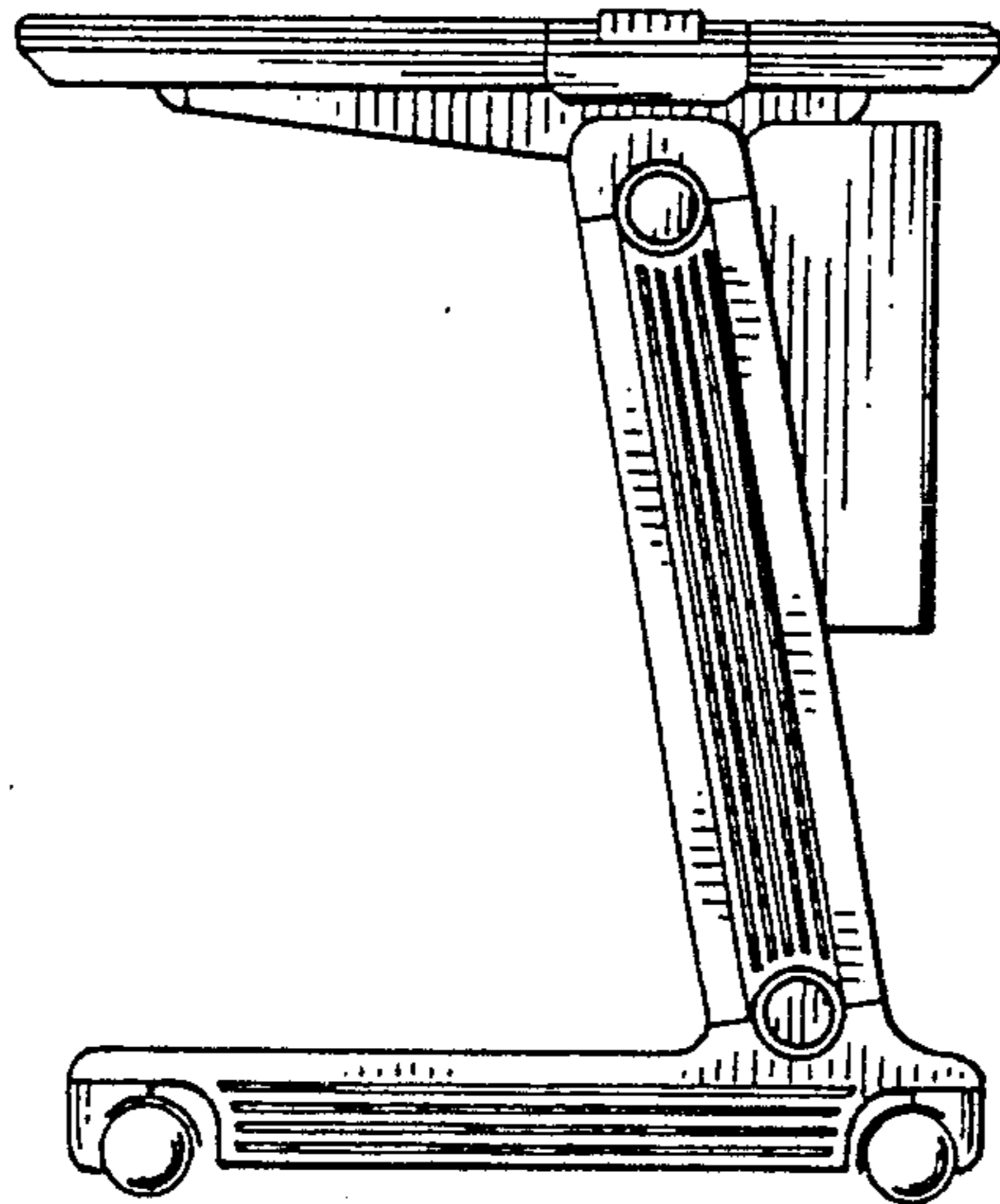


FIG. 6

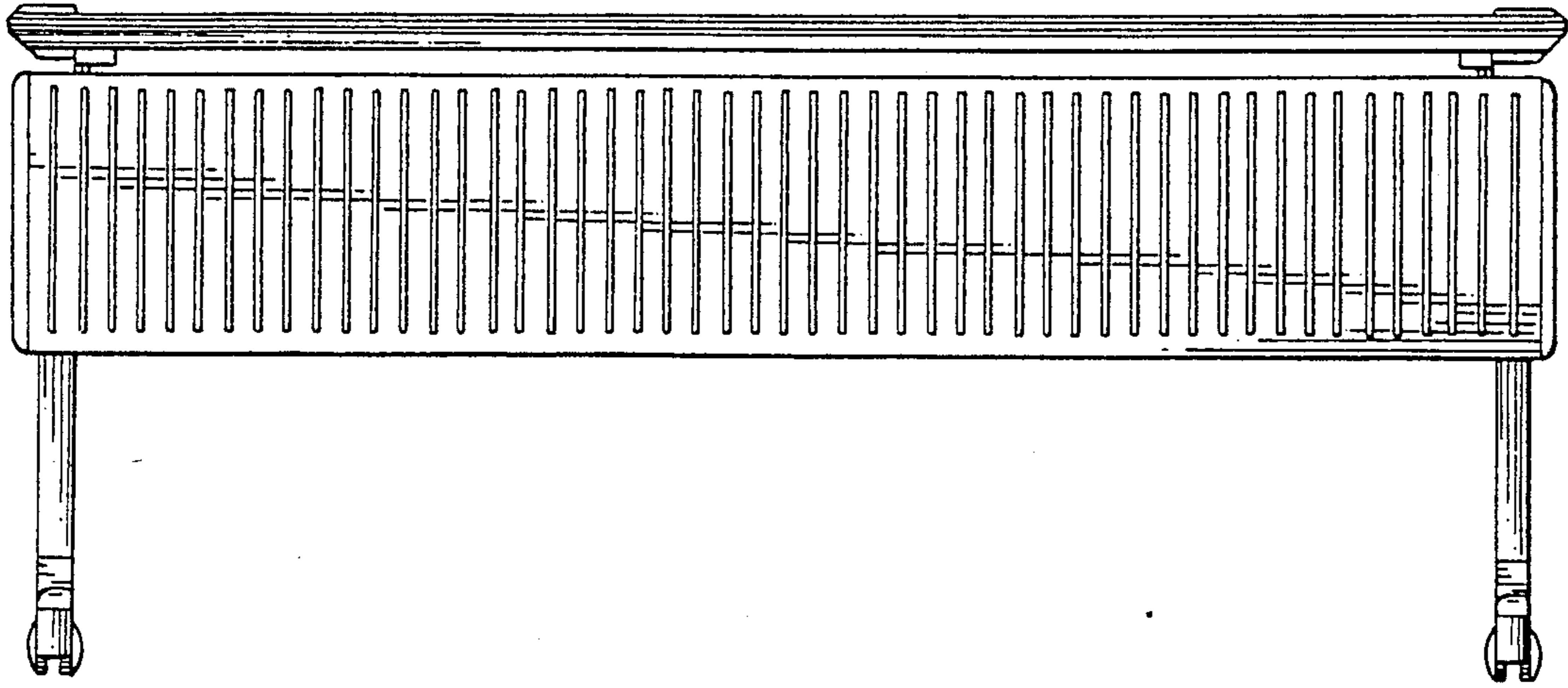


FIG. 7

