



US00D325827S

United States Patent [19]
Hibbard

[11] **Patent Number: Des. 325,827**

[45] **Date of Patent: ** May 5, 1992**

[54] **COLLAPSIBLE WORKSTAND**

[76] **Inventor: James S. Hibbard, 809 W. Main St., Space 'H', Battle Ground, Wash. 98604**

[**] **Term: 14 Years**

[21] **Appl. No.: 354,092**

[22] **Filed: May 19, 1989**

[52] **U.S. Cl. D6/429; D6/455; D6/495; D8/71**

[58] **Field of Search D6/455, 400, 457-461, D6/466-469, 462-465, 491, 495, 496, 429, 430, 431; D8/71; 40/539; 248/174**

[56] **References Cited**

U.S. PATENT DOCUMENTS.

D. 166,830	5/1952	Shinn	D6/495
D. 205,521	8/1966	Sanchez	D6/429
D. 239,678	4/1976	Blake	D6/495 X
D. 268,563	4/1983	Gagner	D6/496 X
D. 282,798	3/1986	Doezema	D6/495
558,595	4/1896	McGrann .	
641,500	1/1900	Davidson .	
648,008	4/1900	Wellman .	
1,455,569	5/1923	Caminoni .	
2,390,546	12/1945	Mather .	
2,550,959	5/1951	Bowman .	
2,771,334	11/1956	Wahlbom	D6/429 X
2,822,860	2/1958	Calabrese .	
2,917,222	12/1959	Frankenstein .	
3,029,114	4/1962	Sanchez .	
3,124,085	3/1964	Sanchez .	
3,220,362	11/1965	Dowmes .	

3,490,394	1/1970	Perkins et al. .	
3,625,195	12/1971	Grall .	
4,138,951	2/1979	Nelson .	
4,398,690	8/1983	Rutledge .	
4,607,817	8/1986	Aquino .	
4,991,335	2/1991	Krautsack	40/539 X

FOREIGN PATENT DOCUMENTS

283872 9/1965 Australia .

Primary Examiner—Donald P. Walsh

Assistant Examiner—Jeffrey Asch

Attorney, Agent, or Firm—Knobbe, Martens, Olson & Bear

[57] **CLAIM**

The ornamental design of a collapsible workstand, as shown and described.

DESCRIPTION

FIG. 1 is a perspective view of a collapsible workstand showing my new design;

FIG. 2 is a perspective view of the article in a collapsed condition;

FIG. 3 is a side elevational view of the article in an unfolded condition;

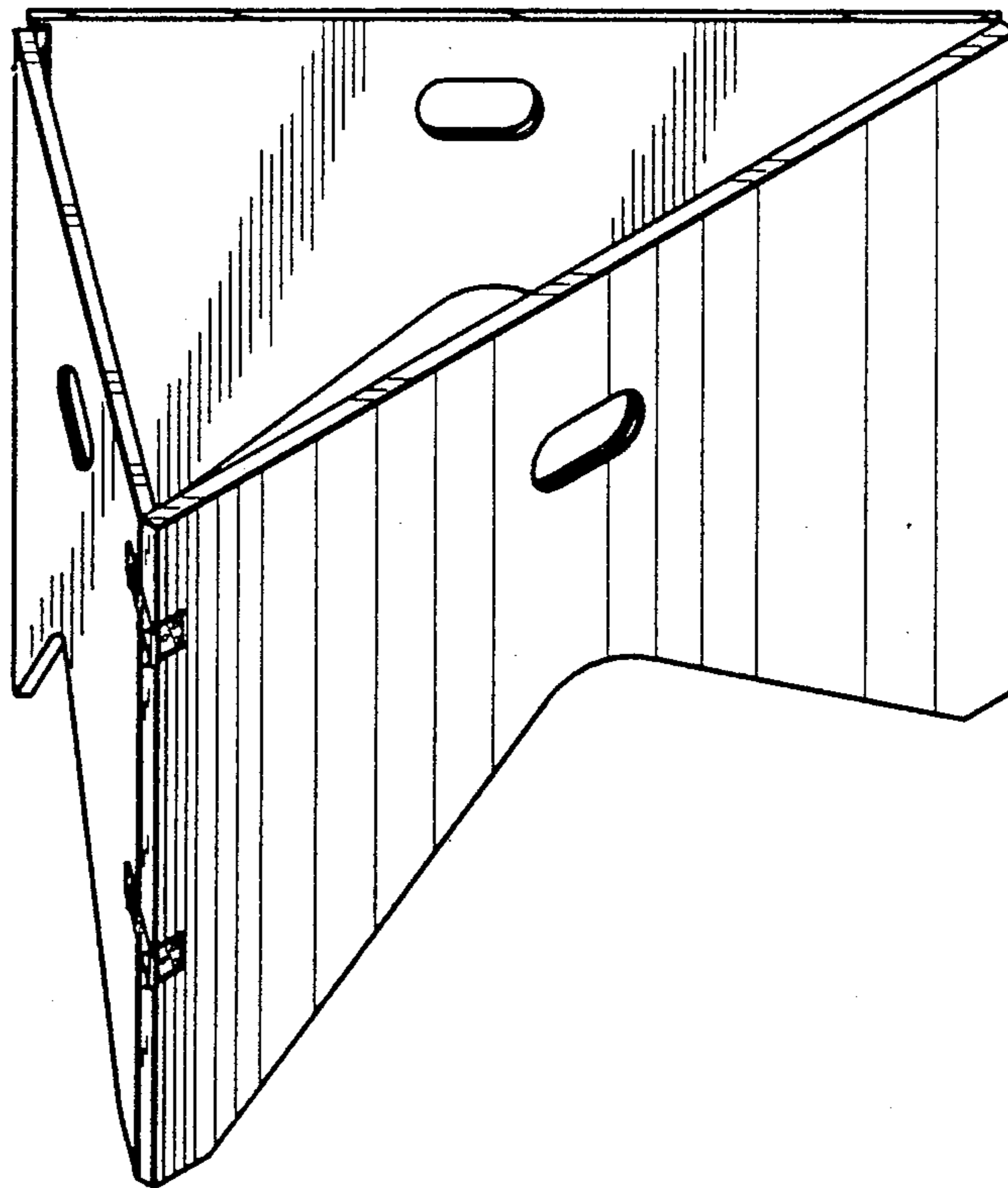
FIG. 4 is a top plan view;

FIG. 5 is a side elevational view showing the opposite side shown in FIG. 3;

FIG. 6 is a bottom plan view; and,

FIG. 7 is a bottom plan view thereof showing the article in partially collapsed condition.

FIGS. 3-7 have been shown on a reduced scale with respect to FIG. 1.



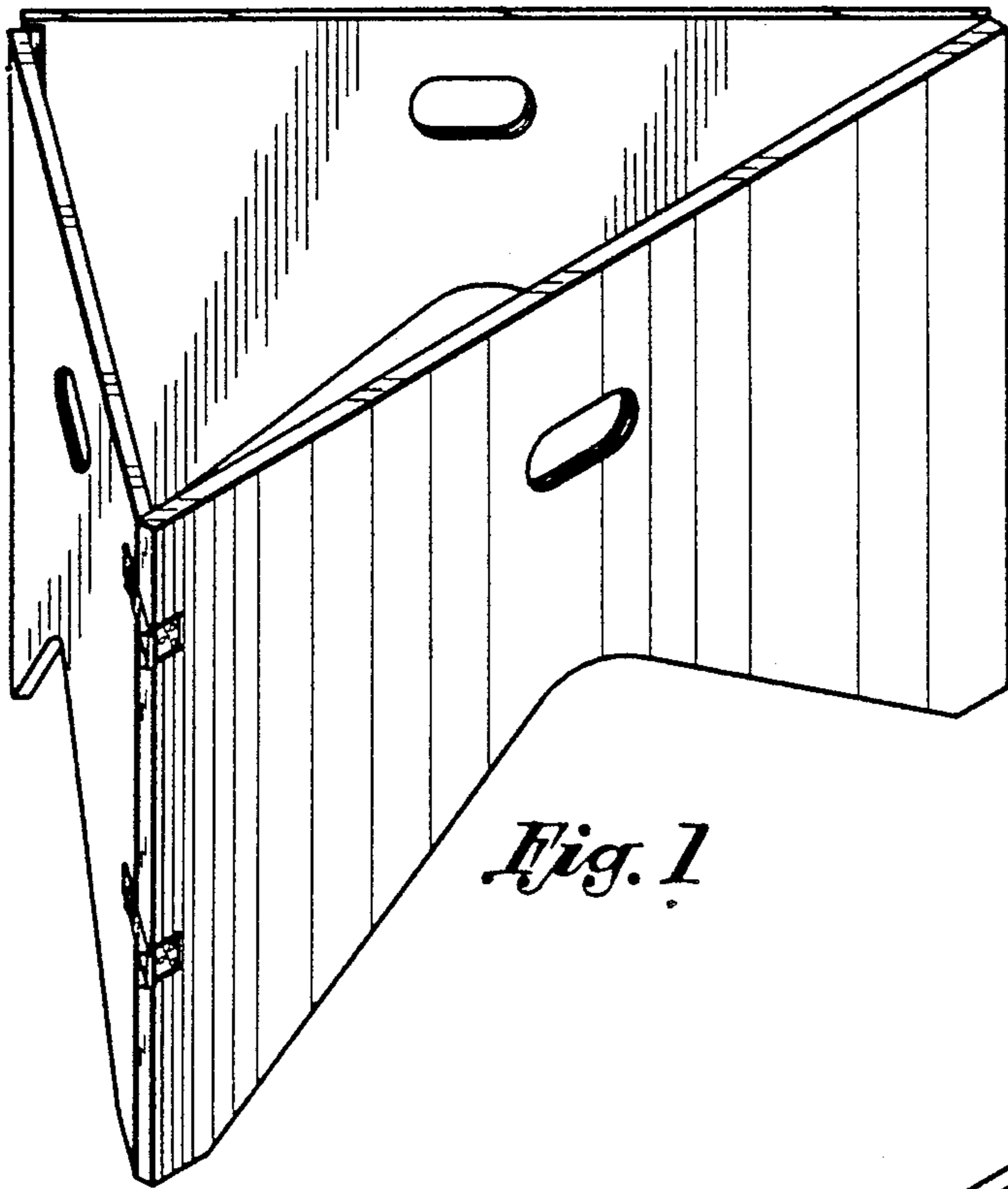


Fig. 1

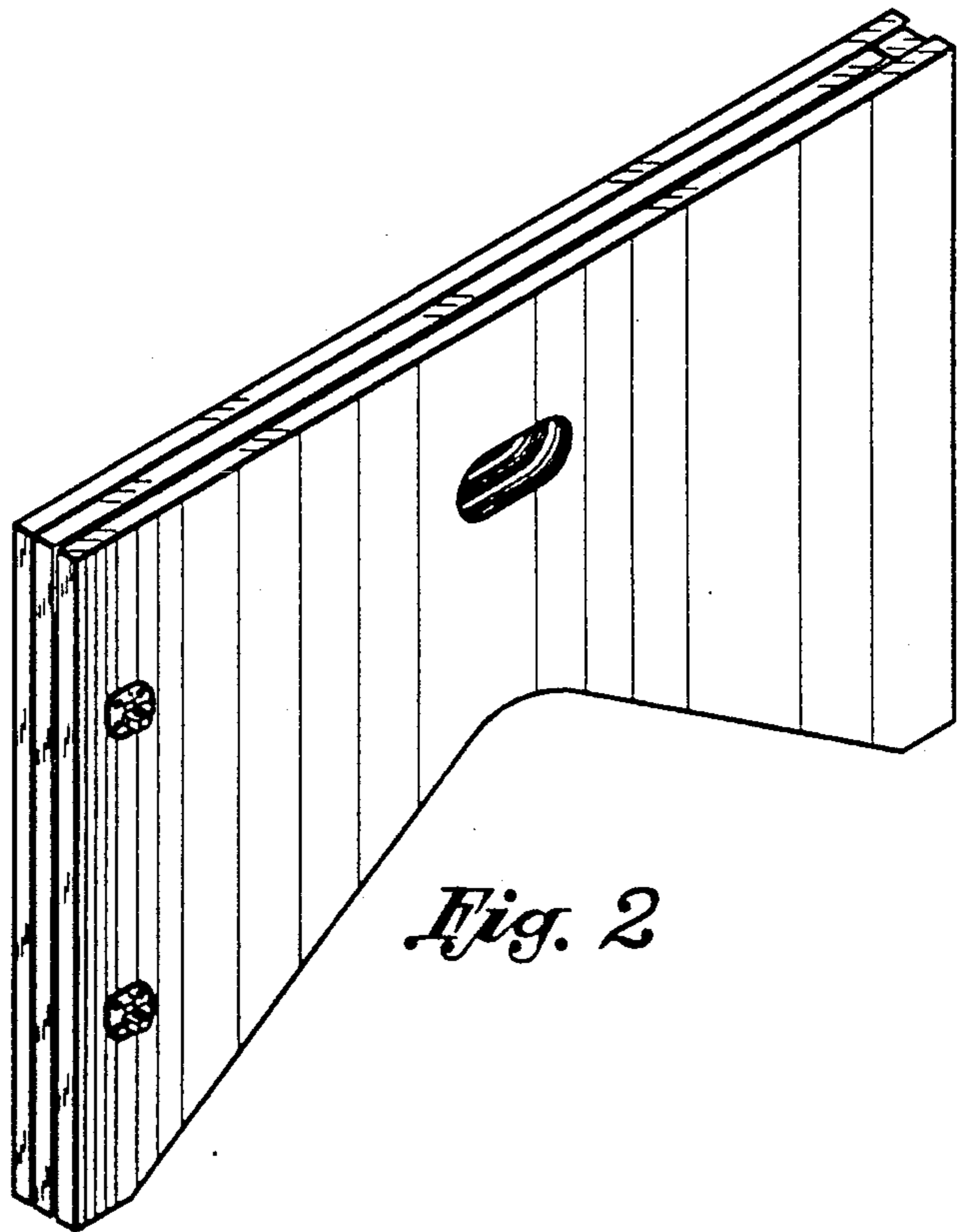


Fig. 2

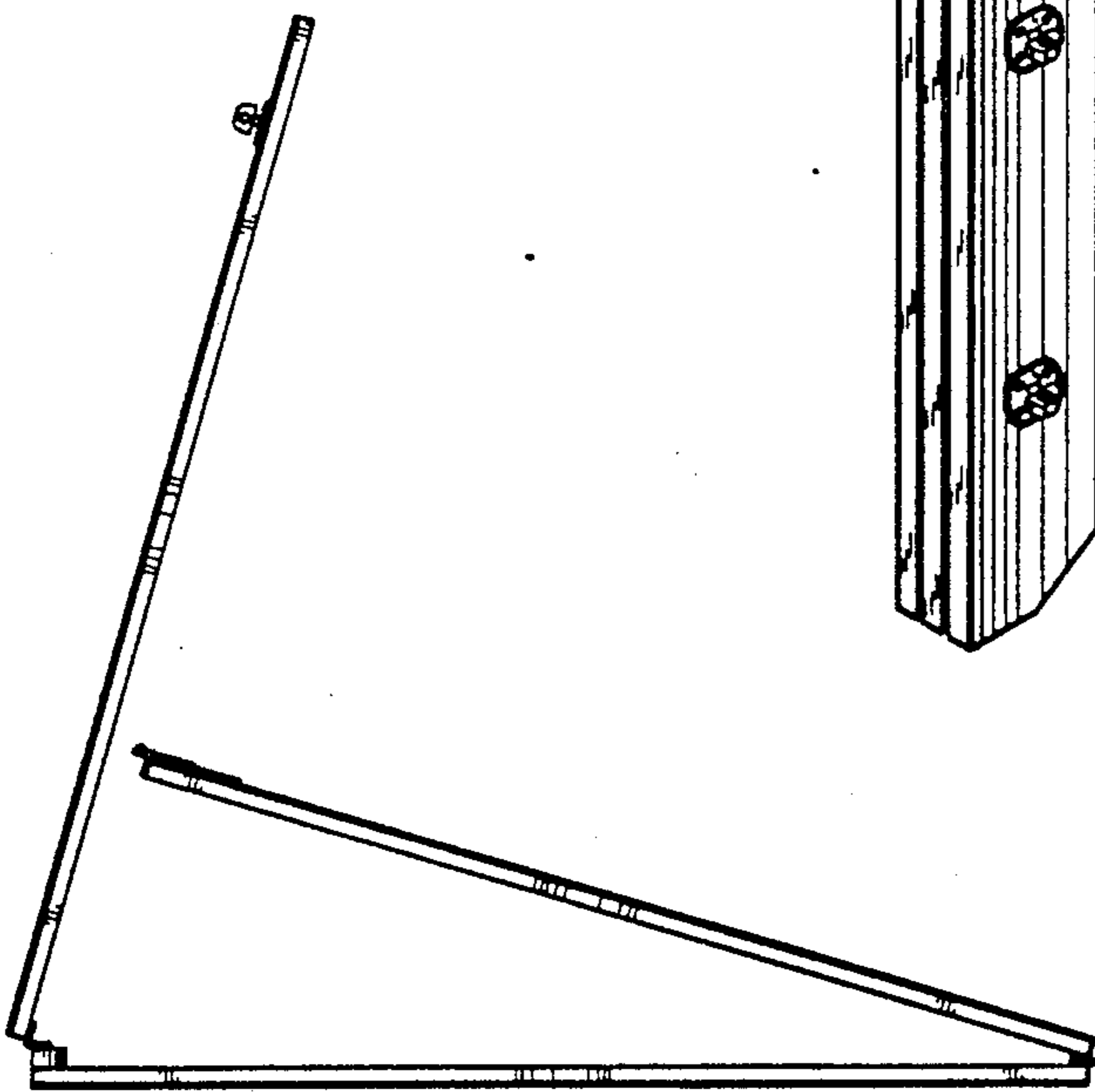


Fig. 7

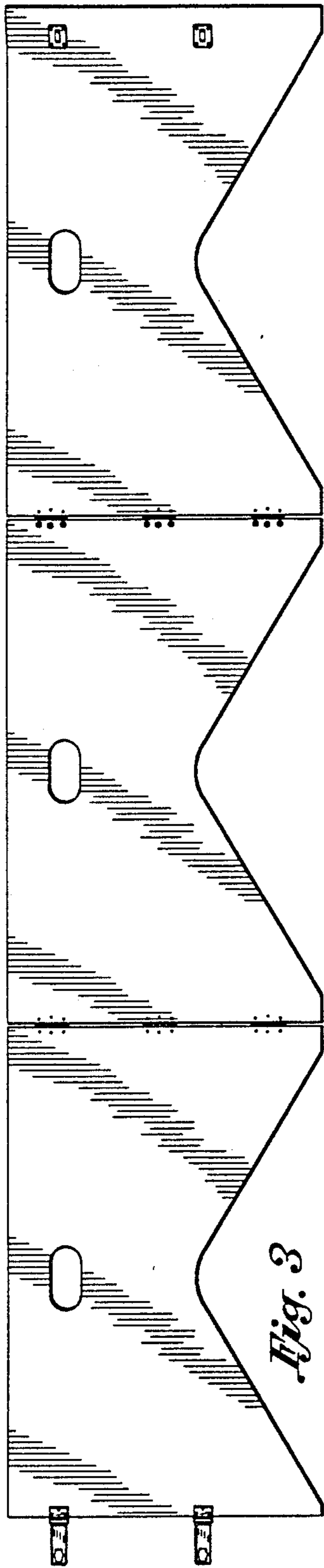


Fig. 4

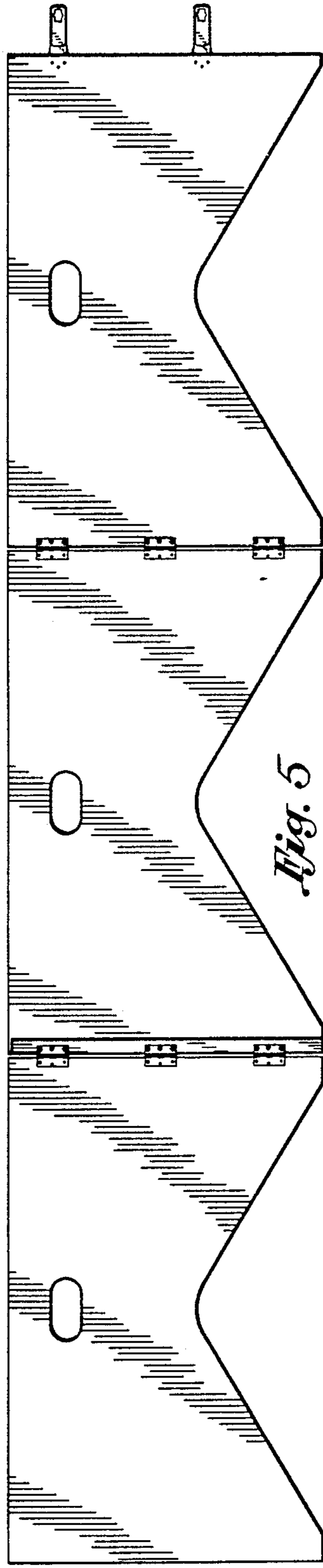


Fig. 6

