



US00D325826S

United States Patent [19]

Brunner et al.

[11] Patent Number: **Des. 325,826**

[45] Date of Patent: **** May 5, 1992**

[54] DRESSING KIT

[75] Inventors: **Merlin A. Brunner**, Appleton;
Harvey J. Draheim, Weyauwega,
both of Wis.

[73] Assignee: **Simmons Juvenile Products
Company, Inc.**, New London, Wis.

[**] Term: **14 Years**

[21] Appl. No.: **463,604**

[22] Filed: **Jan. 11, 1990**

[52] U.S. Cl. **D6/397; D3/74;
D6/396; D6/414; D6/432; D19/92**

[58] Field of Search **D6/396, 397, 410, 411-415,
D6/421, 422, 432, 445, 446, 448, 467, 441, 468,
475, 479, 495, 407; D7/616; D3/74; D19/90,
91, 92**

[56] **References Cited**

U.S. PATENT DOCUMENTS

D. 226,892 5/1973 Degennaro D19/92 X
D. 280,791 10/1985 Farkas D6/432 X
4,366,998 1/1983 Kaiser D3/74 X

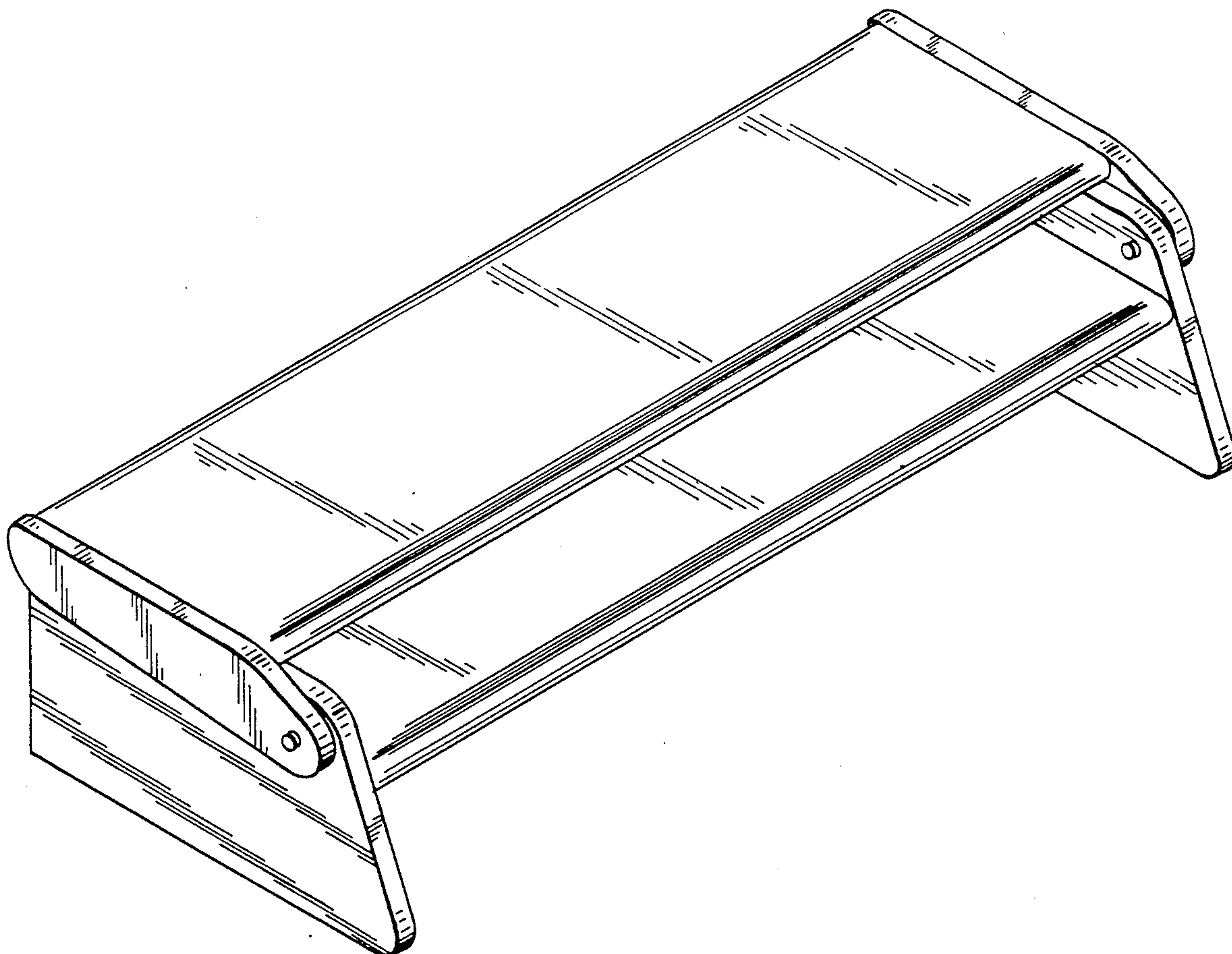
Primary Examiner—Donald P. Walsh
Assistant Examiner—Monica A. Hannon
Attorney, Agent, or Firm—Hoffmann & Baron

[57] **CLAIM**

The ornamental design for a dressing kit, as shown and described.

DESCRIPTION

FIG. 1 is a front perspective view of a dressing kit showing our new design;
FIG. 2 is a side elevation view thereof, the opposite side being a mirror image thereof;
FIG. 3 is a top plan view thereof;
FIG. 4 is a front elevation view thereof;
FIG. 5 is a bottom plan view thereof; and,
FIG. 6 is a rear elevation view thereof.



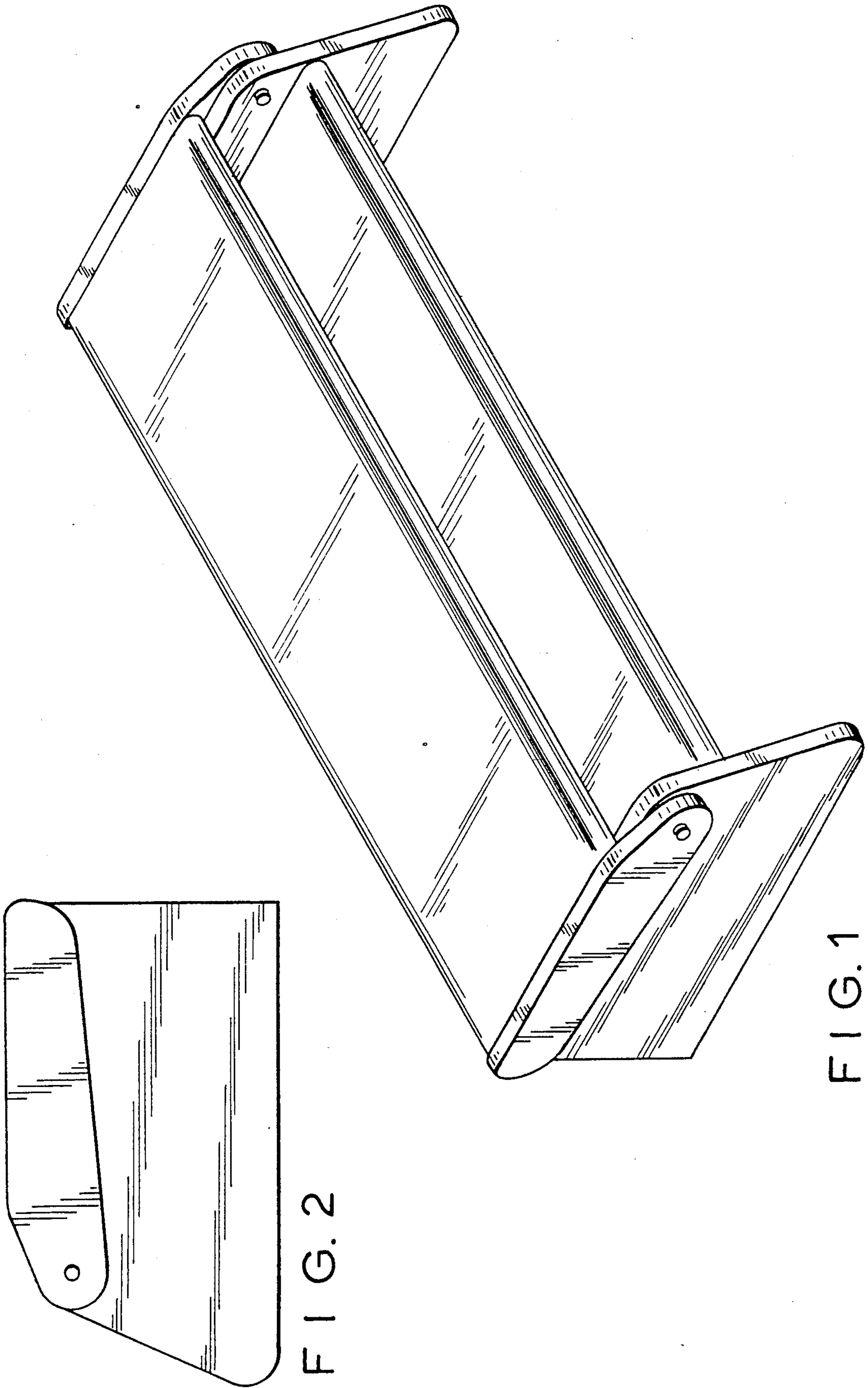


FIG. 2

FIG. 1

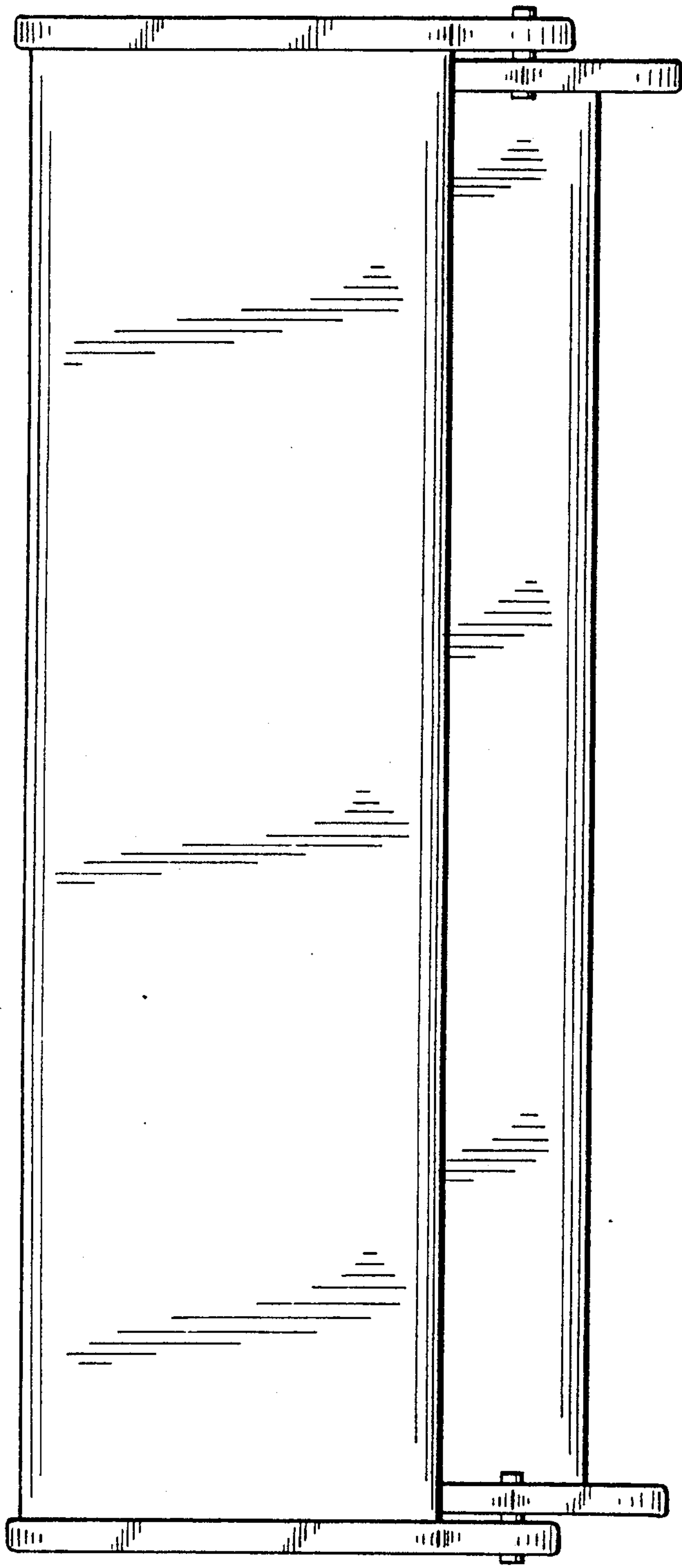


FIG. 3

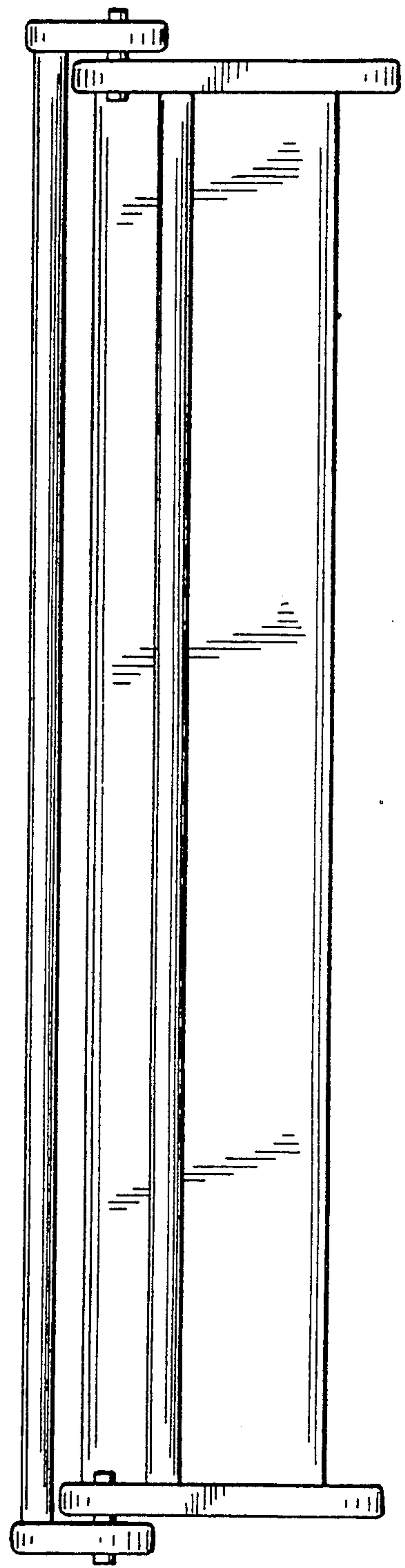


FIG. 4

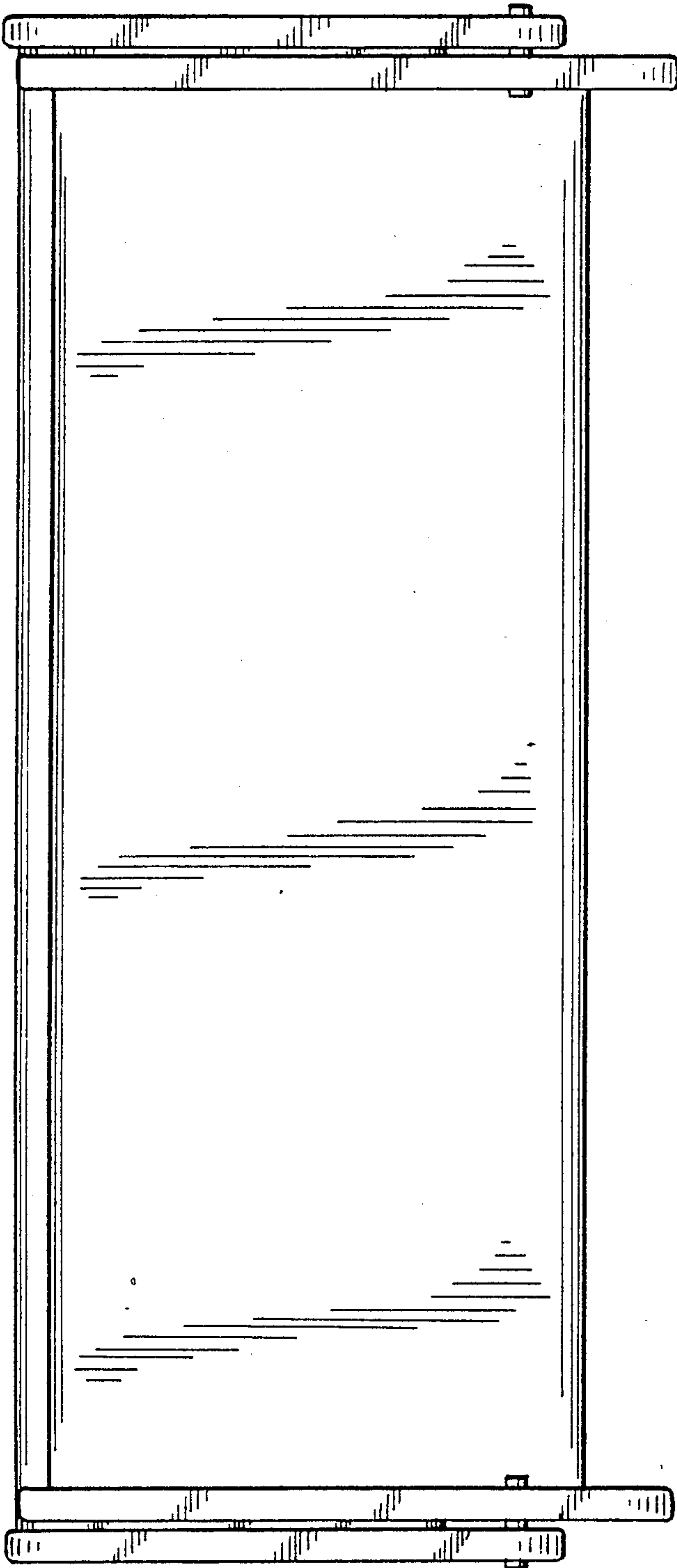


FIG. 5

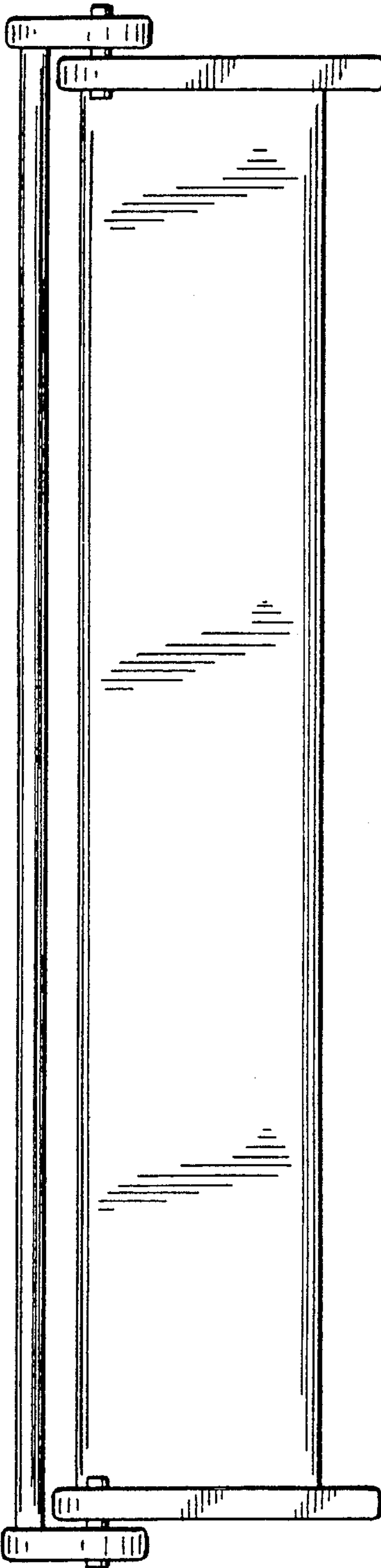


FIG. 6