



US00D325823S

United States Patent [19]

[11] Patent Number: Des. 325,823

Pomeroy et al.

[45] Date of Patent: ** May 5, 1992

[54] COMBINED GLIDER AND END TABLE UNIT

[75] Inventors: Charles Pomeroy; John T. Bycraft, both of South Bend, Ind.

[73] Assignee: Jack-Post Corporation, Buchanan, Mich.

[*] Notice: The portion of the term of this patent subsequent to Nov. 15, 2002 has been disclaimed.

[**] Term: 14 Years

[21] Appl. No.: 241,552

[22] Filed: Sep. 7, 1988

[52] U.S. Cl. D6/335; D6/344; D6/370

[58] Field of Search D6/334, 344, 345, 346, D6/347, 370, 379, 380

[56] References Cited

U.S. PATENT DOCUMENTS

D. 135,777	6/1943	Smith	D6/347
D. 141,705	6/1945	Slaughter	D6/347
D. 165,835	2/1952	Glass	D6/347
D. 281,376	11/1985	Gregors, III	D6/344
D. 290,911	7/1987	Pomeroy et al.	D6/347
D. 298,490	11/1988	Pomeroy et al. .	

OTHER PUBLICATIONS

- Double Glider by Behlen Mfg. Co.
- Glider by Iron Mountain Forge.
- Glider by Cardinal American Holiday Club WGL-10V.
- Glider by Cardinal American Holiday Club Model WGL-10.
- Glider by Cardinal American Patio Mates GL-10.
- Glider by Oakwood Manufacturing Inc.
- Glider by Flanders Industries.
- Glider by Jack-Post Corporation Model FRGL.

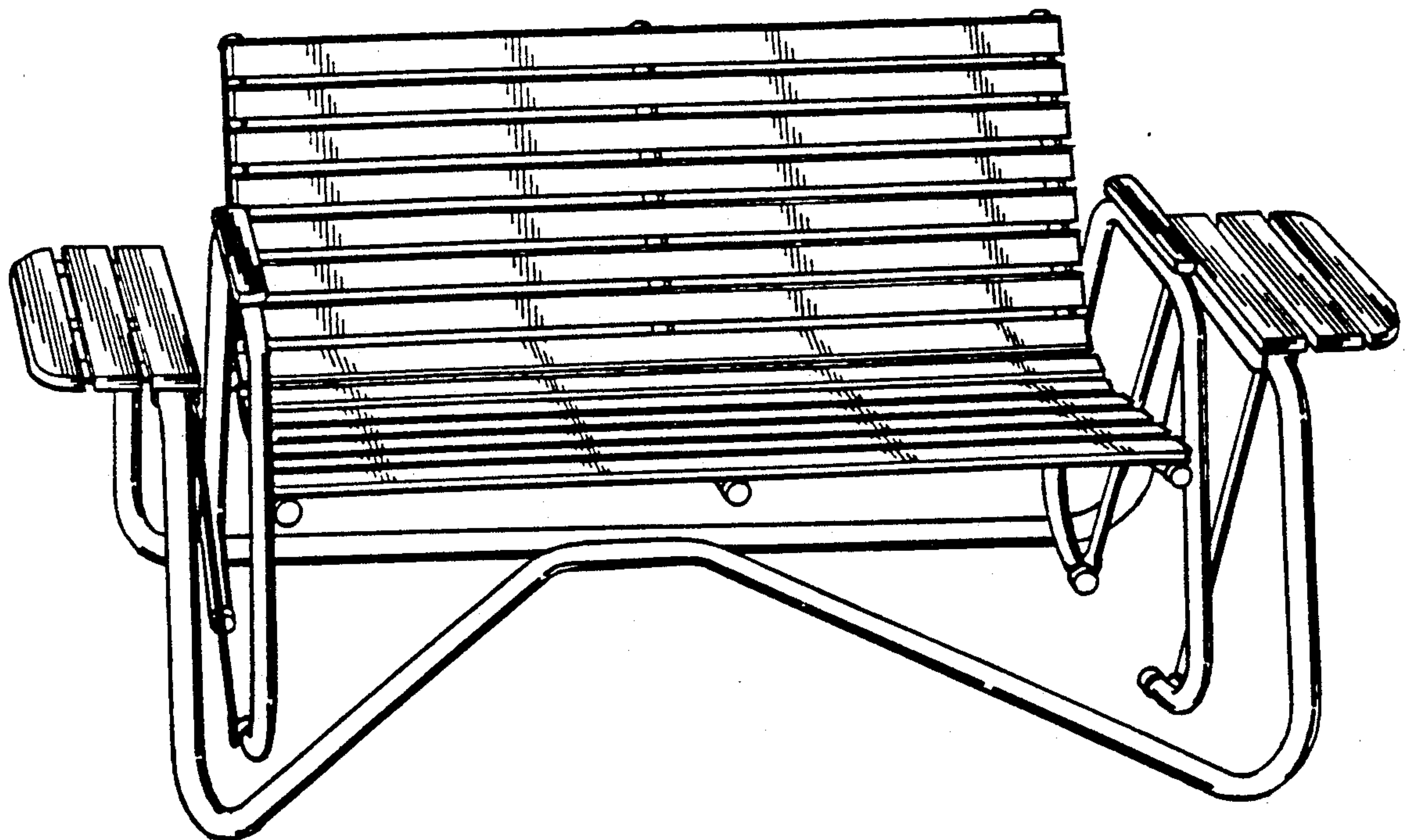
Primary Examiner—Bruce W. Dunkins
Assistant Examiner—Gary D. Watson
Attorney, Agent, or Firm—Arnold, White & Durkee

[57] CLAIM

The ornamental design for a combined glider and end table unit, as shown and described.

DESCRIPTION

FIG. 1 is a front perspective view of a combined glider and end table unit showing our new design;
FIG. 2 is a left side elevational view, the right side being a mirror image thereof;
FIG. 3 is a front elevational view;
FIG. 4 is a rear elevational view;
FIG. 5 is a top plan view; and,
FIG. 6 is a bottom plan view thereof.



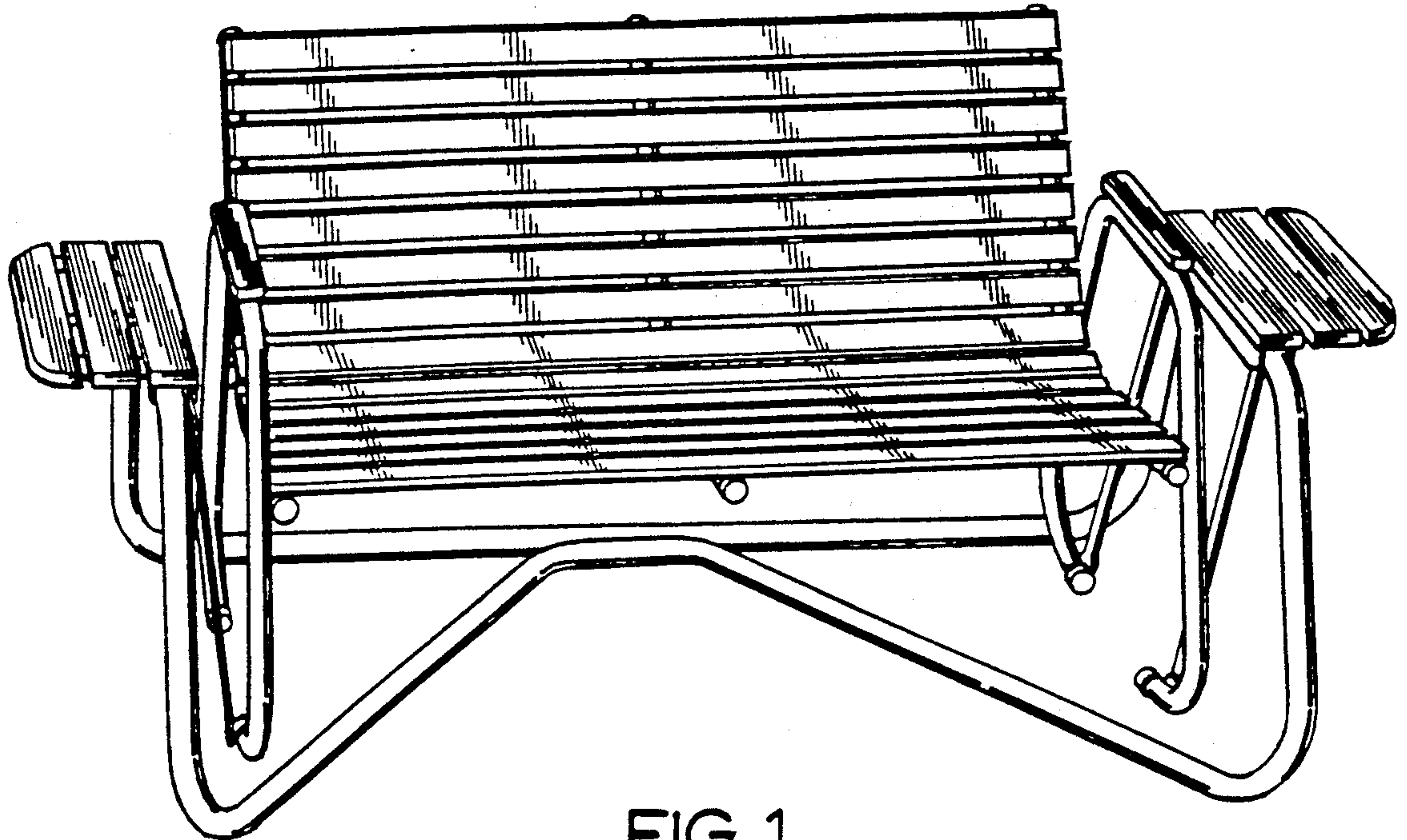


FIG. 1

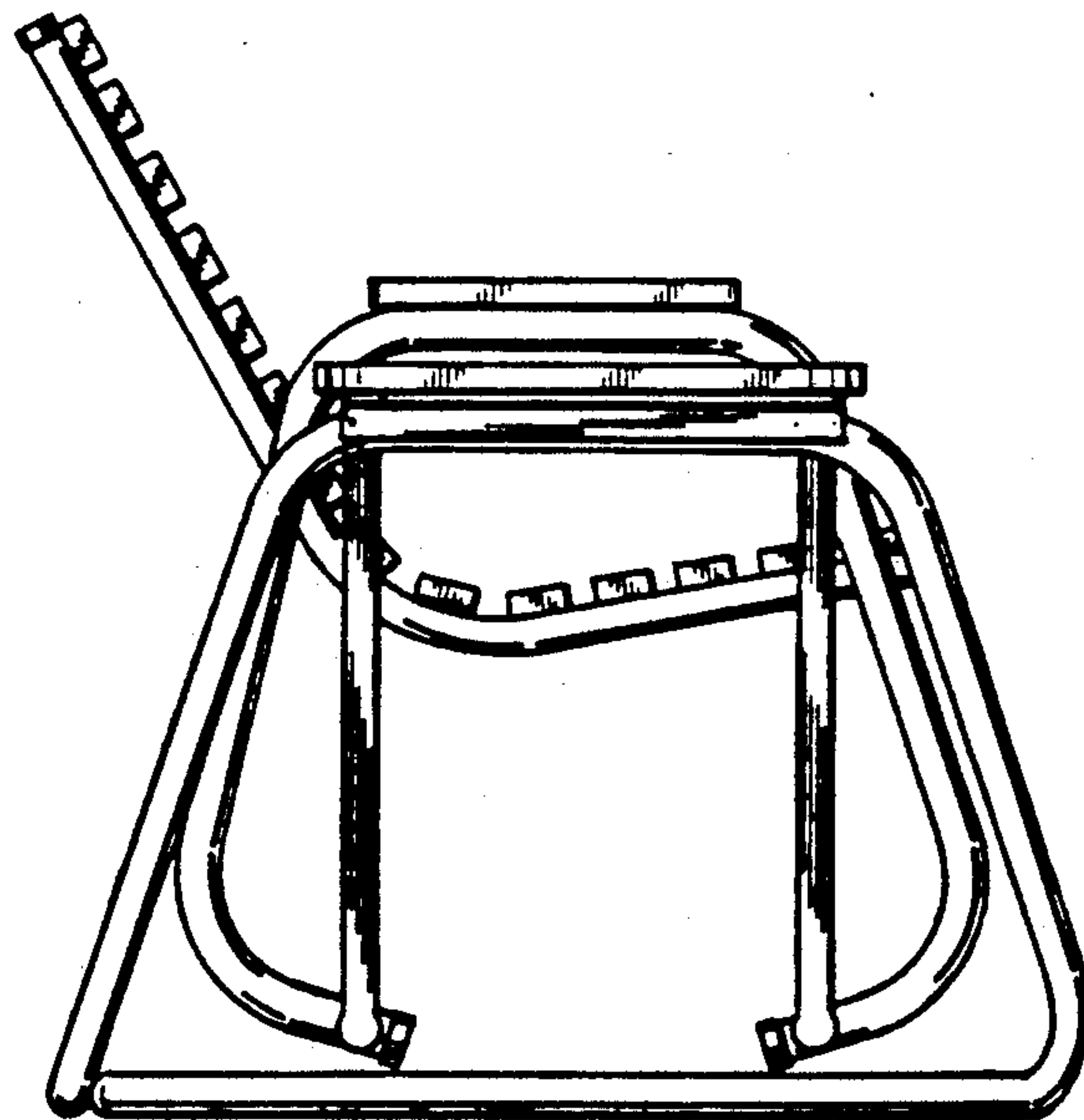


FIG. 2

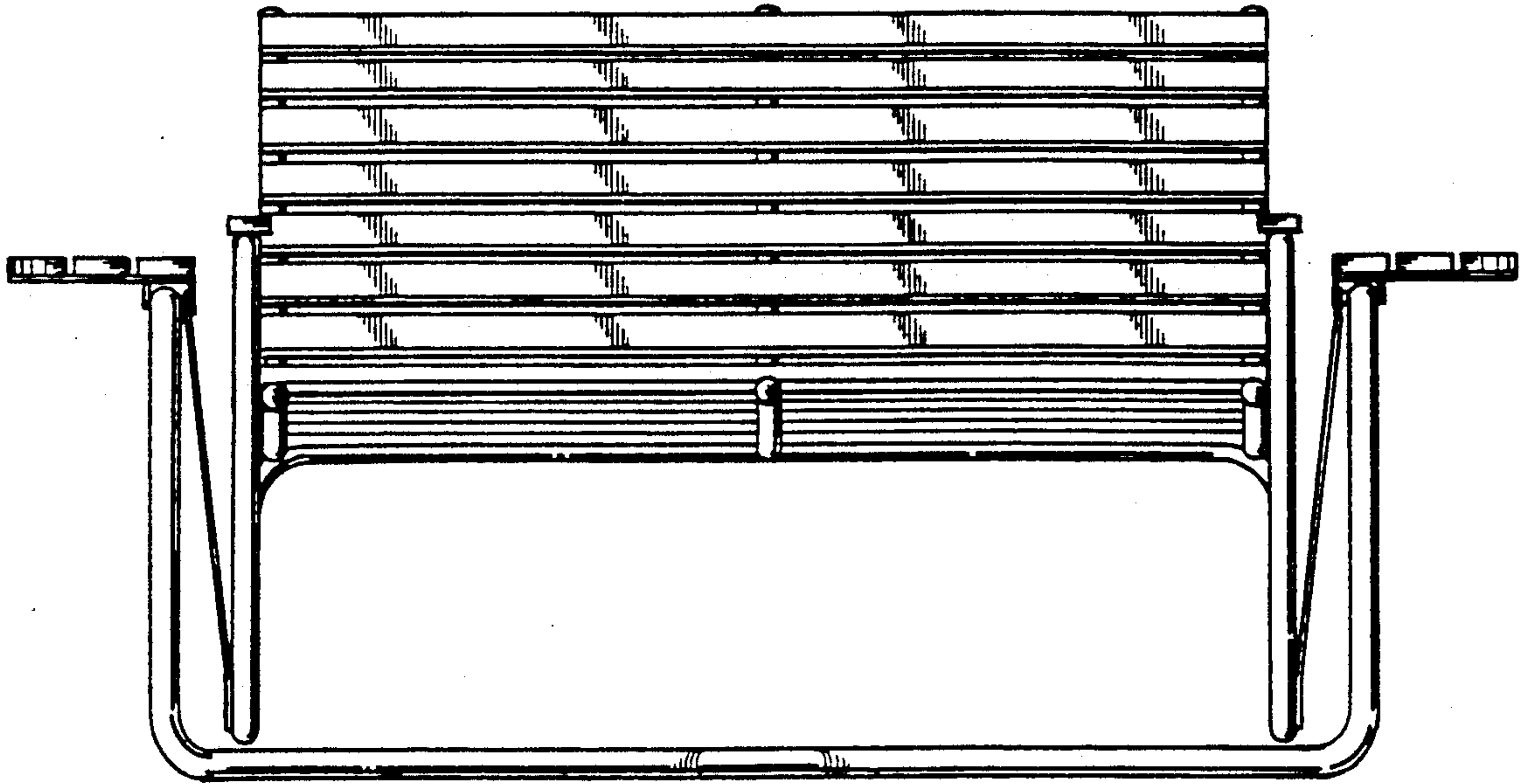


FIG. 3

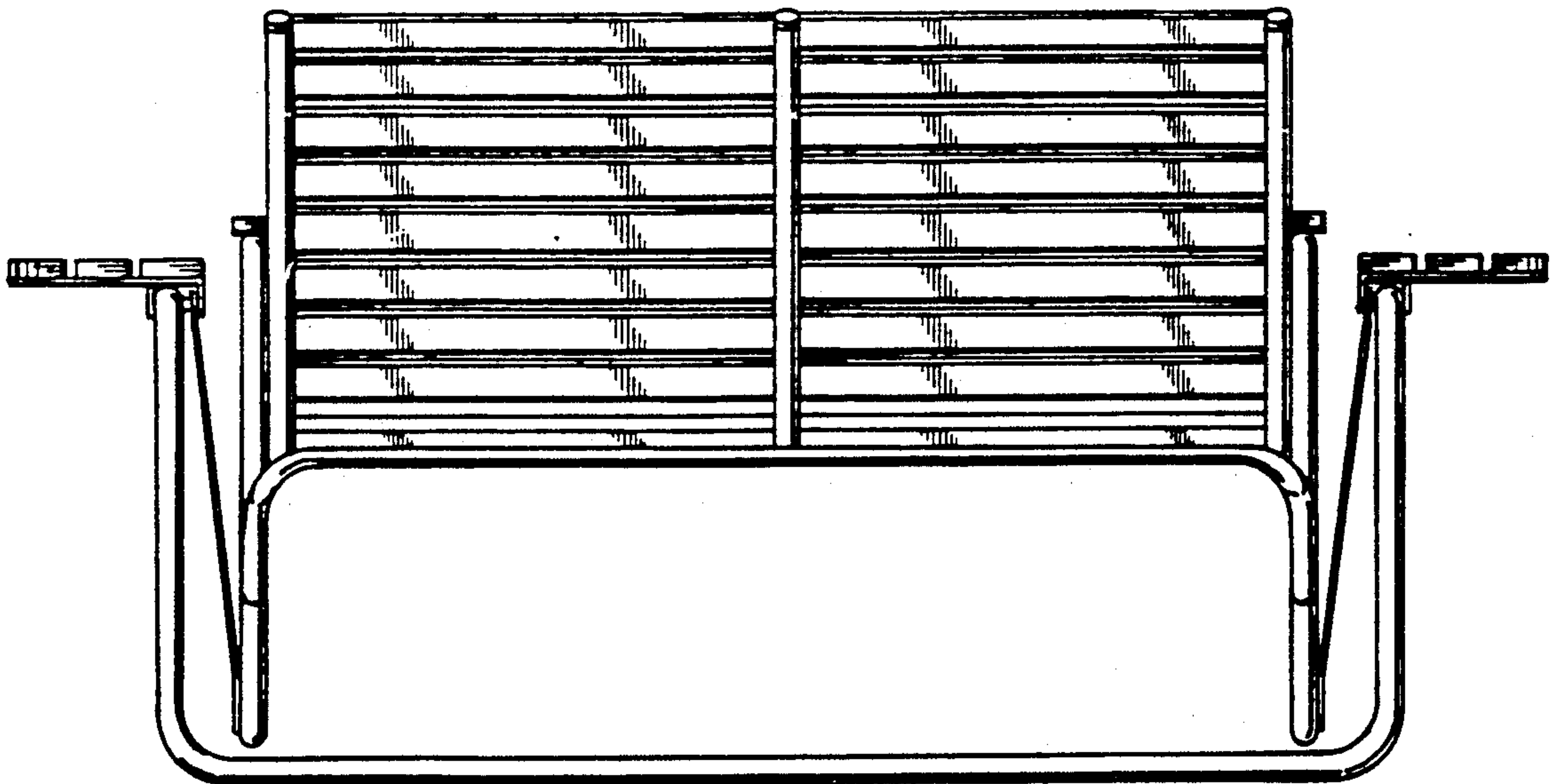


FIG. 4

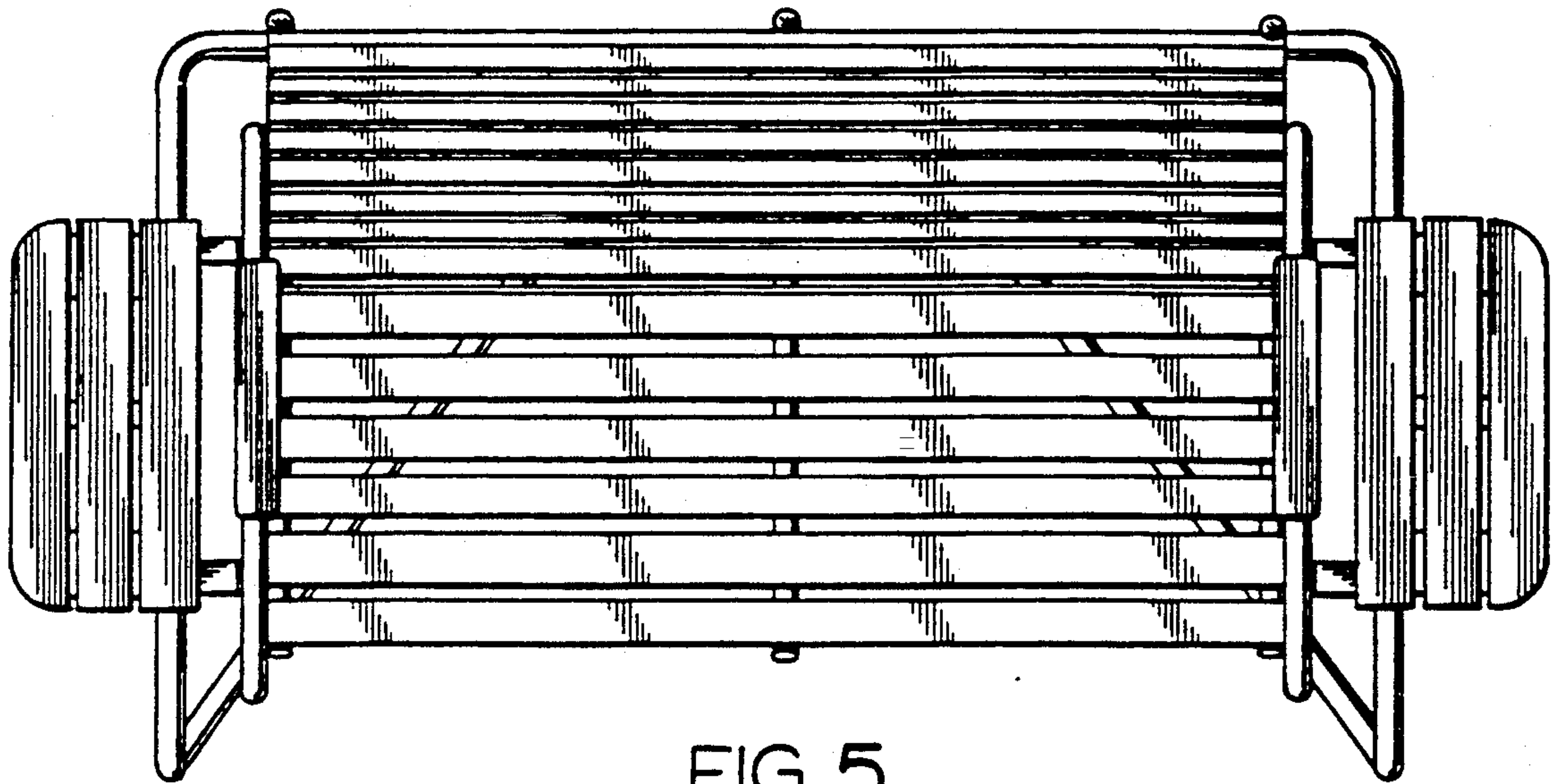


FIG. 5

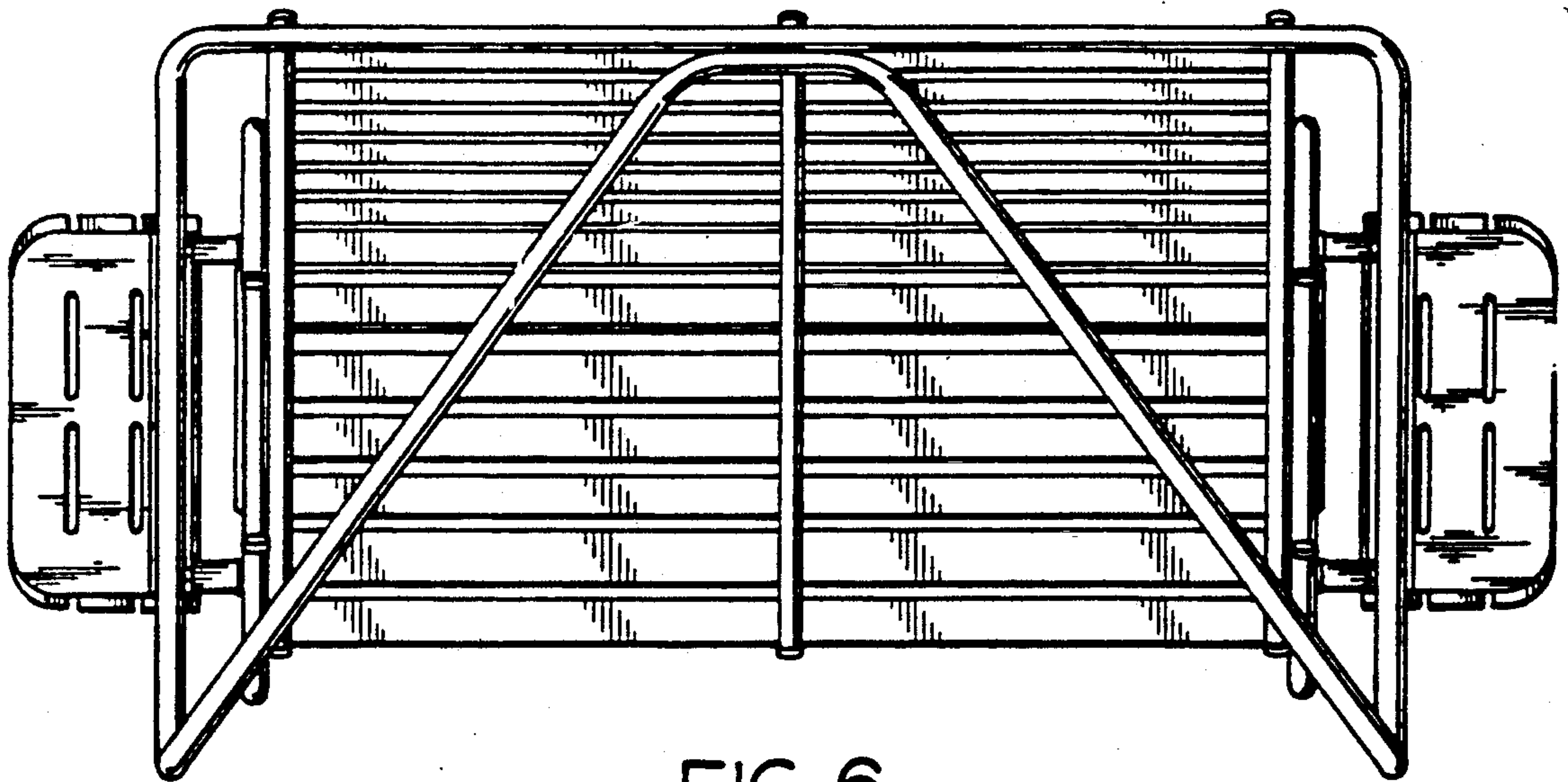


FIG. 6