



US00D325803S

United States Patent [19]

[11] Patent Number: **Des. 325,803**

Sugiue

[45] Date of Patent: **** Apr. 28, 1992**

[54] **INCINERATOR**

[75] Inventor: **Shigeki Sugiue, Kagawa, Japan**

[73] Assignee: **Kabushiki Kaisha Toyoseisakusho, Kagawa, Japan**

[**] Term: **14 Years**

[21] Appl. No.: **481,474**

[22] Filed: **Feb. 16, 1990**

[30] **Foreign Application Priority Data**

Aug. 30, 1989 [JP] Japan 1-31329

[52] U.S. Cl. **D34/1.1**

[58] Field of Search **D34/1.1; 110/244, 245, 110/243**

[56] **References Cited**

U.S. PATENT DOCUMENTS

1,975,403 10/1934 Perky D34/1.1

2,882,842	4/1959	Royer	D34/1.1
2,938,476	5/1960	Salmon	D34/1.1
4,469,034	9/1984	Eriksson et al.	110/244
4,548,138	10/1985	Korenberg	110/244

Primary Examiner—Kay H. Chin
Attorney, Agent, or Firm—Browdy and Neimark

[57] **CLAIM**

The ornamental design for an incinerator, as shown and described.

DESCRIPTION

FIG. 1 is a front elevational view of an incinerator showing my new design;
FIG. 2 is a rear elevational view thereof;
FIG. 3 is a left side elevational view thereof;
FIG. 4 is a right side elevational view thereof;
FIG. 5 is a top plan view thereof;
FIG. 6 is a bottom plan view thereof;
FIG. 7 is a top and front perspective view thereof; and,
FIG. 8 is a top and rear perspective view thereof.

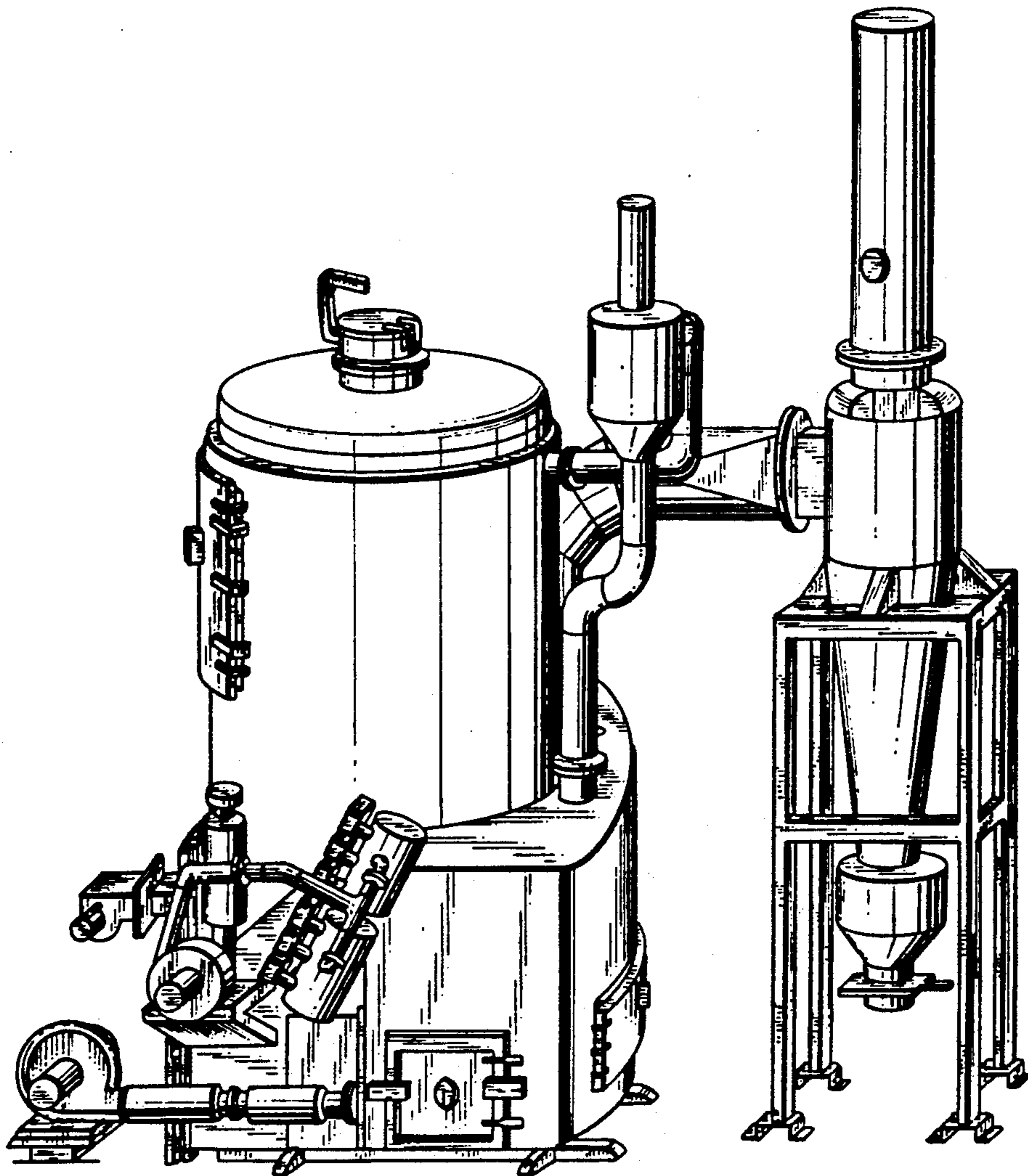


FIG. 3

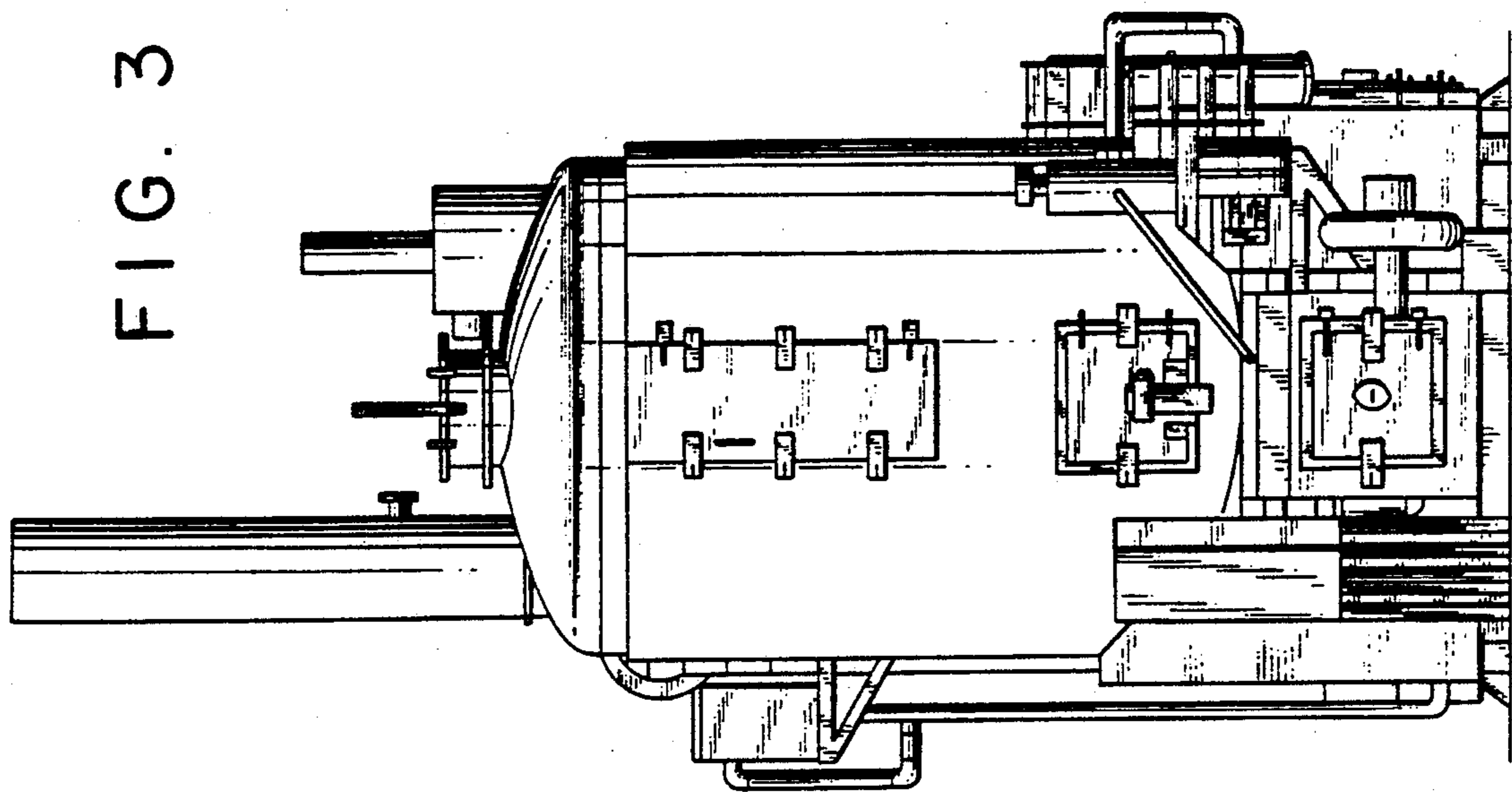


FIG. 1

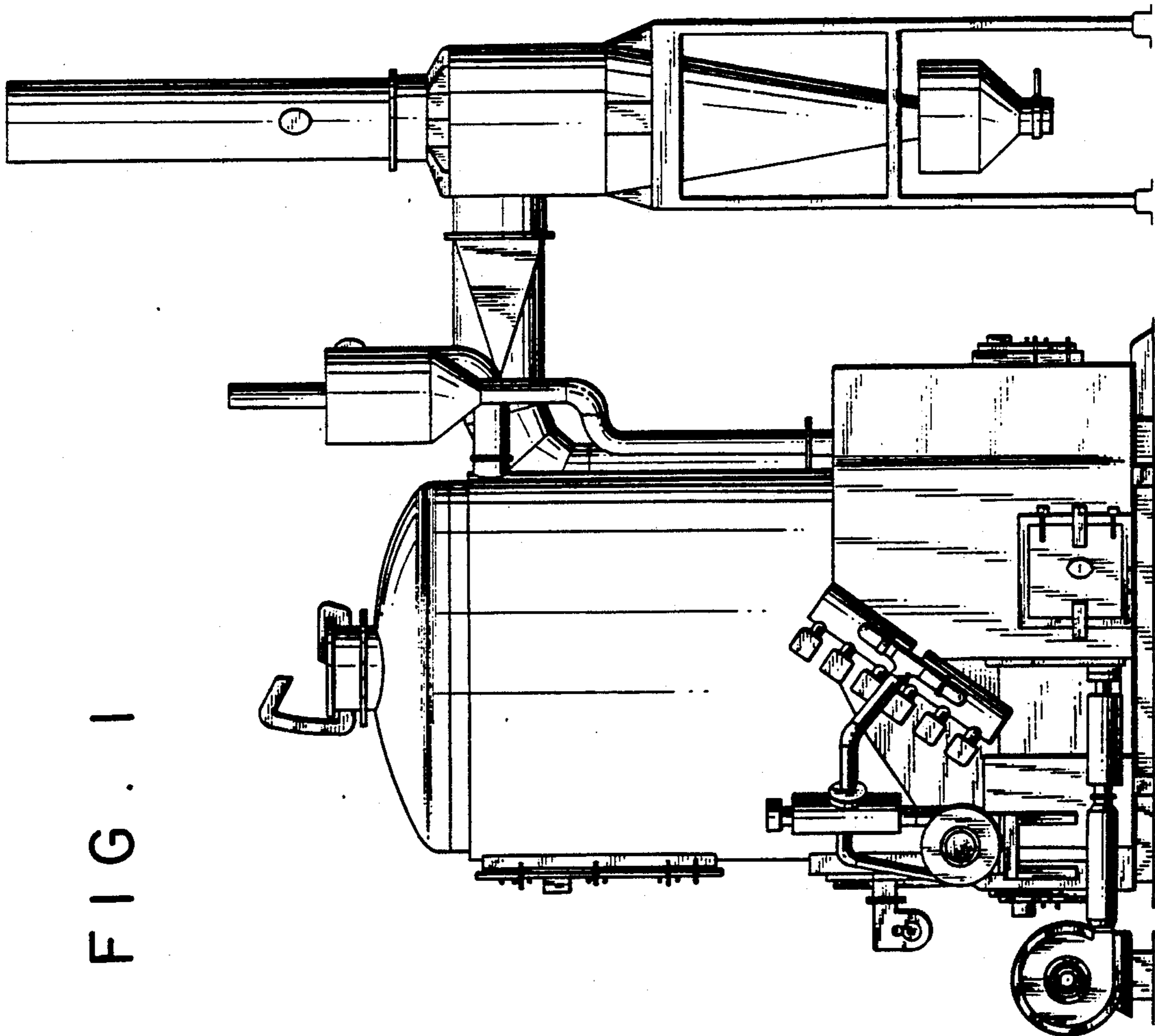


FIG. 4

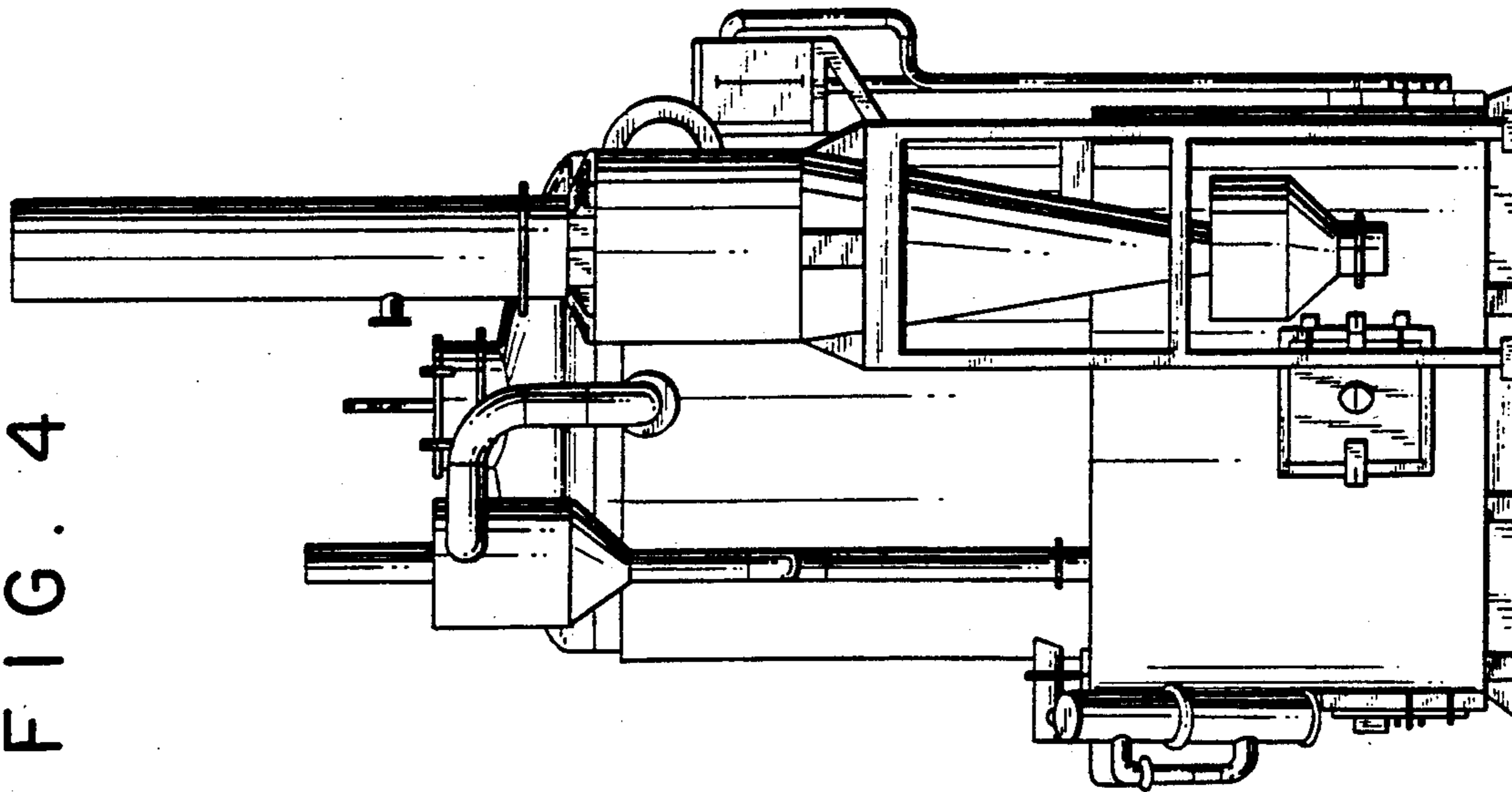


FIG. 2

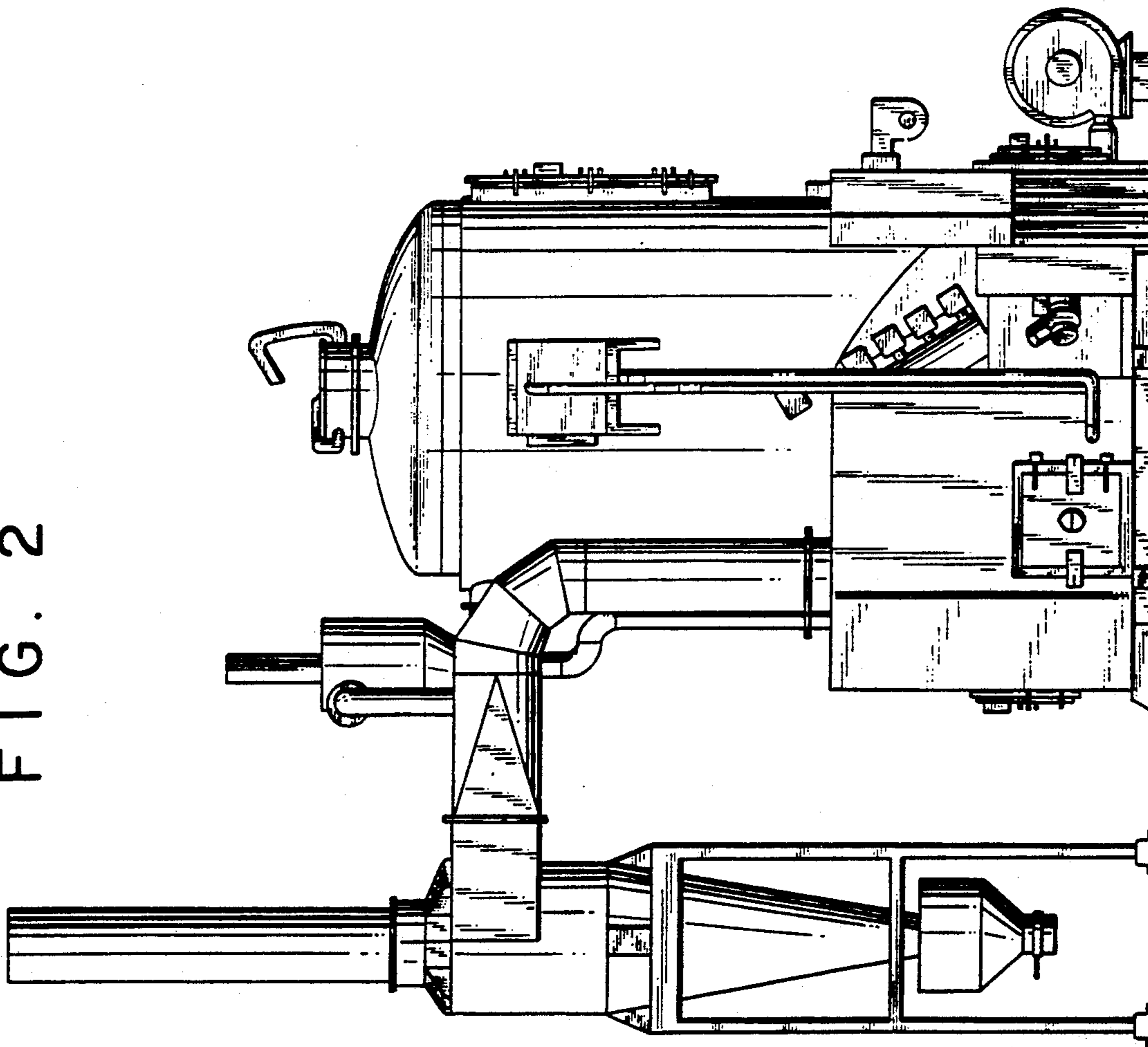


FIG. 5

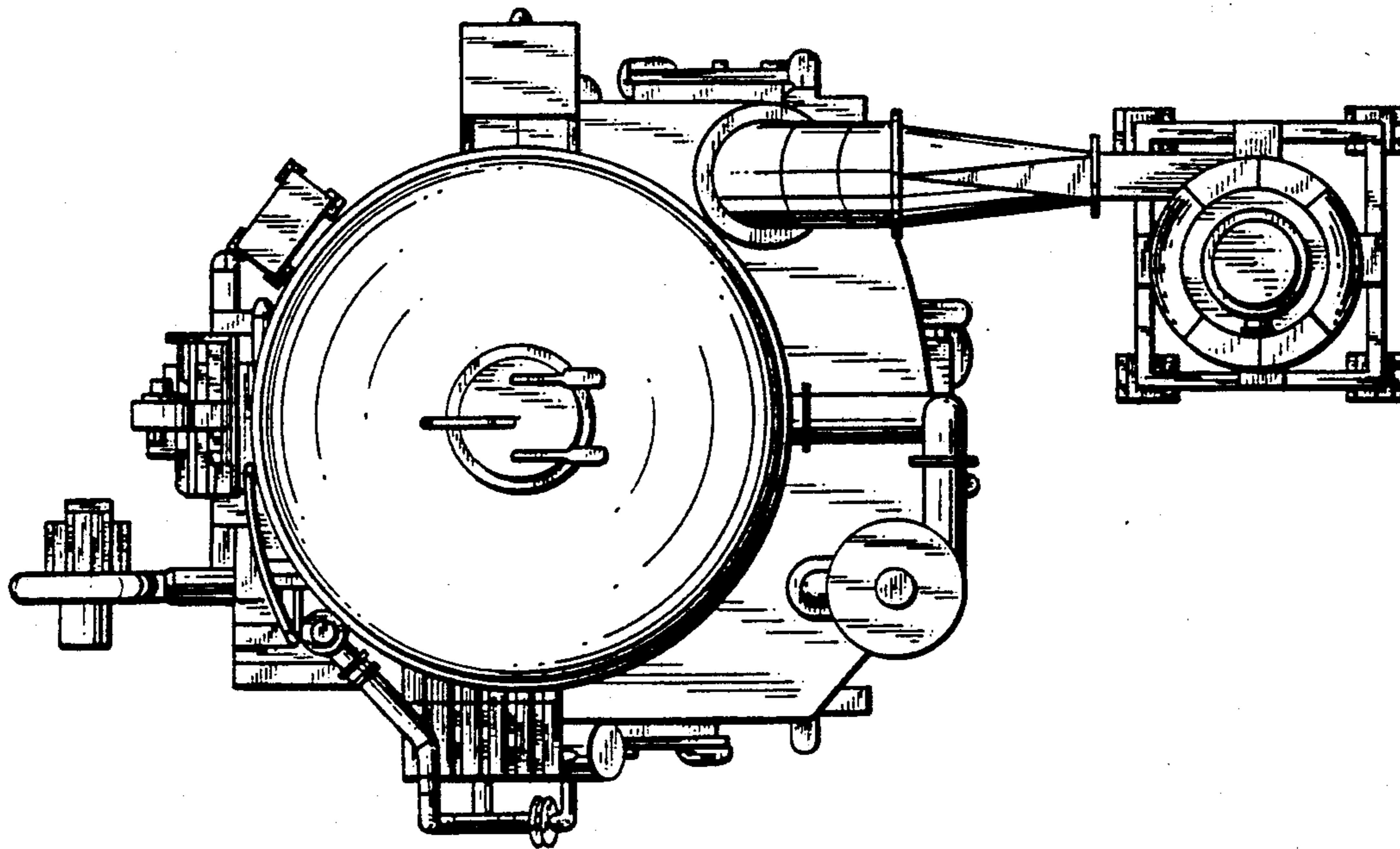


FIG. 6

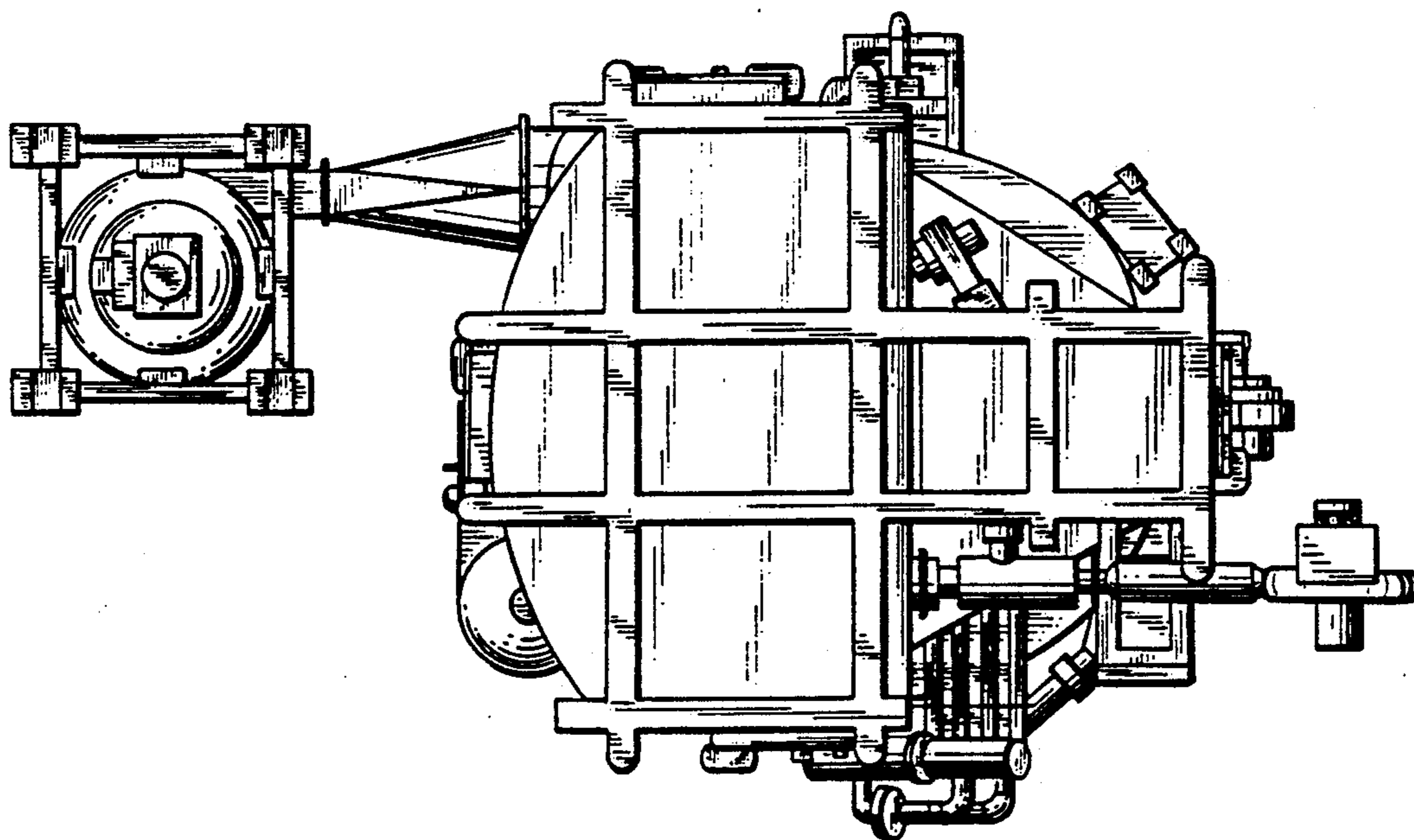


FIG. 8

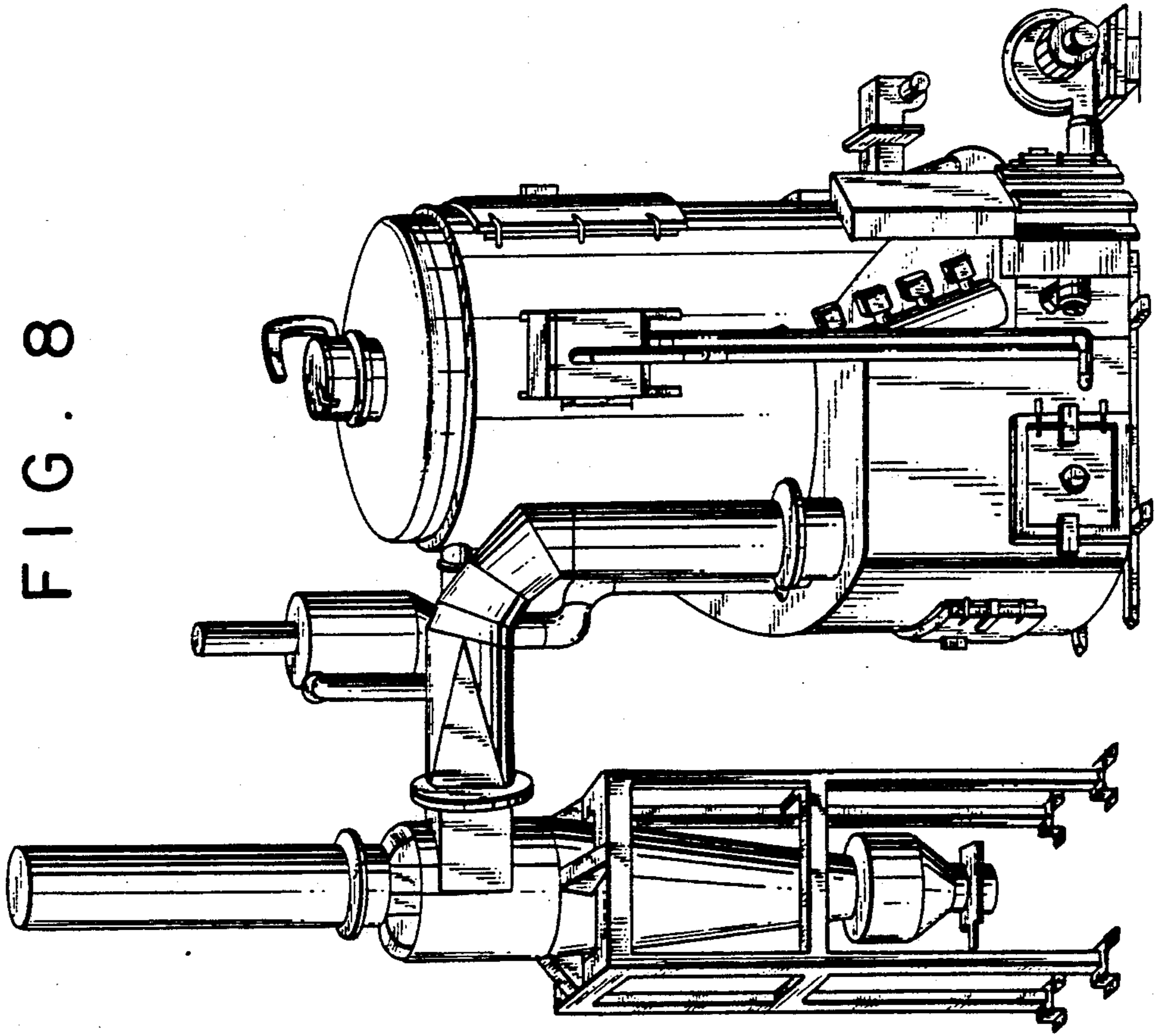


FIG. 7

