



US00D325799S

United States Patent [19]

Chen

[11] Patent Number: **Des. 325,799**

[45] Date of Patent: **** Apr. 28, 1992**

[54] **MECHANICS CREEPER**

[76] Inventor: **Ming J. Chen**, P.O. Box 19-252,
Taipei, Taiwan

[**] Term: **14 Years**

[21] Appl. No.: **462,150**

[22] Filed: **Jan. 8, 1990**

[52] U.S. Cl. **D34/23**

[58] Field of Search **D34/23, 17; 280/32.6,
280/32.5, 79.11**

[56] **References Cited**

U.S. PATENT DOCUMENTS

- D. 230,971 3/1974 Shanklin D34/23
- D. 242,909 1/1977 Miller D34/23
- D. 270,962 10/1983 Martell D34/23
- D. 299,076 12/1988 Whiteside D34/23

D. 301,791 6/1989 Osborne D34/23

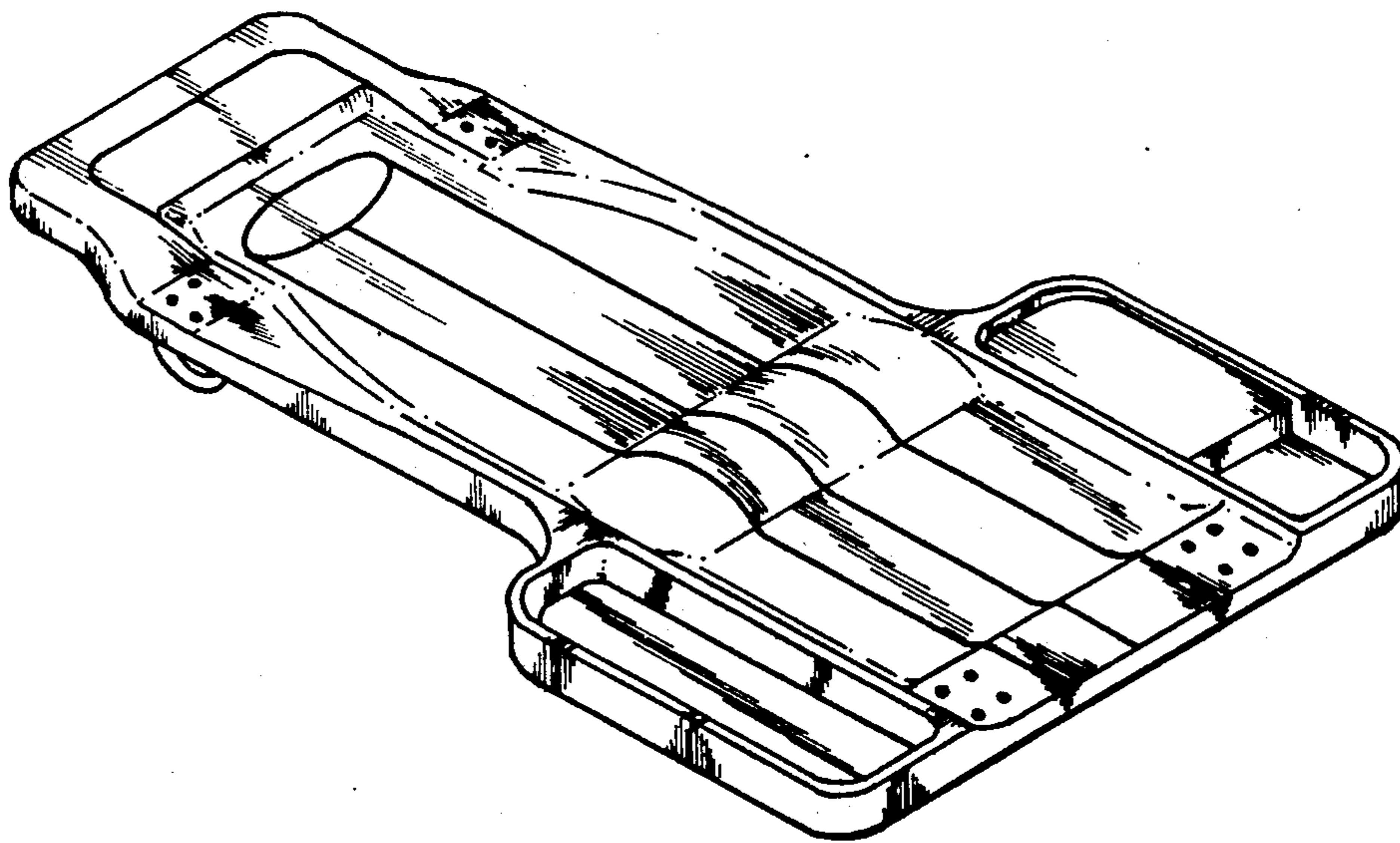
Primary Examiner—**Kay H. Chin**

[57] **CLAIM**

The ornamental design for a mechanic's creeper, as shown and described.

DESCRIPTION

FIG. 1 is a top perspective view of a mechanic's creeper showing my new design;
 FIG. 2 is a top plan view thereof;
 FIG. 3 is a side elevational view thereof, the opposite side view being a mirror image of that shown;
 FIG. 4 is a rear elevational view thereof;
 FIG. 5 is a front elevational view thereof;
 FIG. 6 is a bottom plan view thereof; and,
 FIG. 7 is a top perspective view of a second embodiment of the mechanic's creeper, the bottom is flat unornamented.



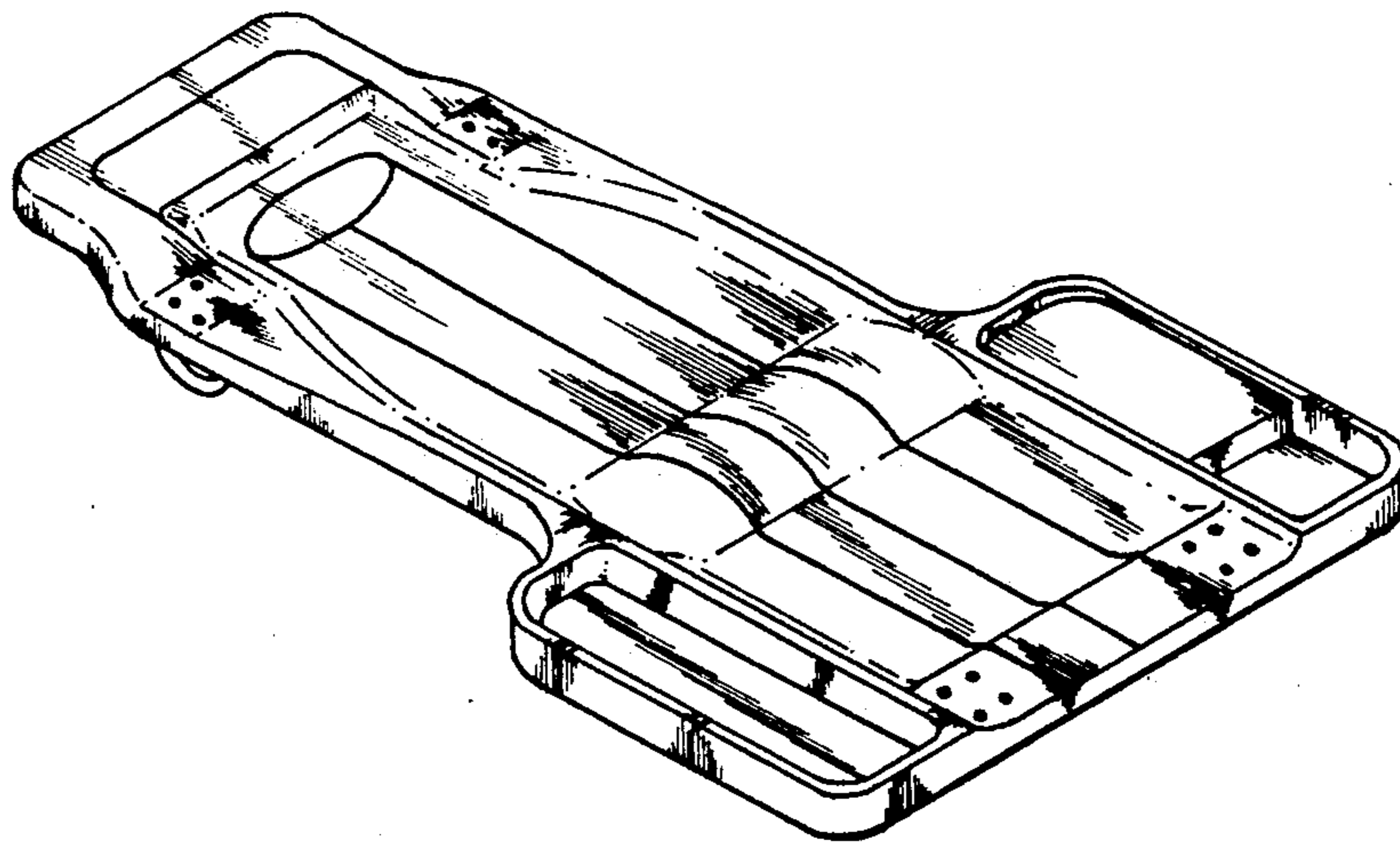


FIG 1

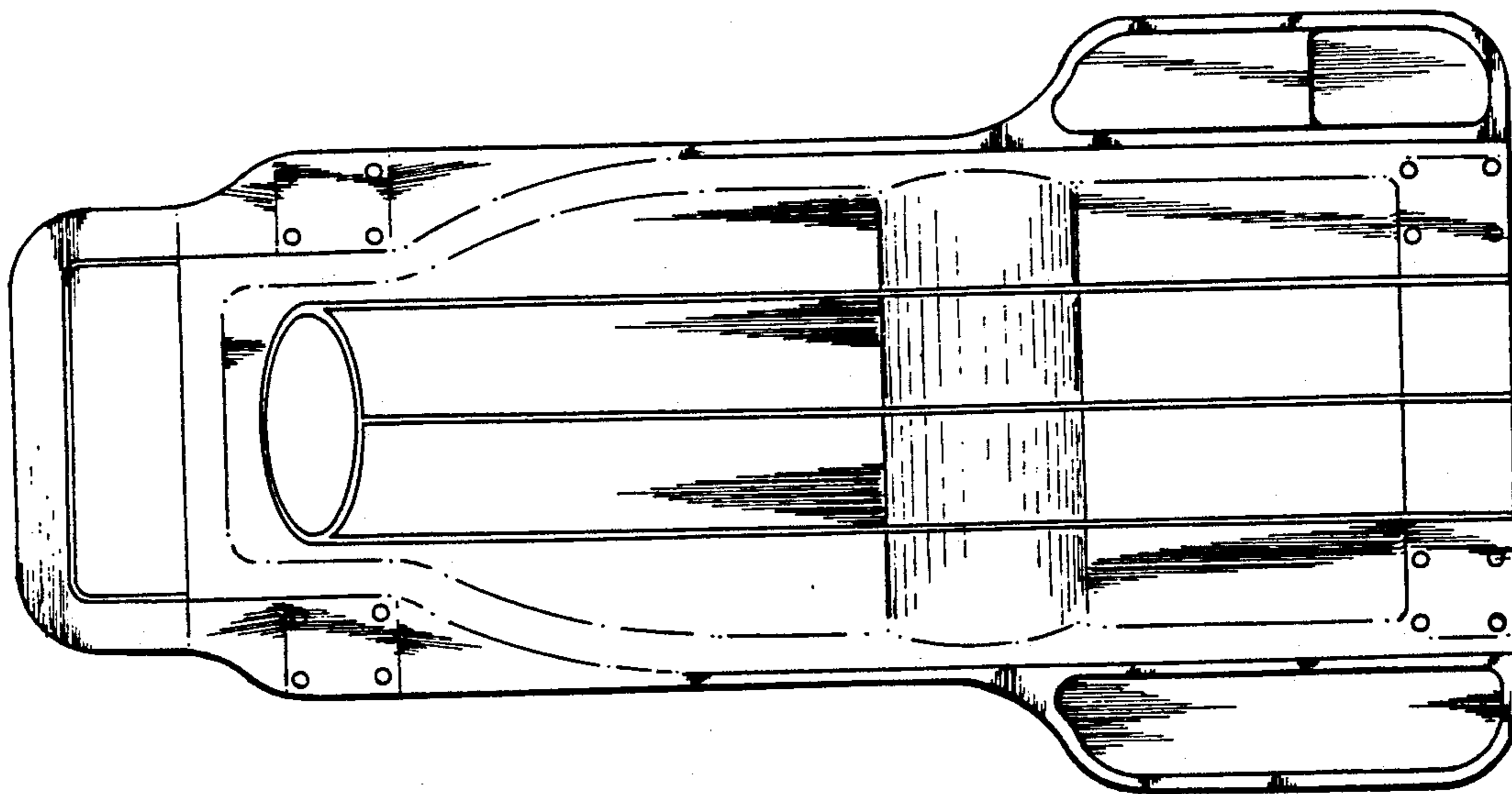


FIG 2

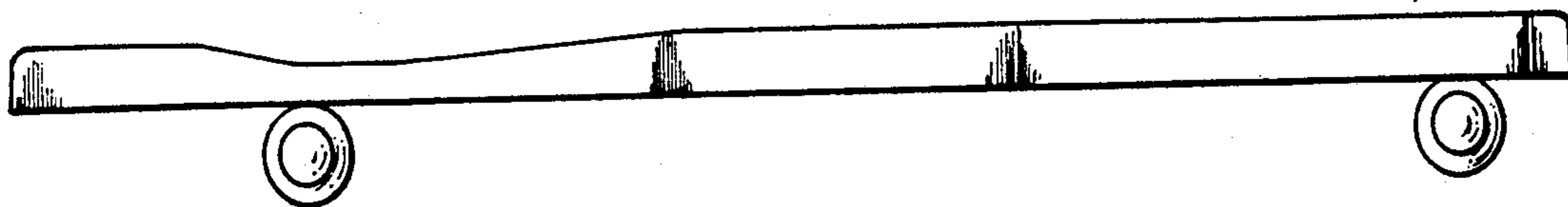


FIG 3



FIG 4



FIG 5

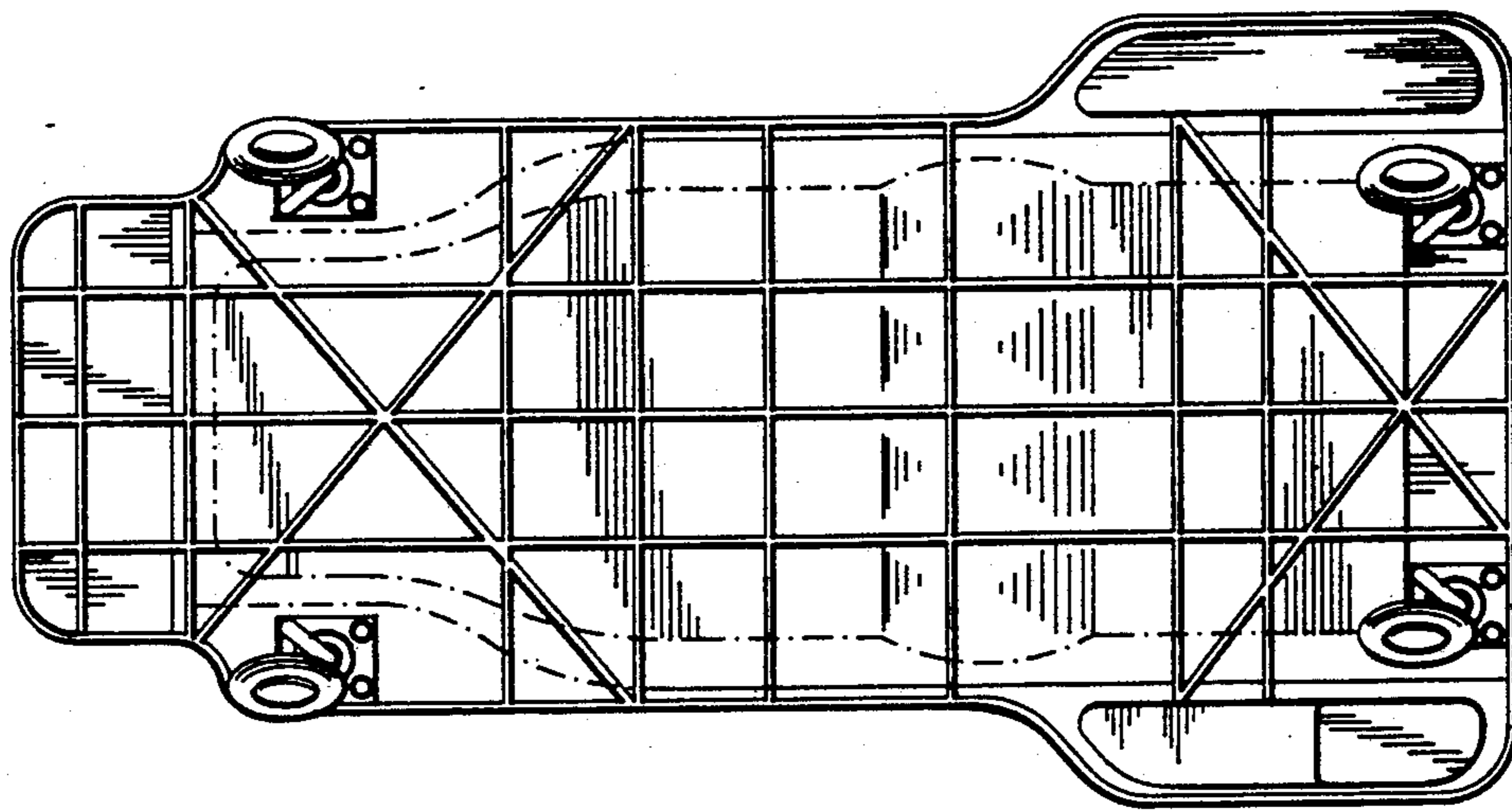


FIG 6

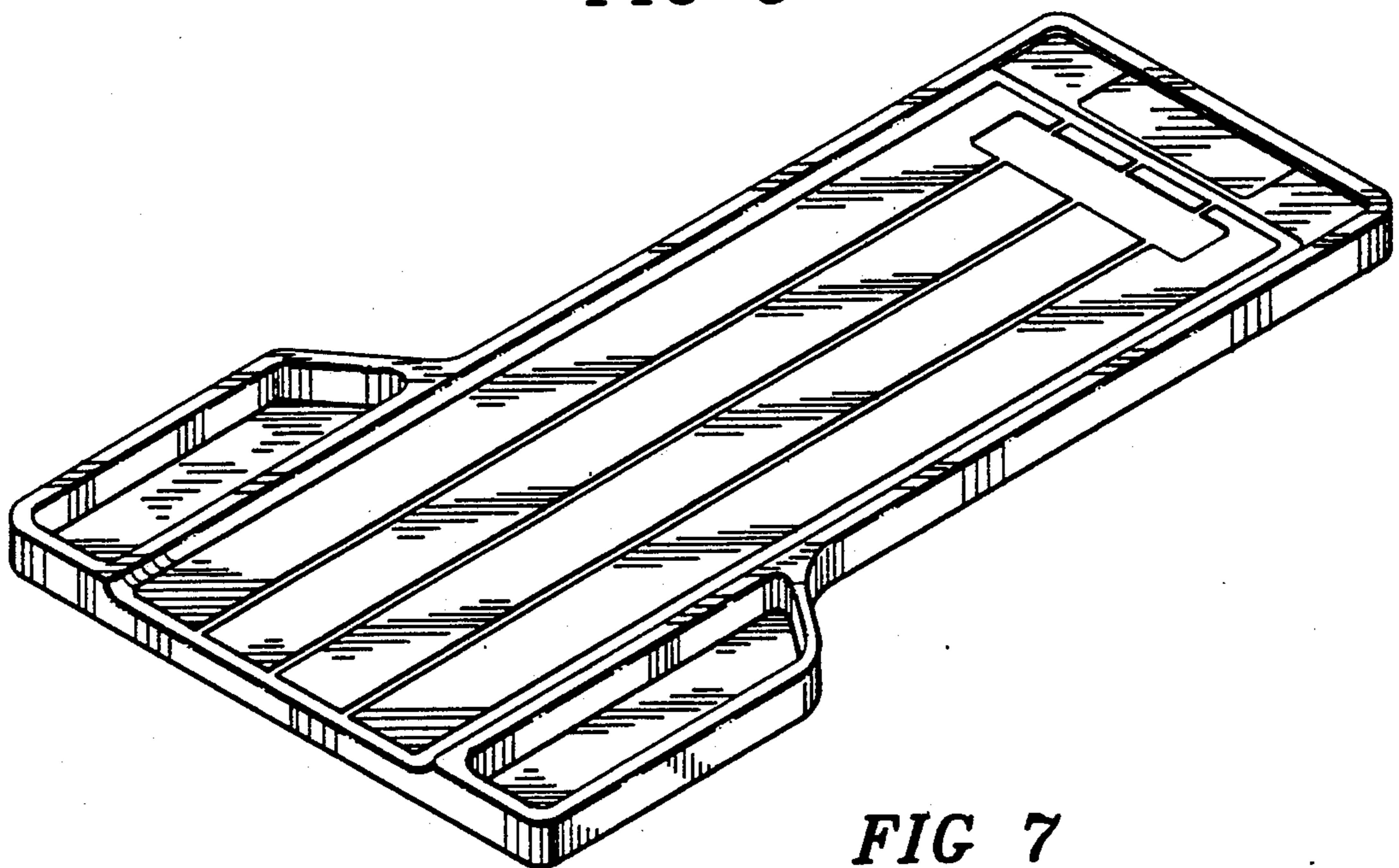


FIG 7