



US00D325798S

United States Patent [19]

[11] Patent Number: **Des. 325,798**

Montrose et al.

[45] Date of Patent: **** Apr. 28, 1992**

[54] **RACK FOR DISPOSABLE TRASH BAG**

4,921,193 5/1990 Benesch 248/97

[76] Inventors: **David Montrose**, 6614 N. Whipple, Chicago, Ill. 60645; **Gregory K. Pranski**, 2647 N. Troy, Chicago, Ill. 60647

OTHER PUBLICATIONS

How To Make PVC Pipe Furniture ©1985, the Family Workshop, Box C-9, p. 160.

[**] Term: **14 Years**

Primary Examiner—Kay H. Chin
Attorney, Agent, or Firm—Welsh & Katz, Ltd.

[21] Appl. No.: **560,329**

[57] **CLAIM**

[22] Filed: **Jul. 31, 1990**

The ornamental design for a rack for disposable trash bag, as shown and described.

[52] U.S. Cl. **D34/5; D34/6**

[58] Field of Search **D34/1, 5, 6; D6/566; 248/95, 97, 98, 99, 100, 101; 312/211; 220/404, 401**

DESCRIPTION

FIG. 1 is a top and front perspective view of a rack for disposable trash bag showing our new design; **FIG. 2** is a front elevational view thereof; **FIG. 3** is a side elevational view thereof, the opposite side view being a mirror image of that shown; **FIG. 4** is a top plan view thereof; and, **FIG. 5** is a bottom plan view thereof.

[56] **References Cited**

U.S. PATENT DOCUMENTS

- 4,805,857 2/1989 Travis 248/97
- 4,838,504 6/1989 Bitterbinder 248/100
- 4,893,769 1/1990 Rotelli 248/97

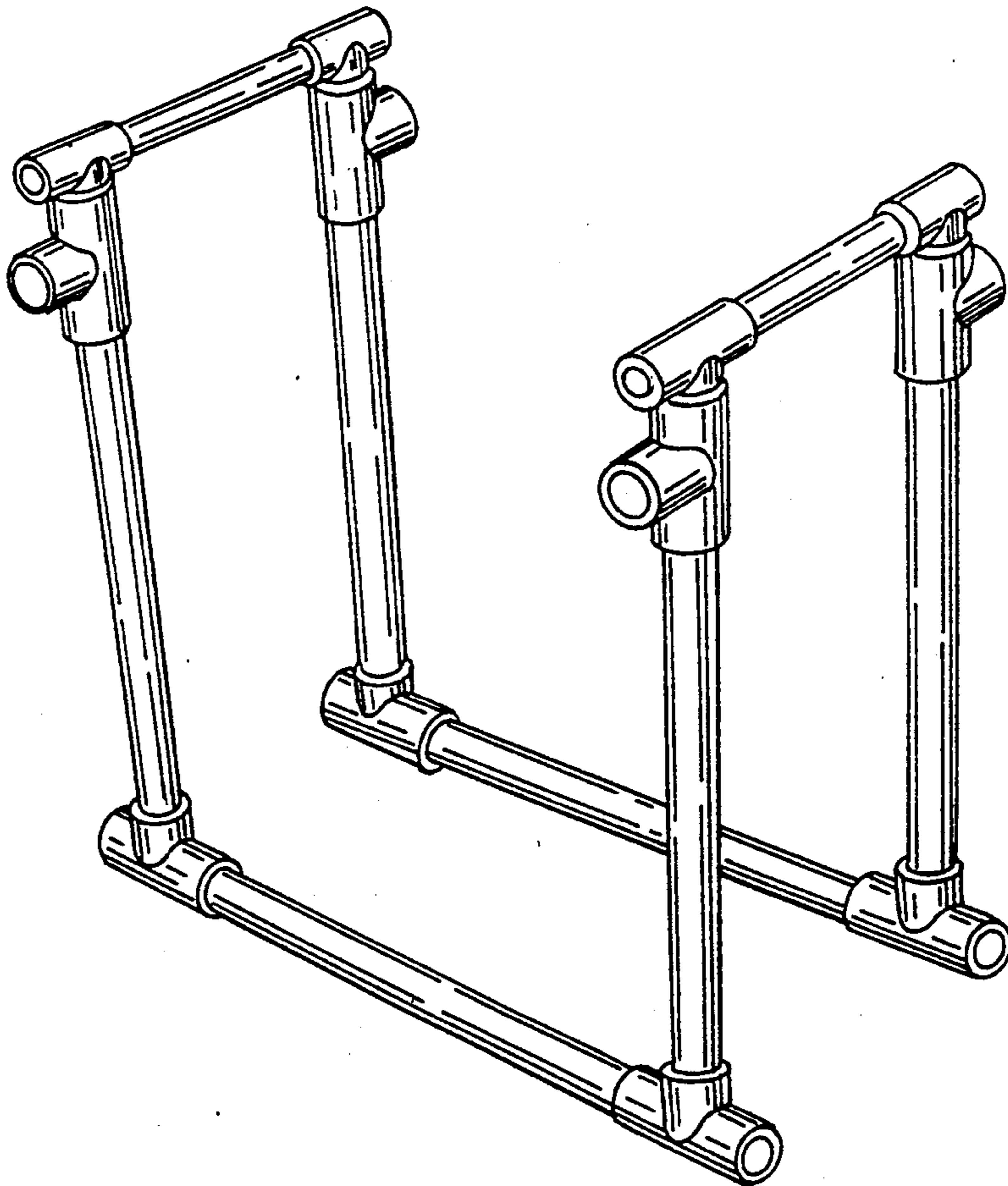


FIG. 1

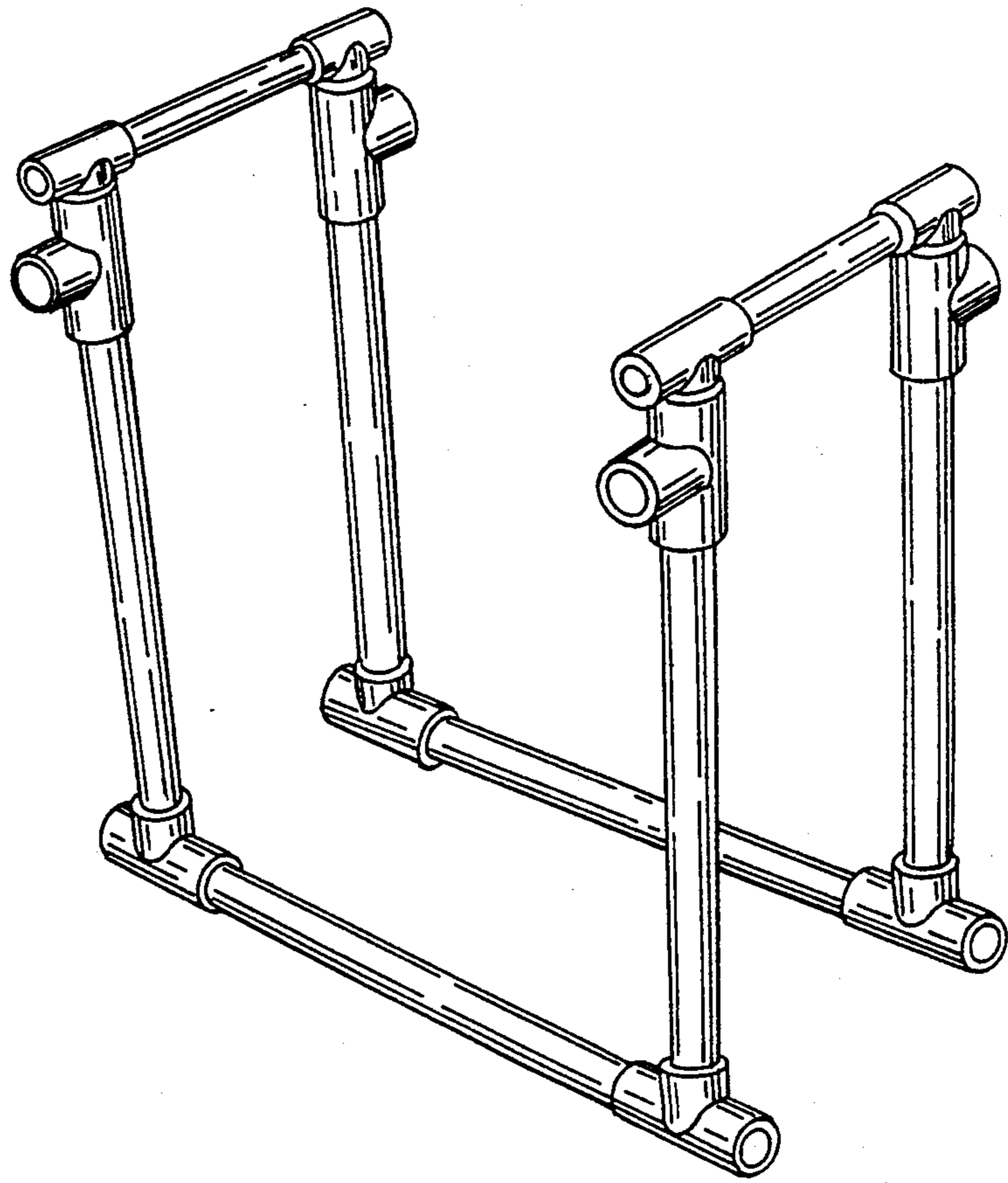


FIG. 2

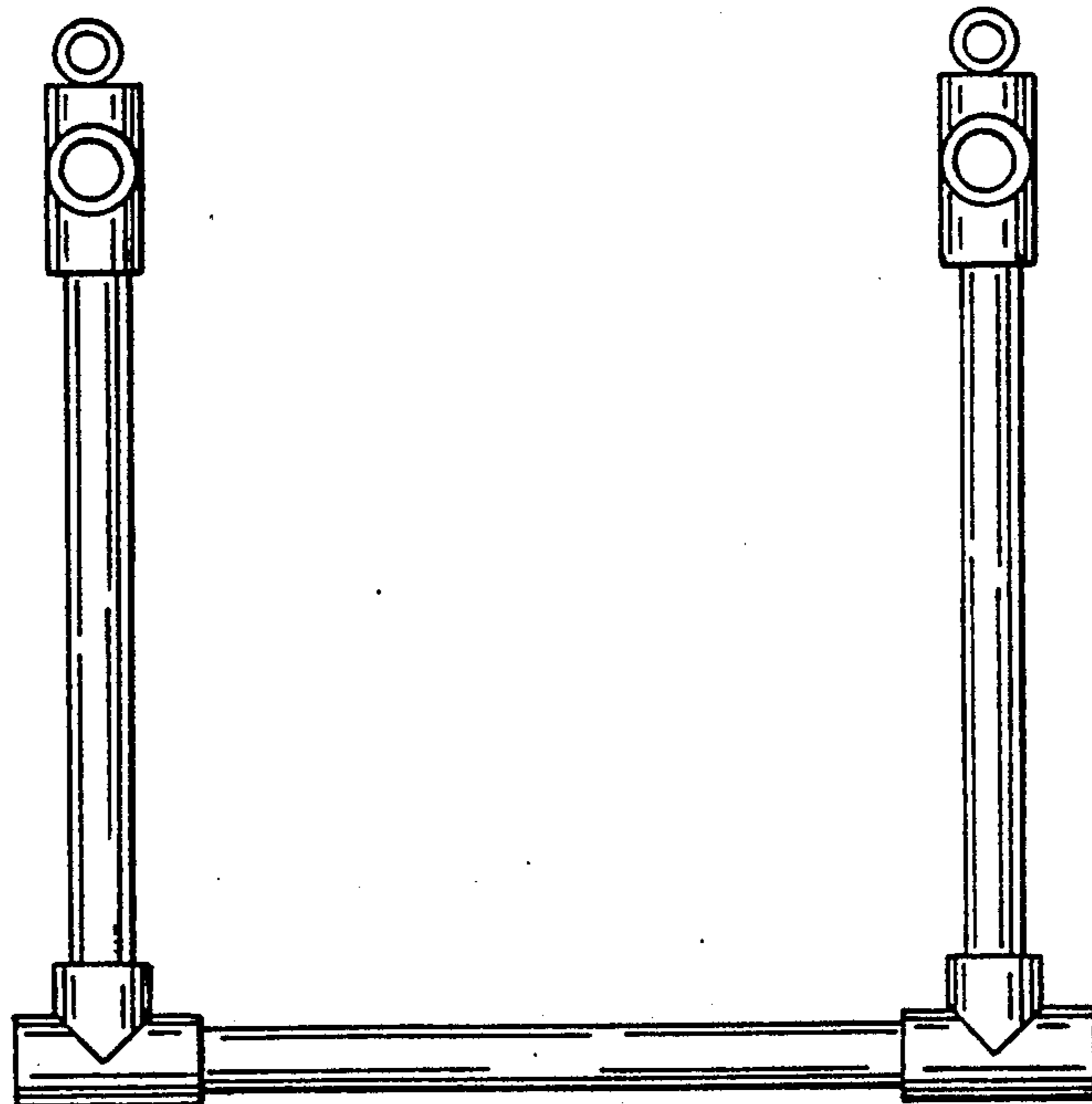


FIG. 3

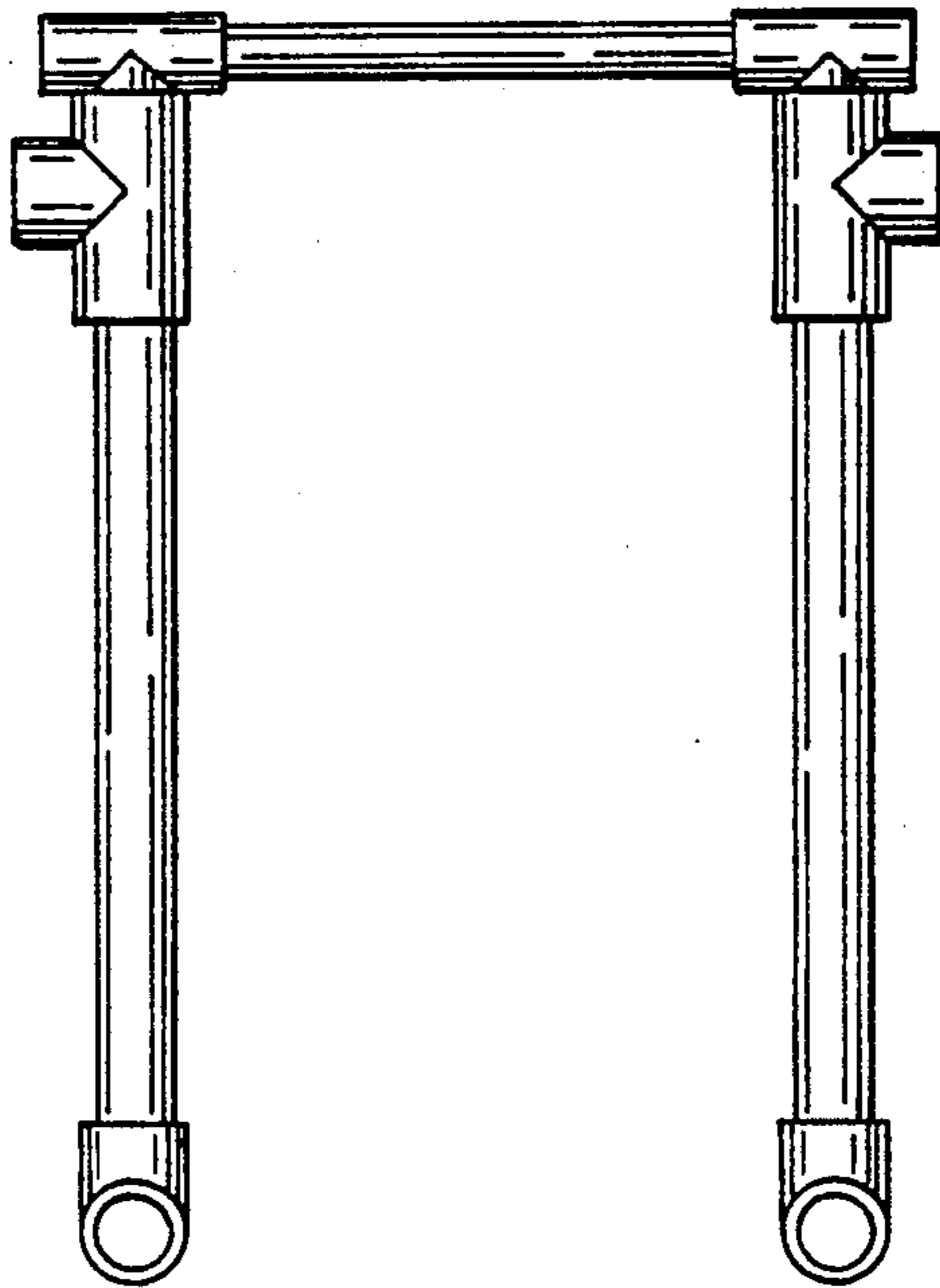


FIG. 4

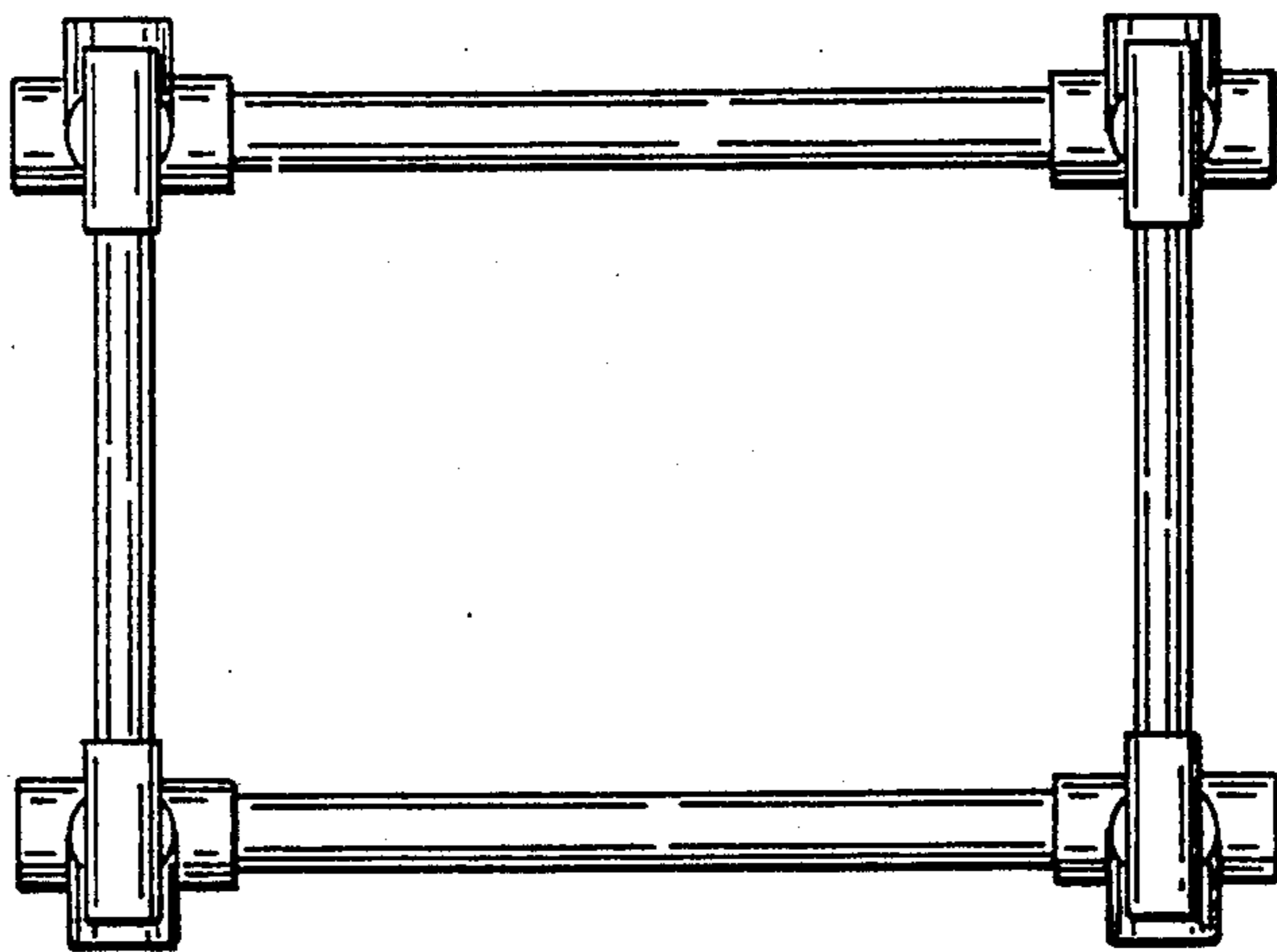


FIG. 5

