



US00D325797S

United States Patent [19]

[11] Patent Number: **Des. 325,797**

Klok

[45] Date of Patent: **** Apr. 28, 1992**

[54] **WATER SUCTION NOZZLE**

[75] Inventor: **Jan Klok, Hoogezand, Netherlands**

[73] Assignee: **U.S. Philips Corporation, New York, N.Y.**

[**] Term: **14 Years**

[21] Appl. No.: **525,433**

[22] Filed: **May 17, 1990**

[30] **Foreign Application Priority Data**

Jan. 17, 1990 [WO] World Int. Prop. O. ... DM/015.620

[52] U.S. Cl. **D32/32**

[58] Field of Search **D32/31-33, D32/25, 22; 15/321-322, 378-402, 415.1, 416-422.1**

[56] **References Cited**

U.S. PATENT DOCUMENTS

D. 220,971 6/1971 Jones D32/32

D. 239,591	4/1976	Goodman	D32/33
D. 257,255	10/1980	Robinson	D32/33
D. 257,256	10/1980	Robinson	D32/33
D. 263,236	3/1982	Ueda	D32/32
D. 312,338	11/1990	Hagstrand	D32/32

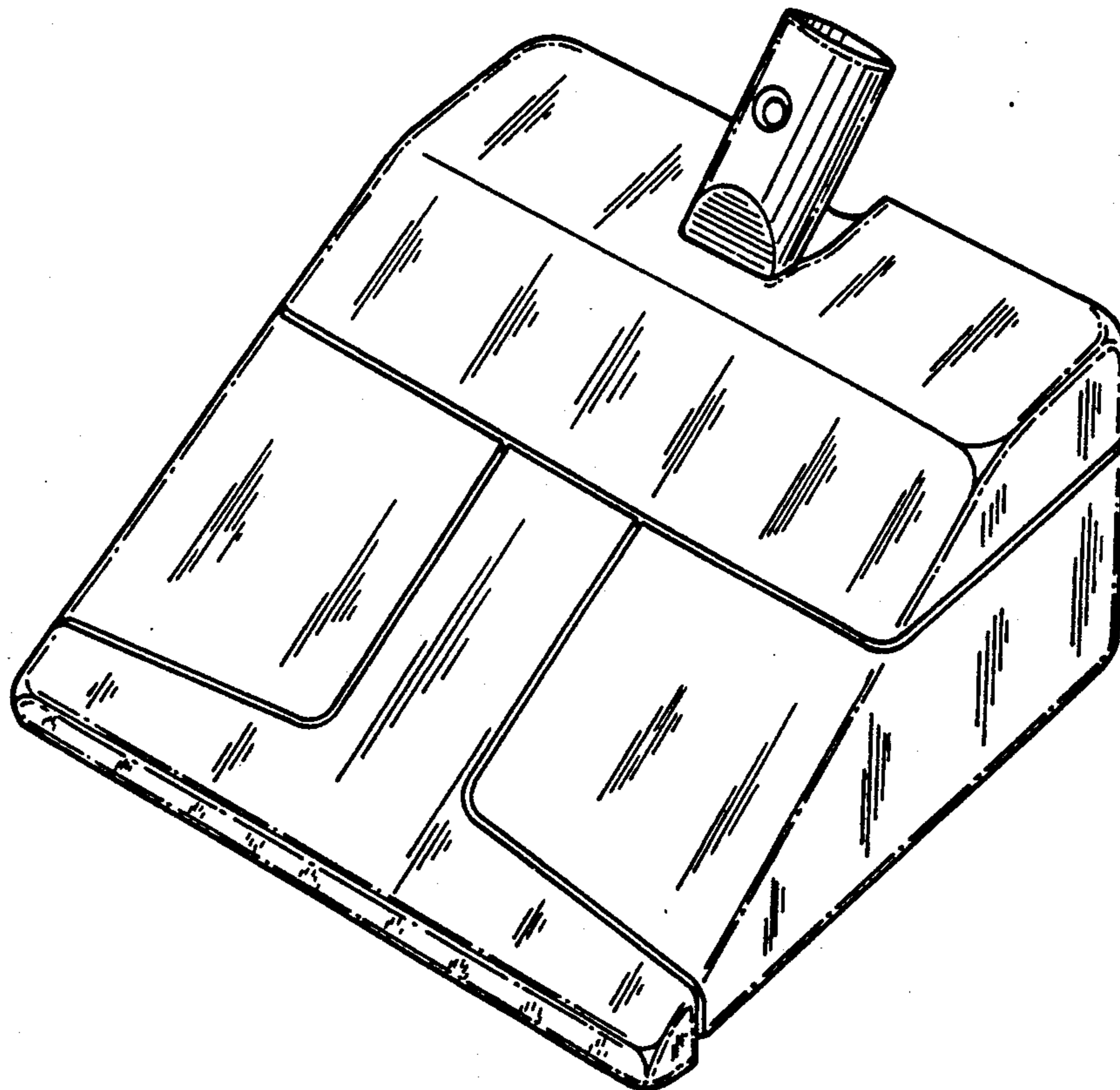
Primary Examiner—A. Hugo Word
Assistant Examiner—Ruth McInroy
Attorney, Agent, or Firm—Jack E. Haken

[57] CLAIM

The ornamental design for a water suction nozzle, as shown.

DESCRIPTION

FIG. 1 is a perspective view of a water suction nozzle showing my new design;
FIG. 2 is a front elevational view thereof;
FIG. 3 is a rear elevational plan view thereof;
FIG. 4 is a left side elevational view thereof;
FIG. 5 is a right side elevational view thereof;
FIG. 6 is a top plan view thereof; and,
FIG. 7 is a bottom plan view thereof.



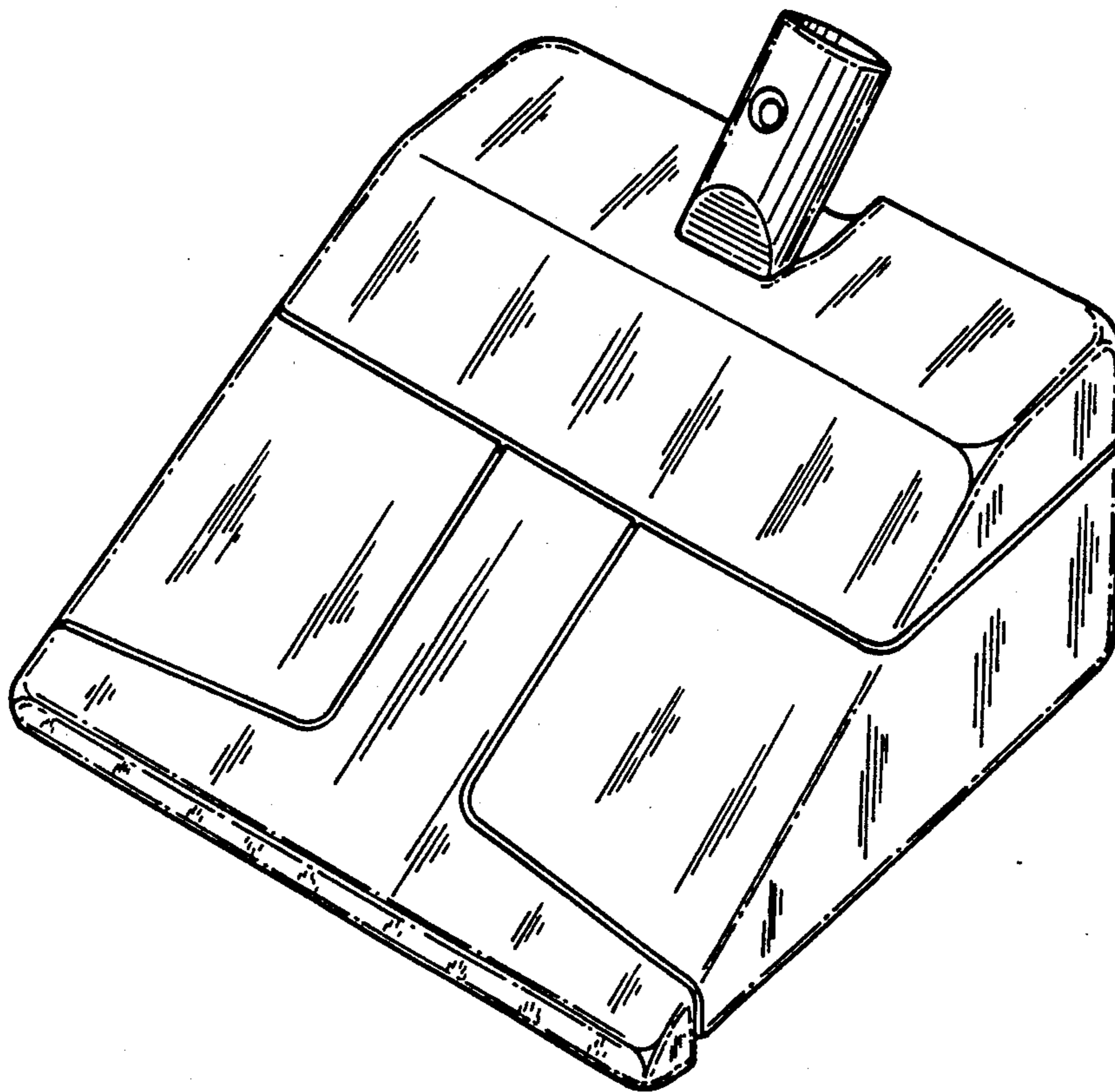


FIG. 1

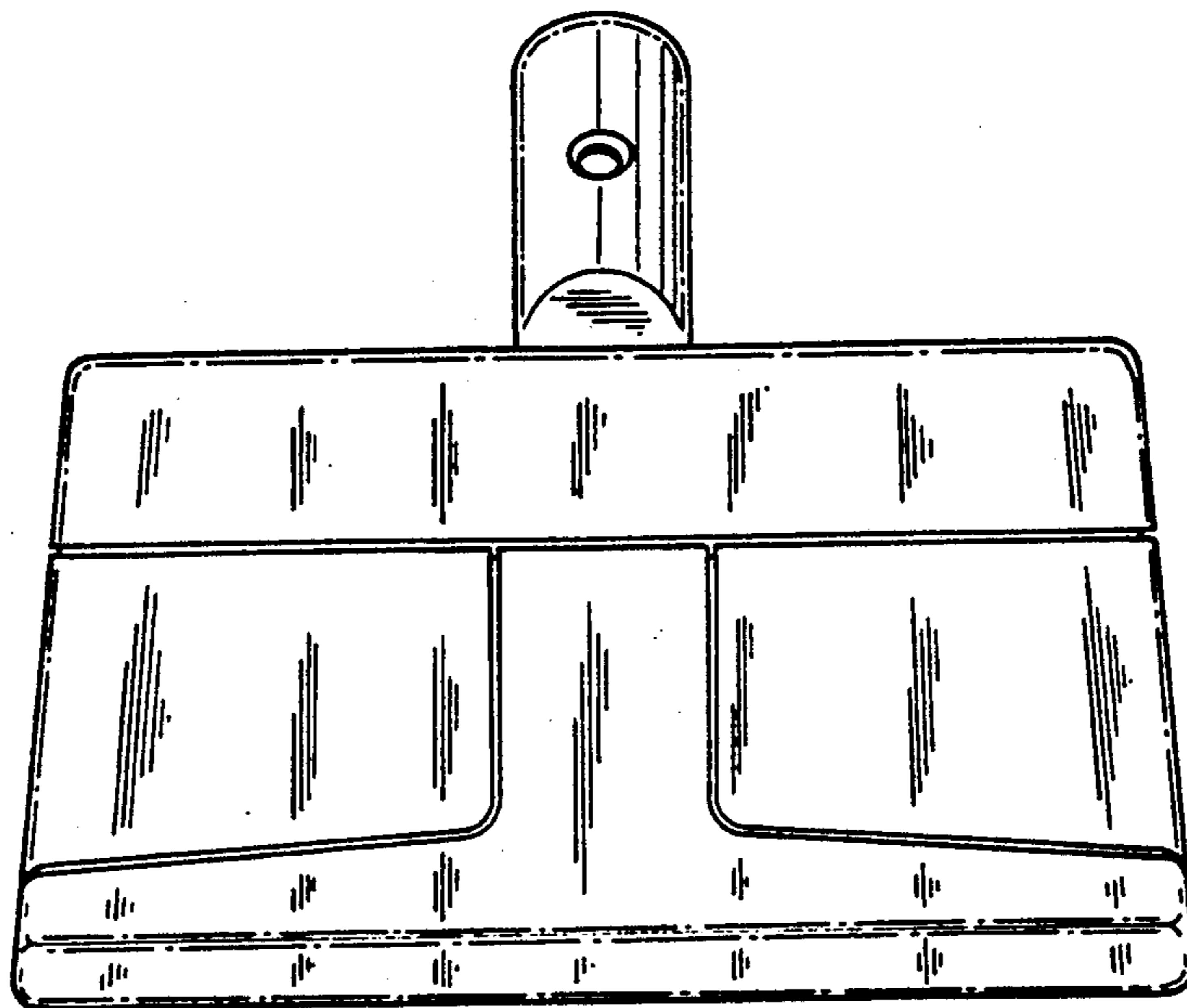


FIG. 2

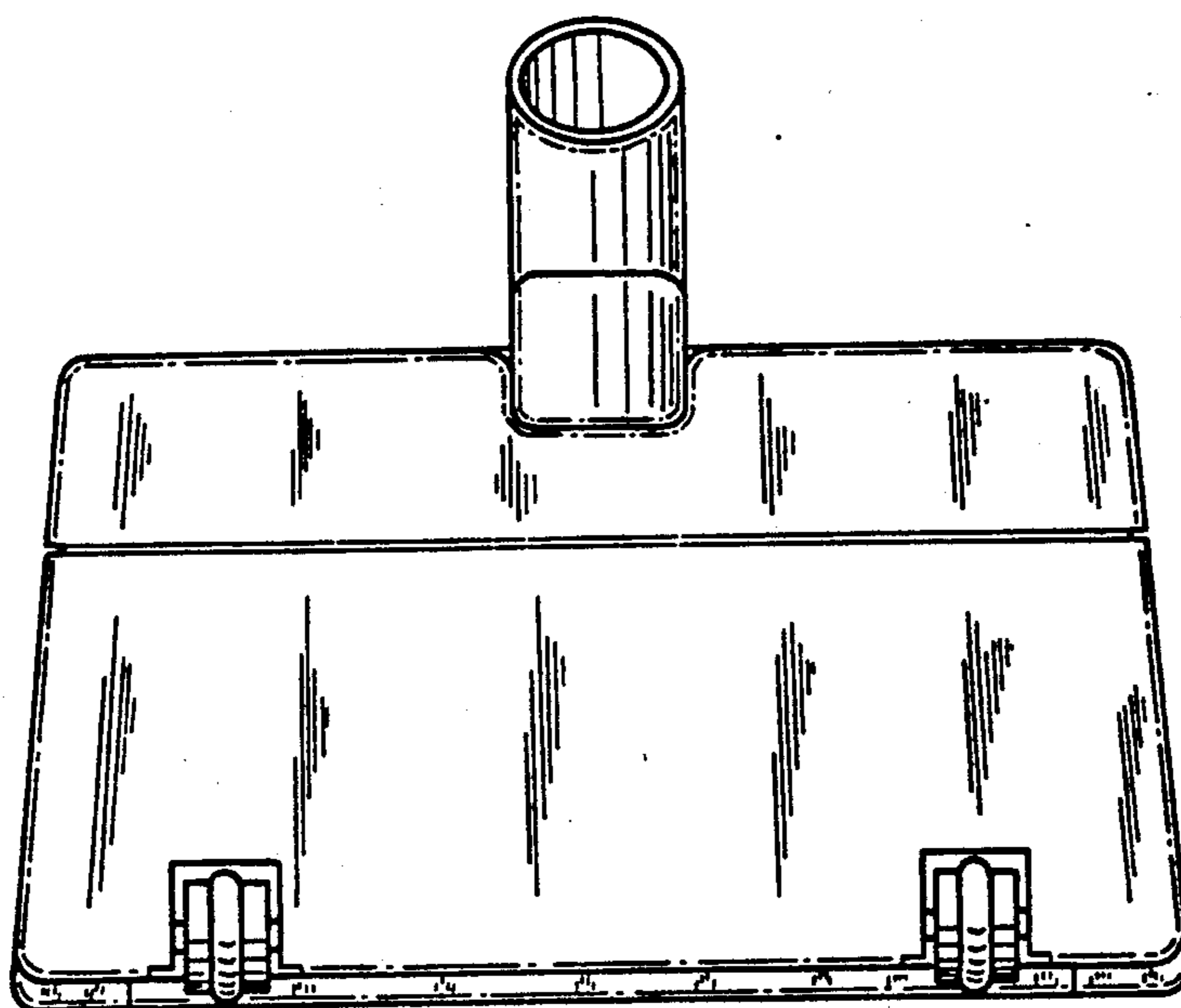


FIG. 3

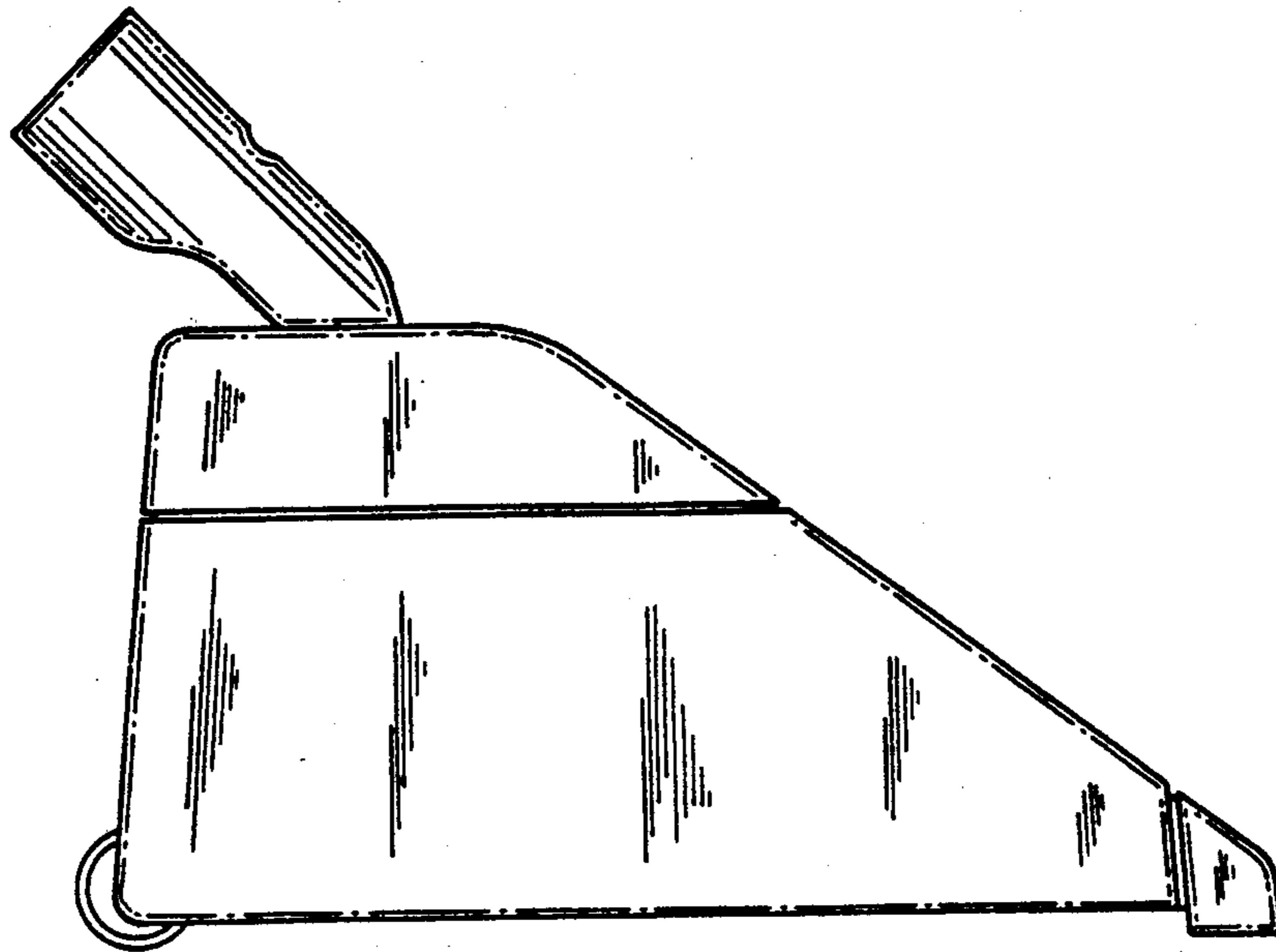


FIG. 4

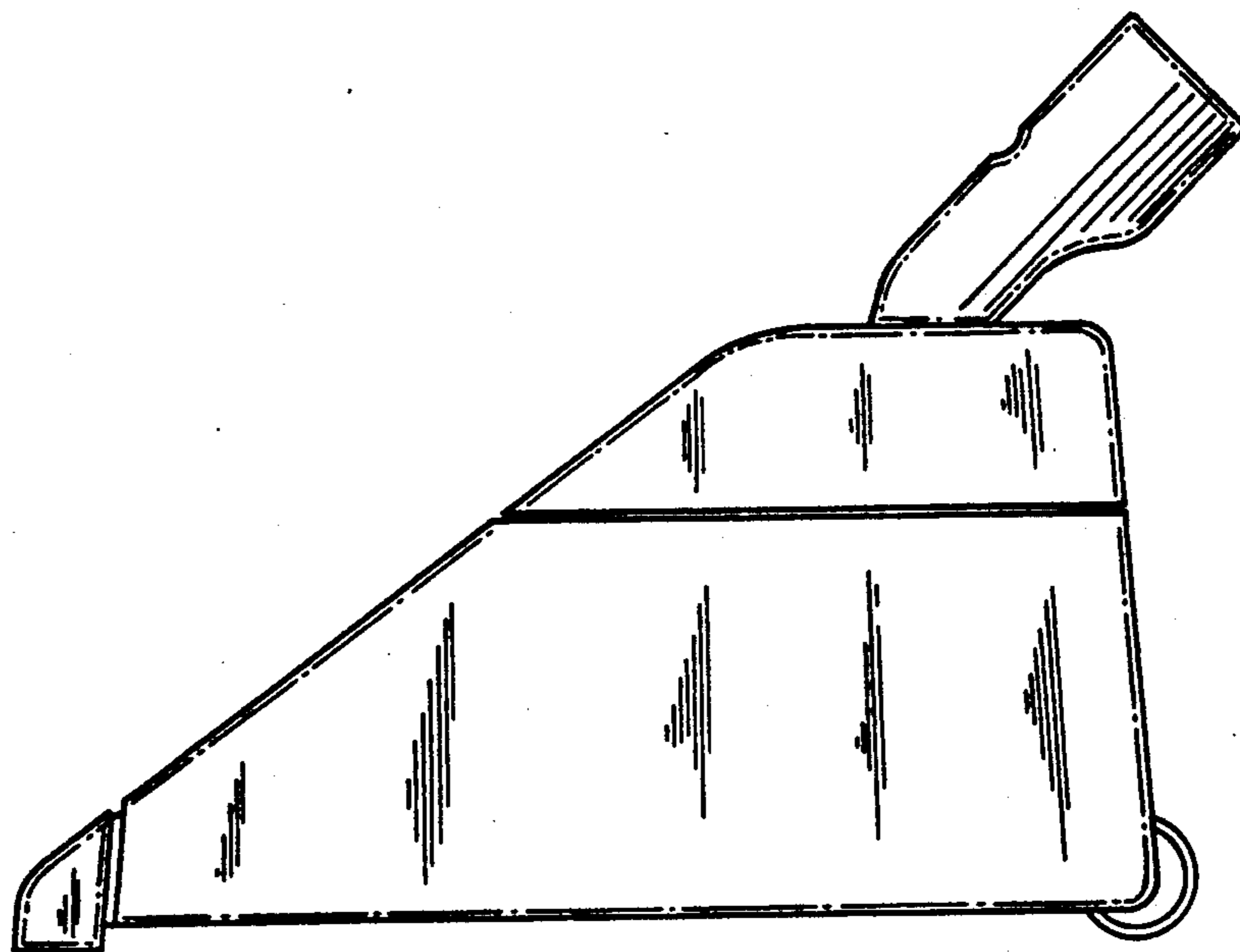


FIG. 5

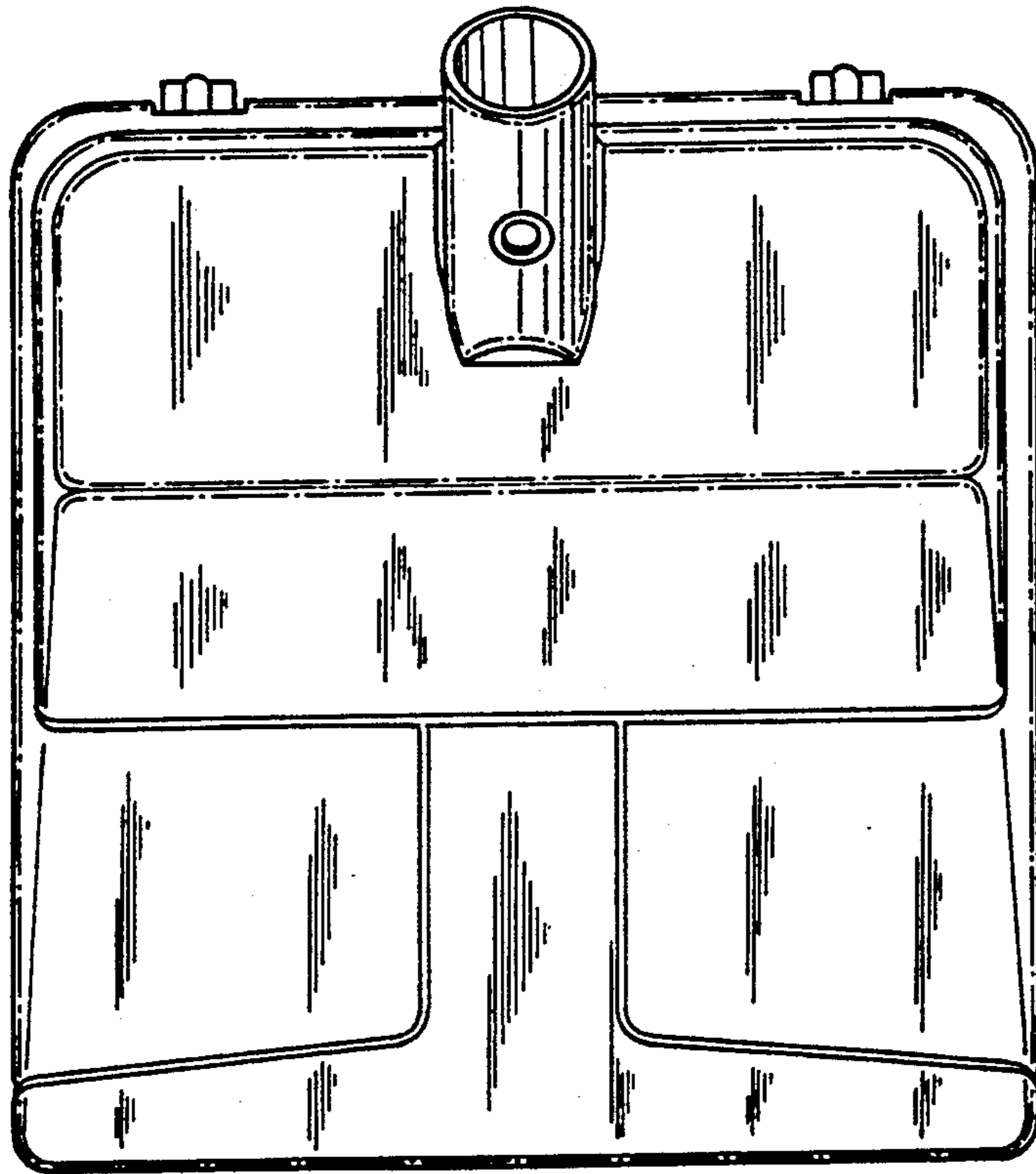


FIG. 6

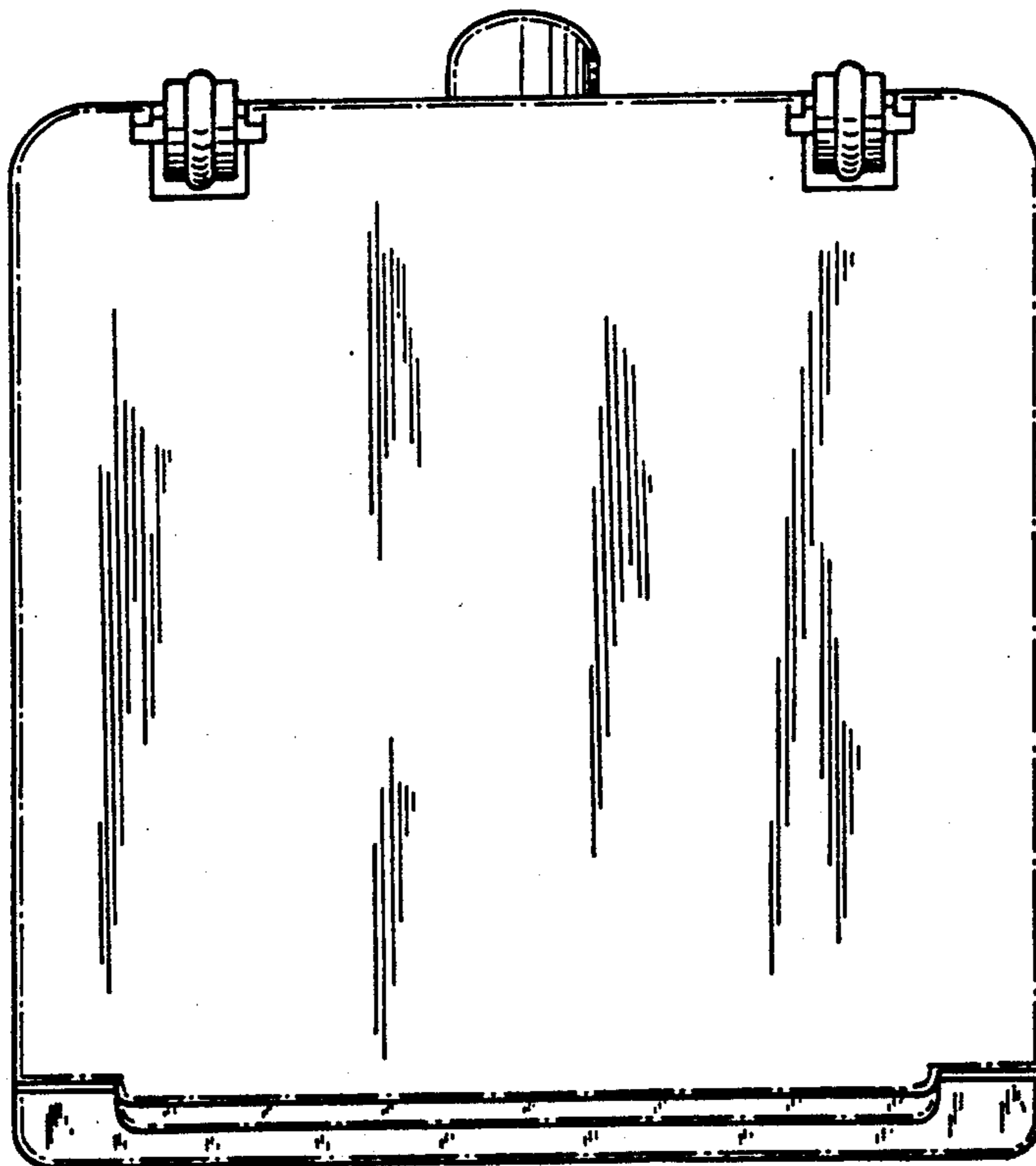


FIG. 7