



US00D325789S

# United States Patent [19]

[11] Patent Number: **Des. 325,789**

Atkinson

[45] Date of Patent: **\*\* Apr. 28, 1992**

[54] **LIGHTING FIXTURE**

[75] Inventor: **Paul E. Atkinson, Leicester, Great Britain**

[73] Assignee: **GTE Rotaflex Limited, London, England**

[\*\*] Term: **14 Years**

[21] Appl. No.: **560,326**

[22] Filed: **Jul. 31, 1990**

[30] **Foreign Application Priority Data**

Feb. 5, 1990 [GB] United Kingdom ..... 2004473

[52] U.S. Cl. .... **D26/63**

[58] Field of Search ..... D26/61, 63, 65; 362/147, 404, 362, 267, 275, 285, 418, 419, 427

[56] **References Cited**

**U.S. PATENT DOCUMENTS**

- D. 104,401 5/1937 Kanter ..... D26/63
- D. 152,806 2/1949 Klein ..... D26/63
- D. 208,877 10/1967 Macleod, Jr. et al. .... D26/63
- D. 315,964 4/1991 Joosten et al. .... D26/63

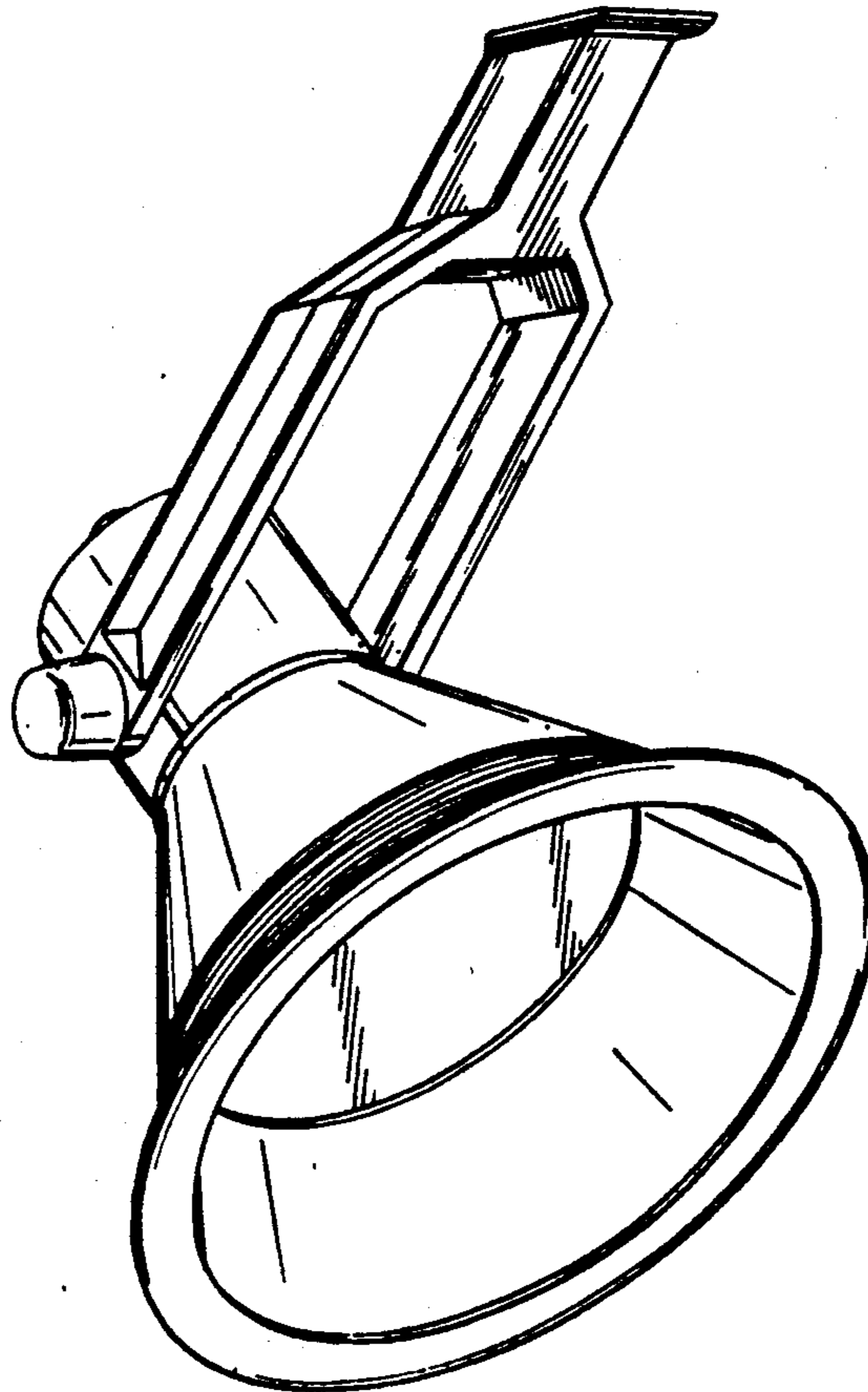
*Primary Examiner*—Susan J. Lucas  
*Attorney, Agent, or Firm*—Watson, Cole, Grindle & Watson

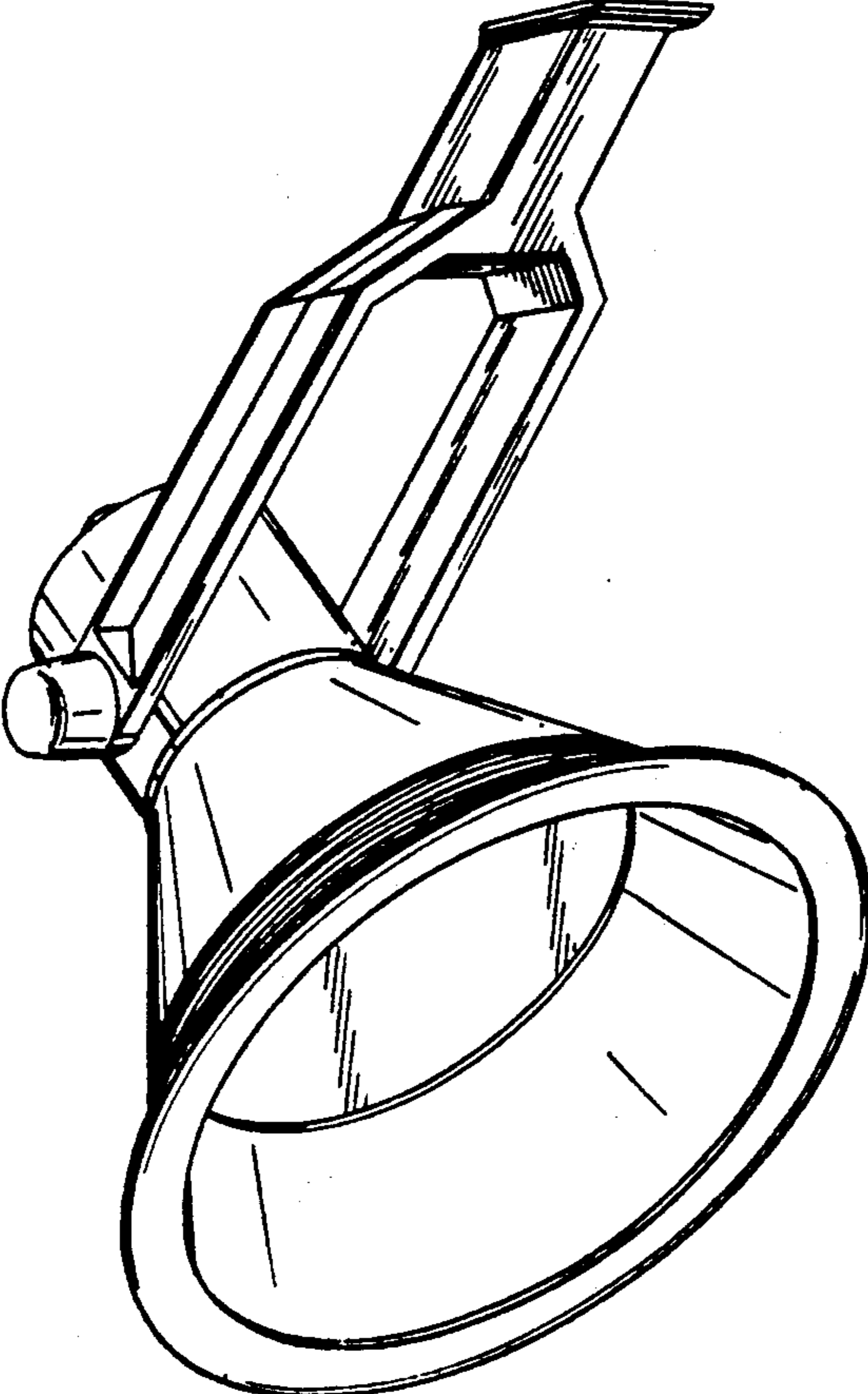
[57] **CLAIM**

The ornamental design for a lighting fixture, as shown and described.

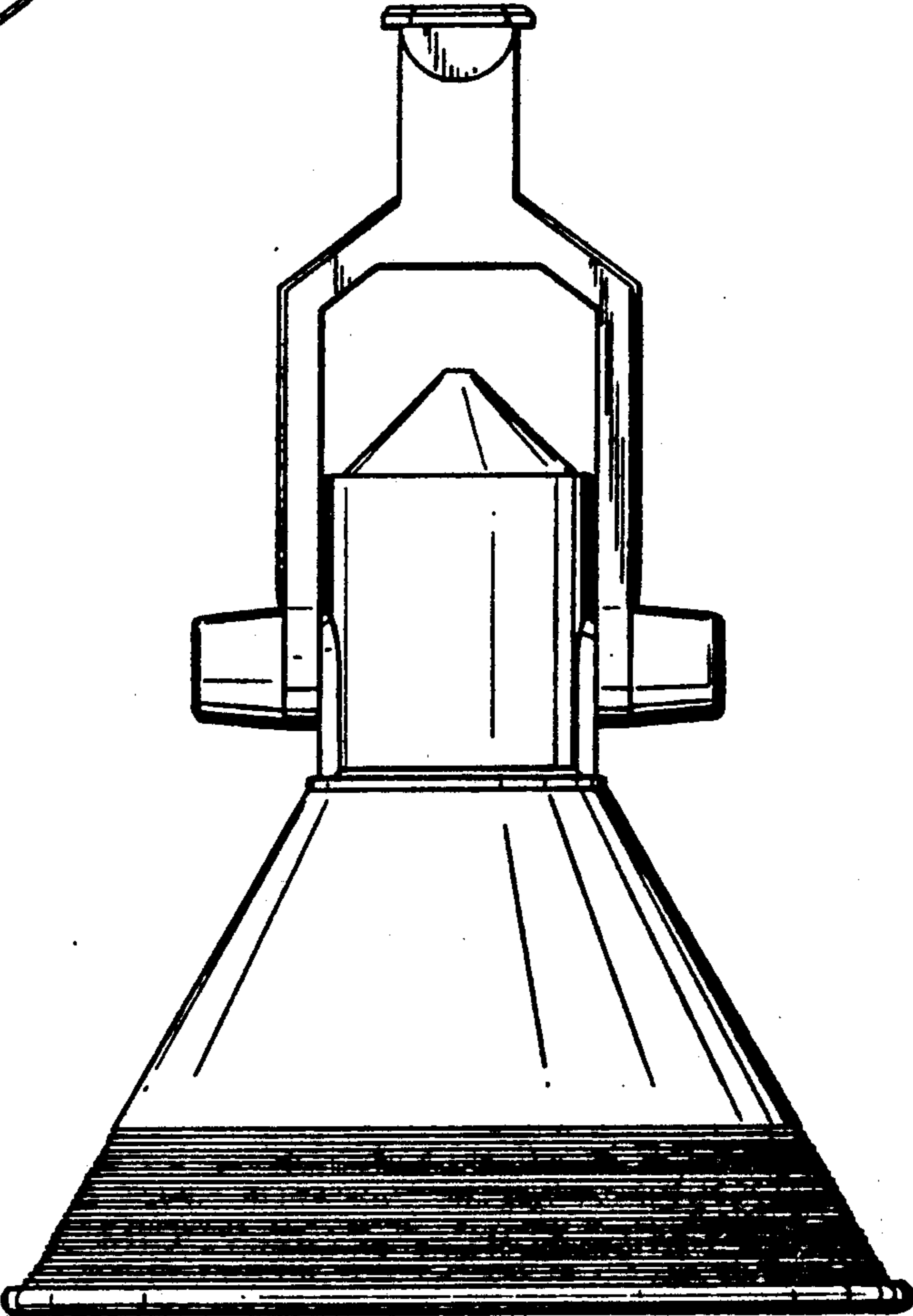
**DESCRIPTION**

FIG. 1 is a bottom, front perspective view of a lighting fixture showing my new design;  
FIG. 2 is a rear elevational view thereof;  
FIG. 3 is a side elevational view thereof, the opposite side being a mirror image; and,  
FIG. 4 is a top plan view thereof.

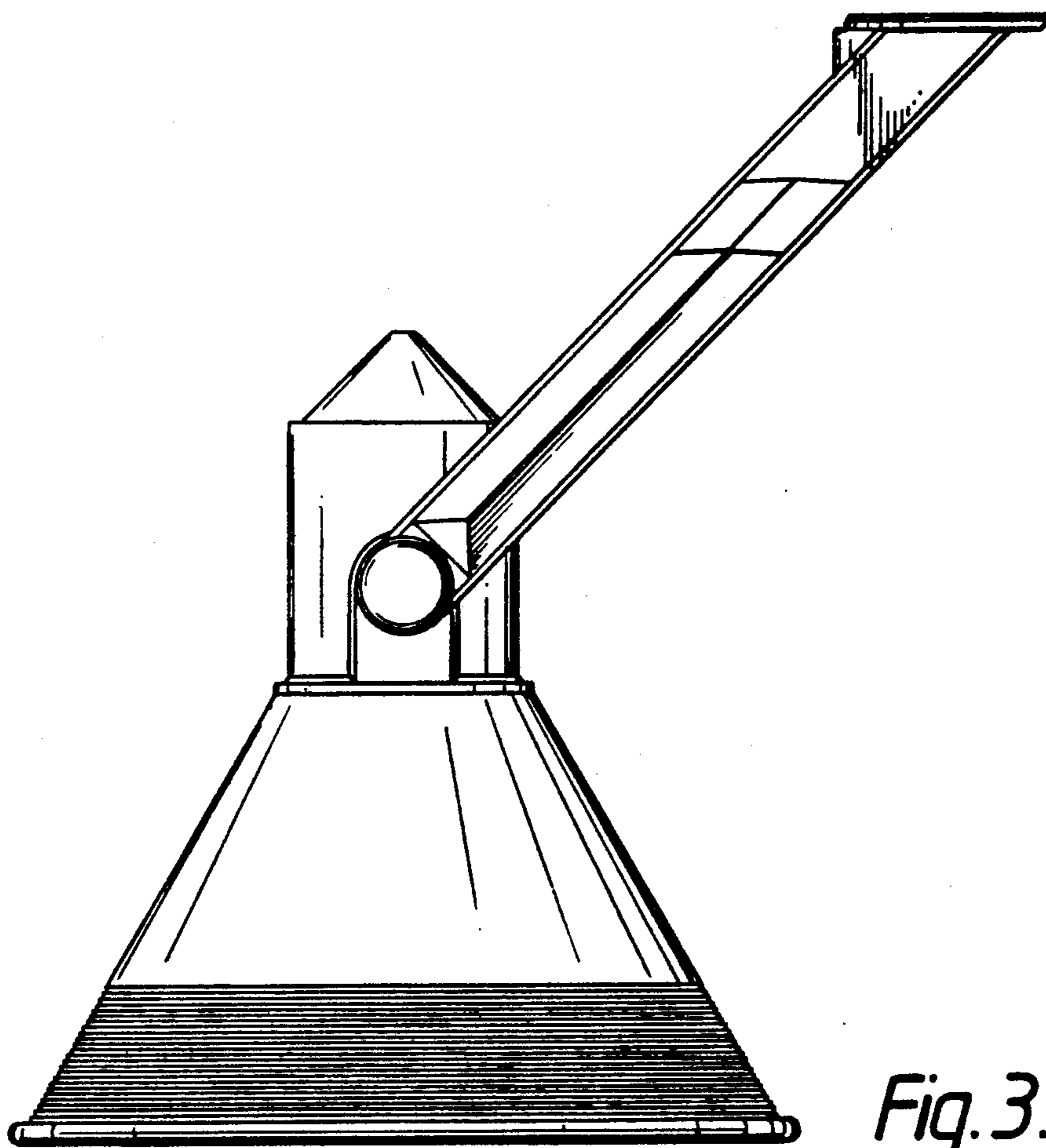




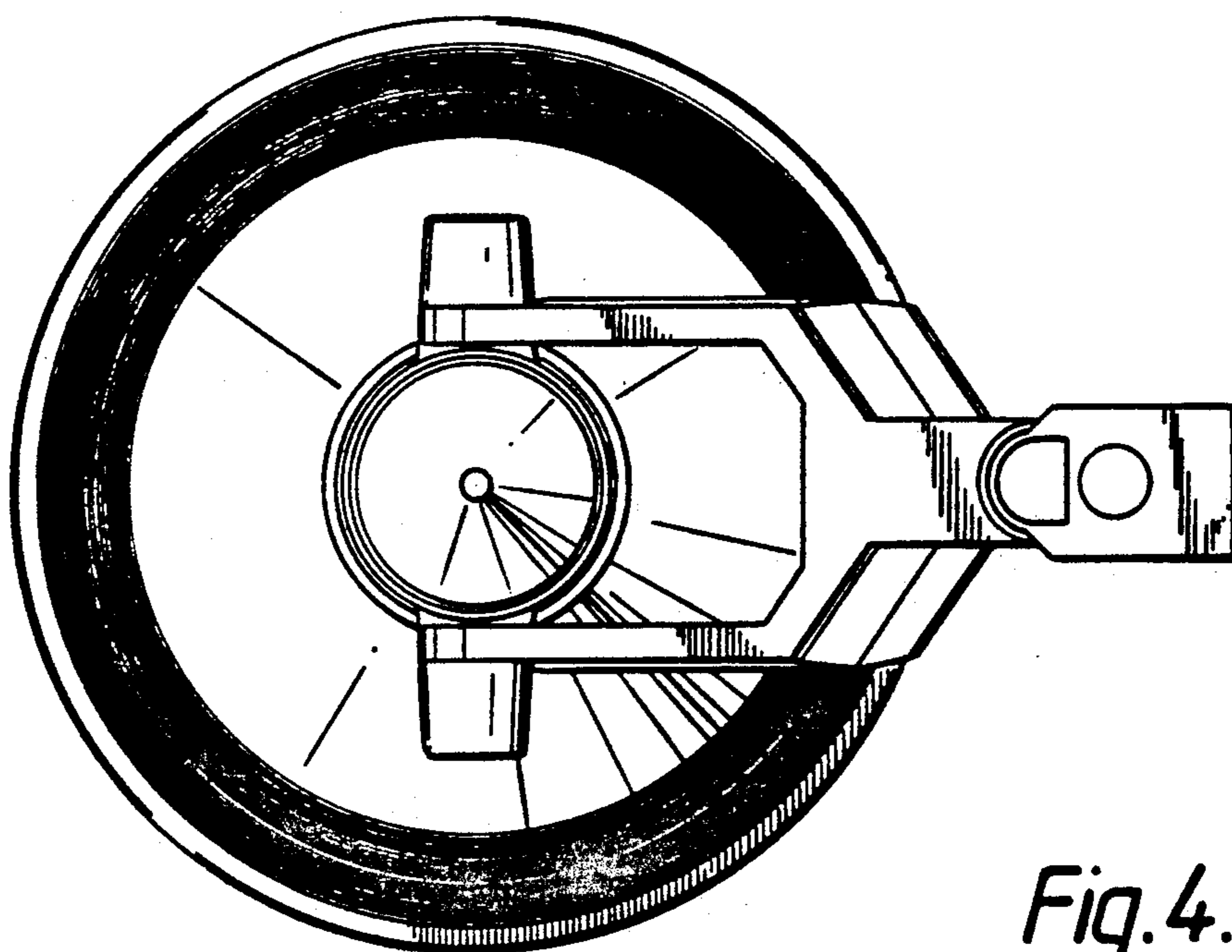
*Fig. 1.*



*Fig. 2.*



*Fig. 3.*



*Fig. 4.*