



US00D325788S

# United States Patent [19]

Yuen

[11] Patent Number: Des. 325,788

[45] Date of Patent: \*\* Apr. 28, 1992

## [54] WATERPROOF SPOTLIGHT

[75] Inventor: John S. Yuen, Kowloon, Hong Kong

[73] Assignee: John Manufacturing Limited,  
Kowloon, Hong Kong

[\*\*] Term: 14 Years

[21] Appl. No.: 522,859

[22] Filed: May 14, 1990

### [30] Foreign Application Priority Data

Jan. 12, 1990 [GB]	United Kingdom	2003965
[52] U.S. Cl.		D26/49
[58] Field of Search		D26/37-50; 362/157, 158, 183-208

## [56] References Cited

### U.S. PATENT DOCUMENTS

D. 195,053	4/1963	Amoroso	.....	D26/49
D. 283,646	4/1986	Battarel et al.	.....	D26/49
D. 286,681	11/1986	Hung	.....	D26/49

*Primary Examiner*—Susan J. Lucas  
*Attorney, Agent, or Firm*—Fay, Sharpe, Beall, Fagan,  
Minnich & McKee

## [57] CLAIM

The ornamental design for a waterproof spotlight, as shown and described.

## DESCRIPTION

FIG. 1 is a top plan view of a waterproof spotlight showing my new design;  
FIG. 2 is a right side elevational view thereof, the left side being a mirror image;  
FIG. 3 is an underneath plan view thereof;  
FIG. 4 is a front elevational view thereof; and,  
FIG. 5 is a rear elevational view thereof.

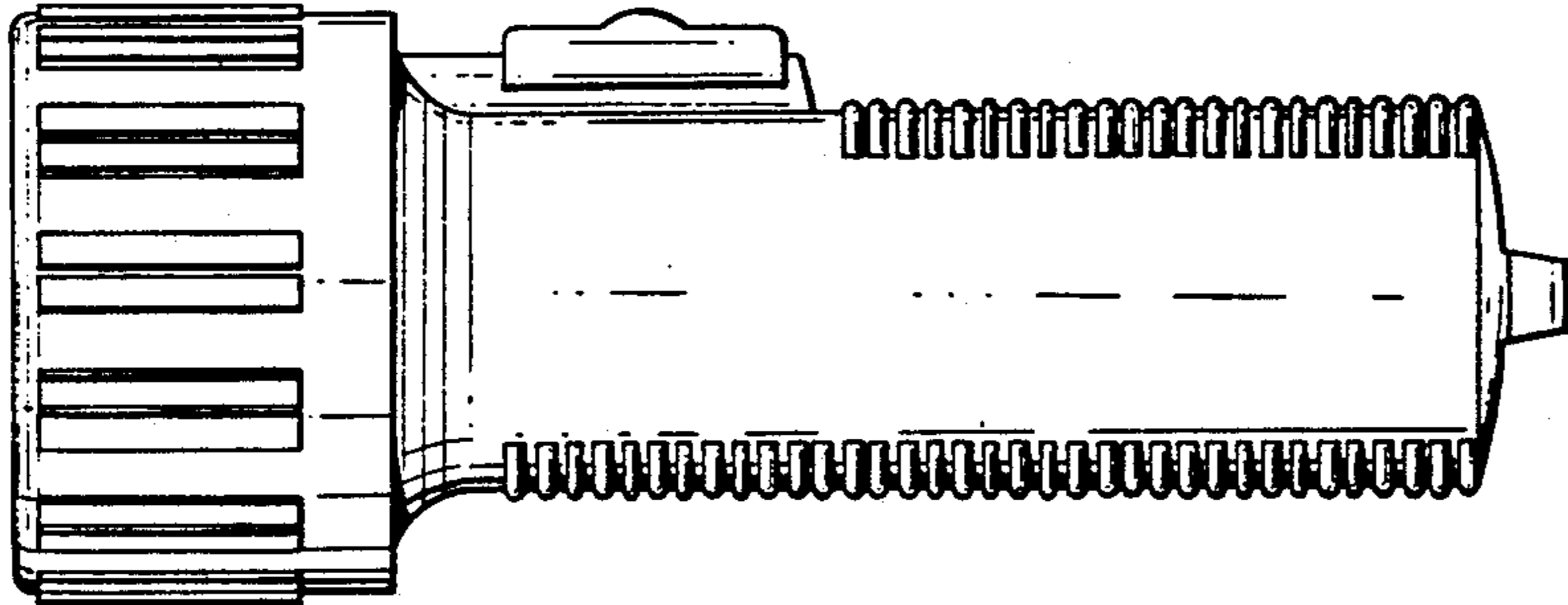
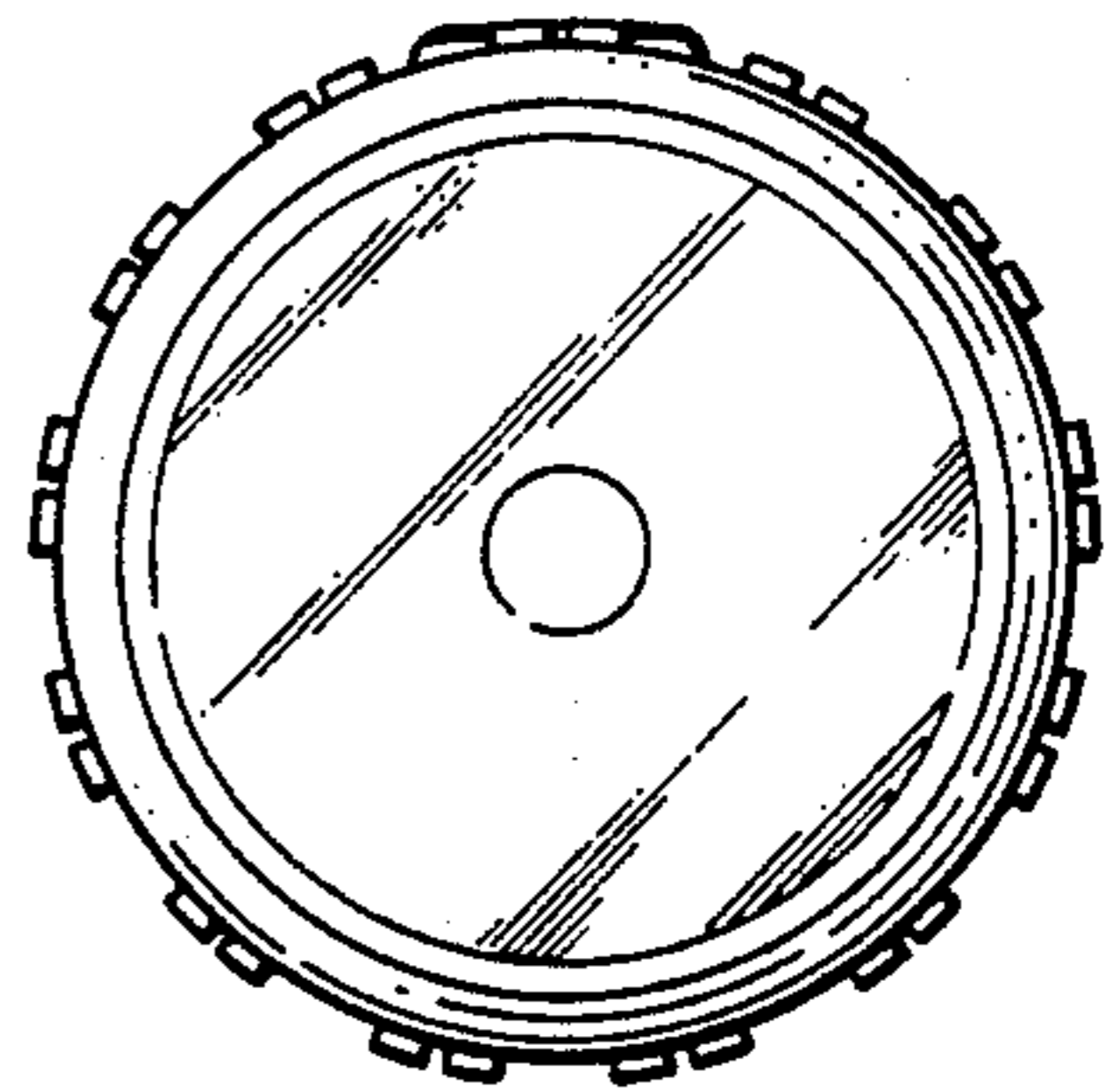
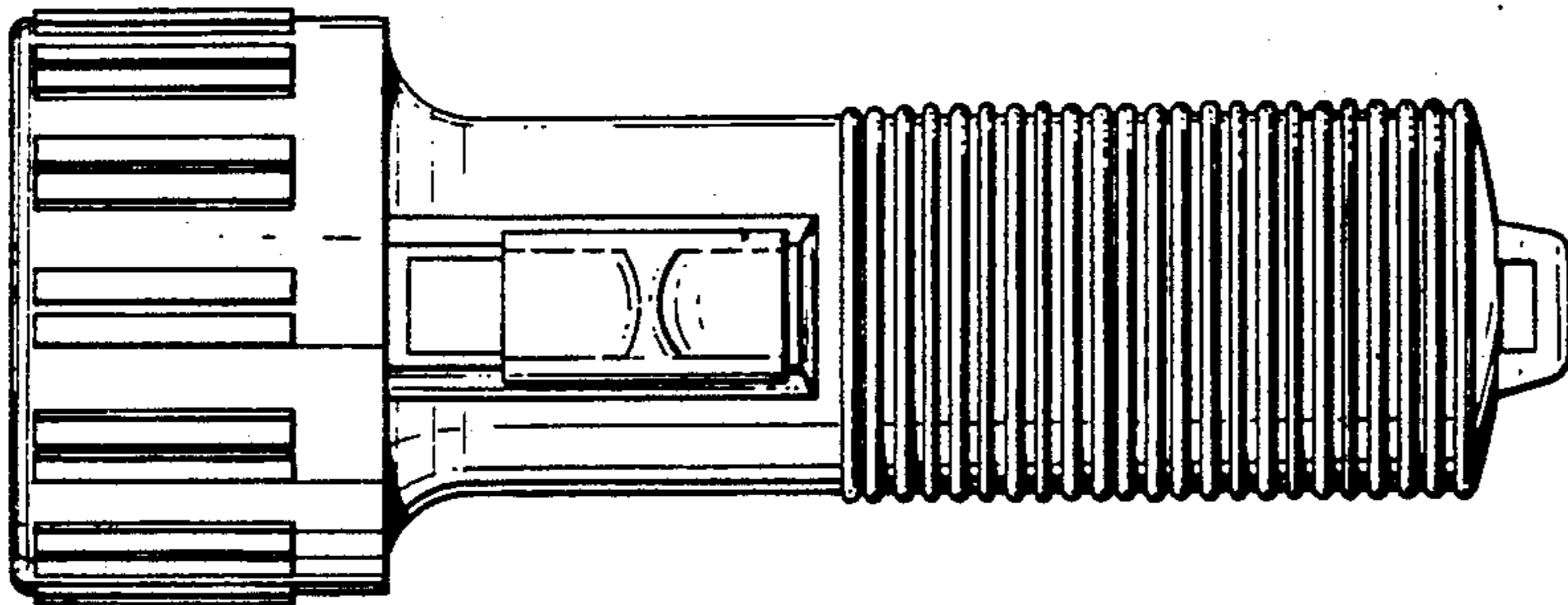


FIG. 1

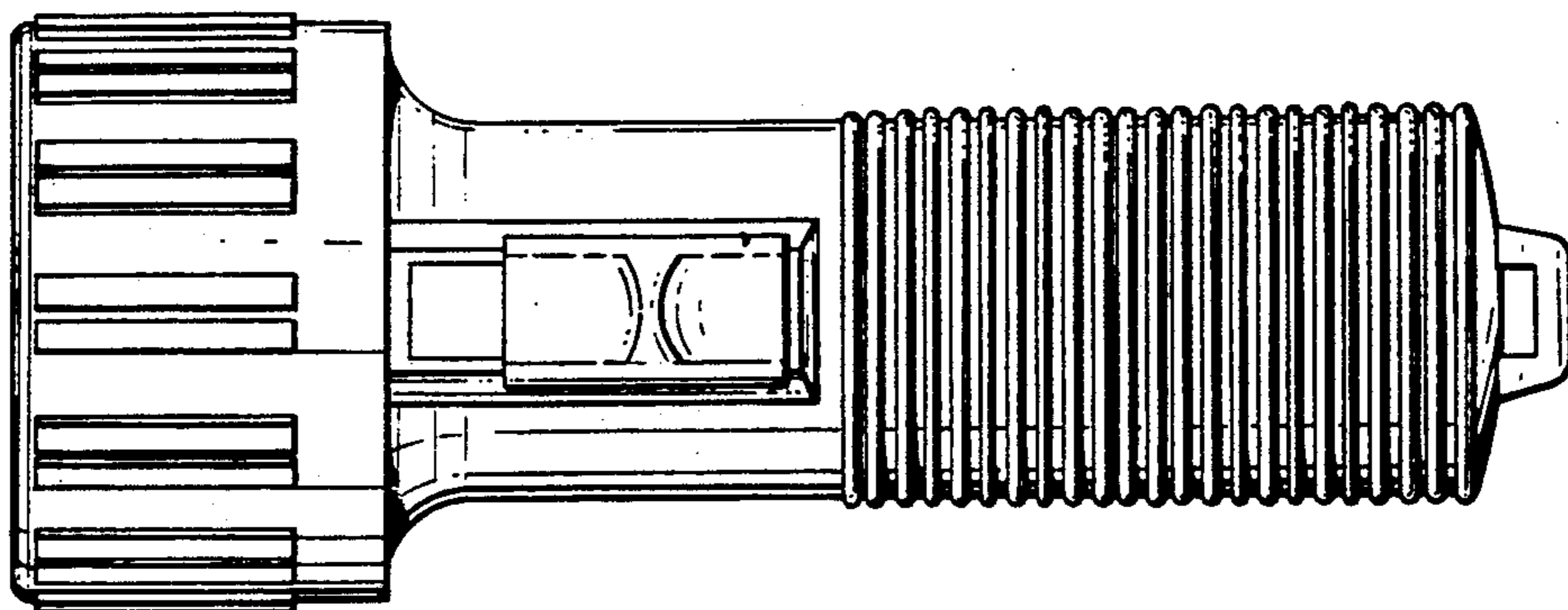


FIG. 2

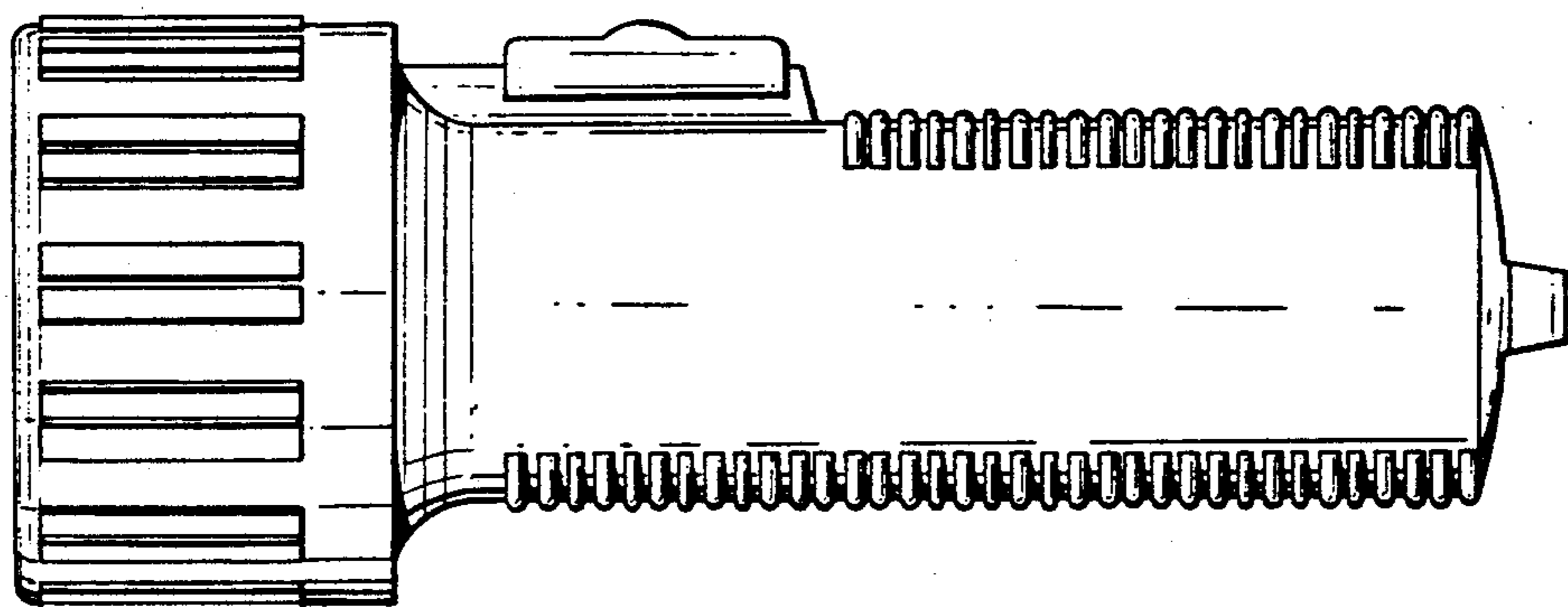


FIG. 4

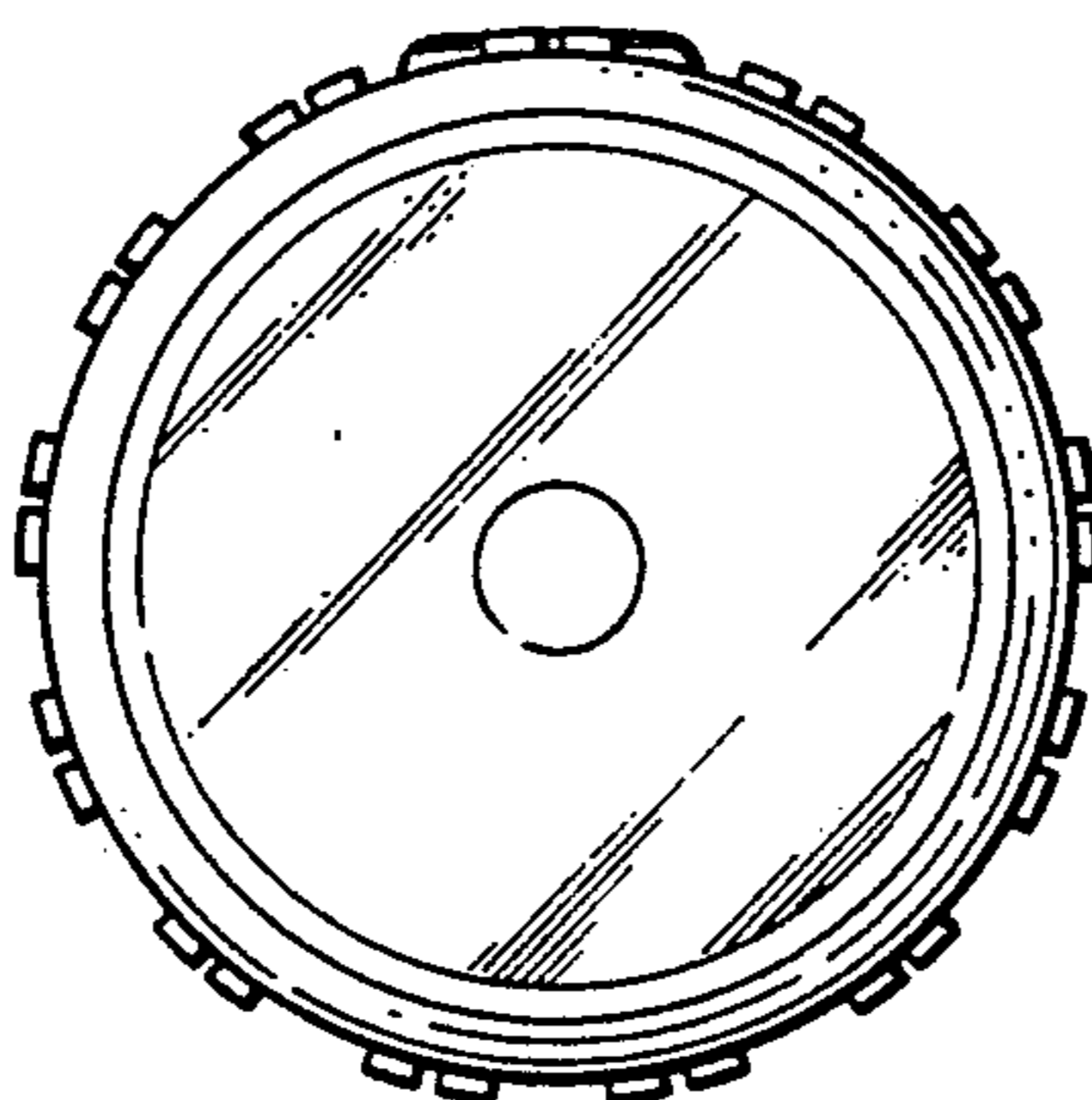


FIG. 3

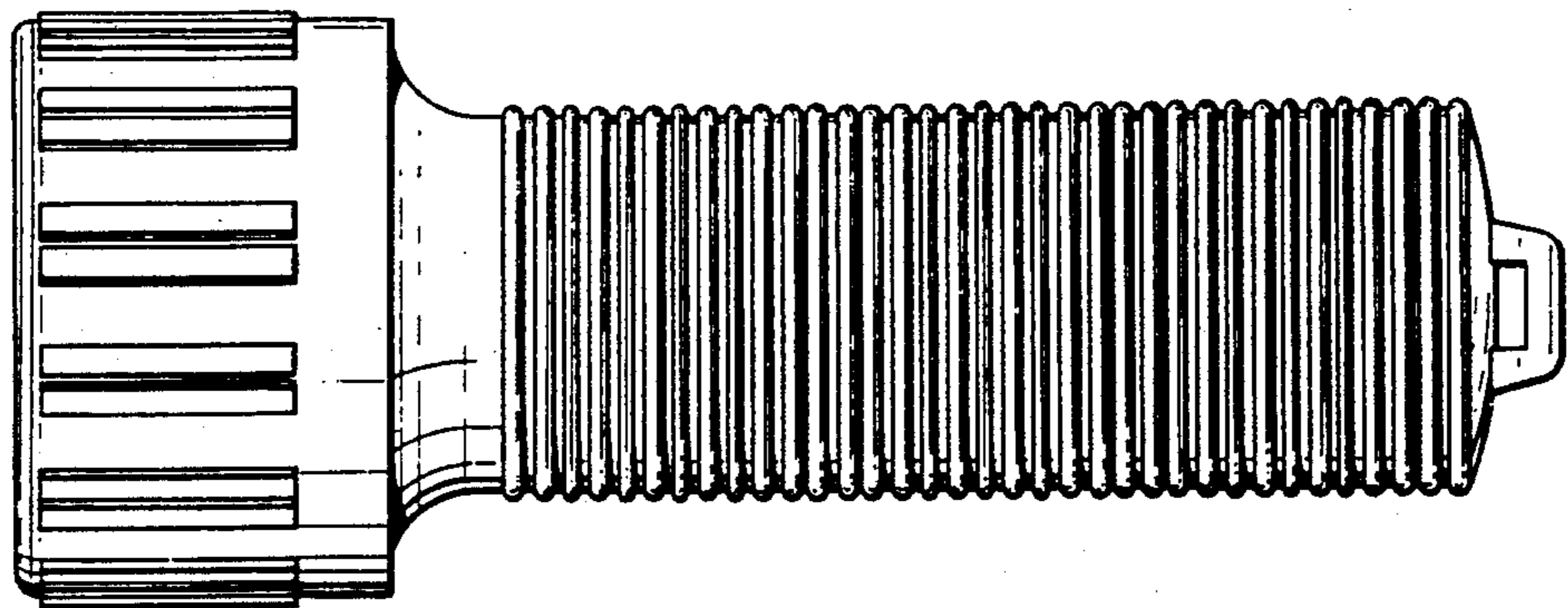


FIG. 5

