



US00D325786S

# United States Patent [19]

Dallaire et al.

[11] Patent Number: **Des. 325,786**

[45] Date of Patent: **\*\* Apr. 28, 1992**

[54] **WINDOW COMPONENT EXTRUSION**

[75] Inventors: **Raymond Dallaire; Dominique Dallaire, both of St. David, Canada**

[73] Assignee: **Dallaire Industries Ltd., Levis-Lauzon, Canada**

[\*\*] Term: **14 Years**

[21] Appl. No.: **526,491**

[22] Filed: **May 18, 1990**

[52] U.S. Cl. .... **D25/119**

[58] Field of Search ..... **D25/52, 119-125; 49/501-502, 504, DIG. 1, DIG. 2; 52/283, 171, 579**

[56] **References Cited**

**U.S. PATENT DOCUMENTS**

D. 300,566 4/1989 Fein ..... D25/119  
3,382,614 5/1968 Adell ..... 52/823

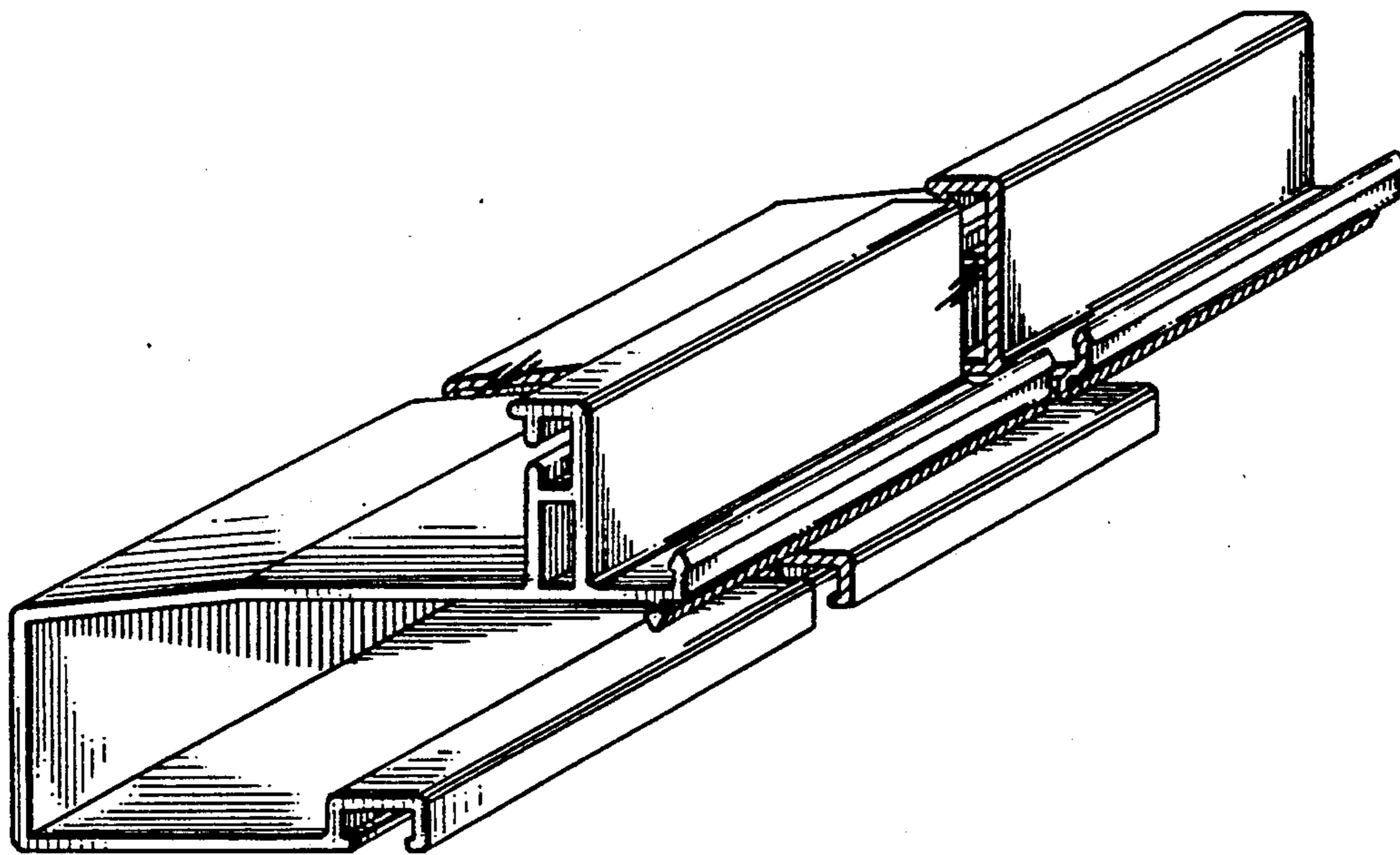
*Primary Examiner*—A. Hugo Word  
*Assistant Examiner*—Doris Clark  
*Attorney, Agent, or Firm*—James D. Hall

[57] **CLAIM**

The ornamental design for a window component extrusion, as shown and described.

**DESCRIPTION**

FIG. 1 is a right side perspective view of a window component extrusion showing our new design, the extrusion being broken in the center to indicate indeterminate length; and, FIG. 2 is a left side perspective view thereof.



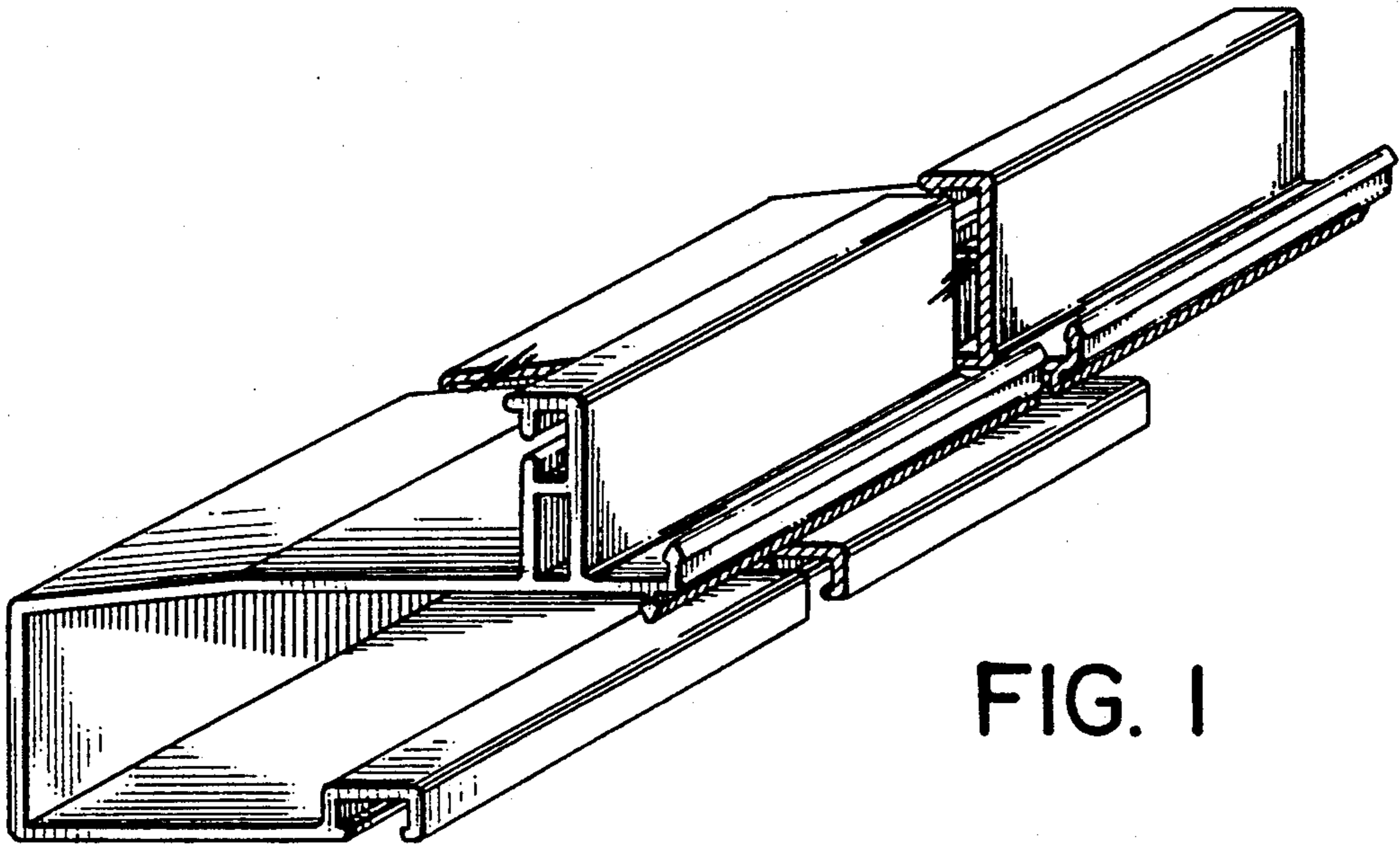


FIG. 1

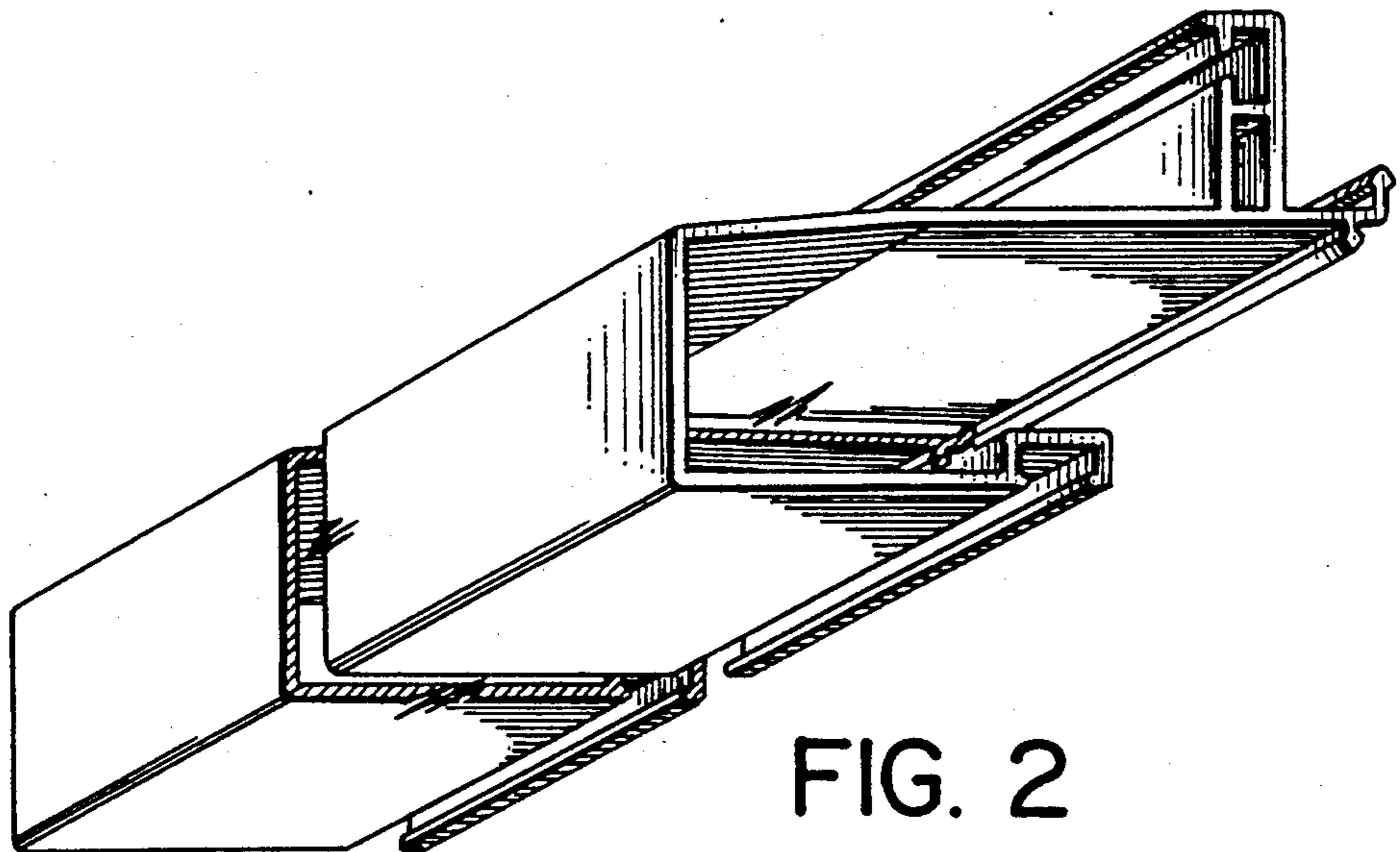


FIG. 2