



US00D325782S

# United States Patent [19]

[11] Patent Number: **Des. 325,782**

Elie

[45] Date of Patent: **\*\* Apr. 28, 1992**

[54] **LENS TESTING INSTRUMENT**

[75] Inventor: **Francois Elie, Paris, France**

[73] Assignee: **Essilor International (Compagnie General d'Optique), Creteil, France**

[\*\*] Term: **14 Years**

[21] Appl. No.: **370,564**

[22] Filed: **Jun. 23, 1989**

[30] **Foreign Application Priority Data**

Jan. 13, 1989 [FR] France ..... 890244

[52] U.S. Cl. .... **D24/172; D16/130; D16/227**

[58] Field of Search ..... **D16/221, 225, 227, 222, D16/130; 356/124, 125, 126, 127; D24/150, 172**

[56] **References Cited**

**U.S. PATENT DOCUMENTS**

D. 150,412 8/1948 Gordon ..... D16/225  
D. 246,987 1/1978 Hawkins ..... D24/172

D. 253,909 1/1980 Armbruster ..... D24/172  
2,640,392 6/1953 Freeman ..... 356/126  
2,683,392 7/1954 Ellis ..... 356/125  
3,002,285 10/1961 Wright ..... 356/127

**OTHER PUBLICATIONS**

American Optical Catalog, Jul./1981, p. 1.

*Primary Examiner*—Bernard Ansher  
*Assistant Examiner*—Adir Aronovich  
*Attorney, Agent, or Firm*—Young & Thompson

[57] **CLAIM**

The ornamental design for a lens testing instrument, as shown and described.

**DESCRIPTION**

FIG. 1 is a right side elevational view showing my new design;  
FIG. 2 is a front elevational view thereof;  
FIG. 3 is a rear elevational view thereof;  
FIG. 4 is a left side elevational view thereof;  
FIG. 5 is a top plan view thereof;  
FIG. 6 is a bottom plan view thereof; and,  
FIG. 7 is a front and side perspective view thereof.

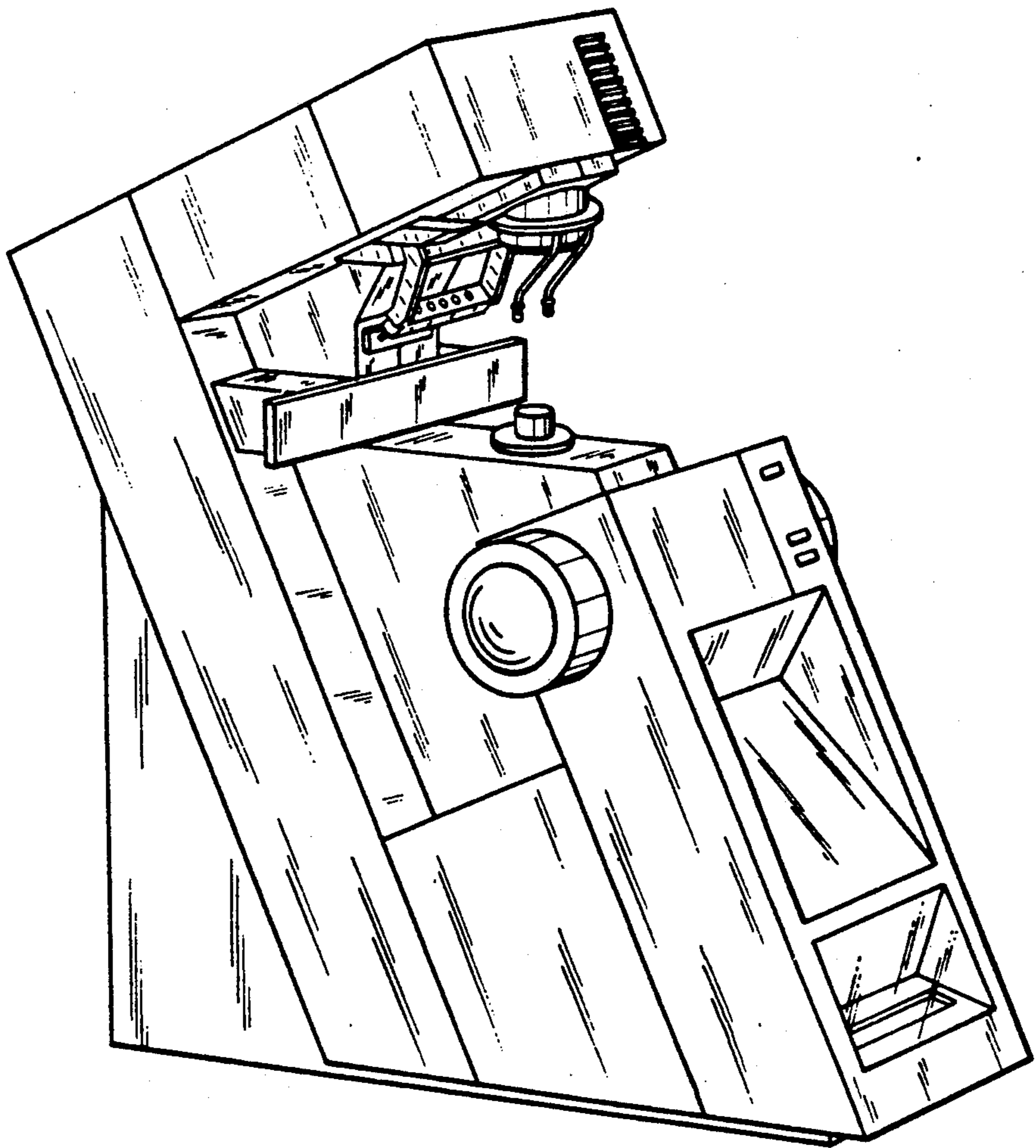


FIG. 2

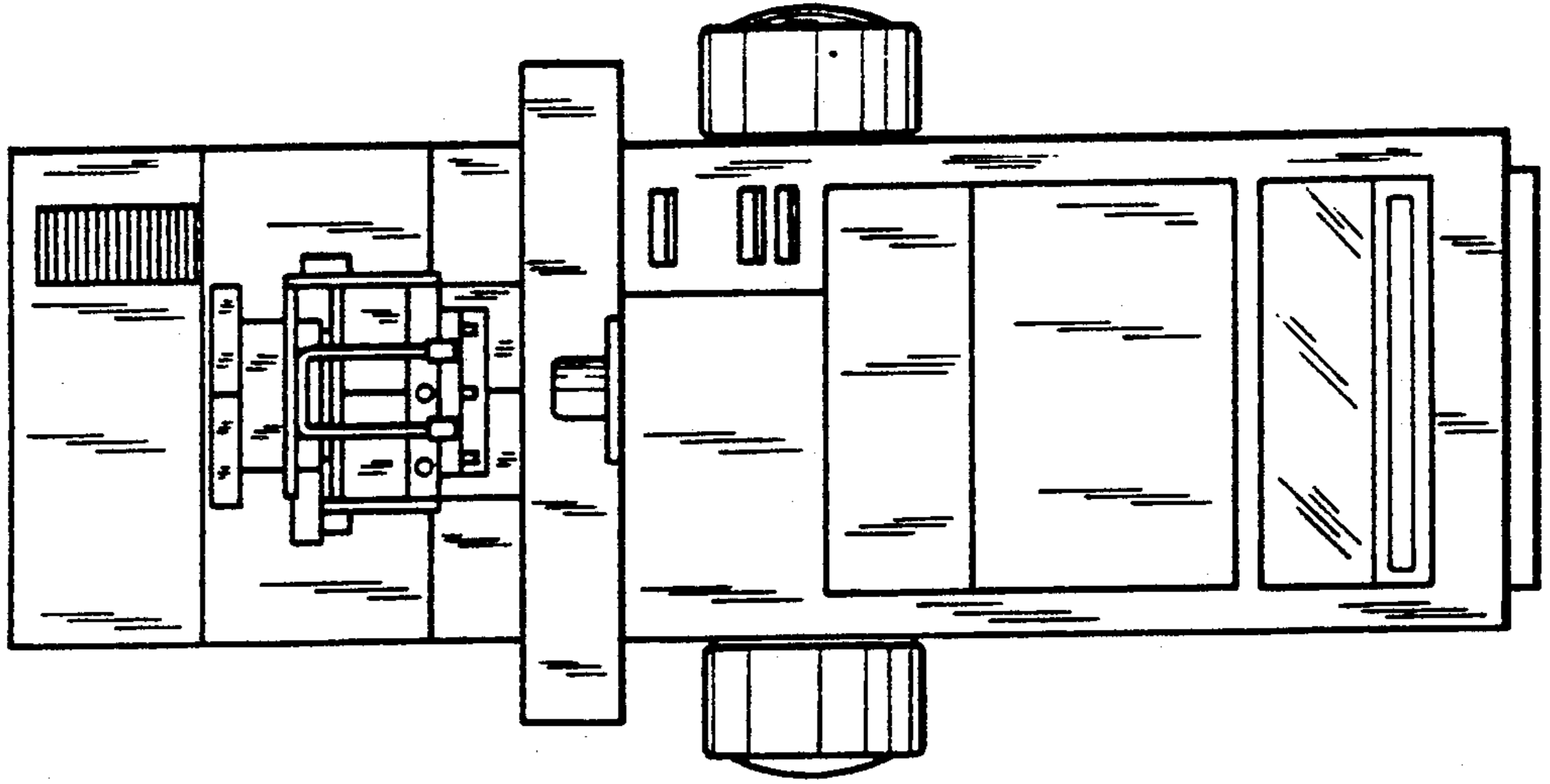


FIG. 1

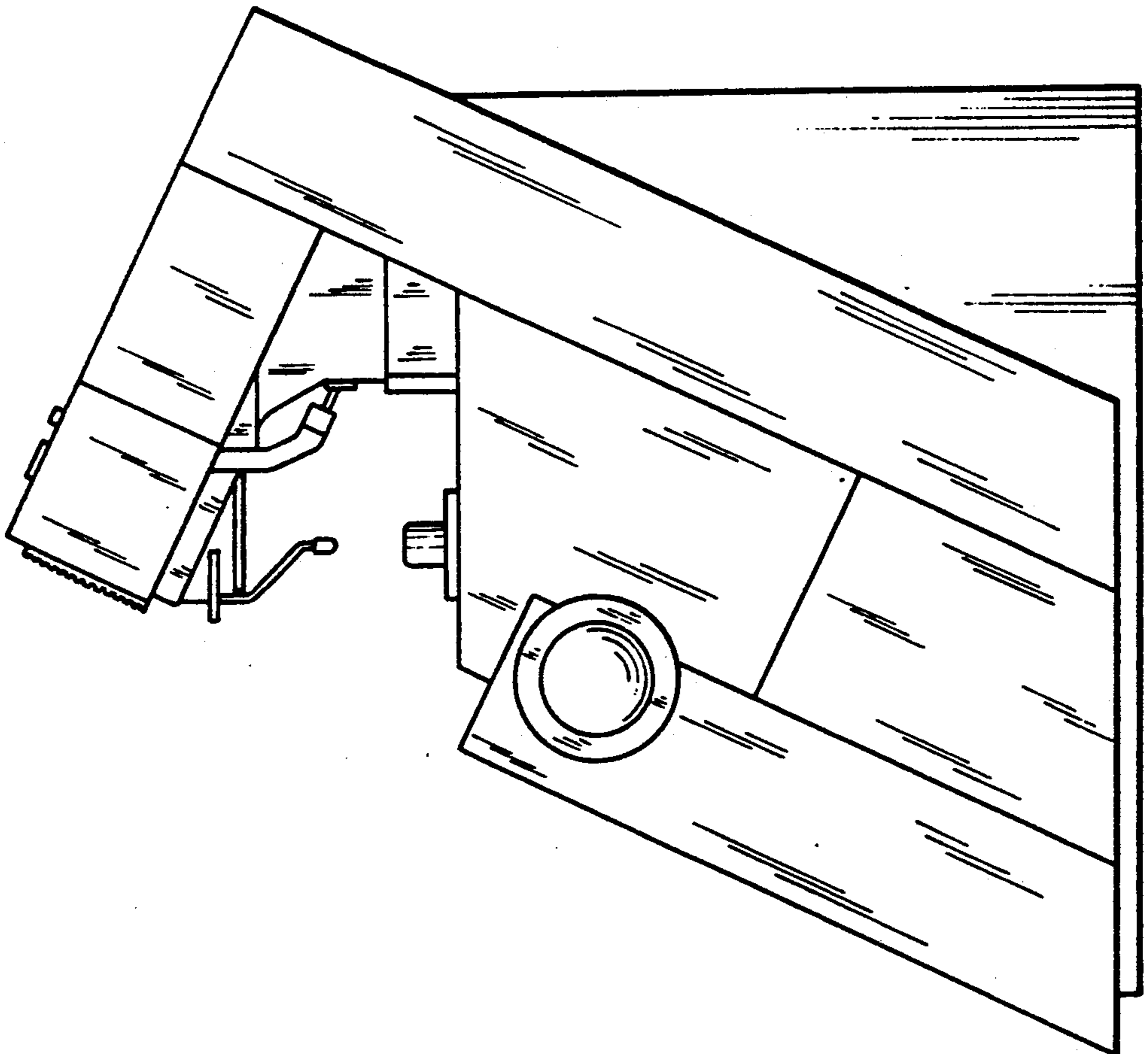


FIG. 4

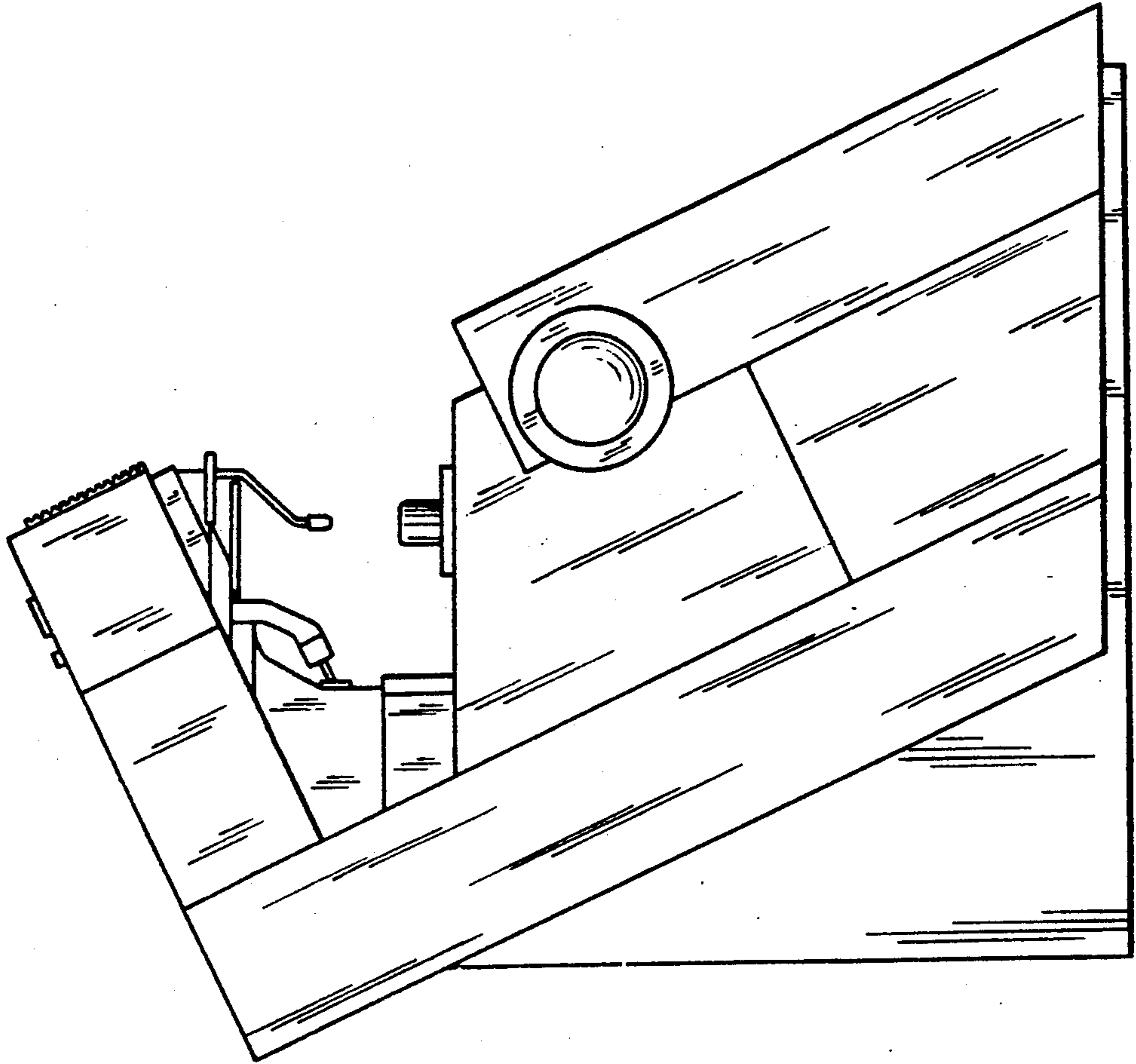


FIG. 3

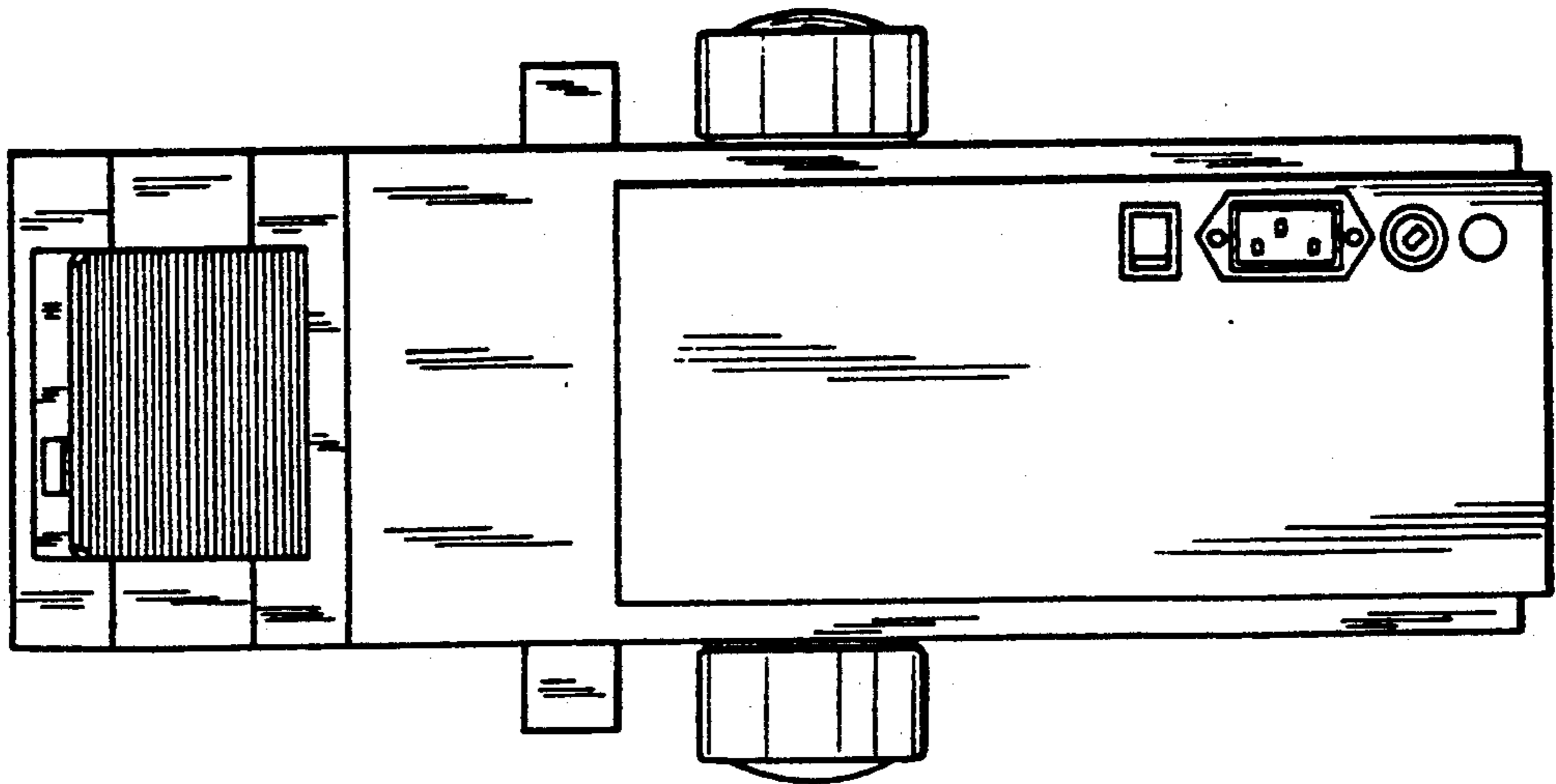


FIG. 6

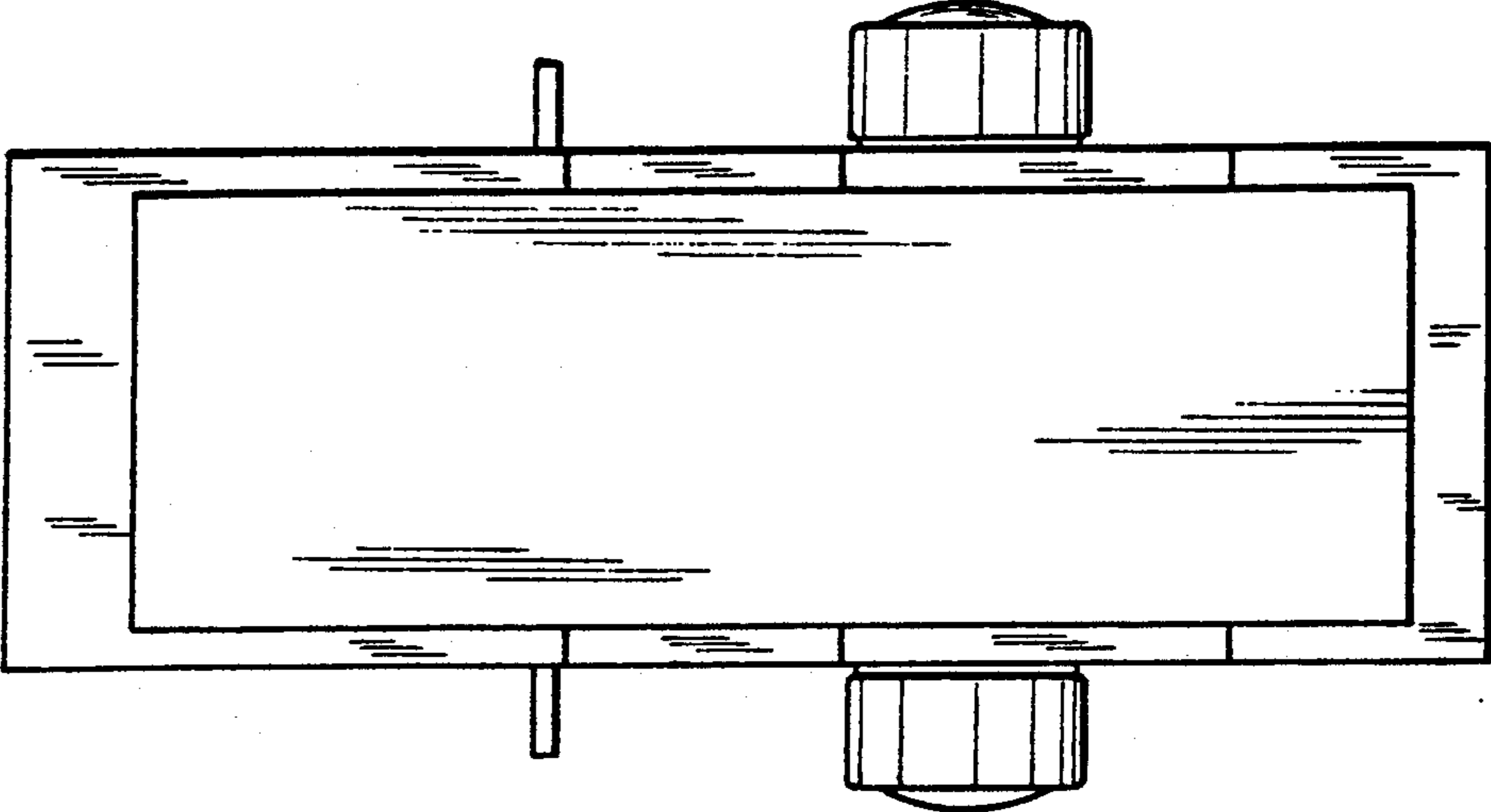
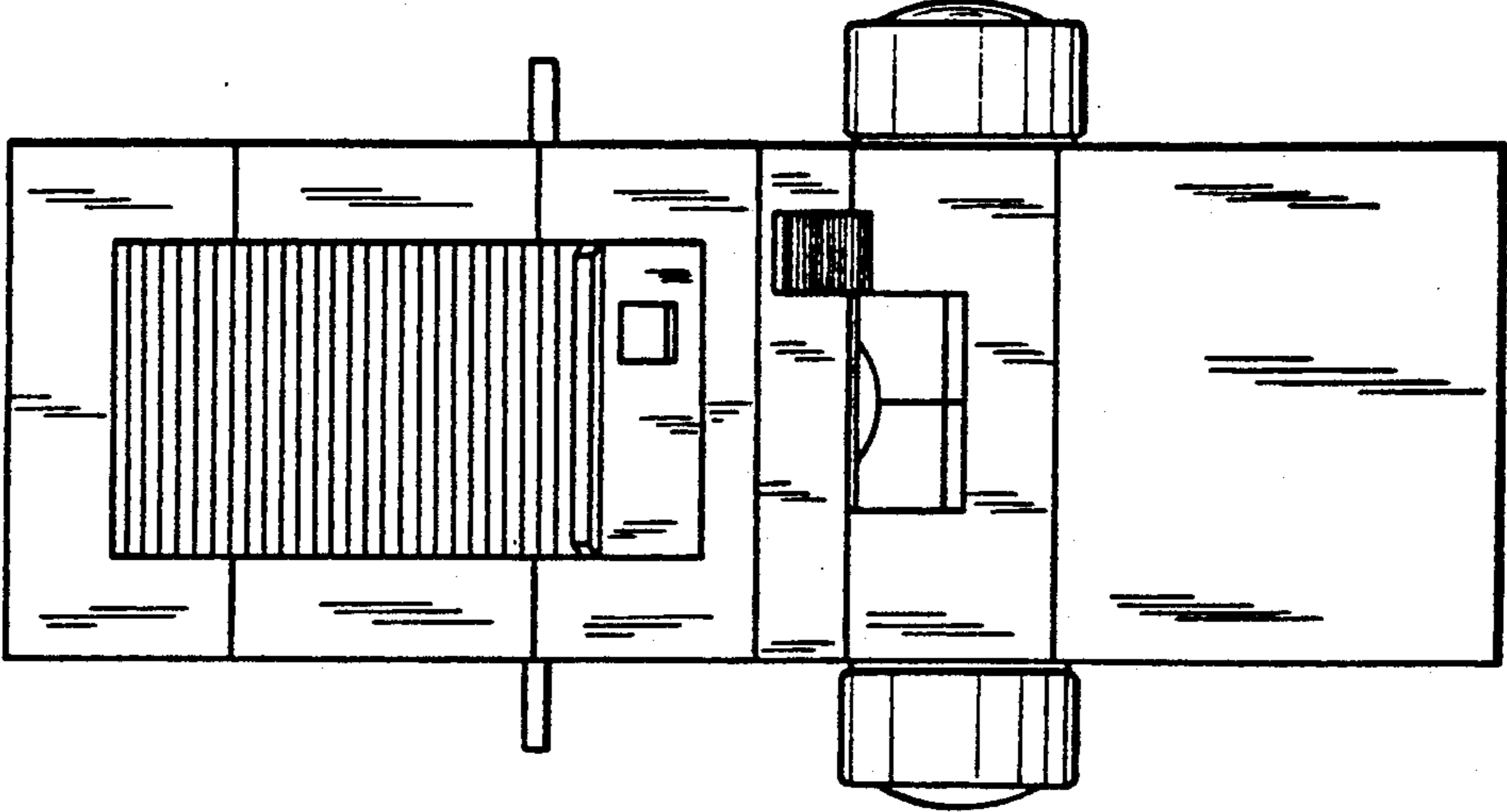


FIG. 5





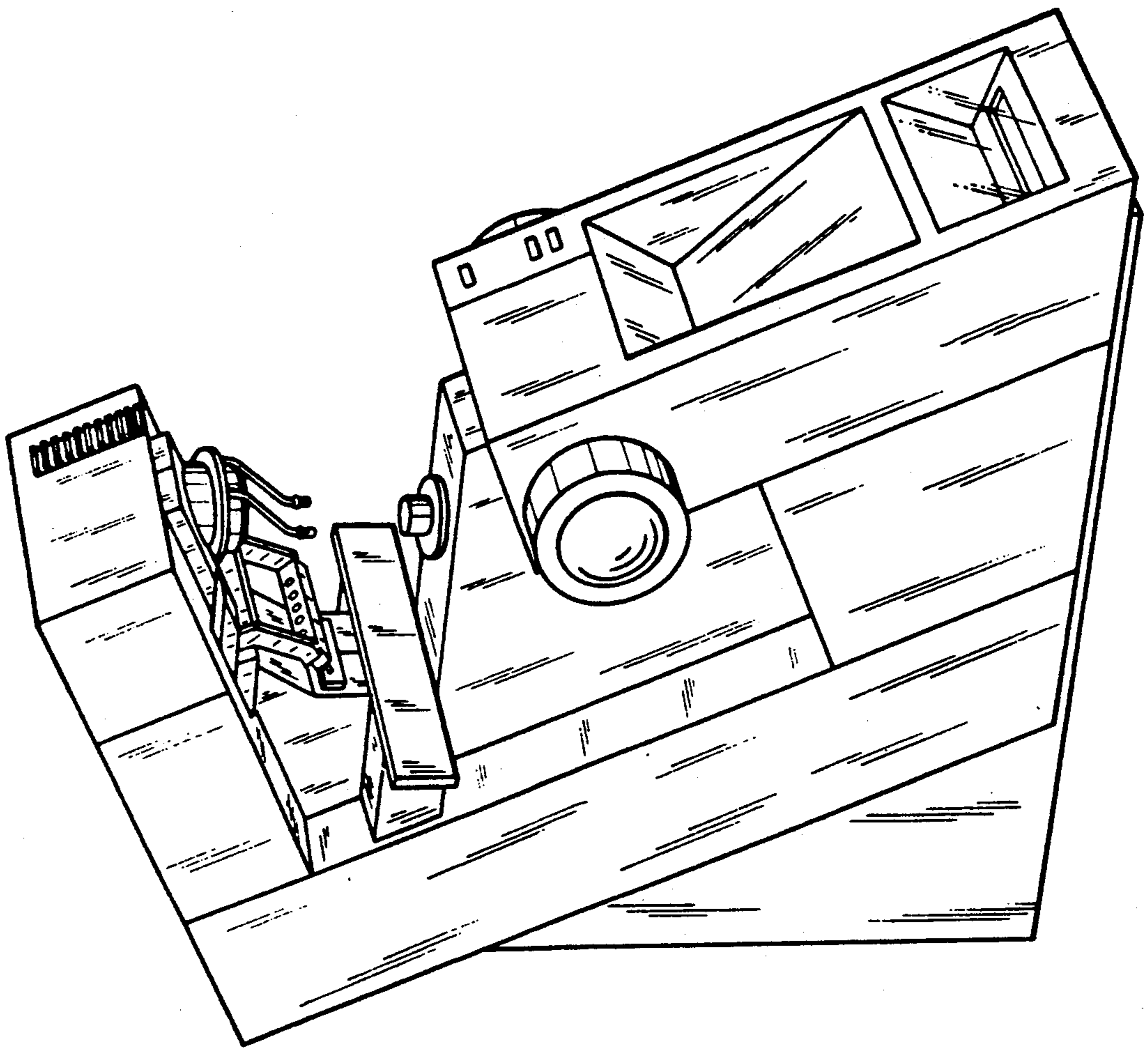


FIG. 7