



US00D325776S

# United States Patent [19]

Scofield et al.

[11] Patent Number: **Des. 325,776**

[45] Date of Patent: **\*\* Apr. 28, 1992**

## [54] COMBINED CEILING FAN AND LIGHT

[75] Inventors: **Robert L. Scofield**, Cordova, Tenn.; **Stephen R. Burns**, Duluth, Ga.; **Roy Nicholson**, Hickory, N.C.

[73] Assignee: **Hunter Fan Company**, Memphis, Tenn.

[\*\*] Term: **14 Years**

[21] Appl. No.: **497,334**

[22] Filed: **Mar. 22, 1990**

[52] U.S. Cl. .... **D23/377; D26/85**

[58] Field of Search ..... **D23/377, 379, 385, 411, D23/413; D26/72, 82, 85, 87; 416/5; 362/96, 253**

## [56] References Cited

### U.S. PATENT DOCUMENTS

D. 82,179	9/1930	Ringwald .....	416/206
D. 270,942	10/1983	McCain .....	D23/379
D. 295,555	5/1988	Greenberg .....	D23/377
D. 298,454	11/1988	Clyde-Mason .....	D23/385
D. 310,561	9/1990	Janicz .....	D23/377
4,808,071	2/1989	Chau .....	416/5

### FOREIGN PATENT DOCUMENTS

785554	of 1970	U.S.S.R. ....	416/5
--------	---------	---------------	-------

## OTHER PUBLICATIONS

Home Lighting & Accessories, Dec. '85, p. 47, Contemporary Superfan, top of page.

Winnower Fan Co. Inc. Cat., p. 2, Grande Colour Fan, top of page.

Casablanca Fan Co. Cat., p. 11, Ceiling Fan Model 4464, upper left side of page.

Casablanca Fan Co. Ad, p. 2, Ceiling Fans Model 220N16T, Model 220211T, Model 220716T, left side of page.

Casablanca Fan Co. Cat., p. 2, Ceiling Fan (A), top right side of page.

*Primary Examiner*—James M. Gandy

*Assistant Examiner*—Lisa Lichtenstein

*Attorney, Agent, or Firm*—Heiskell, Donelson, Bearman, Adams, Williams & Kirsch

## [57] CLAIM

The ornamental design for a combined ceiling fan and light, as shown and described.

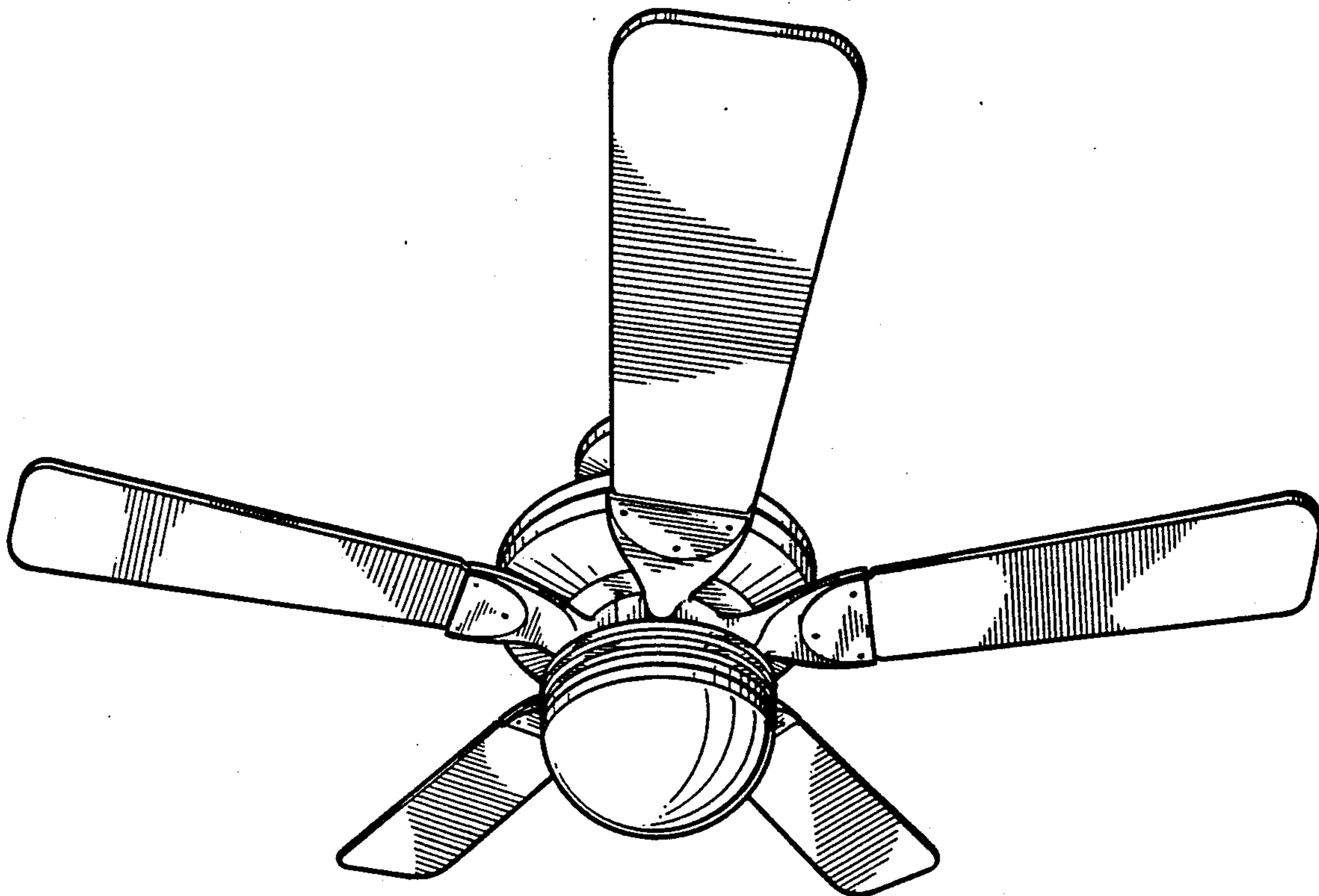
## DESCRIPTION

FIG. 1 is a bottom perspective view of a combined ceiling fan and light showing our new design;

FIG. 2 is a side elevation view thereof, the opposite side being a mirror image of that shown;

FIG. 3 is a bottom plan view thereof; and,

FIG. 4 is a top plan view thereof.



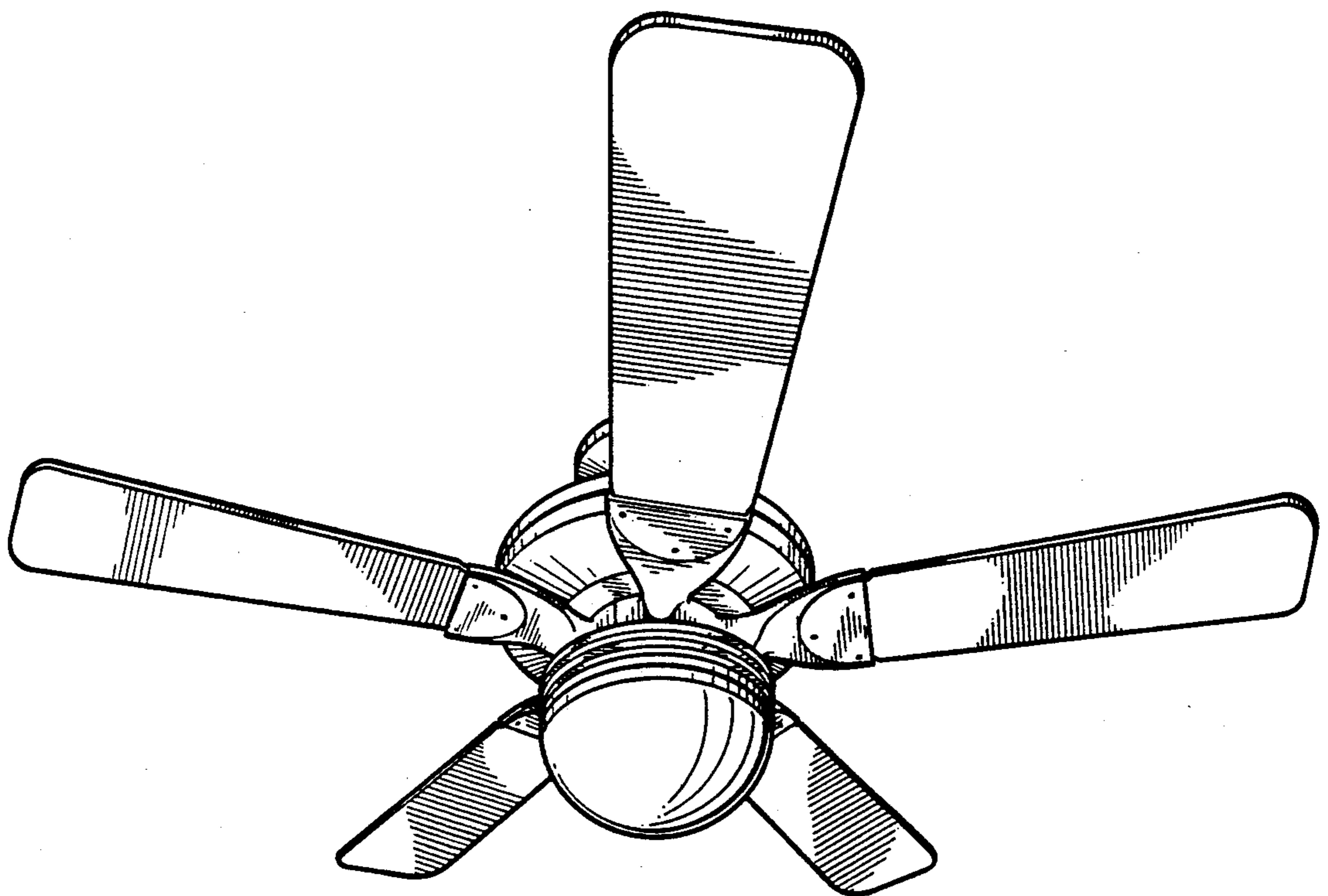


FIG. 1

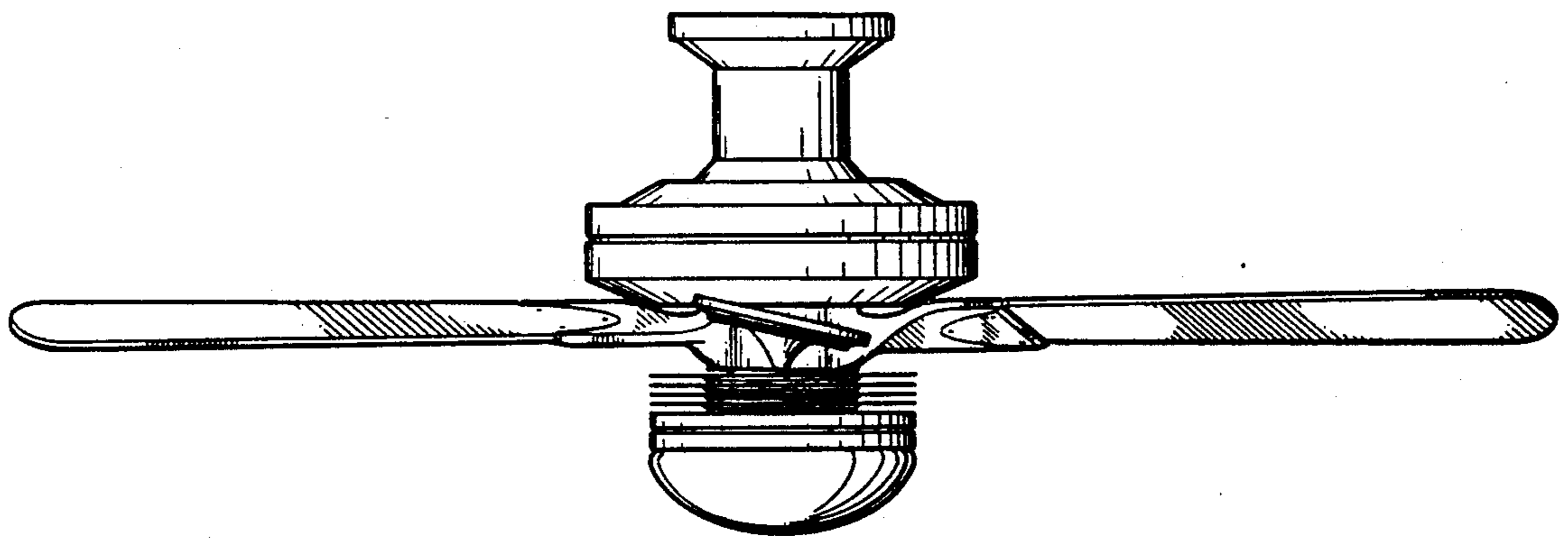


FIG. 2

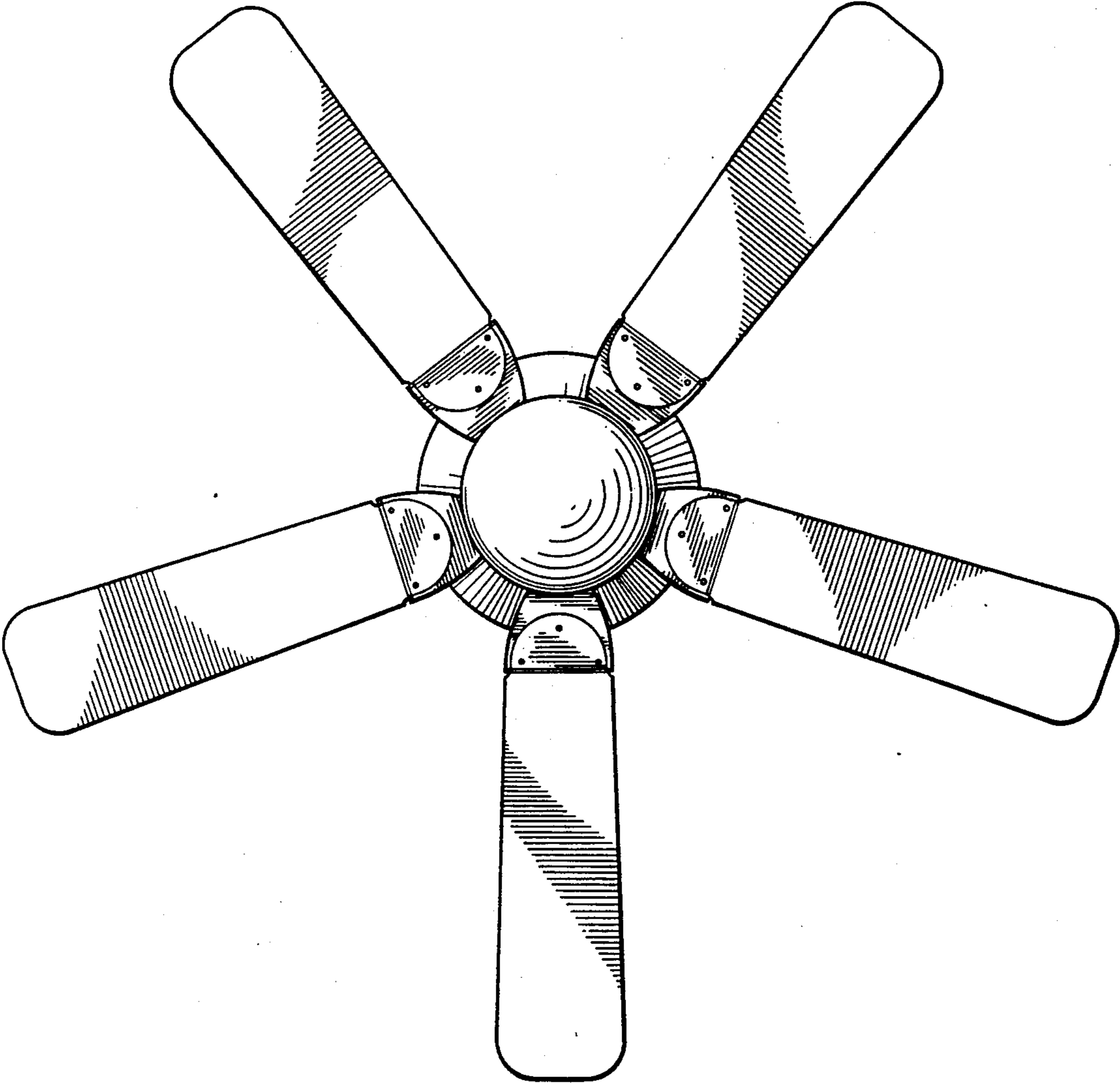


FIG. 3

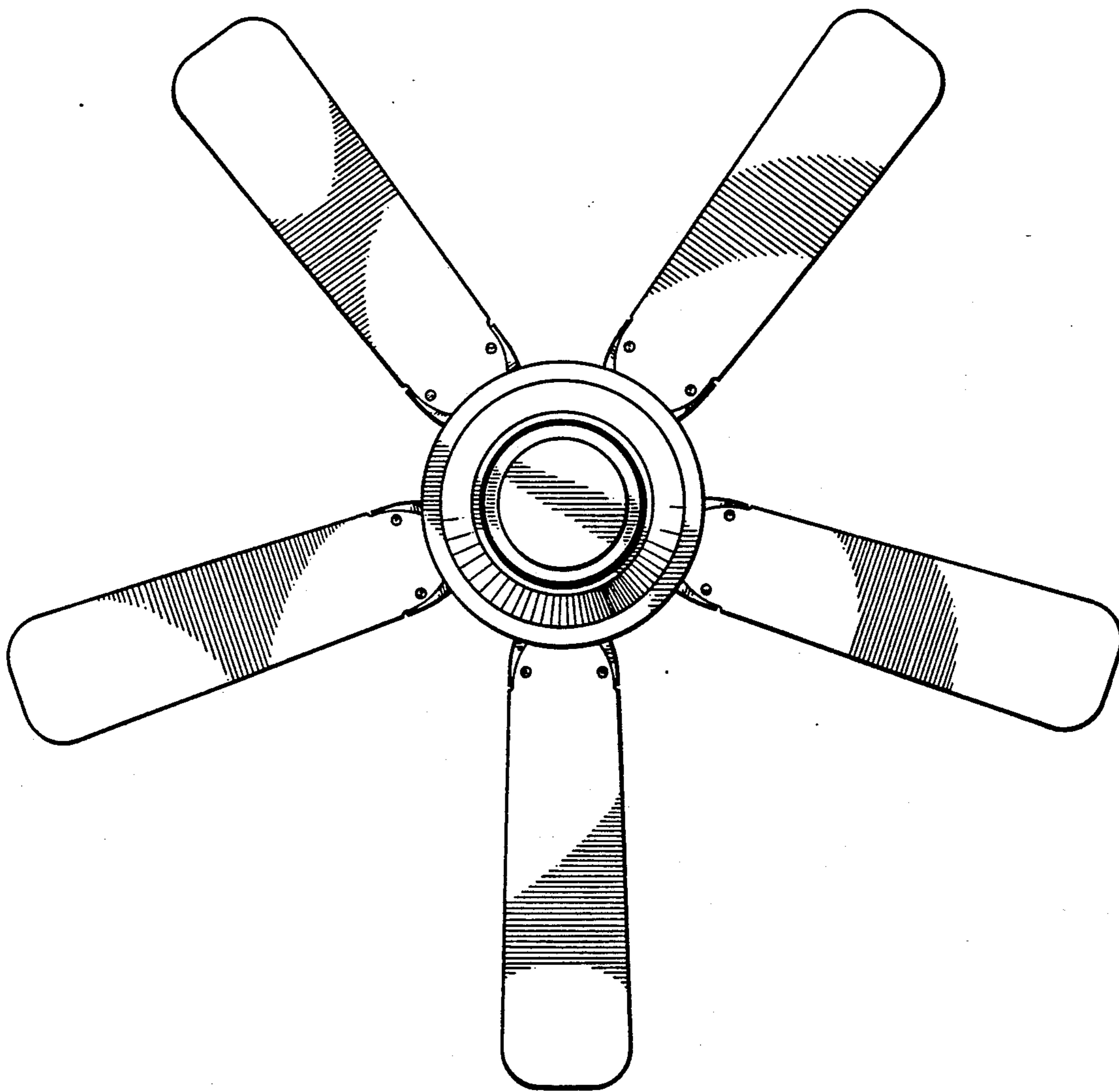


FIG. 4