



US00D325770S

# United States Patent [19]

[11] Patent Number: **Des. 325,770**

Haug et al.

[45] Date of Patent: **\*\* Apr. 28, 1992**

[54] **SHOWER HEAD**

[75] Inventors: **Andreas Haug; Thomas Schoenherr,**  
both of Stuttgart, Fed. Rep. of  
Germany

[73] Assignee: **Hans Grohe GmbH & Co. KG, Fed.**  
Rep. of Germany

[\*] Notice: The portion of the term of this patent  
subsequent to Apr. 28, 2006 has been  
disclaimed.

[\*\*] Term: **14 Years**

[21] Appl. No.: **529,174**

[22] Filed: **May 25, 1990**

[30] **Foreign Application Priority Data**

Dec. 14, 1989 [DE] Fed. Rep. of  
Germany ..... M8908688.0

[52] U.S. Cl. .... **D23/213**

[58] Field of Search ..... D23/213, 223-229;  
4/191-192, 567-570, 599-603, 596, 615;  
239/276, 280-283, 288.5, 310, 443-449,  
456-460, 525, 550-552, 556-559, 567, 581.1,  
568-569

[56] **References Cited**

**U.S. PATENT DOCUMENTS**

D. 253,245 10/1979 Allenbaugh, Jr. .... D23/213

D. 254,627 4/1980 Kelly et al. .... D23/223  
D. 295,889 5/1988 Haug et al. .... D23/229  
D. 296,002 5/1988 Haug et al. .... D23/229  
D. 311,948 11/1990 Mikol ..... D23/213  
3,112,073 11/1963 Larson et al. .... 239/446  
4,754,928 7/1988 Rogers et al. .... 239/447 X

**OTHER PUBLICATIONS**

Hansgrohe, D-7622 Schiltach, Schwarzwald—Catalog  
of shower products.  
2 pages of foreign patent document DM/005797 dated  
Sep. 12, 1985 illustrating shower heads.

*Primary Examiner*—Susan J. Lucas  
*Assistant Examiner*—M. H. Tung  
*Attorney, Agent, or Firm*—Eckert Seamans Cherin &  
Mellott

[57] **CLAIM**

The ornamental design for a shower head, as shown and  
described.

**DESCRIPTION**

FIG. 1 is a perspective view of a shower head showing  
our new design;  
FIG. 2 is a side elevational view thereof, the opposite  
side being identical;  
FIG. 3 is a front elevational view thereof, the rear view  
being identical;  
FIG. 4 is a bottom plan view thereof; and,  
FIG. 5 is a top plan view thereof.

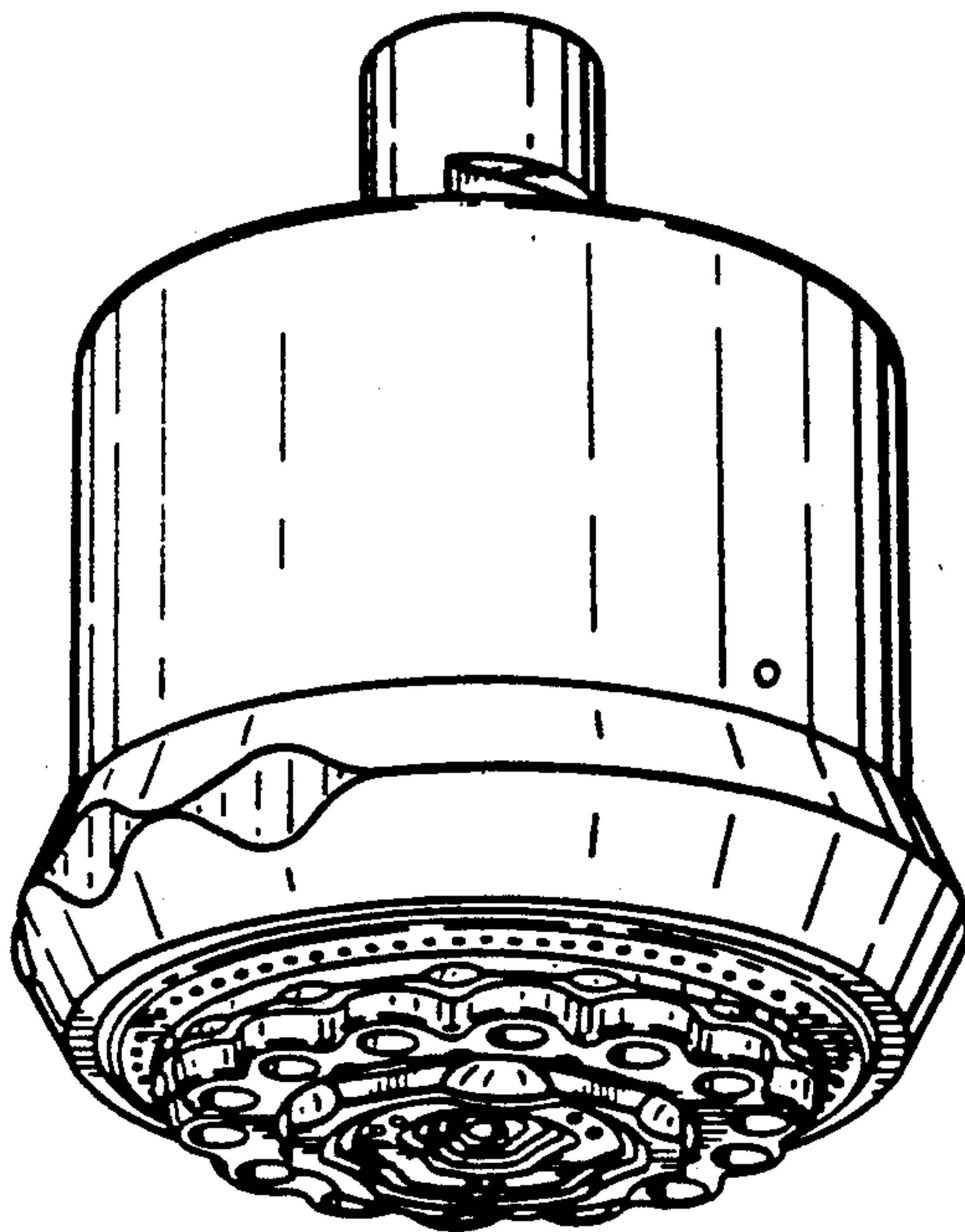


FIG. 1

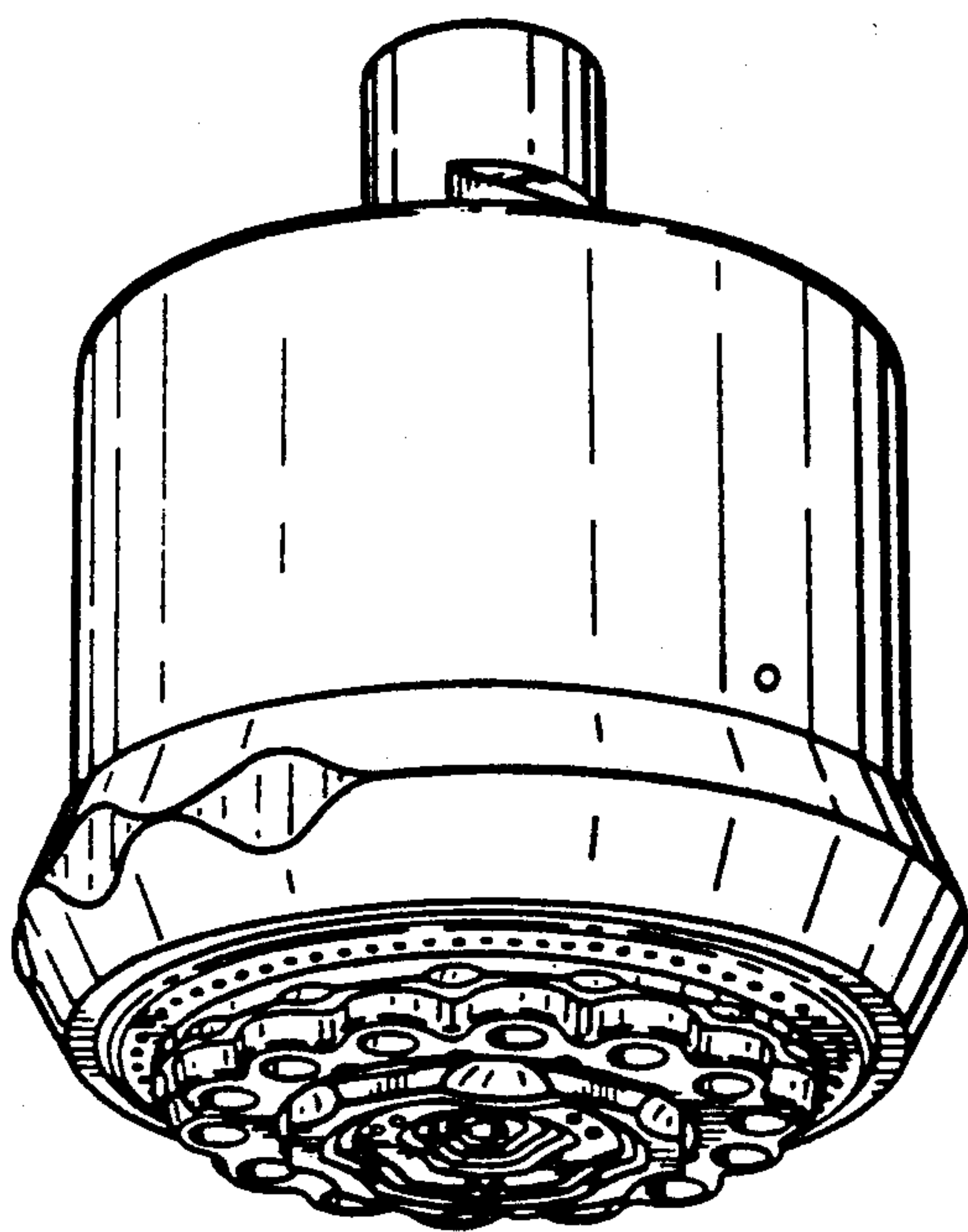


FIG. 5

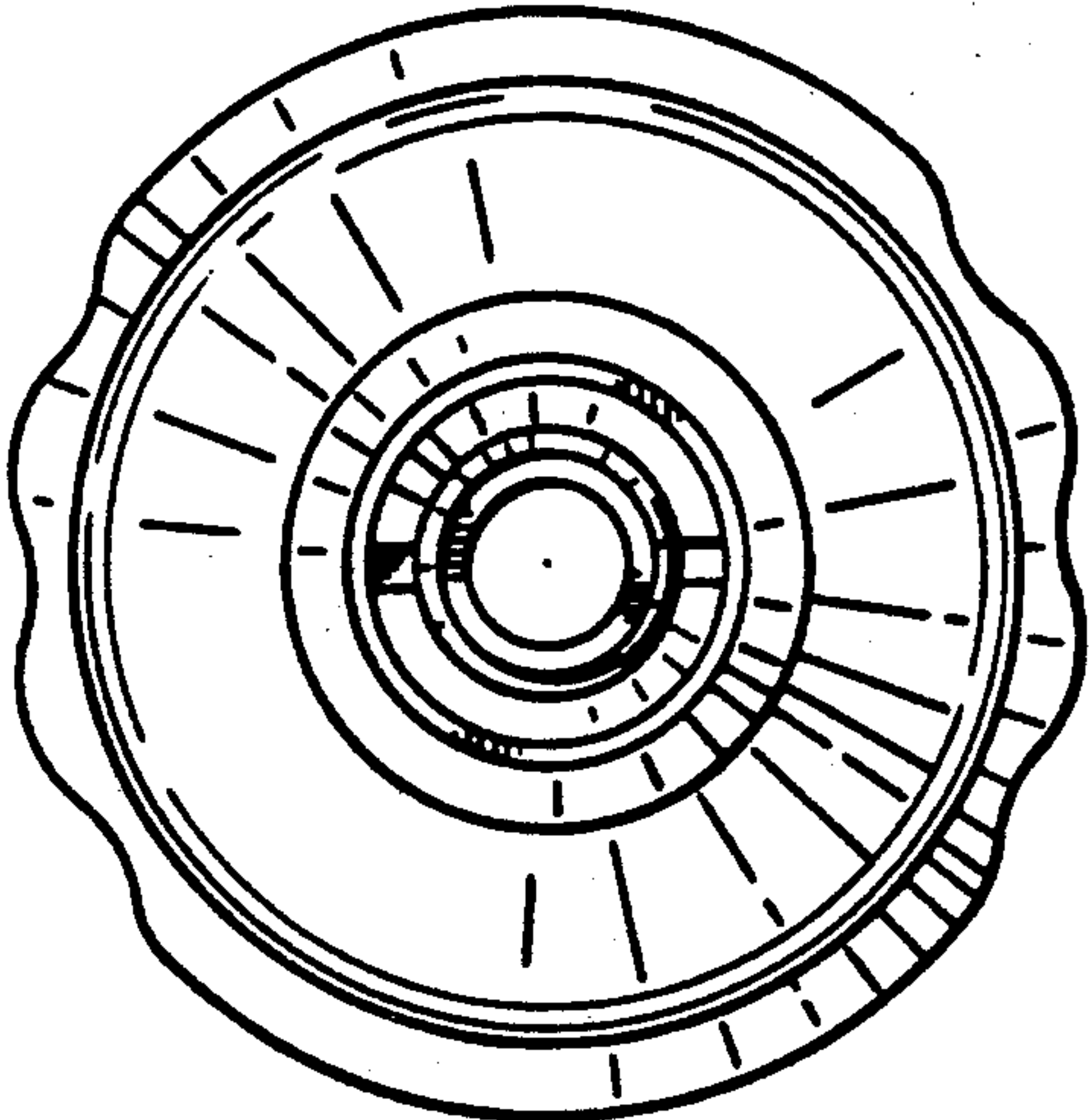


FIG. 2

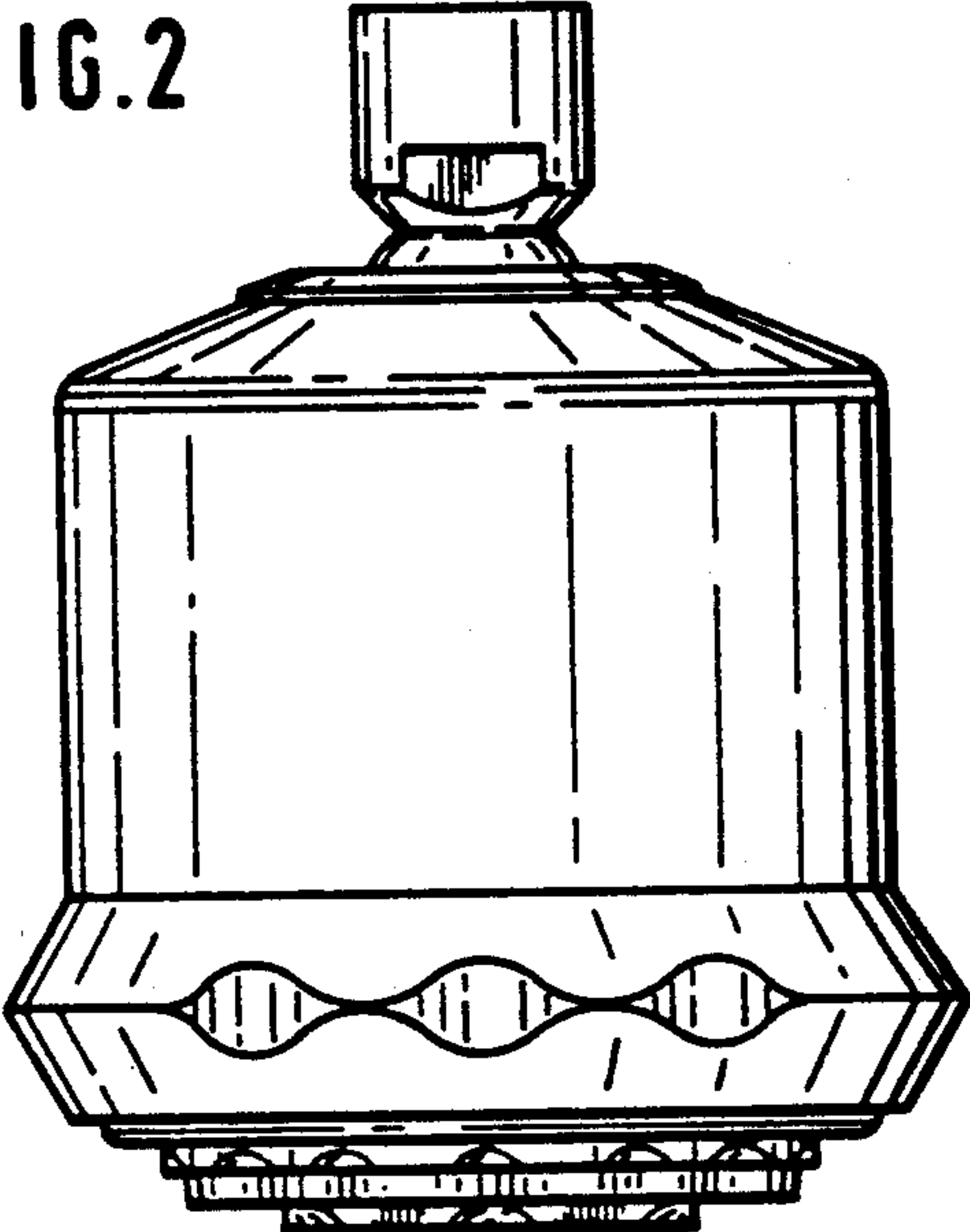


FIG. 3

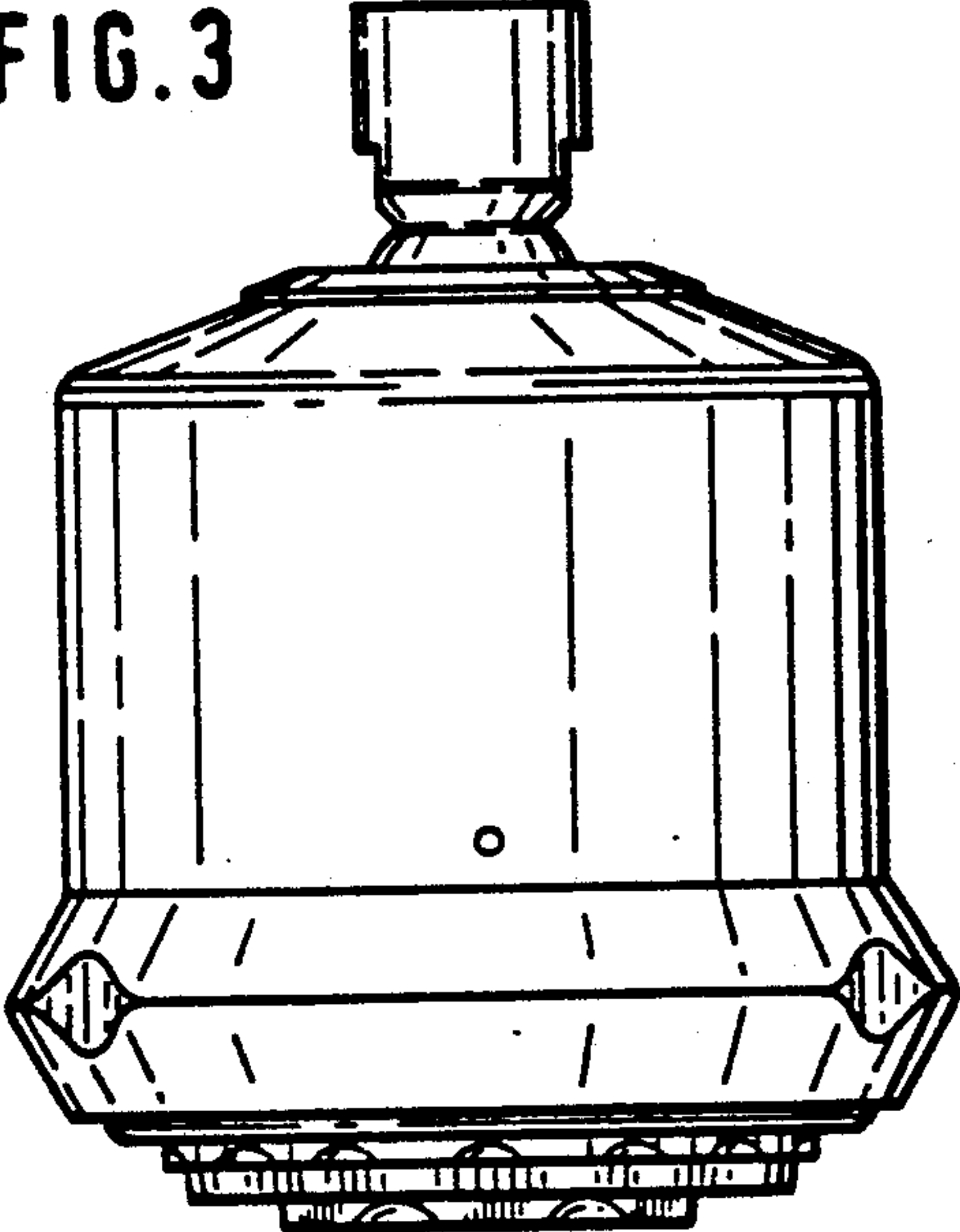


FIG. 4

