



US00D325769S

# United States Patent [19]

Haug et al.

[11] Patent Number: **Des. 325,769**

[45] Date of Patent: **\*\* Apr. 28, 1992**

[54] **SHOWER HEAD**

[75] Inventors: **Andreas Haug; Thomas Schoenherr,**  
both of Stuttgart, Fed. Rep. of  
Germany

[73] Assignee: **Hans Grohe GmbH & Co. KG, Fed.**  
Rep. of Germany

[\*] Notice: The portion of the term of this patent  
subsequent to Apr. 28, 2006 has been  
disclaimed.

[\*\*] Term: **14 Years**

[21] Appl. No.: **529,173**

[22] Filed: **May 25, 1990**

[30] **Foreign Application Priority Data**

Dec. 14, 1989 [DE] Fed. Rep. of  
Germany ..... M8908688.0

[52] U.S. Cl. .... **D23/213**

[58] Field of Search ..... **D23/213, 223-229;**  
**239/276, 280-283, 288.5, 310, 443-449,**  
**456-460, 525, 550-552, 556-559, 567, 581.1,**  
**568-569; 4/191-192, 567-570, 599-603, 596,**  
**615**

[56] **References Cited**

**U.S. PATENT DOCUMENTS**

D. 253,245 10/1979 Allenbaugh, Jr. .... D23/213

D. 254,627	4/1980	Kelley et al. ....	D23/223
D. 295,889	5/1988	Haug et al. ....	D23/229
D. 296,002	5/1988	Haug et al. ....	D23/229
D. 311,948	11/1990	Mikol ....	D23/213
3,112,073	11/1963	Larson et al. ....	239/446
4,754,928	7/1988	Rogers et al. ....	239/447 X

**OTHER PUBLICATIONS**

Hansgrohe, D-7622 Schiltach, Schwarzwald—Catalog  
of shower products.

2 pages of foreign patent document DM/005797 dated  
Sep. 12, 1985 illustrating shower heads.

*Primary Examiner*—Susan J. Lucas

*Assistant Examiner*—M. H. Tung

*Attorney, Agent, or Firm*—Eckert Seamans Cherin &  
Mellott

[57] **CLAIM**

The ornamental design for a shower head, as shown and  
described.

**DESCRIPTION**

FIG. 1 is a perspective view of a shower head showing  
our new design;

FIG. 2 is a side elevational view thereof;

FIG. 3 is a front elevational view thereof;

FIG. 4 is a bottom plan view thereof;

FIG. 5 is a top plan view thereof;

FIG. 6 is an opposite side elevational view thereof; and,

FIG. 7 is a rear elevational view thereof.

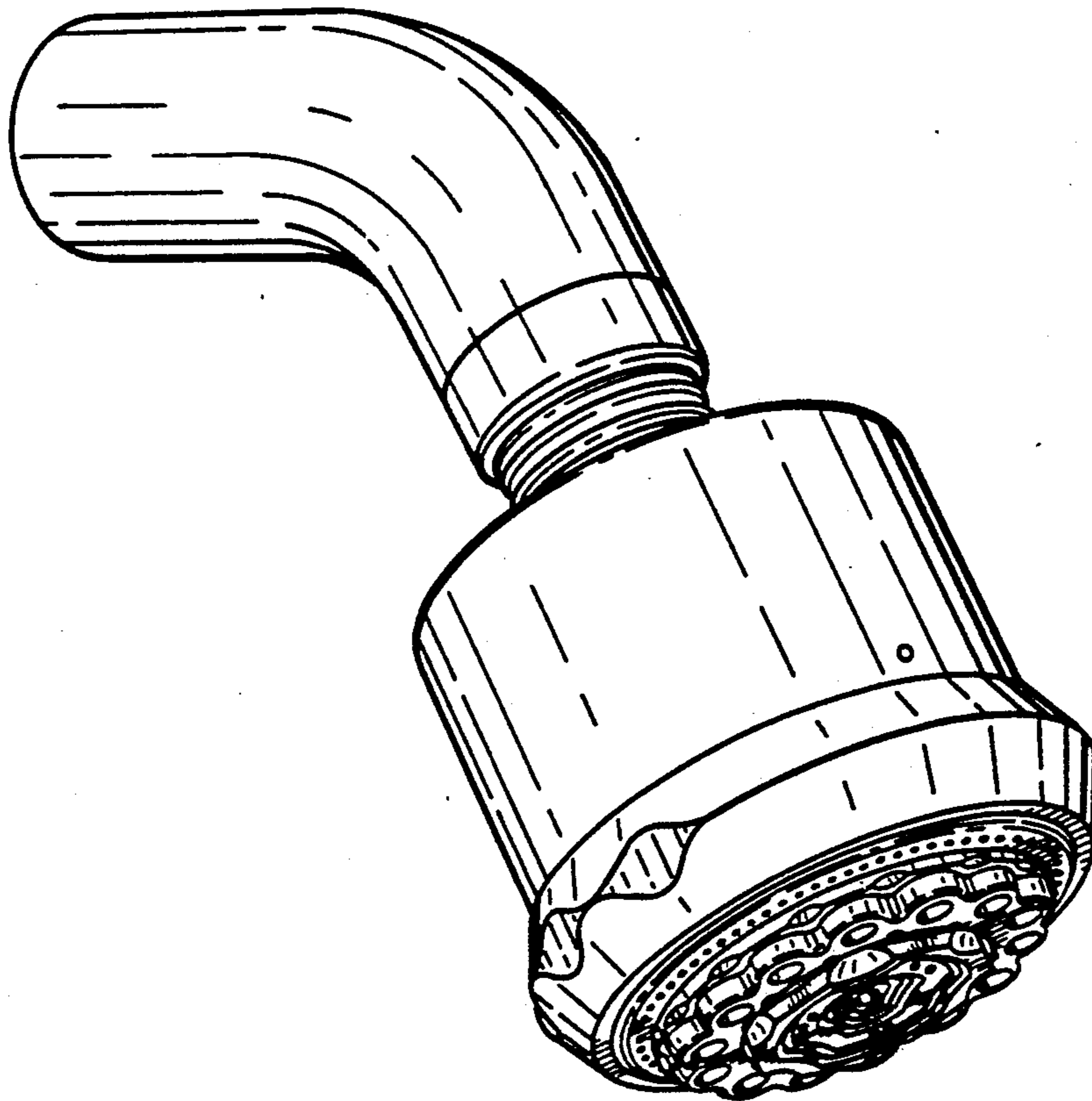
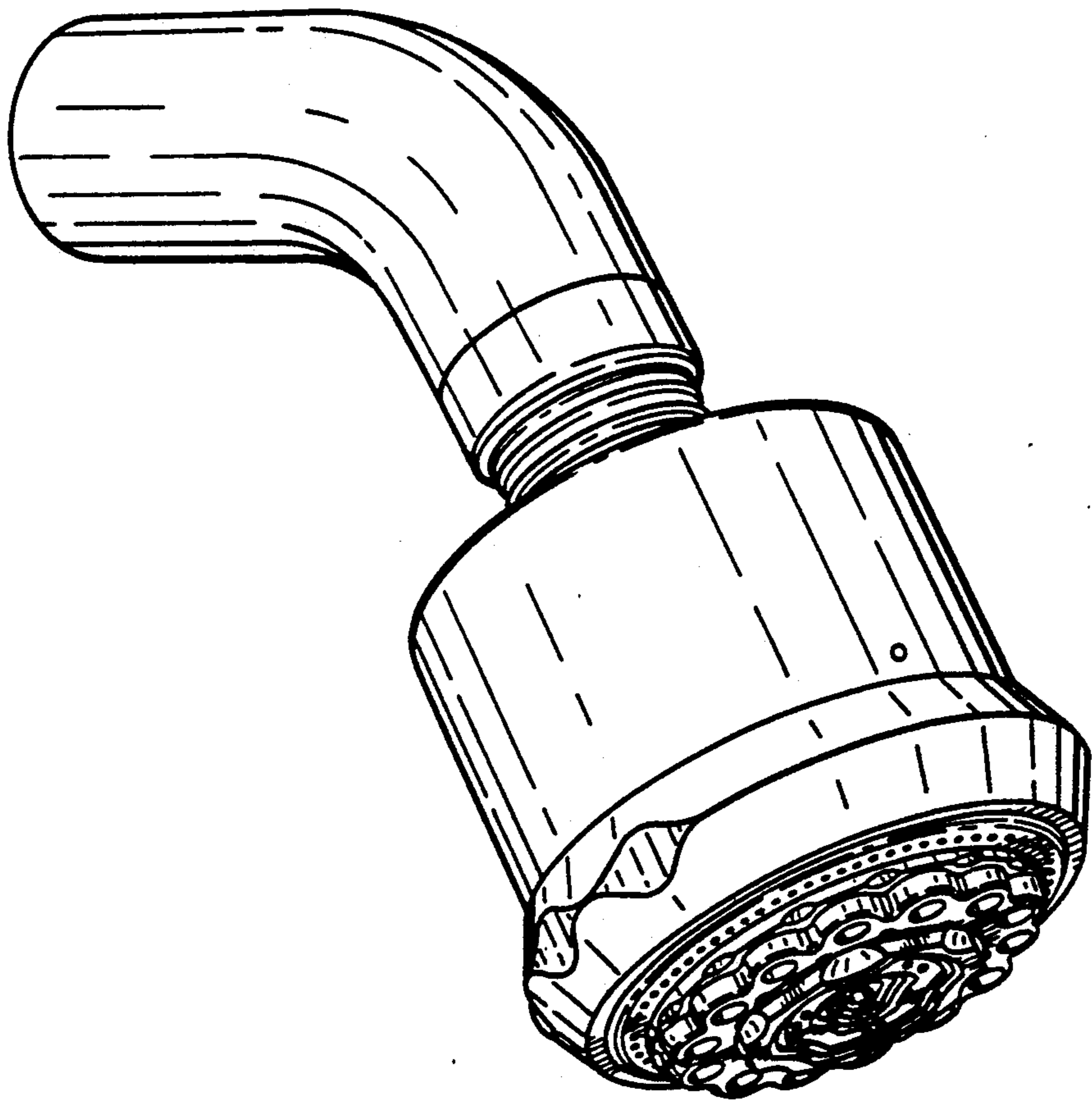


FIG. 1



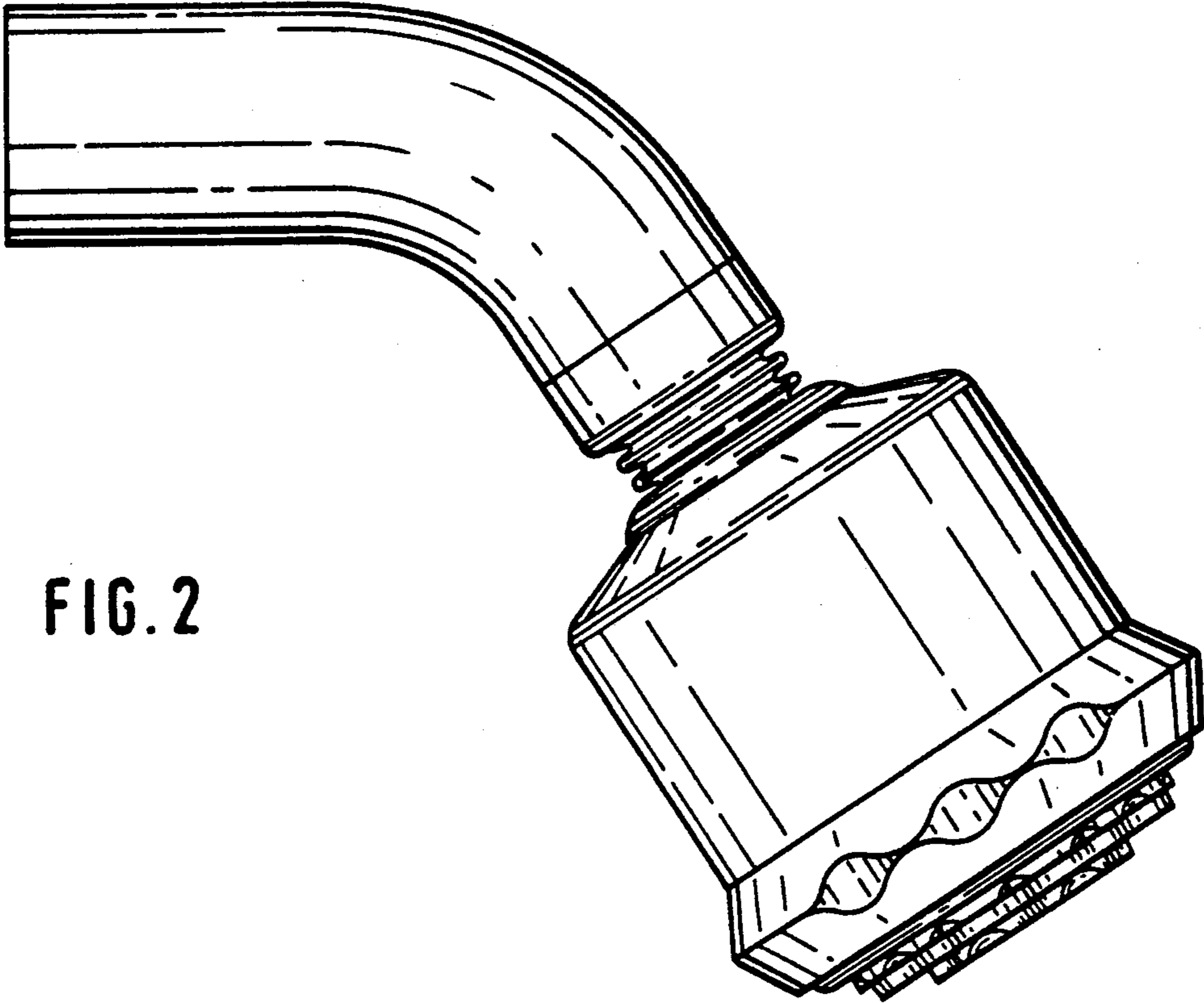


FIG. 2

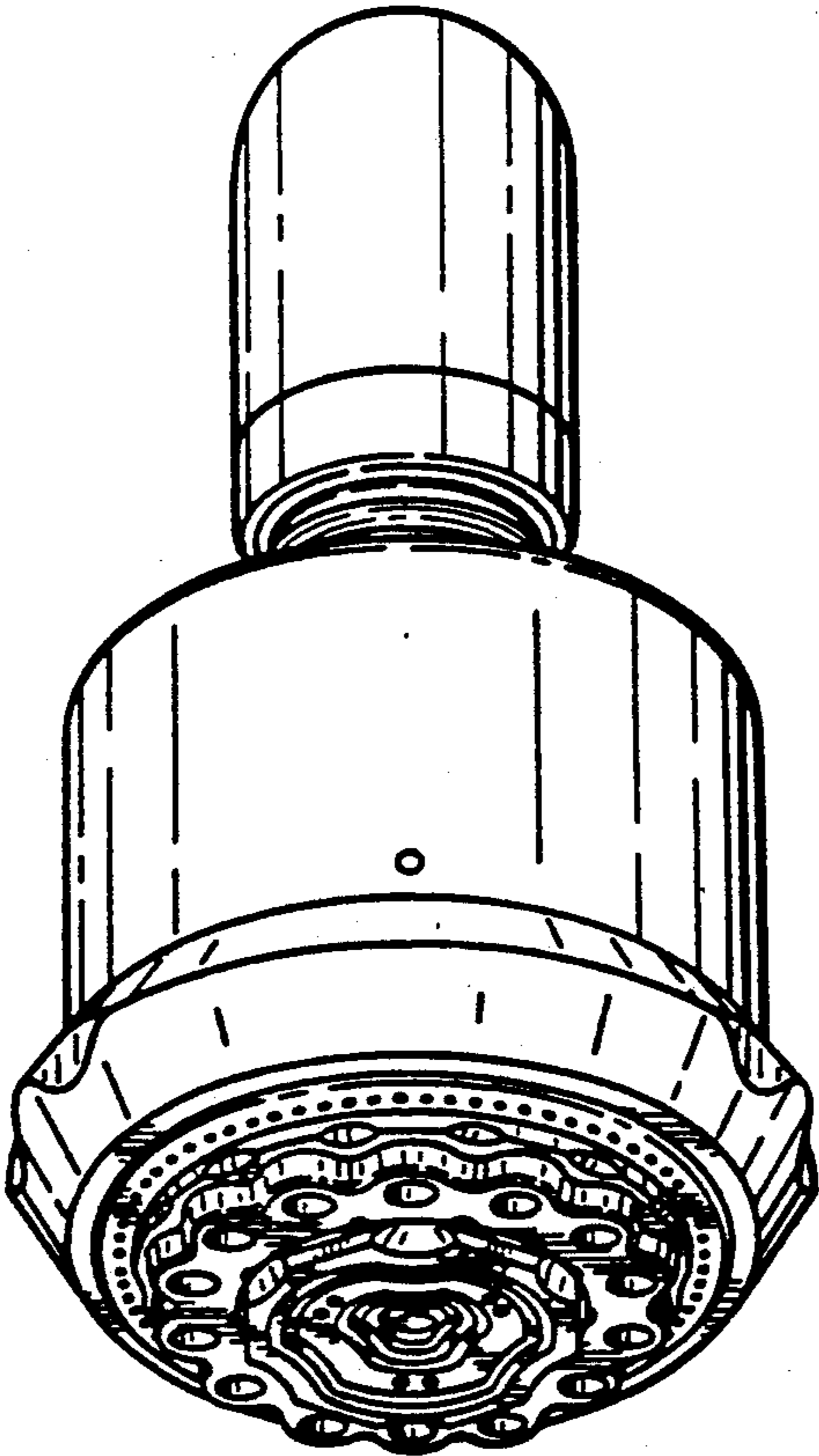


FIG. 3

FIG. 4

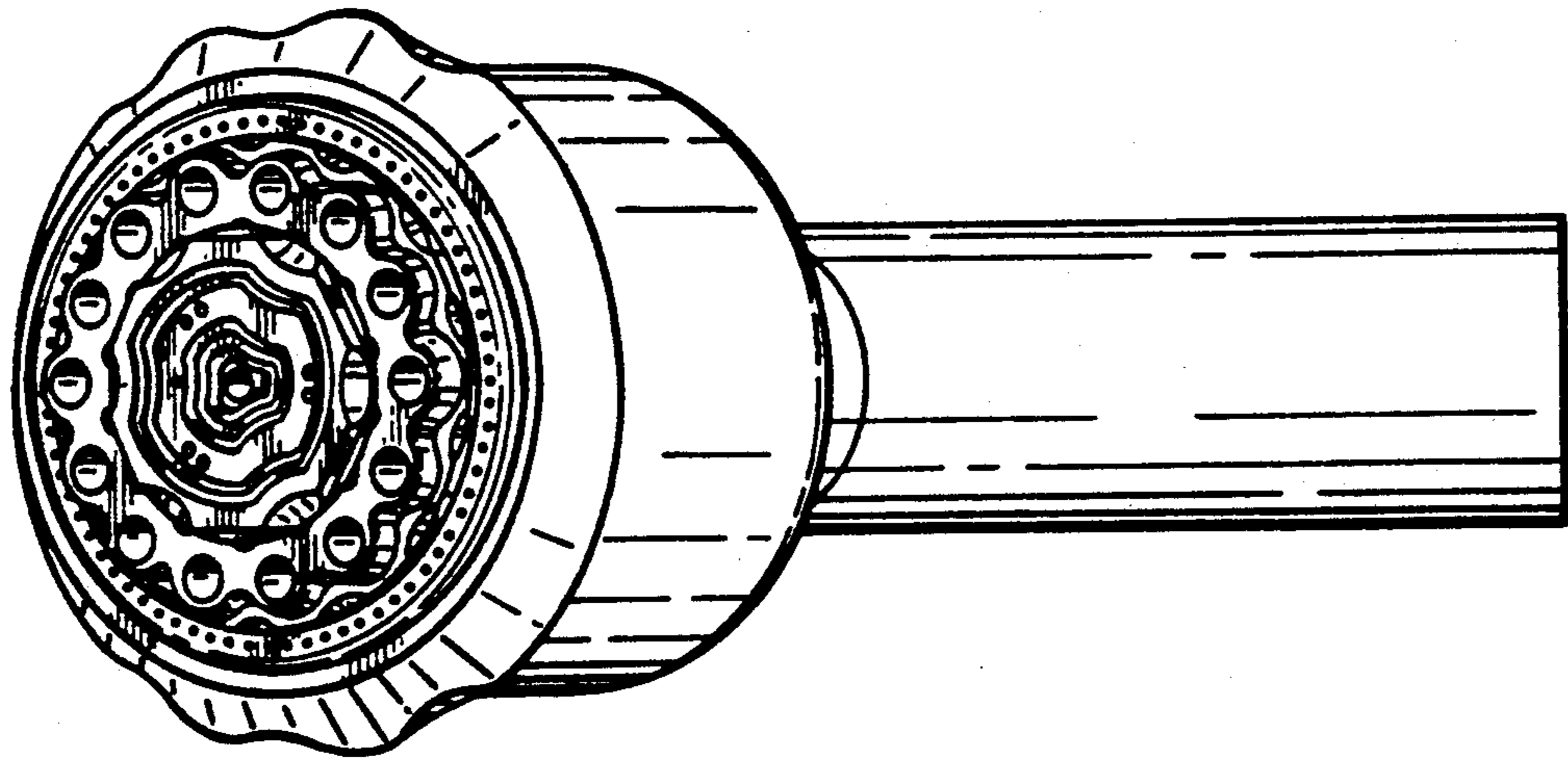
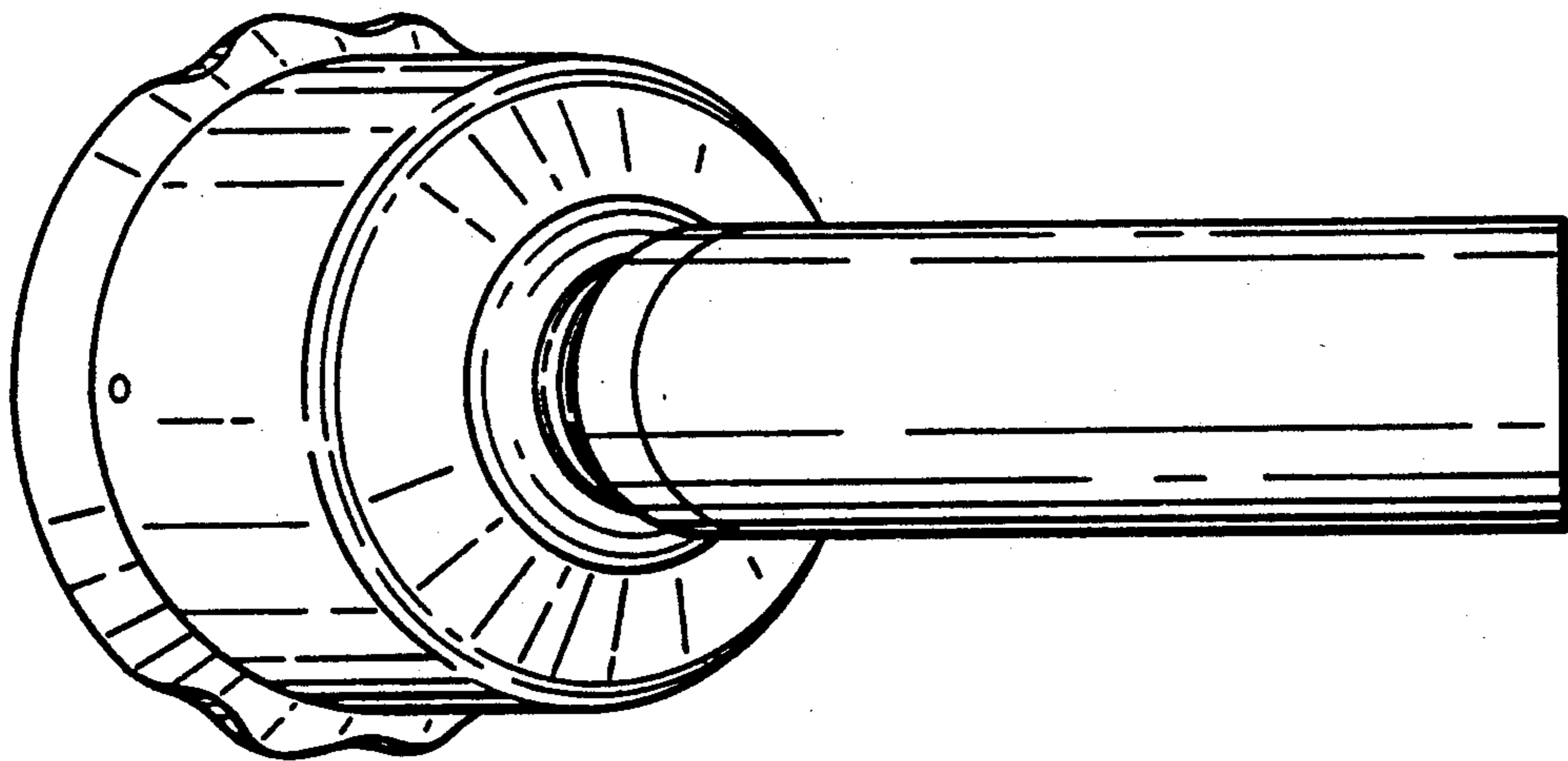


FIG. 5



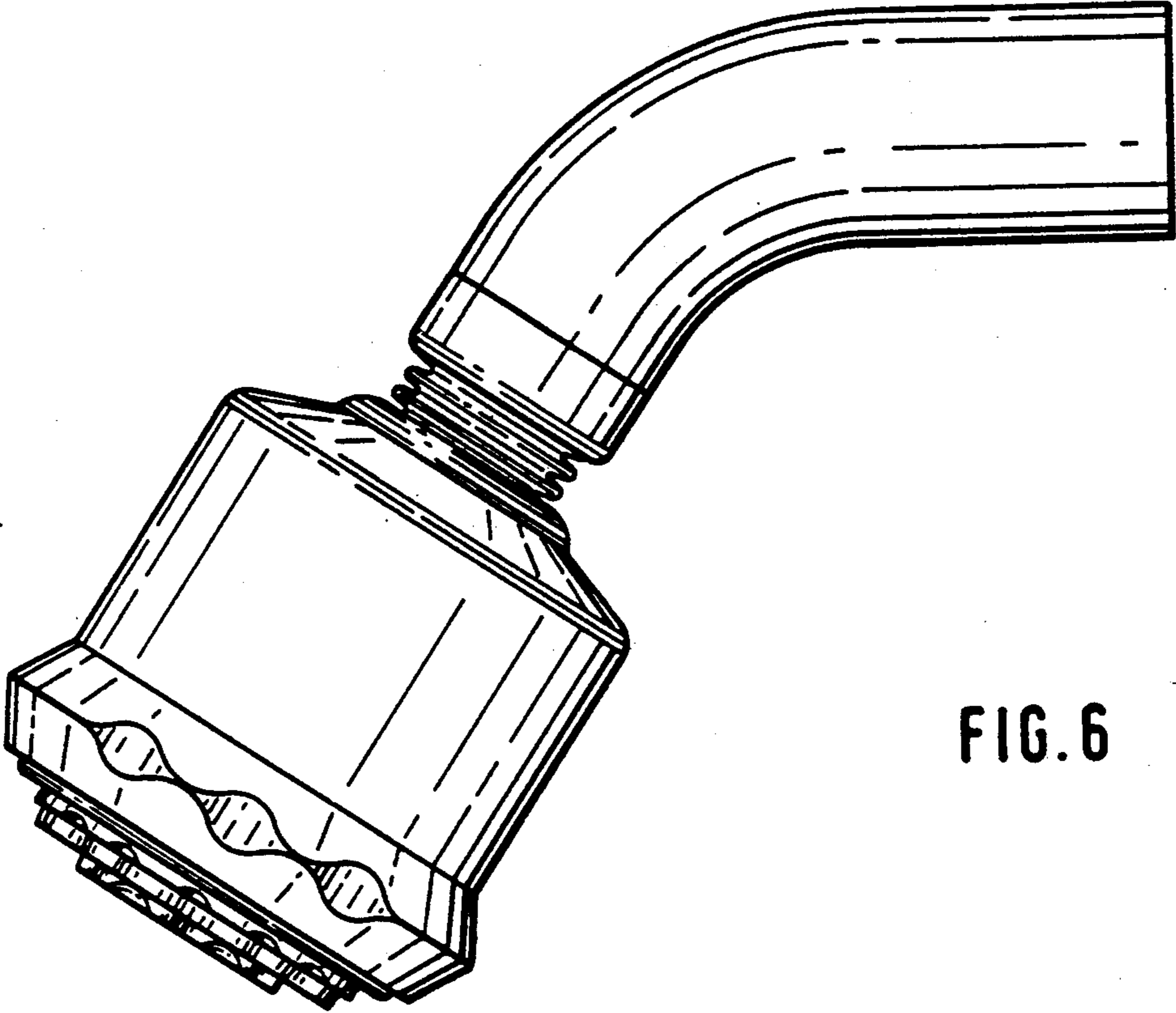


FIG. 6

FIG. 7

