



US00D325768S

United States Patent [19]

[11] Patent Number: **Des. 325,768**

Hankammer

[45] Date of Patent: **** Apr. 28, 1992**

[54] WATERING CAN

[75] Inventor: **Heinz Hankammer, Taunusstein, Fed. Rep. of Germany**

[73] Assignee: **Brita Wasser-Filter-System AG, Eschenbach, Switzerland**

[**] Term: **14 Years**

[21] Appl. No.: **672,423**

[22] Filed: **Mar. 20, 1991**

Related U.S. Application Data

[62] Division of Ser. No. 178,520, Apr. 7, 1988, Pat. No. Des. 318,095.

Foreign Application Priority Data

Oct. 8, 1987 [DE] Fed. Rep. of Germany URA1431/87

[52] U.S. Cl. **D23/212**

[58] Field of Search D23/200, 211-212, D23/207-209; 220/855 D; 222/465.1, 468, 565, 567, 571-573; 239/375-379; D7/300

References Cited

U.S. PATENT DOCUMENTS

D. 228,655 10/1973 Frascone D23/207
D. 241,248 8/1976 Bürke D23/212

D. 256,152 7/1980 Darnell D23/212
D. 266,018 8/1982 Dilyard D23/212
D. 278,928 5/1985 Gerber D23/212
D. 295,547 3/1988 Cuning D23/212
D. 312,863 12/1990 Hankammer D23/209
2,869,724 1/1959 McDevitt D23/207 X
4,230,238 10/1980 Wilson 222/158

OTHER PUBLICATIONS

Williams-Sonoma items watering cans, pp. 16, 28.

Primary Examiner—Susan J. Lucas

Assistant Examiner—M. H. Tung

Attorney, Agent, or Firm—Dann, Dorfman, Herrell and Skillman

CLAIM

[57] The ornamental design for a watering can, as shown and described.

DESCRIPTION

FIG. 1 is a top perspective view of a water can showing my new design;

FIG. 2 is a cross-sectional view thereof;

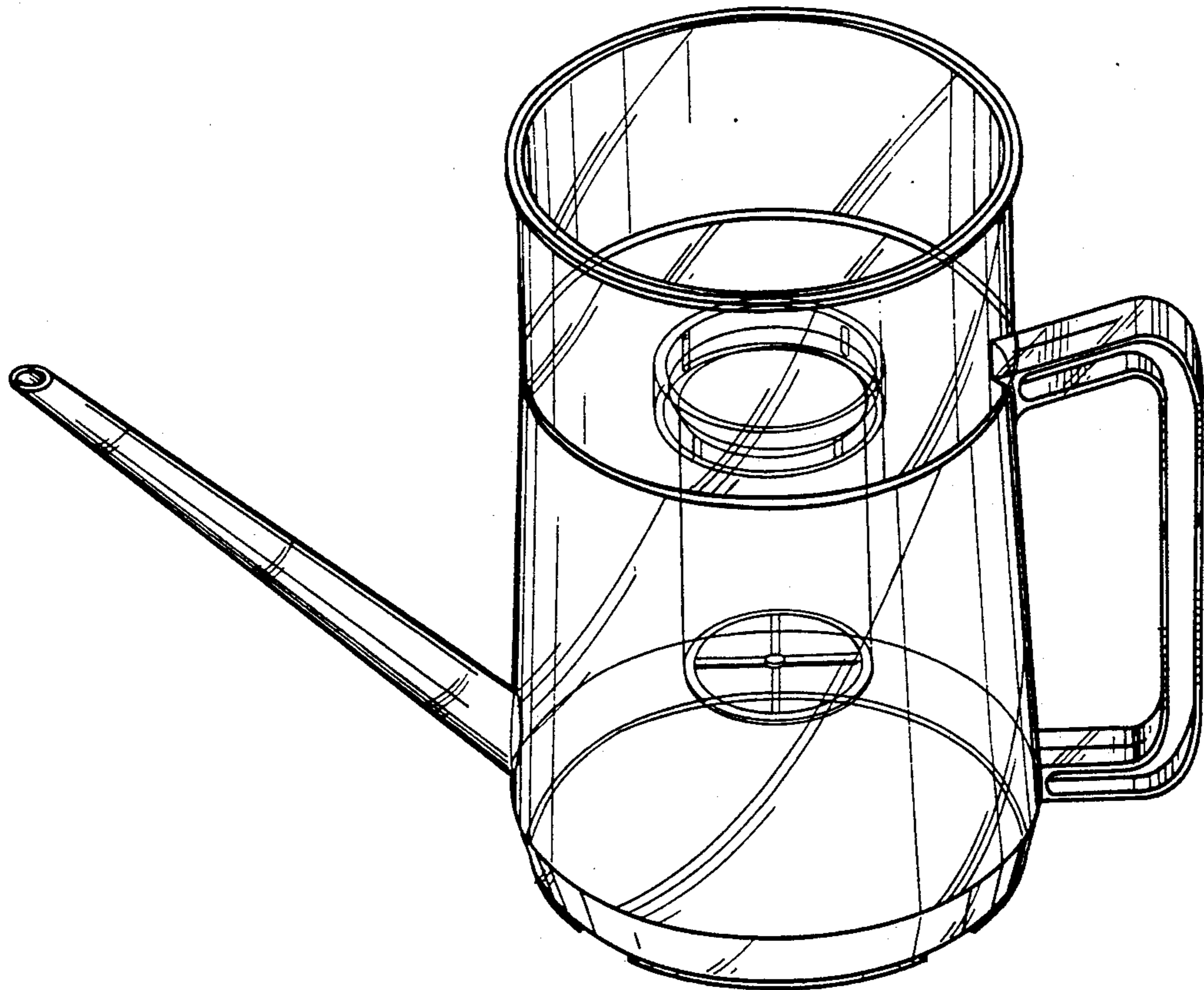
FIG. 3 is a front elevational view thereof, the rear view being a mirror image;

FIG. 4 is a right side elevational view thereof;

FIG. 5 is a left side elevational view thereof;

FIG. 6 is a bottom plan view thereof; and,

FIG. 7 is a top plan view of the watering can shown in FIG. 3.



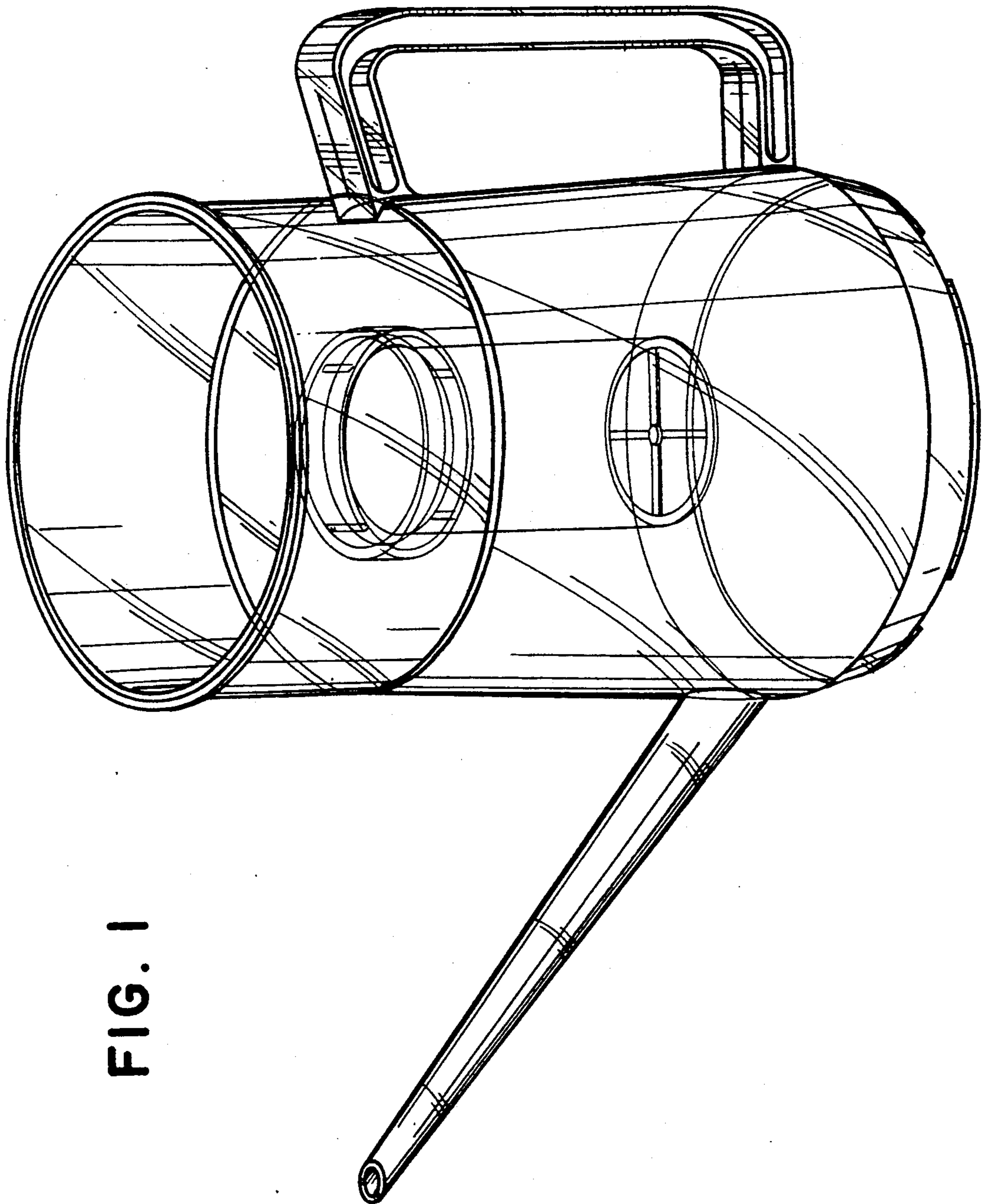


FIG. 1

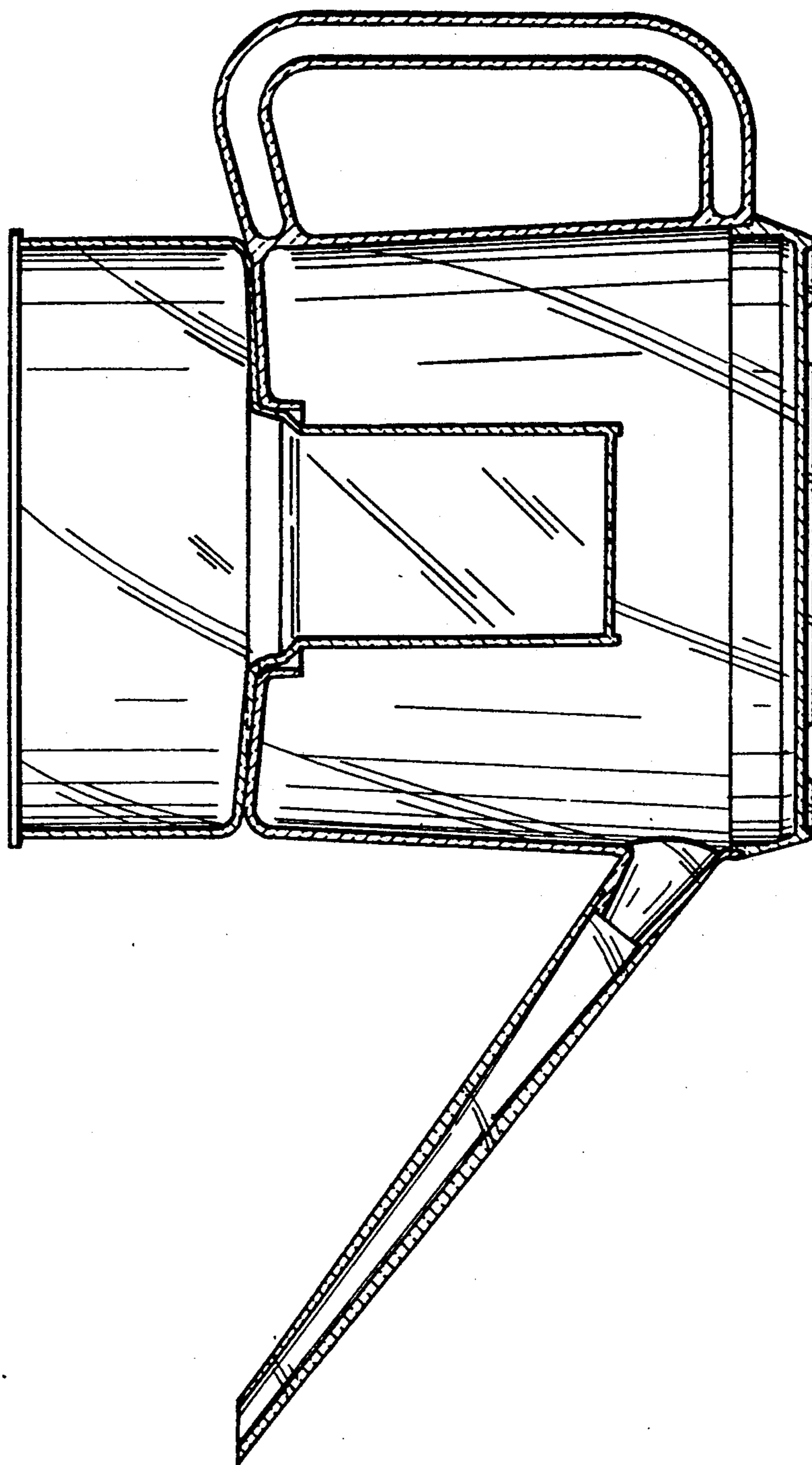


FIG. 2

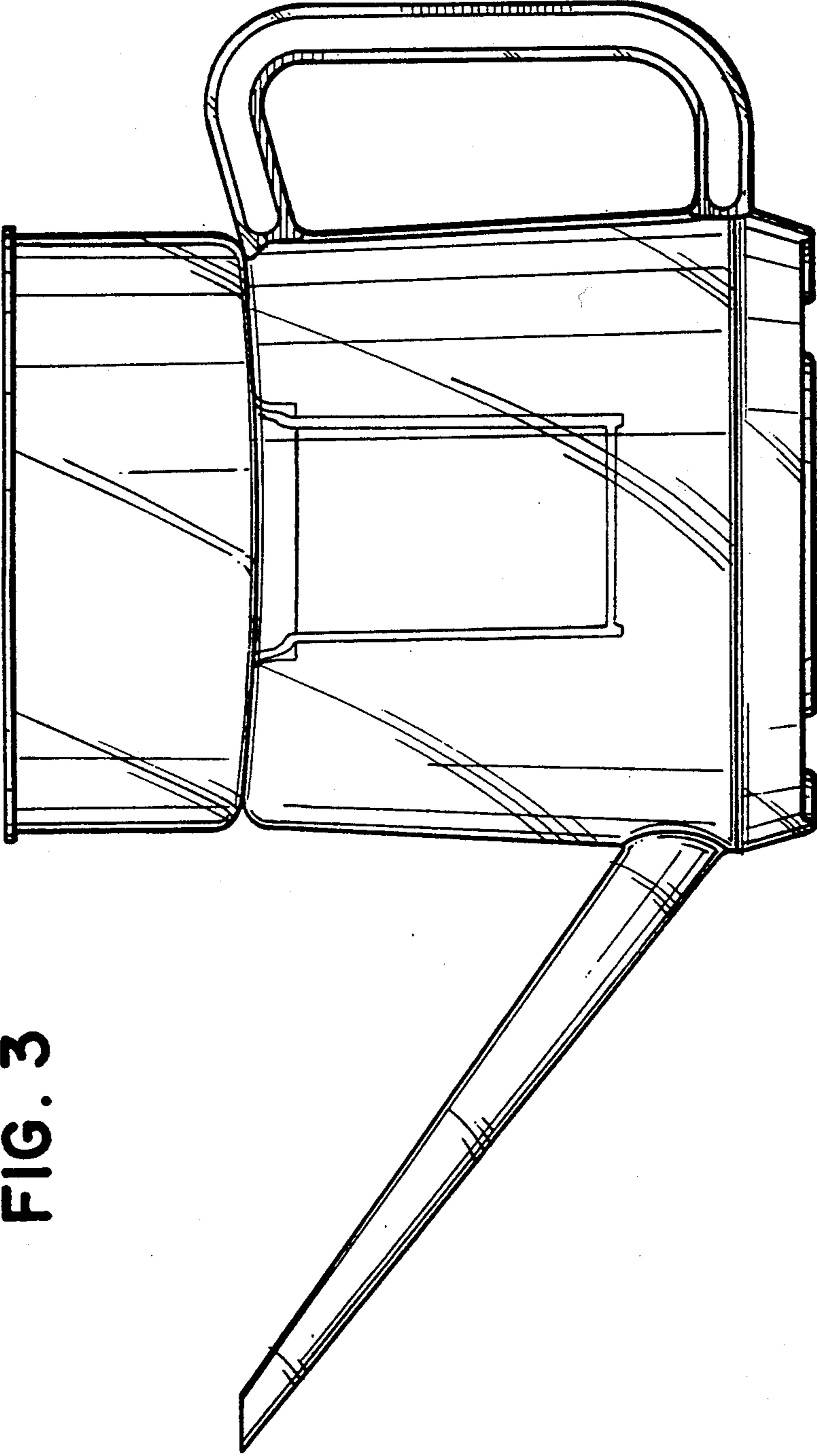


FIG. 3

FIG. 5

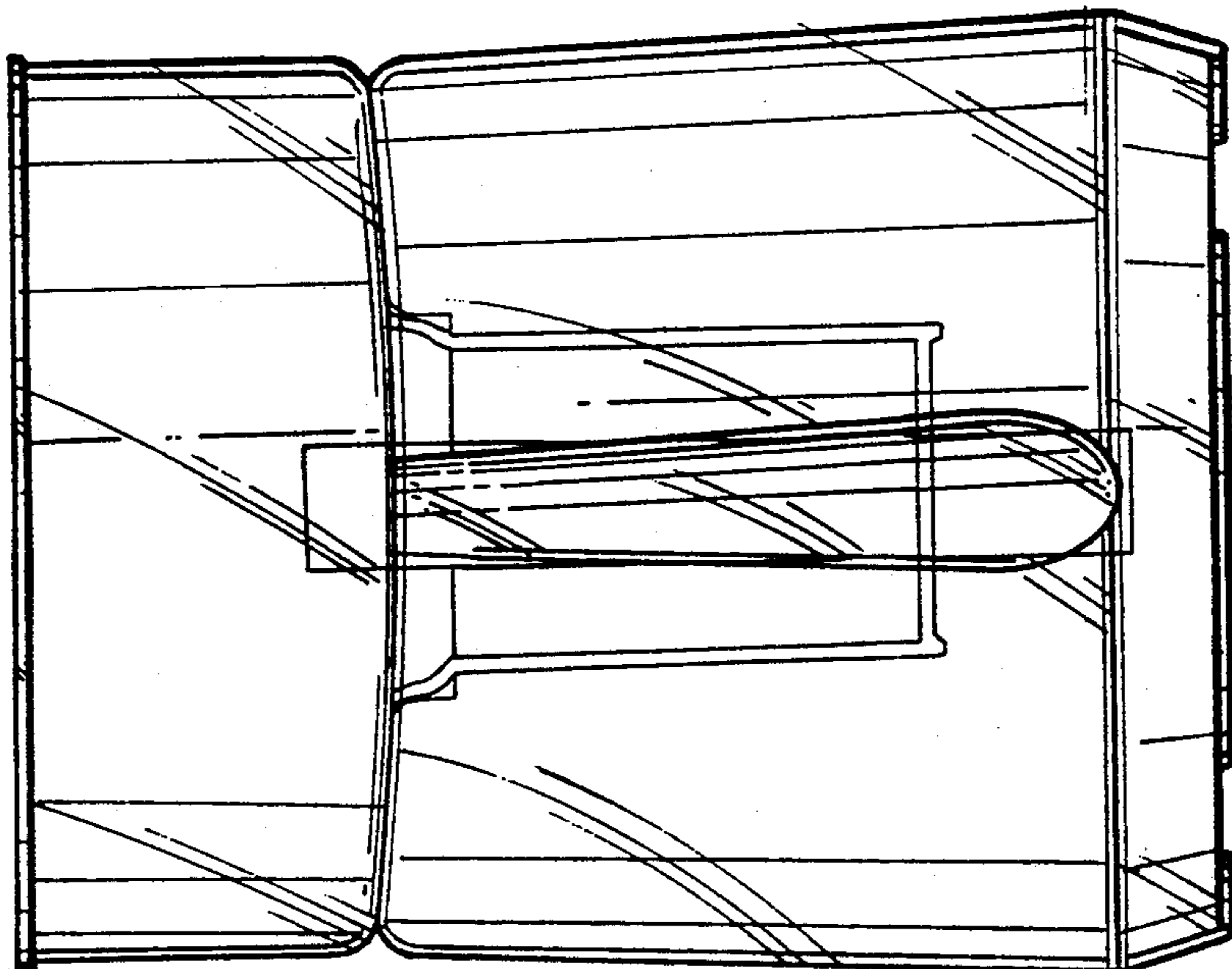
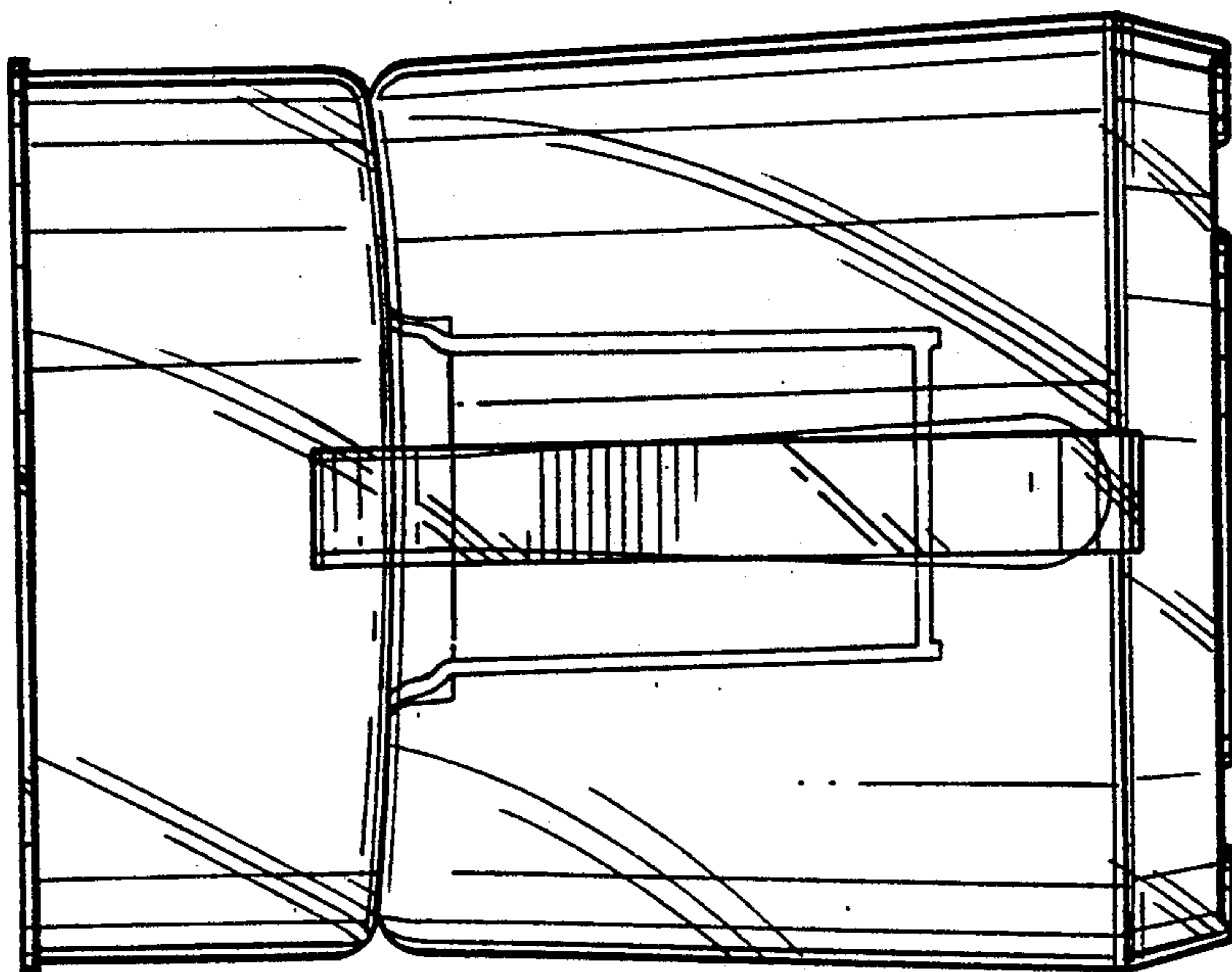


FIG. 4



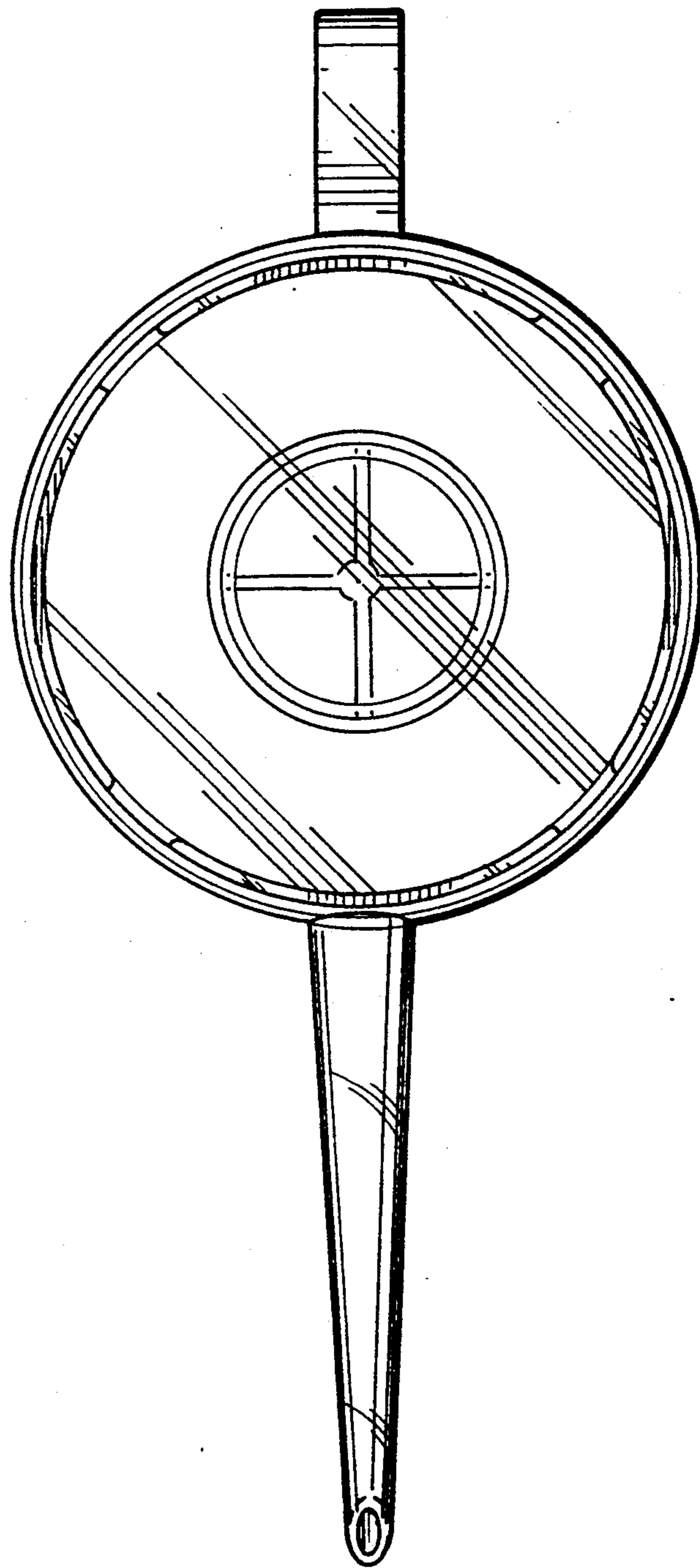


FIG. 6

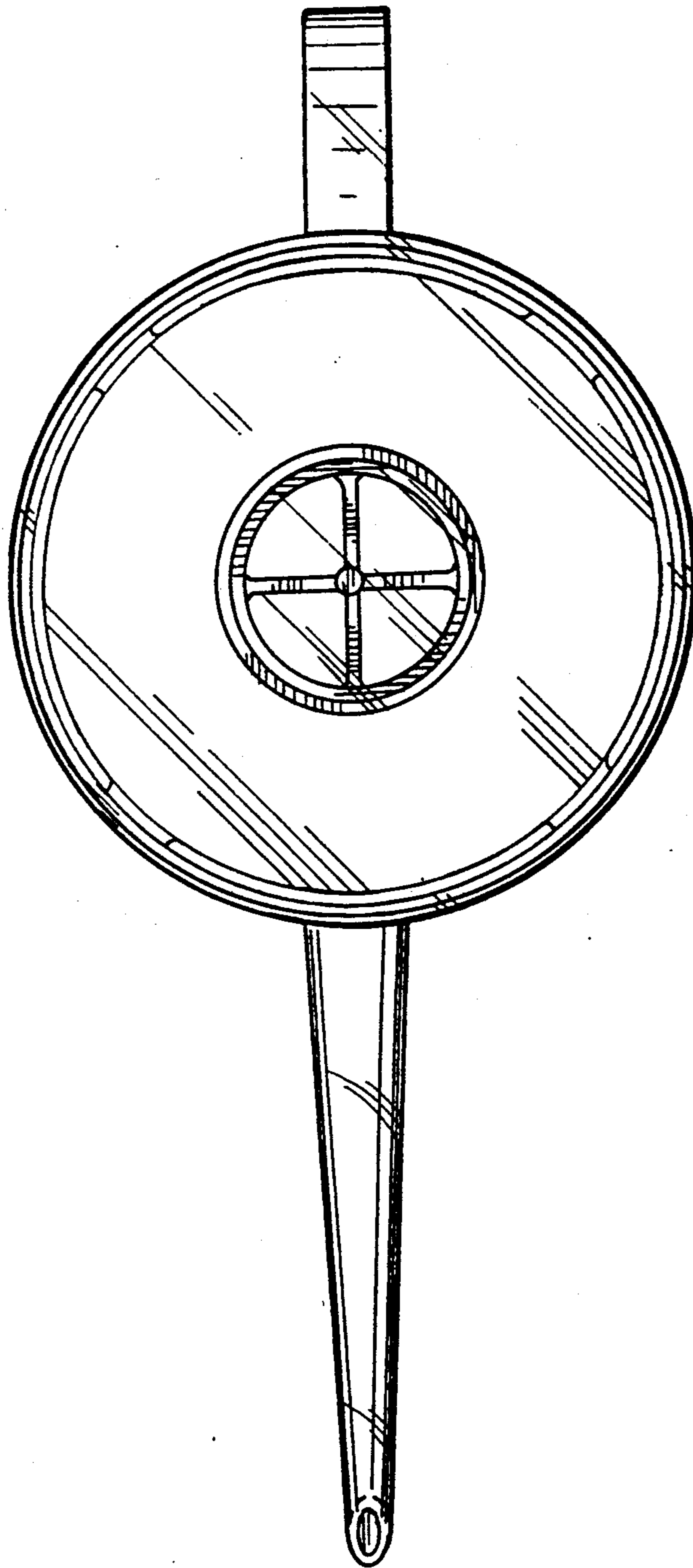


FIG. 7