



US00D325764S

# United States Patent [19]

[11] Patent Number: **Des. 325,764**

Hebbard

[45] Date of Patent: **\*\* Apr. 28, 1992**

[54] **GYROSCOPE EXERCISER**

4,703,929 11/1987 Reed ..... 272/144

[76] Inventor: **Richard Hebbard, 97 Spruce La.,  
Dover, N.H. 03820**

*Primary Examiner*—Bernard Ansher  
*Assistant Examiner*—Sandra Morris  
*Attorney, Agent, or Firm*—Lee A. Strimbeck

[\*\*] Term: **14 Years**

[21] Appl. No.: **442,177**

[57] **CLAIM**

[22] Filed: **Nov. 28, 1989**

The ornamental design for a gyroscope exerciser, as shown and described.

[52] U.S. Cl. .... **D21/191**

[58] Field of Search ..... **D21/191, 193; 272/134,  
272/136, 144, 903**

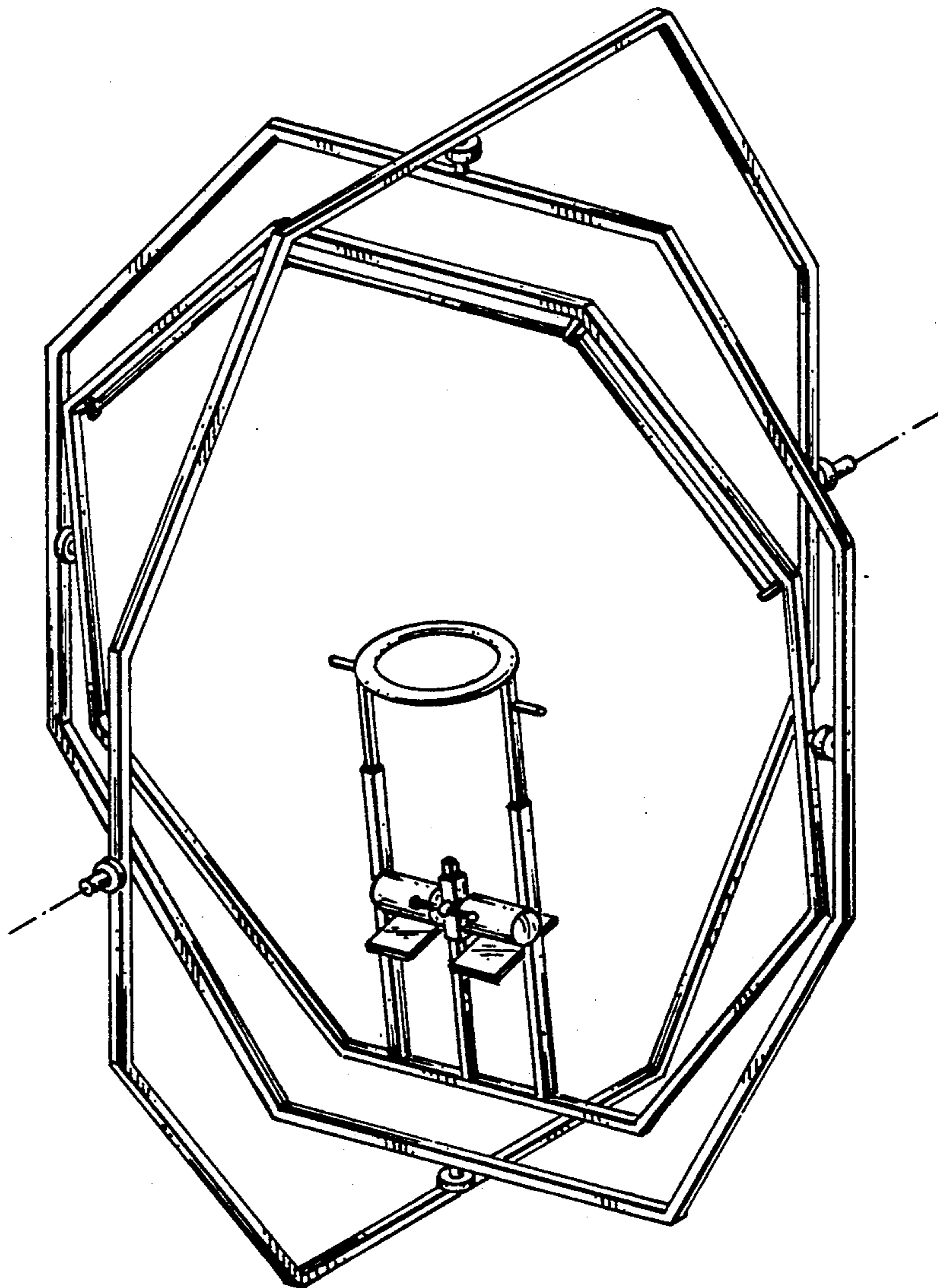
**DESCRIPTION**

[56] **References Cited**

**U.S. PATENT DOCUMENTS**

D. 280,652	9/1985	de Buck	.....	D21/191
D. 317,488	6/1991	Inada	.....	D21/191
4,546,972	10/1985	Goyer	.....	272/144
4,672,697	6/1987	Schürch	.....	272/144

FIG. 1 is a front perspective view of a gyroscope exerciser, showing my new design;  
FIG. 2 is a rear elevational view thereof;  
FIG. 3 is a top plan view thereof;  
FIG. 4 is a right side elevational view thereof, the left side being a mirror image; and,  
FIG. 5 is a top right perspective view thereof, shown in an alternative position.



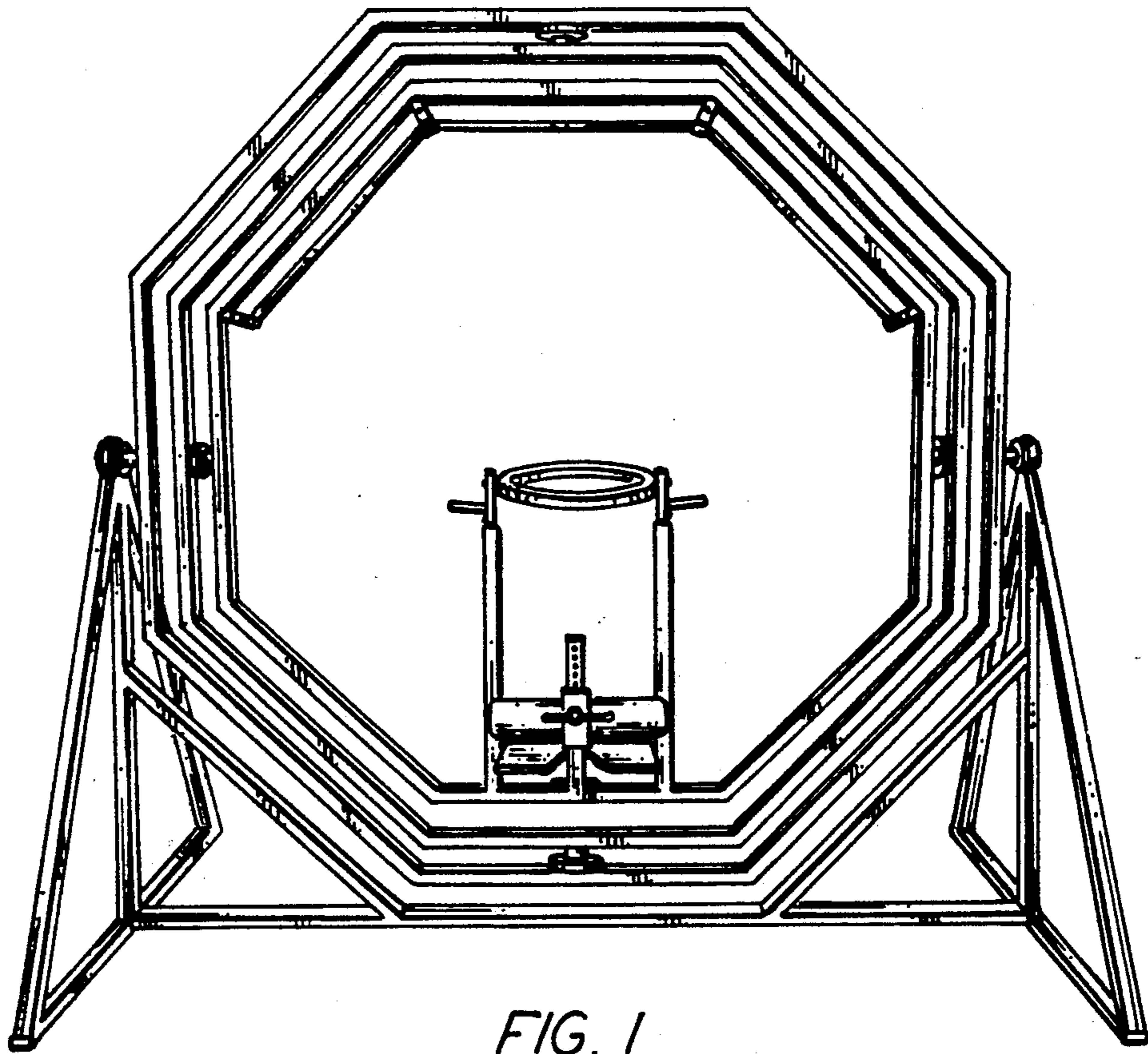


FIG. 1

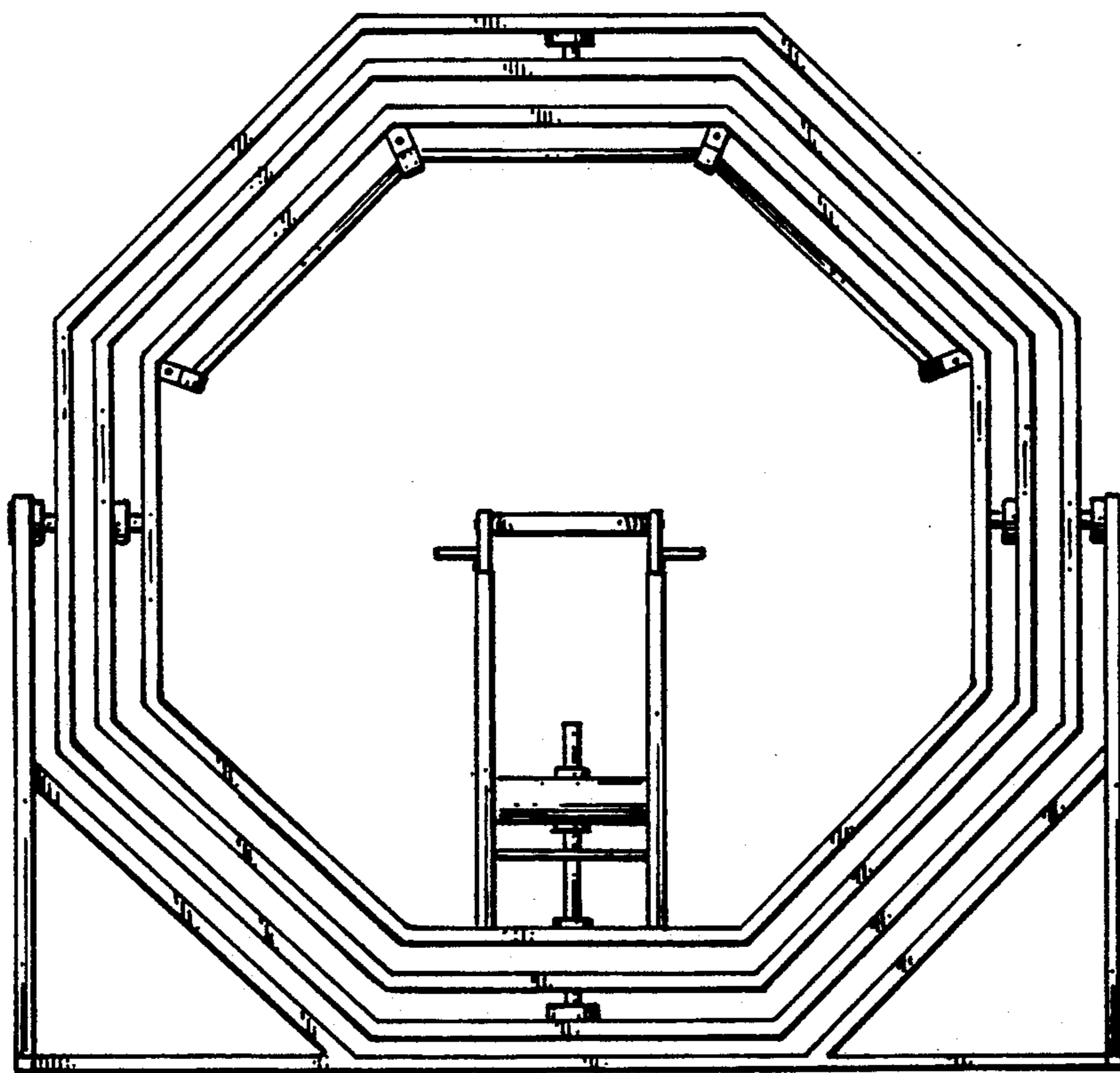


FIG. 2

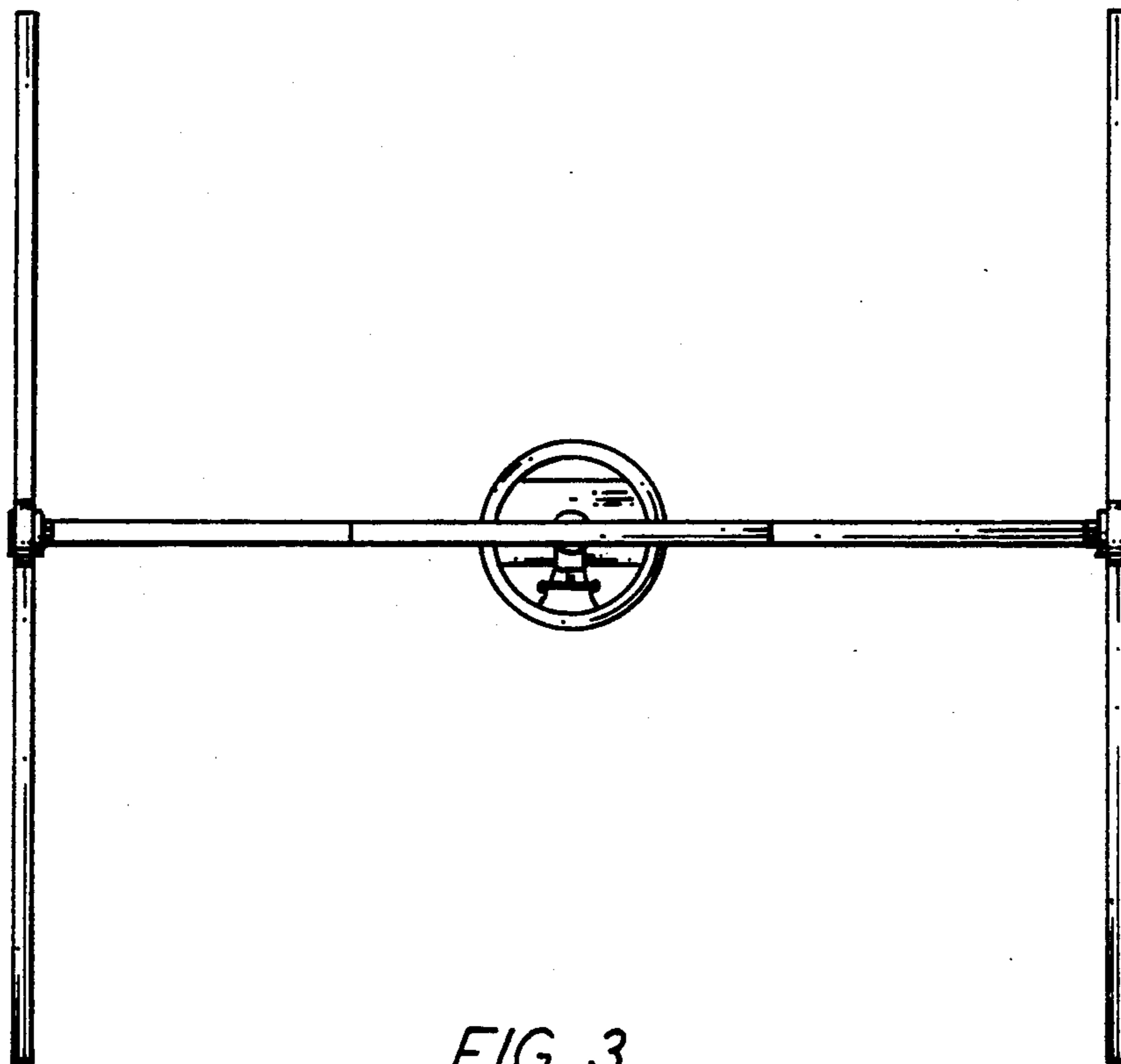


FIG. 3

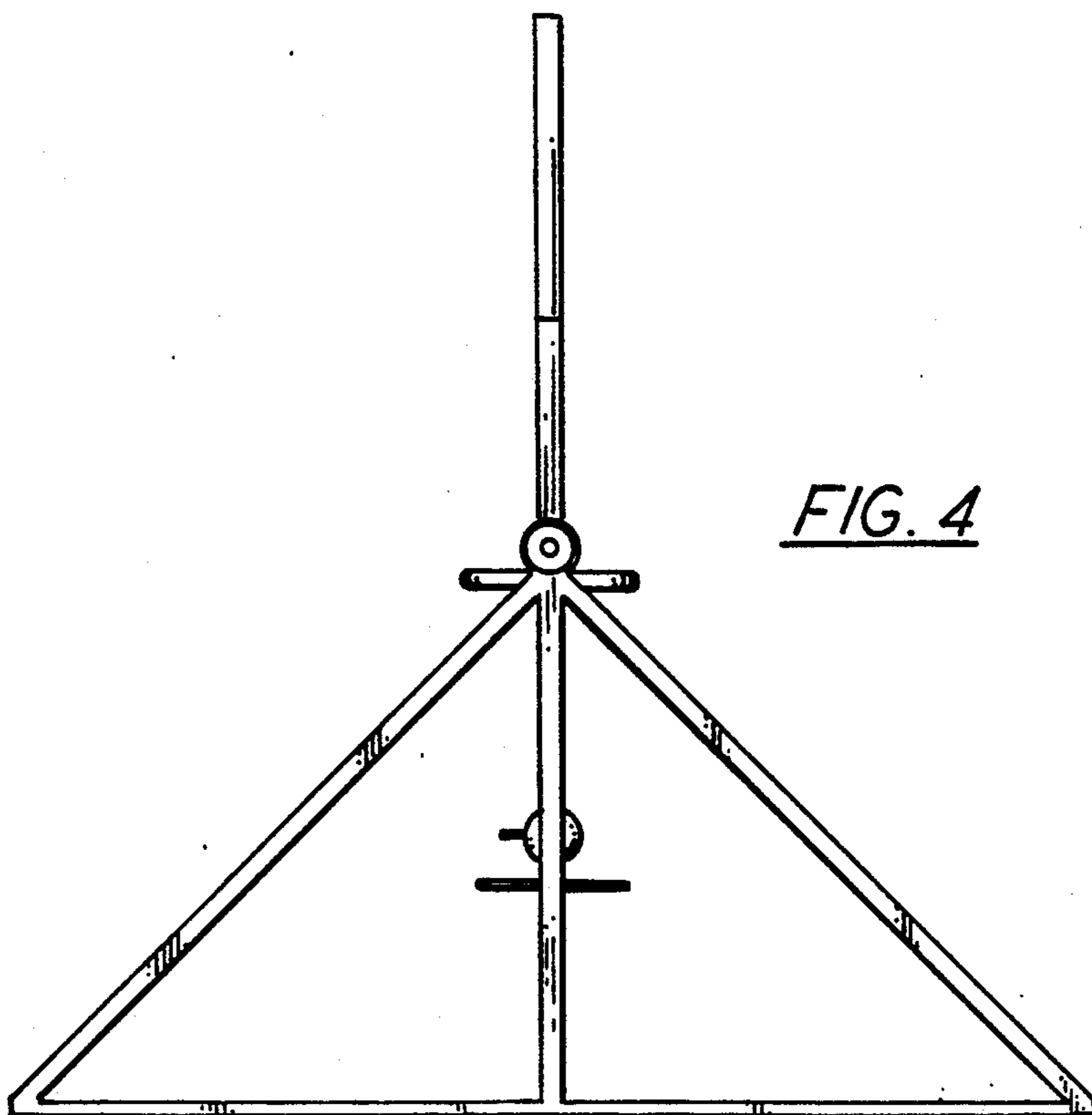


FIG. 4

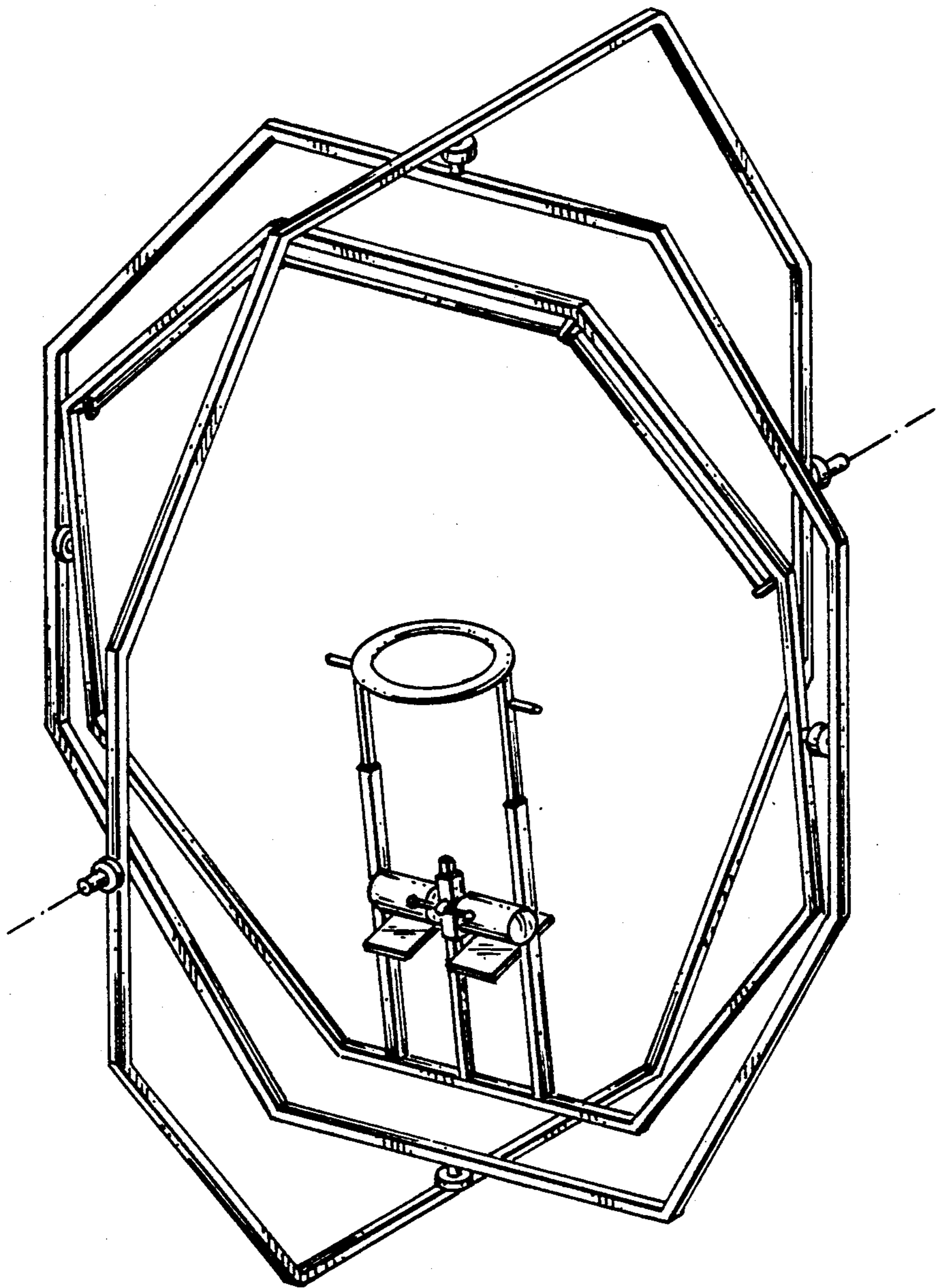


FIG. 5