



US00D325758S

United States Patent [19] Black

[11] Patent Number: **Des. 325,758**

[45] Date of Patent: **** Apr. 28, 1992**

[54] MODEL TRAIN TRACK

[76] Inventor: **Joseph E. Black, 24561 Ladera Dr.,
Mission Viejo, Calif. 92691**

[**] Term: **14 Years**

[21] Appl. No.: **352,911**

[22] Filed: **May 17, 1989**

[52] U.S. Cl. **D21/143**

[58] Field of Search **D21/143, 141;
104/DIG. 1, 124, 126; 238/10 E, 10 F; 213/75
TC**

892,665	7/1908	Ives	238/10 E
1,457,771	6/1923	Furgusson	238/10 E
1,783,648	12/1930	Heyner	104/124
1,864,323	6/1932	Sheridan	104/124
2,919,515	1/1960	Connell	238/10 E
3,225,704	12/1965	Gilvar et al.	104/124

Primary Examiner—Bernard Ansher

Assistant Examiner—R. Barkai

Attorney, Agent, or Firm—Knobbe, Martens, Olson &
Bear

[57] CLAIM

The ornamental design for a model train track, as shown and described.

DESCRIPTION

FIG. 1 is a bottom perspective view of a model train track showing my new design;

FIG. 2 is a top perspective view thereof;

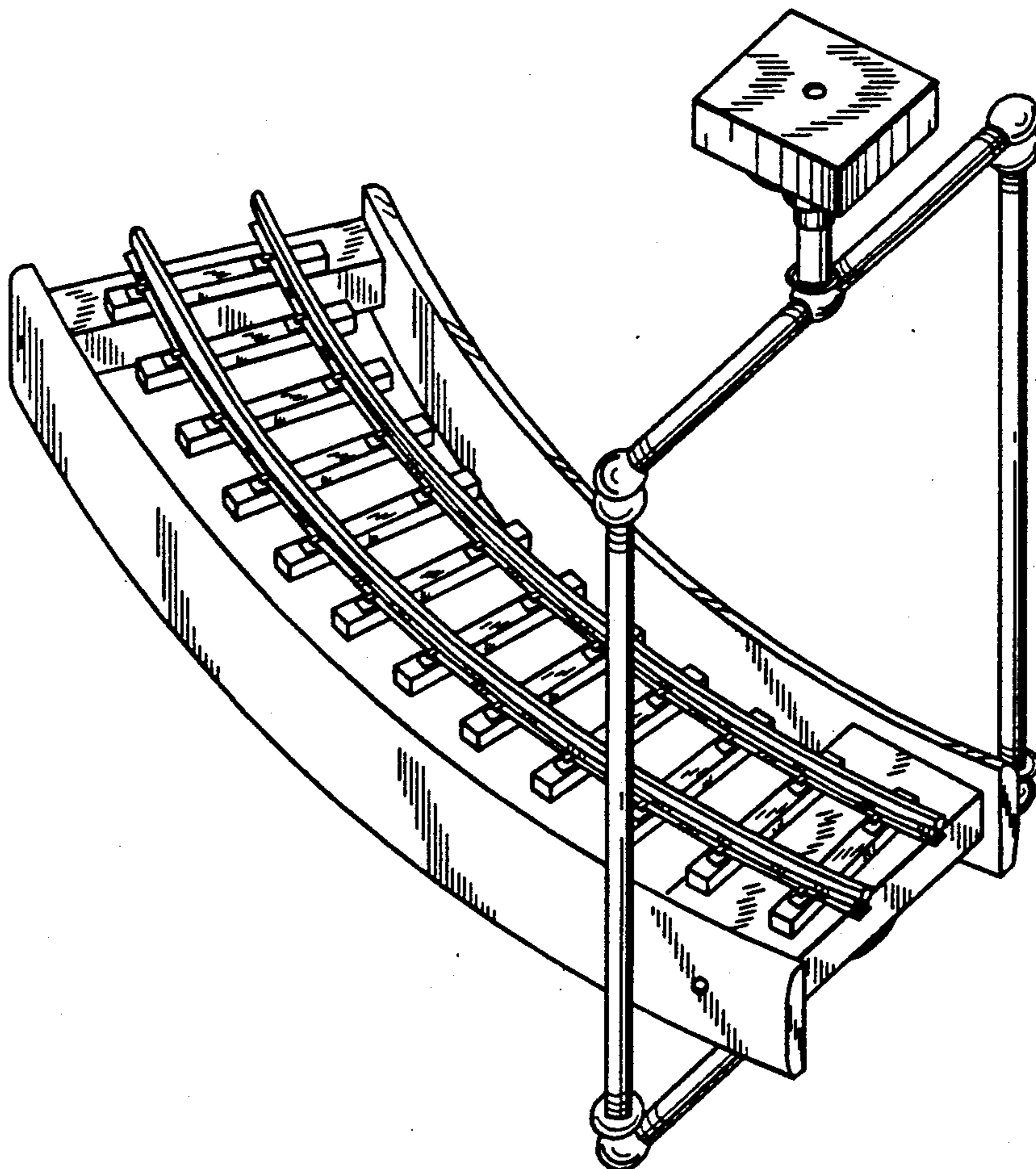
FIG. 3 is a top plan view thereof; and,

FIG. 4 is a bottom plan view thereof.

[56] References Cited

U.S. PATENT DOCUMENTS

D. 177,461	4/1956	Stasi	D21/143
D. 195,679	7/1963	Genin	D21/143
228,055	5/1880	Gilbert	104/124
D. 249,737	9/1978	Tong	D21/143
D. 264,108	4/1982	Tong	D21/143



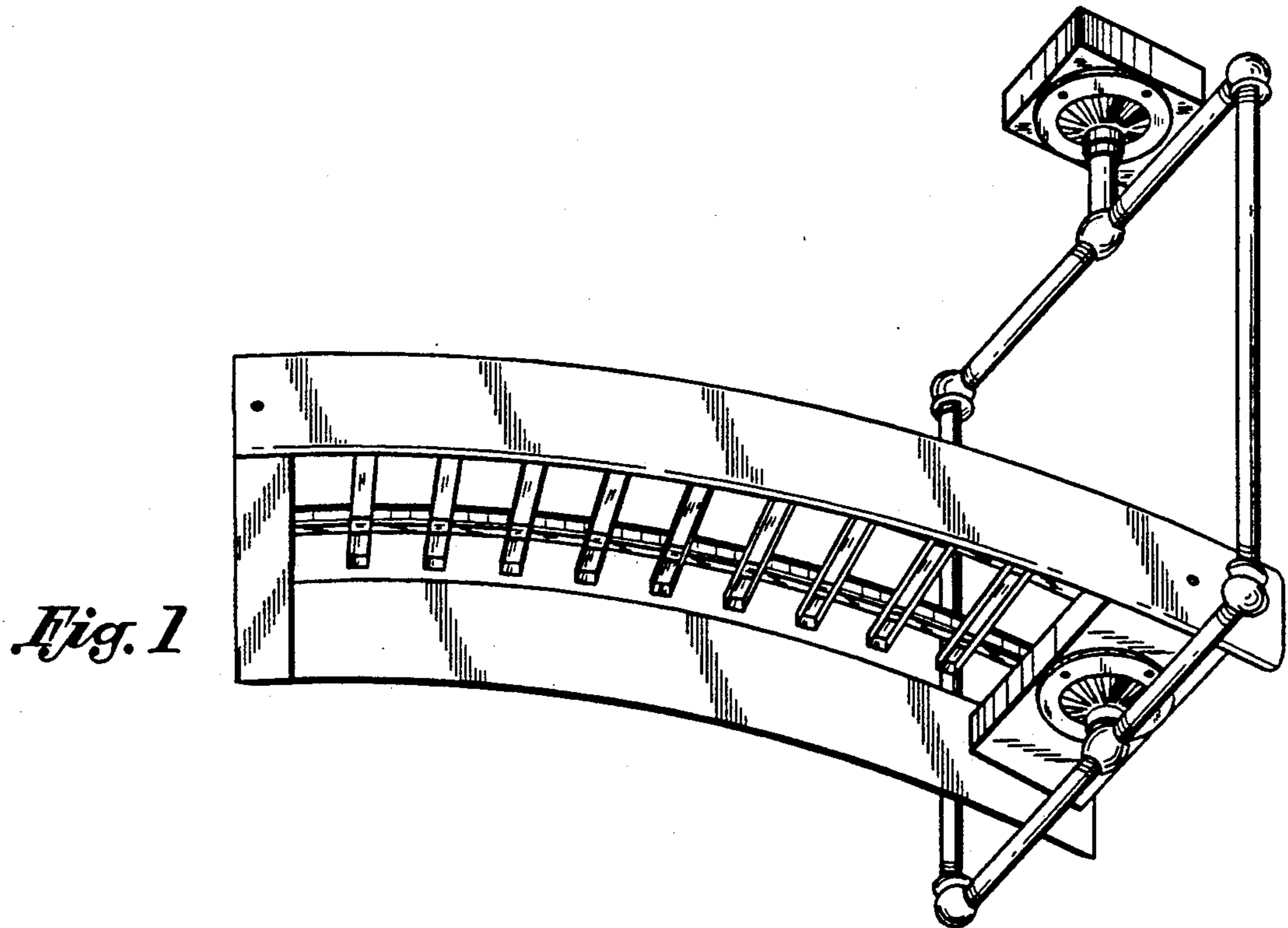


Fig. 1

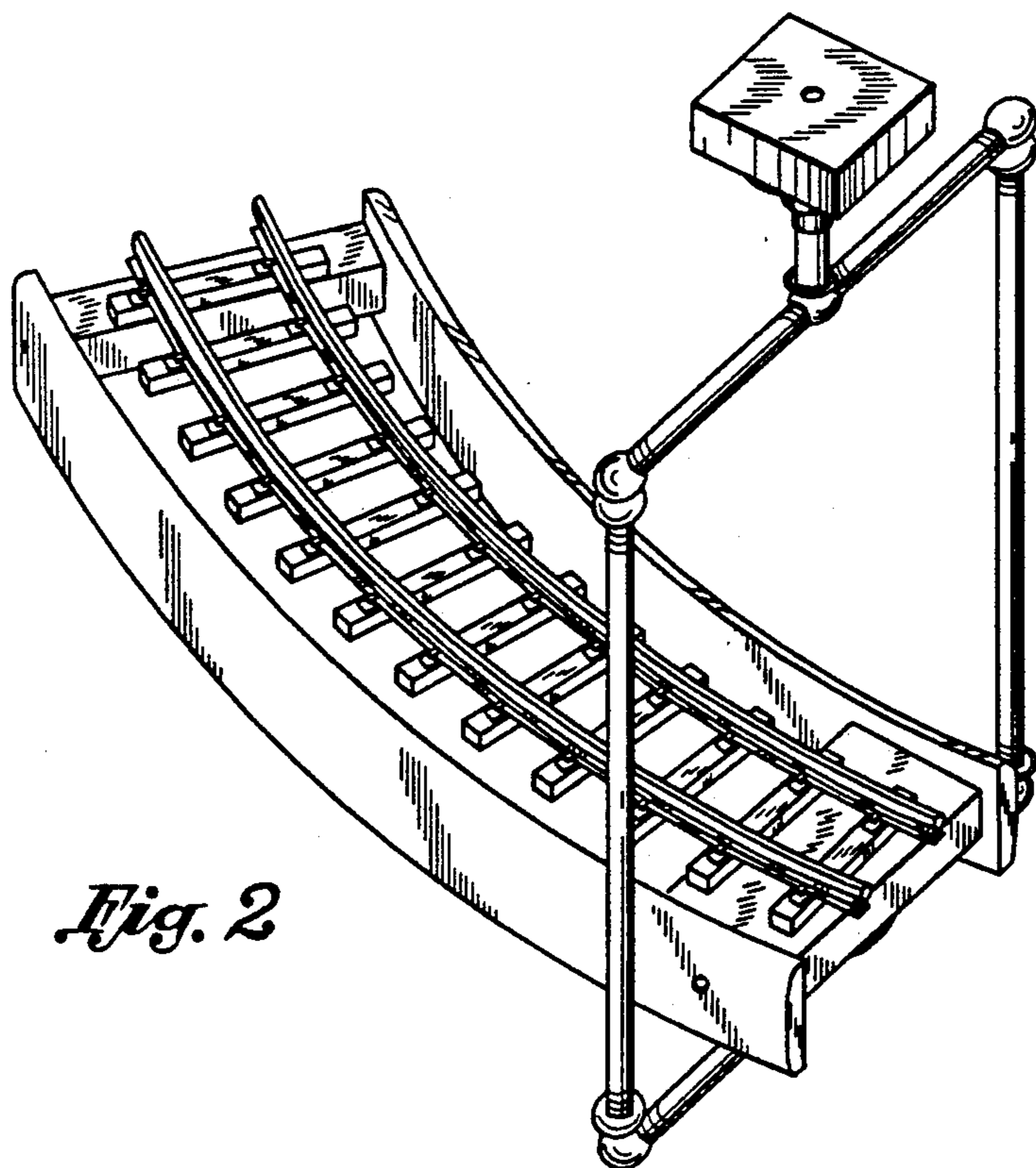


Fig. 2

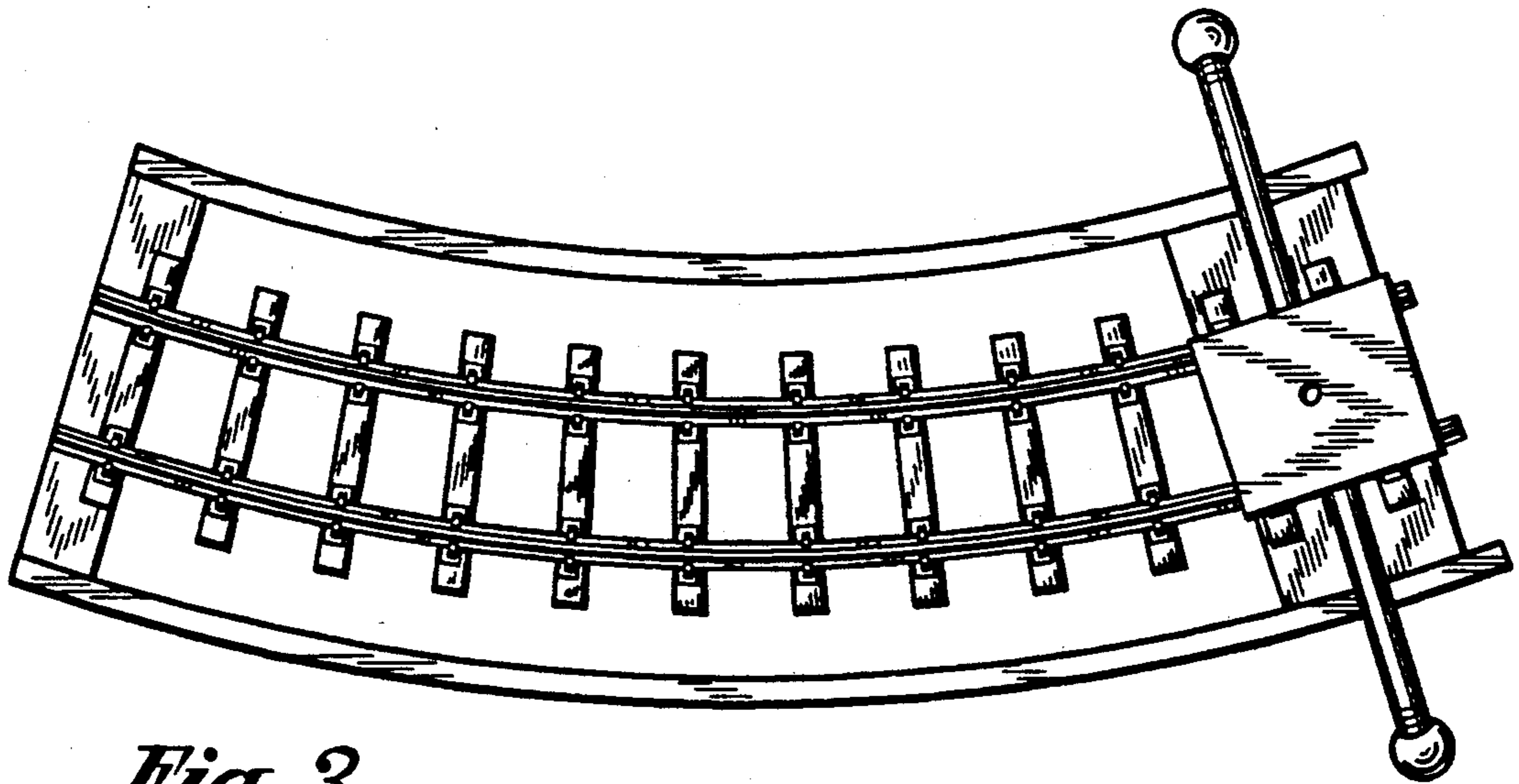


Fig. 3

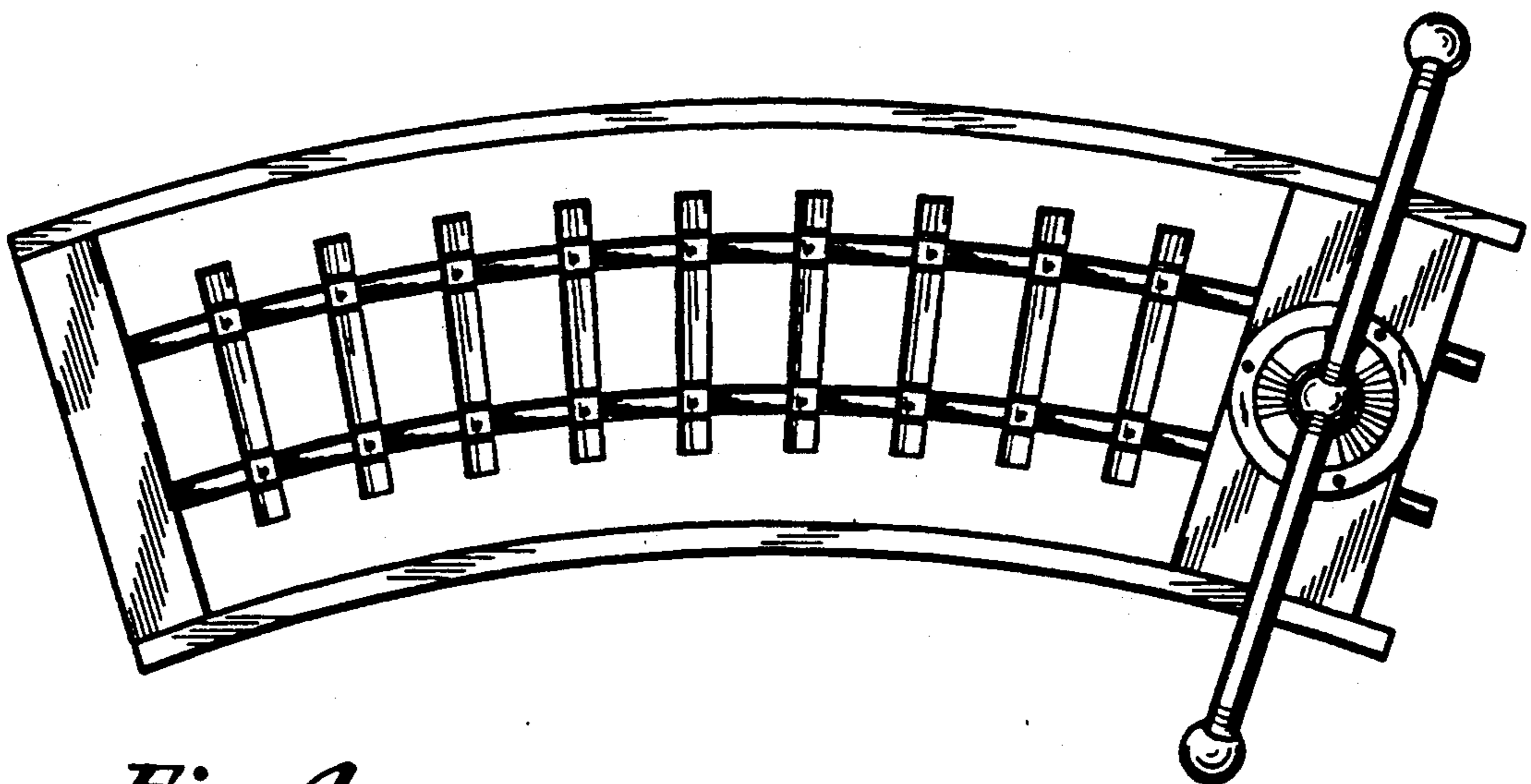


Fig. 4