



US00D325757S

United States Patent [19]

[11] Patent Number: **Des. 325,757**

Pagel

[45] Date of Patent: **** Apr. 28, 1992**

[54] **ELEMENT FOR A TOY BUILDING SET**

4,826,464 5/1989 Bertrand 446/124
4,992,069 2/1991 Bolli 446/128

[75] Inventor: **Kim Pagel, Vandel, Denmark**

[73] Assignee: **Interlego A.G., Baar, Switzerland**

[**] Term: **14 Years**

Primary Examiner—Bernard Ansher
Assistant Examiner—R. Barkai
Attorney, Agent, or Firm—Kane, Dalsimer, Sullivan,
Kurucz, Levy, Eisele and Richard

[21] Appl. No.: **621,916**

[57] **CLAIM**

[22] Filed: **Dec. 4, 1990**

The ornamental design for an element for a toy building set, as shown and described.

[52] U.S. Cl. **D21/108**

[58] Field of Search **D21/108, 124; D8/382;**
446/122, 123, 124, 128

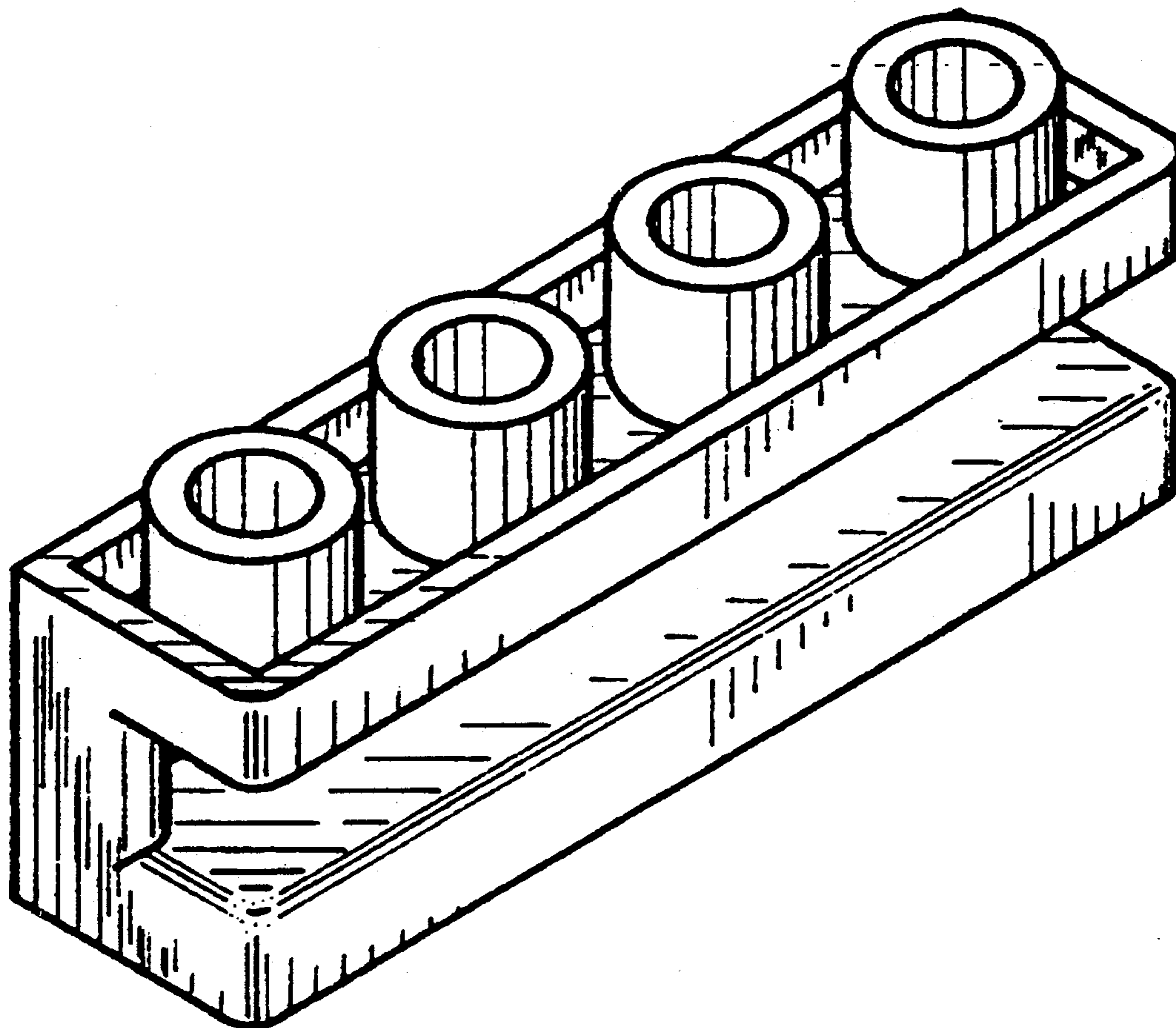
DESCRIPTION

[56] **References Cited**

U.S. PATENT DOCUMENTS

- D. 233,935 12/1974 Schroeder D21/108
- D. 246,927 1/1978 Christiansen D21/108
- D. 284,393 6/1986 Kassai D21/108
- D. 285,813 9/1986 Takahashi D21/108
- 4,270,303 6/1981 Xanthopoulos 446/128

FIG. 1 is a top perspective view of an element for a toy building set showing my new design;
FIG. 2 is a left side elevational view thereof;
FIG. 3 is a front elevational view thereof, the rear elevational view being a mirror image;
FIG. 4 is a right side elevational view thereof;
FIG. 5 is a top plan view thereof; and,
FIG. 6 is a bottom plan view thereof.



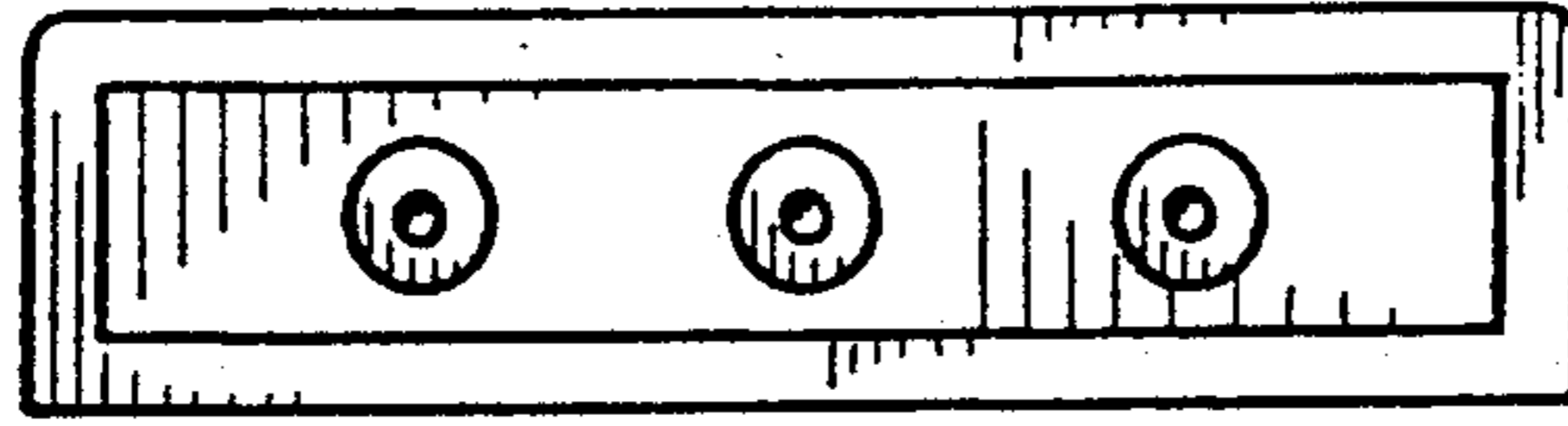


FIG. 6

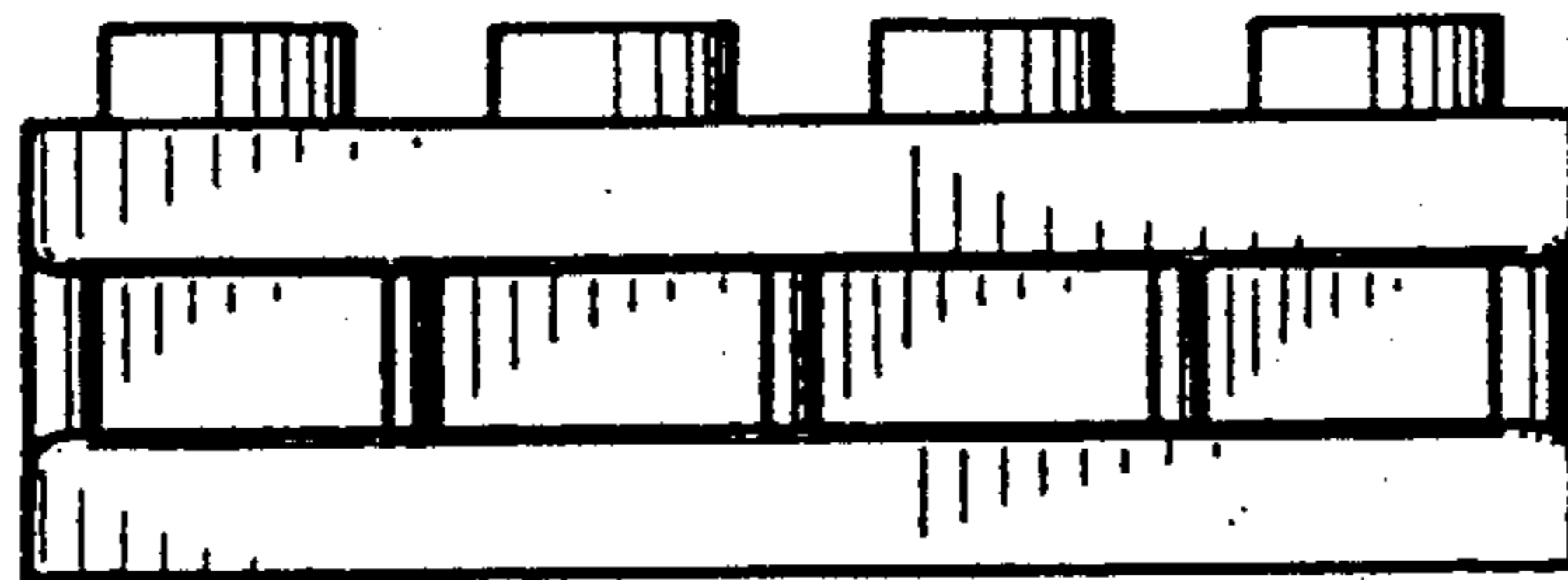


FIG. 4

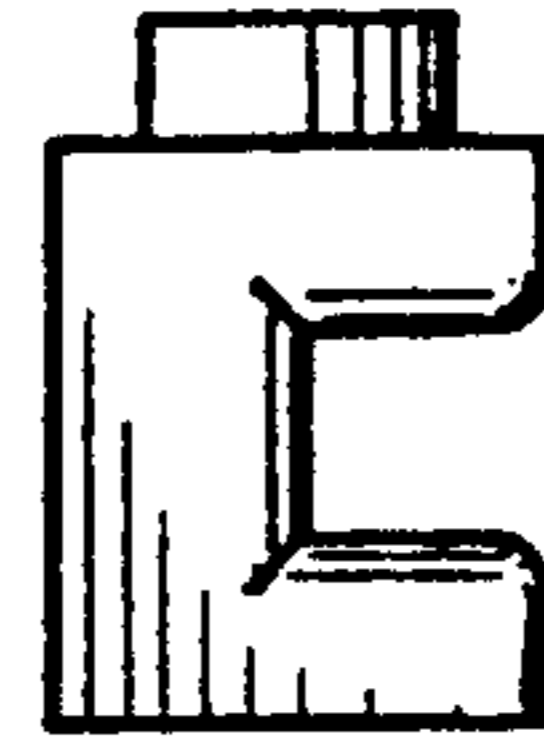


FIG. 3

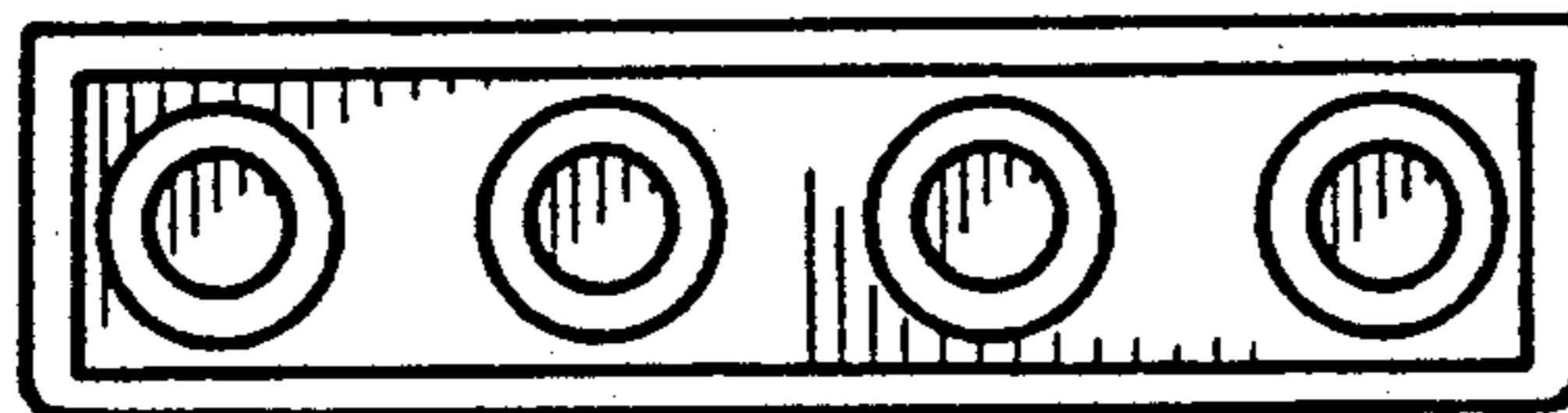


FIG. 5

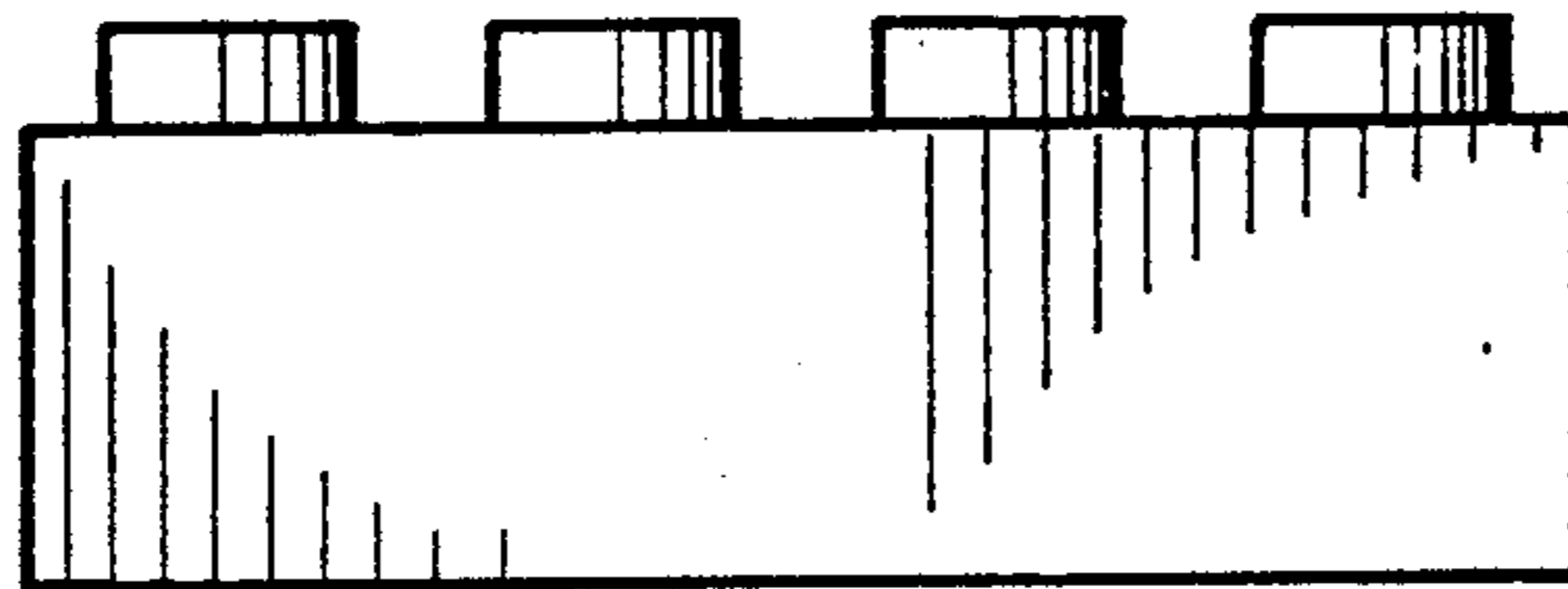


FIG. 2

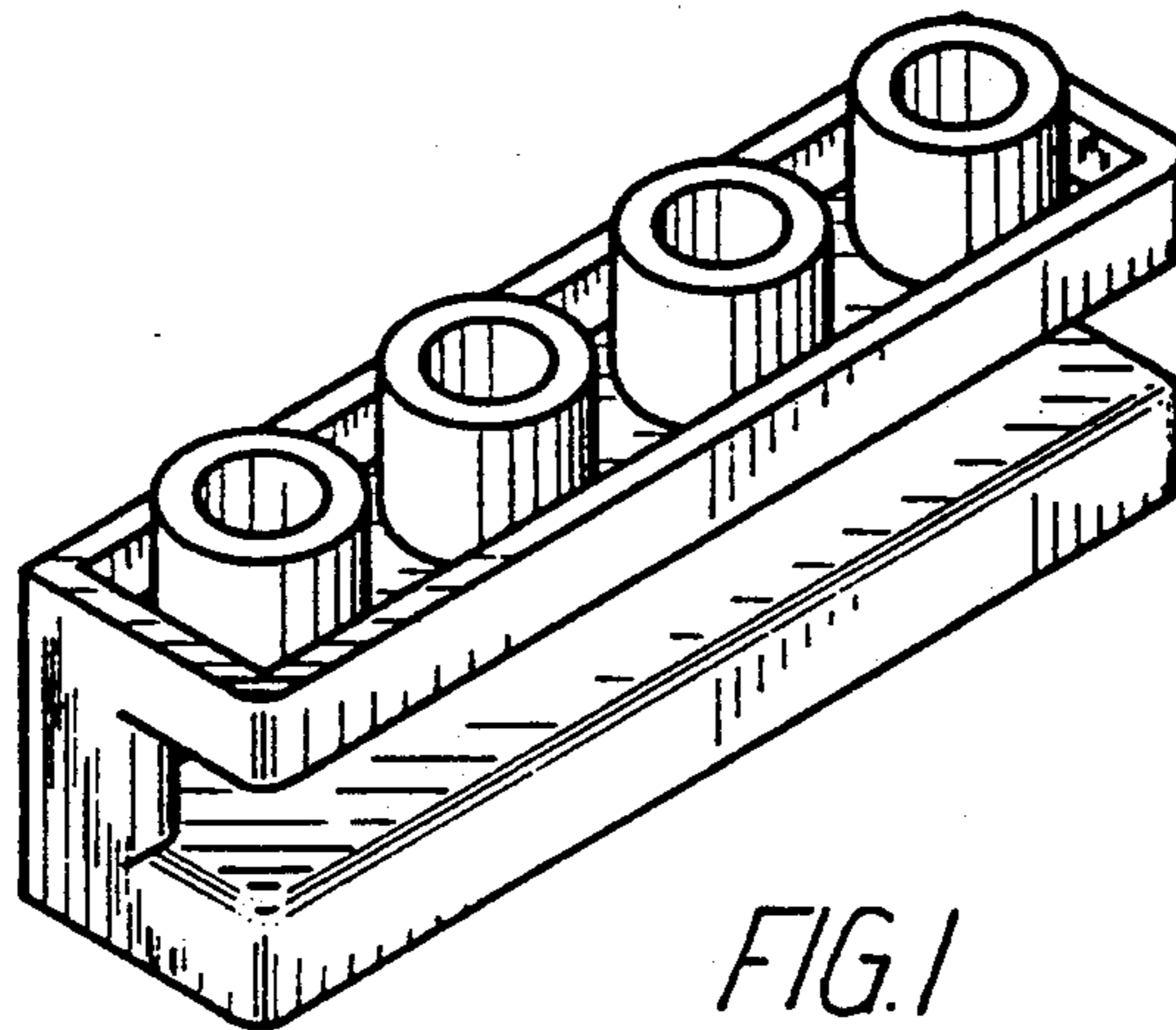


FIG. 1