



US00D325753S

# United States Patent [19]

[11] Patent Number: **Des. 325,753**

Takahashi et al.

[45] Date of Patent: **\*\* Apr. 28, 1992**

[54] **TOY VEHICLE**

[75] Inventors: **Takehiko Takahashi; Toyomi Yoshida**, both of Tokyo, Japan

[73] Assignee: **Combi Corporation**, Tokyo, Japan

[\*\*] Term: **14 Years**

[21] Appl. No.: **494,692**

[22] Filed: **Mar. 16, 1990**

[30] **Foreign Application Priority Data**

Oct. 30, 1989 [JP] Japan ..... 1-39257

[52] U.S. Cl. .... **D21/78**

[58] Field of Search ..... **D21/71, 75, 76, 78, D21/80, 81, 136, 137; D12/91, 92; 280/87.021, 87.01, 47.34, 47.371, 296, 177**

[56] **References Cited**

**U.S. PATENT DOCUMENTS**

D. 246,481 11/1977 Nakao ..... D21/78

D. 250,851	1/1979	Nakao et al. ....	D21/78
D. 252,829	9/1979	Nakao et al. ....	D21/78
D. 272,551	2/1984	Nakao et al. ....	D21/78
D. 281,792	12/1985	Nakao et al. ....	D21/78
D. 303,273	9/1989	Takahashi et al. ....	D21/76

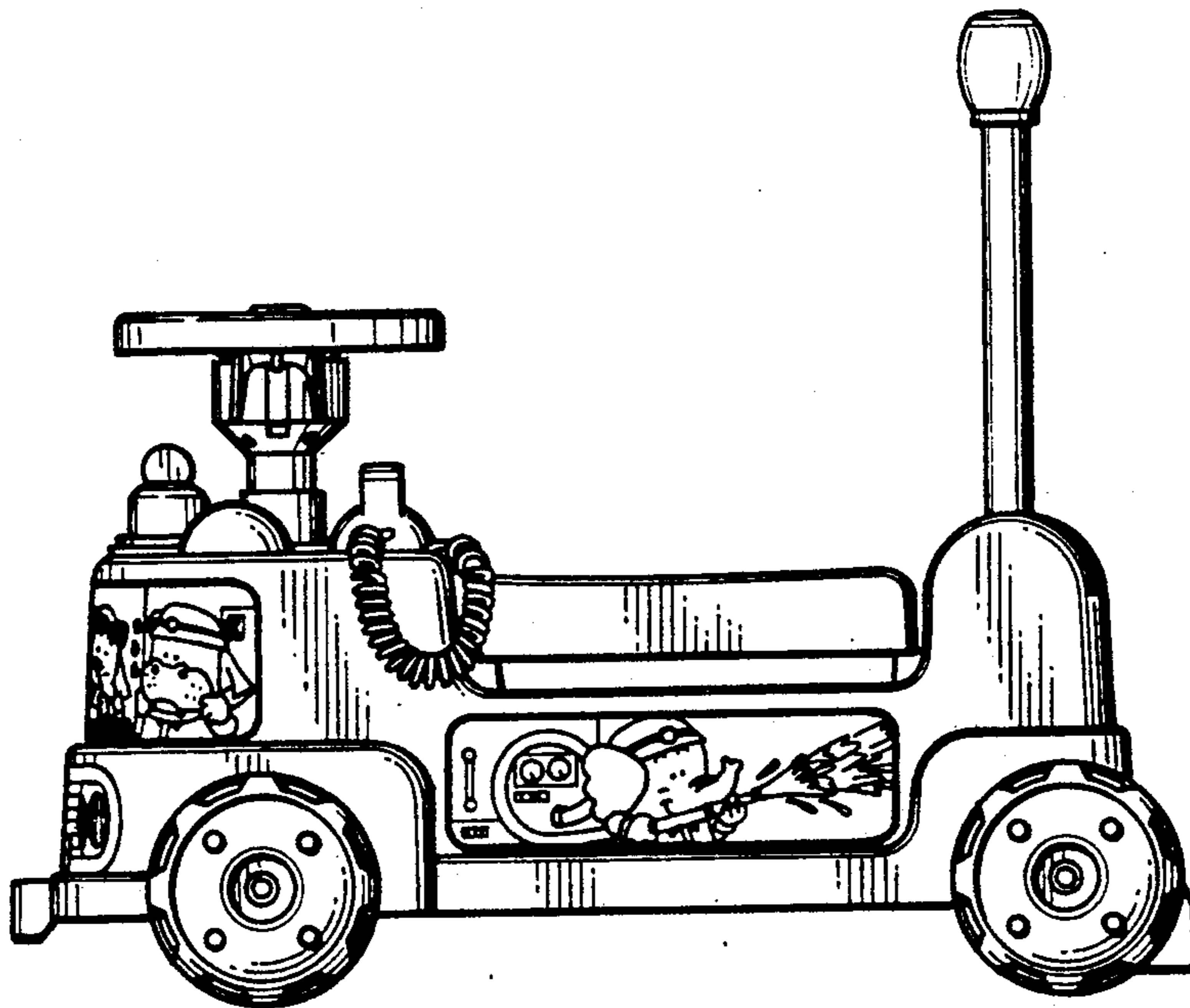
*Primary Examiner*—Bernard Ansher  
*Assistant Examiner*—R. Barkai  
*Attorney, Agent, or Firm*—Sughrue, Mion, Zinn, Macpeak & Seas

[57] **CLAIM**

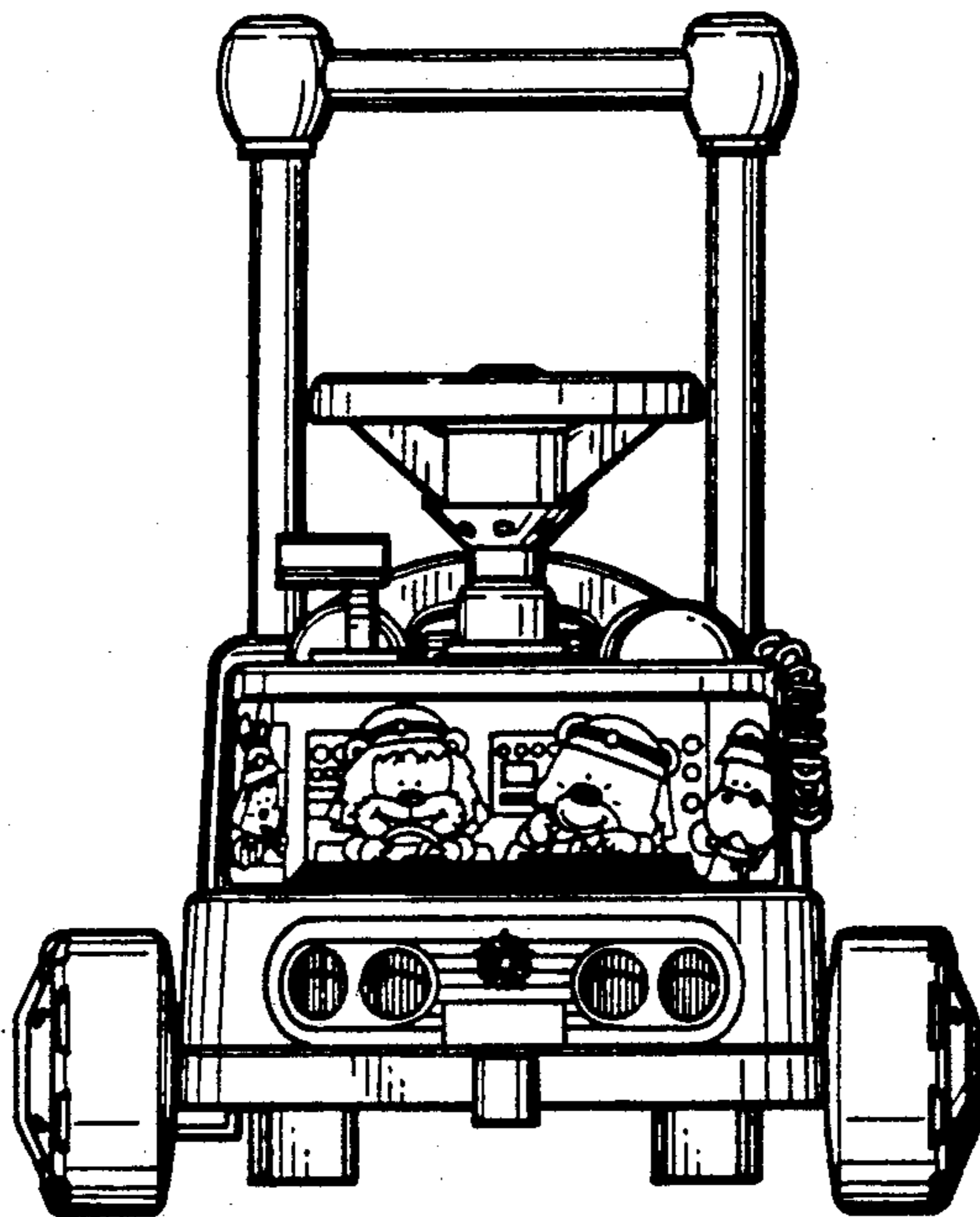
The ornamental design for a toy vehicle, as shown.

**DESCRIPTION**

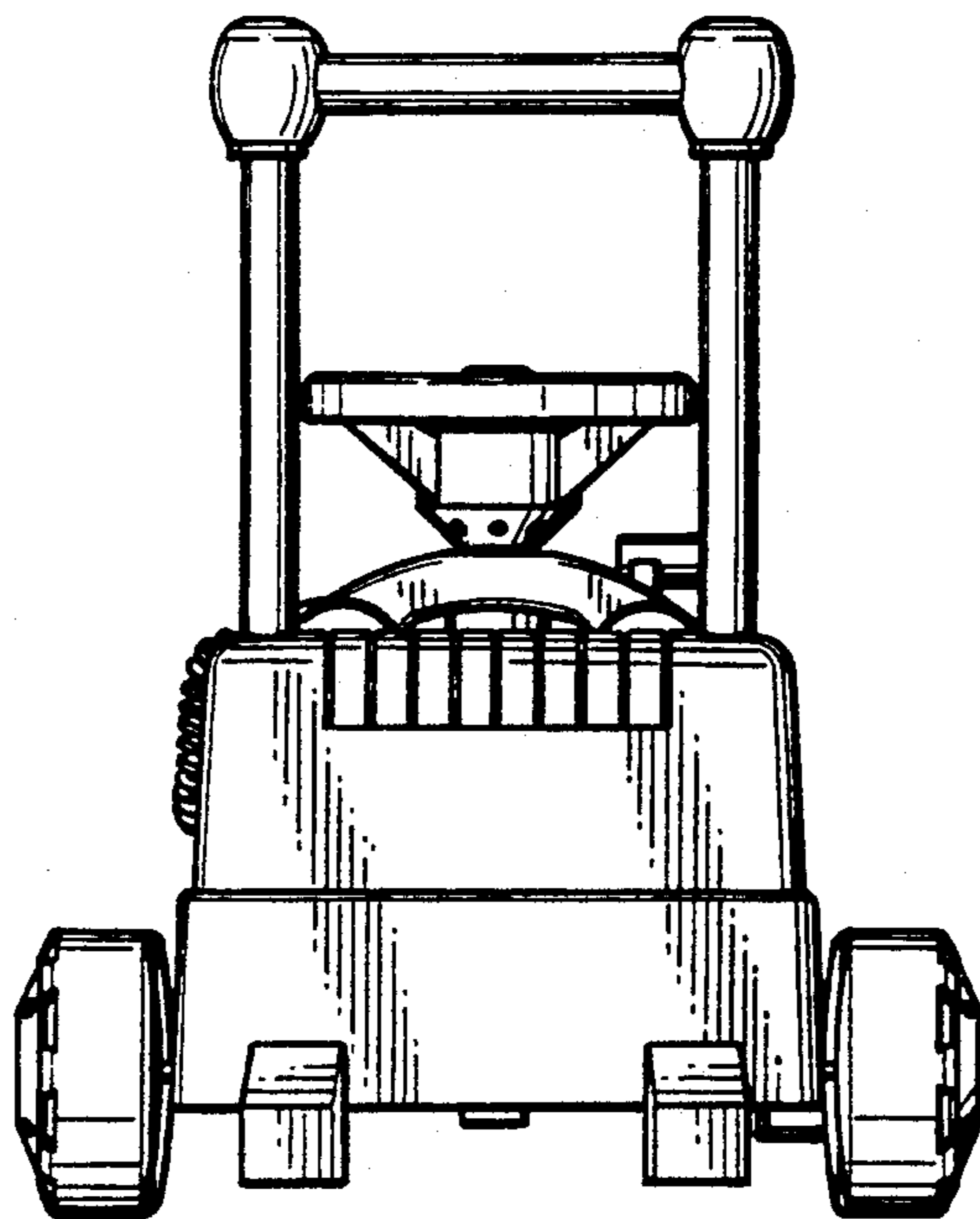
FIG. 1 is a front elevational view of a toy vehicle showing our new design;  
FIG. 2 is a rear elevational view thereof;  
FIG. 3 is a top plan view thereof;  
FIG. 4 is a bottom plan view thereof;  
FIG. 5 is a left side elevational view thereof; and,  
FIG. 6 is a right side elevational view thereof.



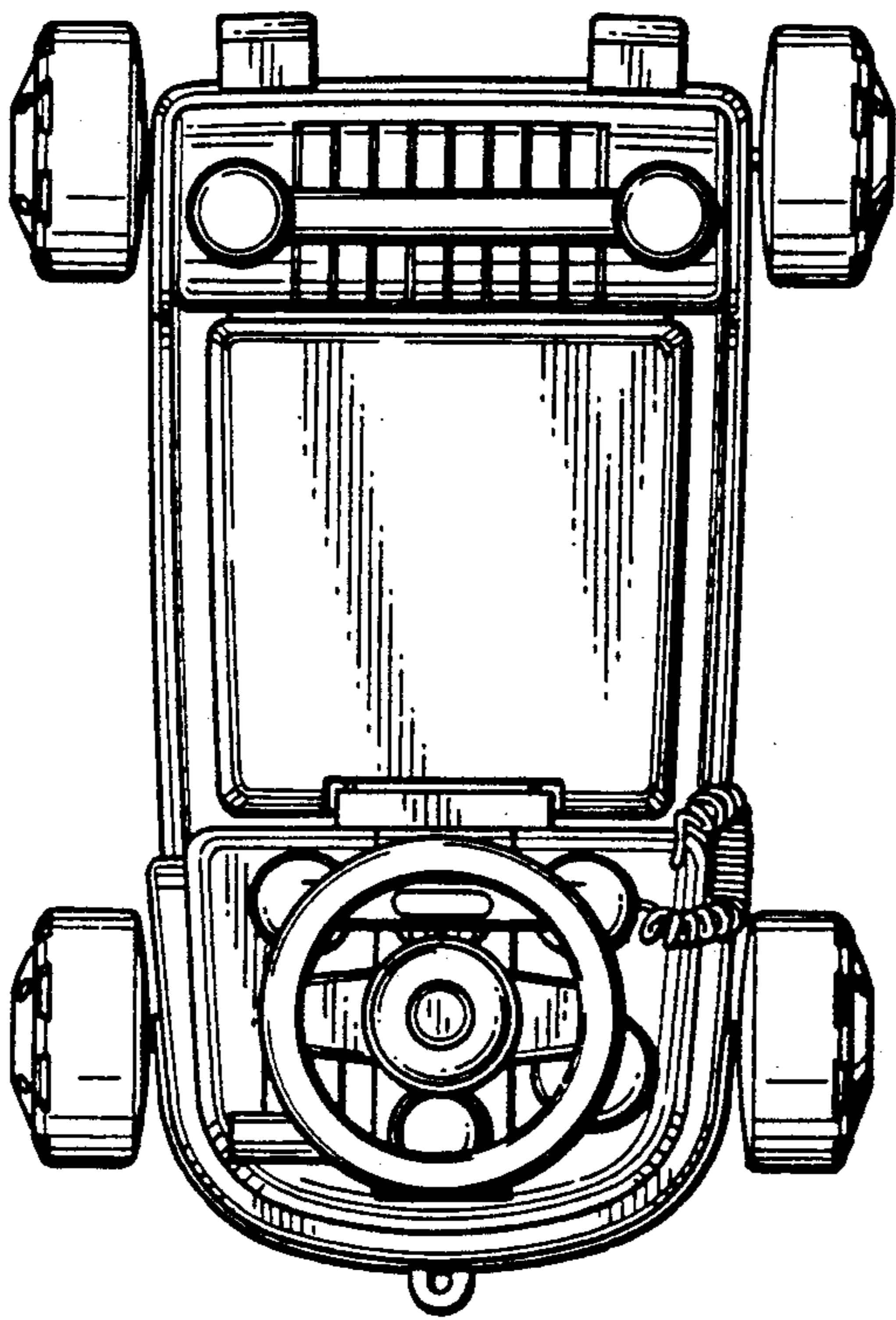
*Fig. 1*



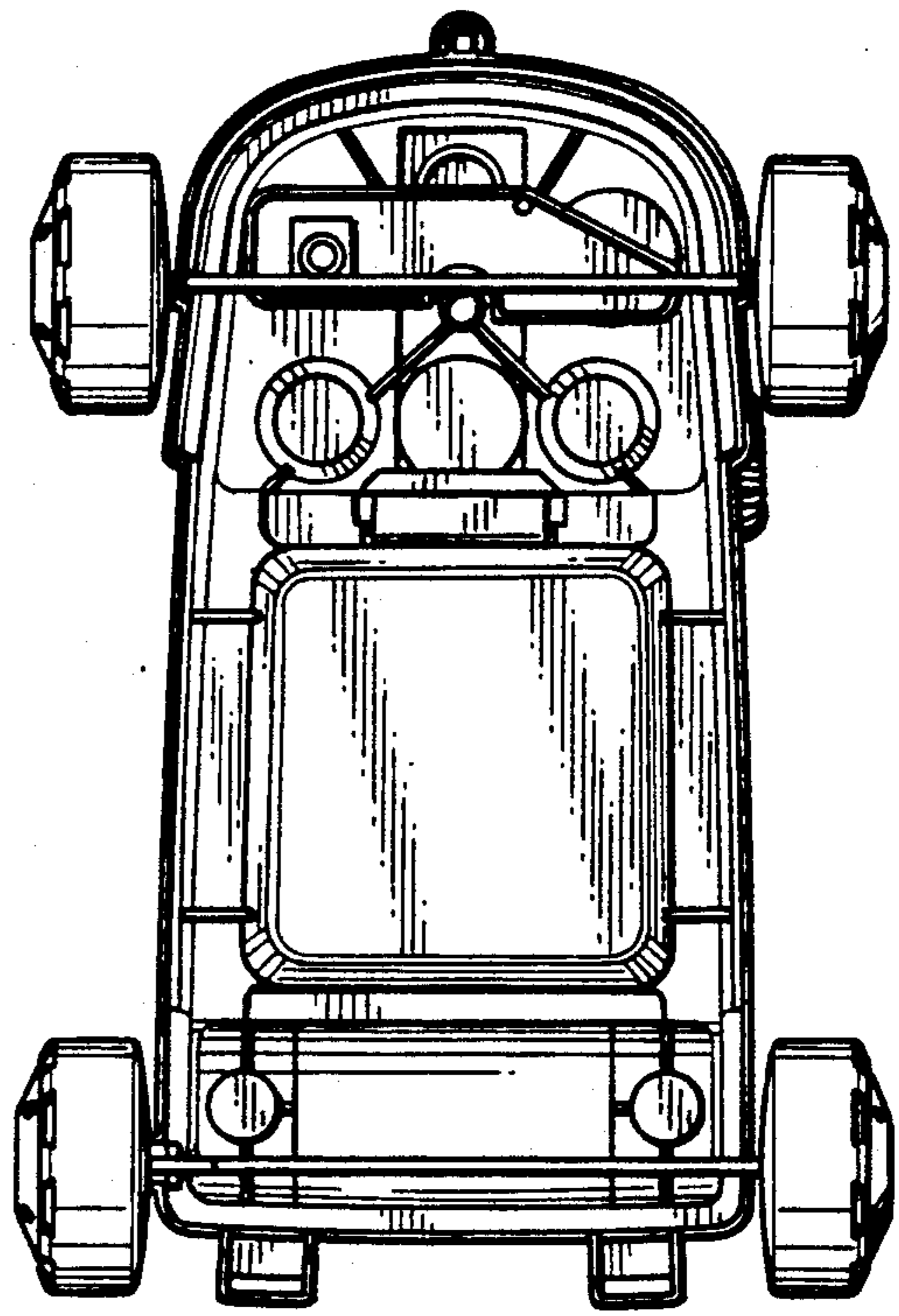
*Fig. 2*



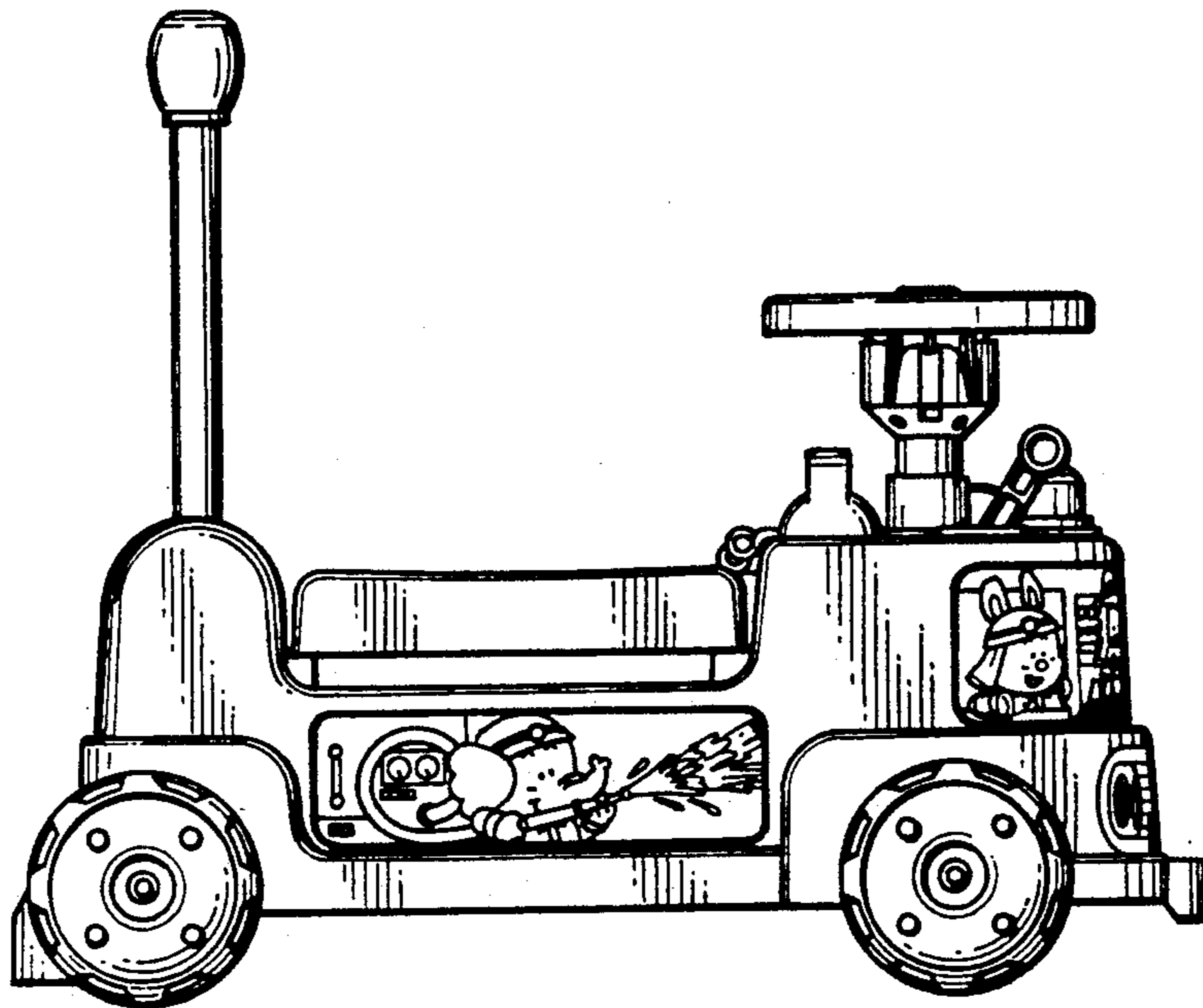
*Fig.3*



*Fig.4*



*Fig.5*



*Fig.6*

