



US00D325752S

United States Patent [19]
Kilander

[11] **Patent Number: Des. 325,752**
[45] **Date of Patent: ** Apr. 28, 1992**

[54] **DRUM TOY**

3,867,863 2/1975 Vennova D21/64

[75] **Inventor: Holger F. Kilander, Hackensack, Minn.**

[73] **Assignee: The Little Tikes Company, Hudson, Ohio**

[**] **Term: 14 Years**

[21] **Appl. No.: 591,496**

[22] **Filed: Oct. 1, 1990**

[52] **U.S. Cl. D21/64**

[58] **Field of Search D21/59, 63, 64, 109; D17/22, 99; 446/227, 419, 418, 371**

[56] **References Cited**

U.S. PATENT DOCUMENTS

| | | | |
|------------|--------|-----------------------|--------|
| D. 58,746 | 8/1921 | Gulick | D17/22 |
| D. 249,577 | 9/1978 | Bergman | D21/64 |
| D. 315,179 | 3/1991 | Takahashi et al. | D21/64 |
| 2,837,002 | 6/1958 | Susser | D17/22 |

OTHER PUBLICATIONS

Pages 52 and 53, Fisher-Price, 636 Girard Avenue, East Aurora, N.Y. 14052-1885.

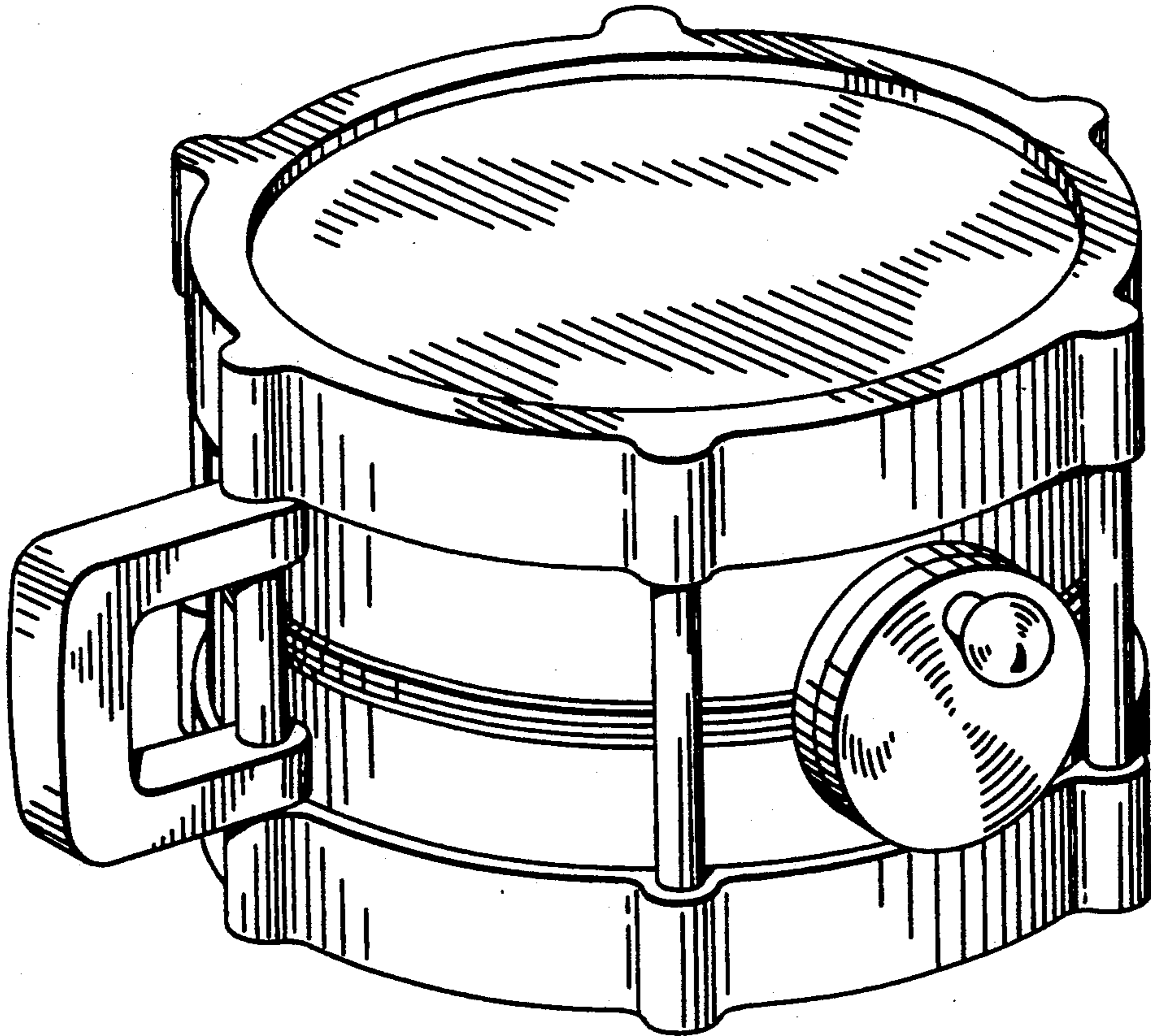
Primary Examiner—Charles A. Rademaker
Attorney, Agent, or Firm—Richard B. O'Planick

[57] **CLAIM**

The ornamental design for a drum toy, as shown and described.

DESCRIPTION

FIG. 1 is a left perspective view of a drum toy embodying my new design;
FIG. 2 is a front view thereof;
FIG. 3 is a right side elevational view thereof;
FIG. 4 is a rear elevational view thereof;
FIG. 5 is a left side elevational view thereof;
FIG. 6 is a top plan view thereof; and,
FIG. 7 is a bottom plan view thereof.



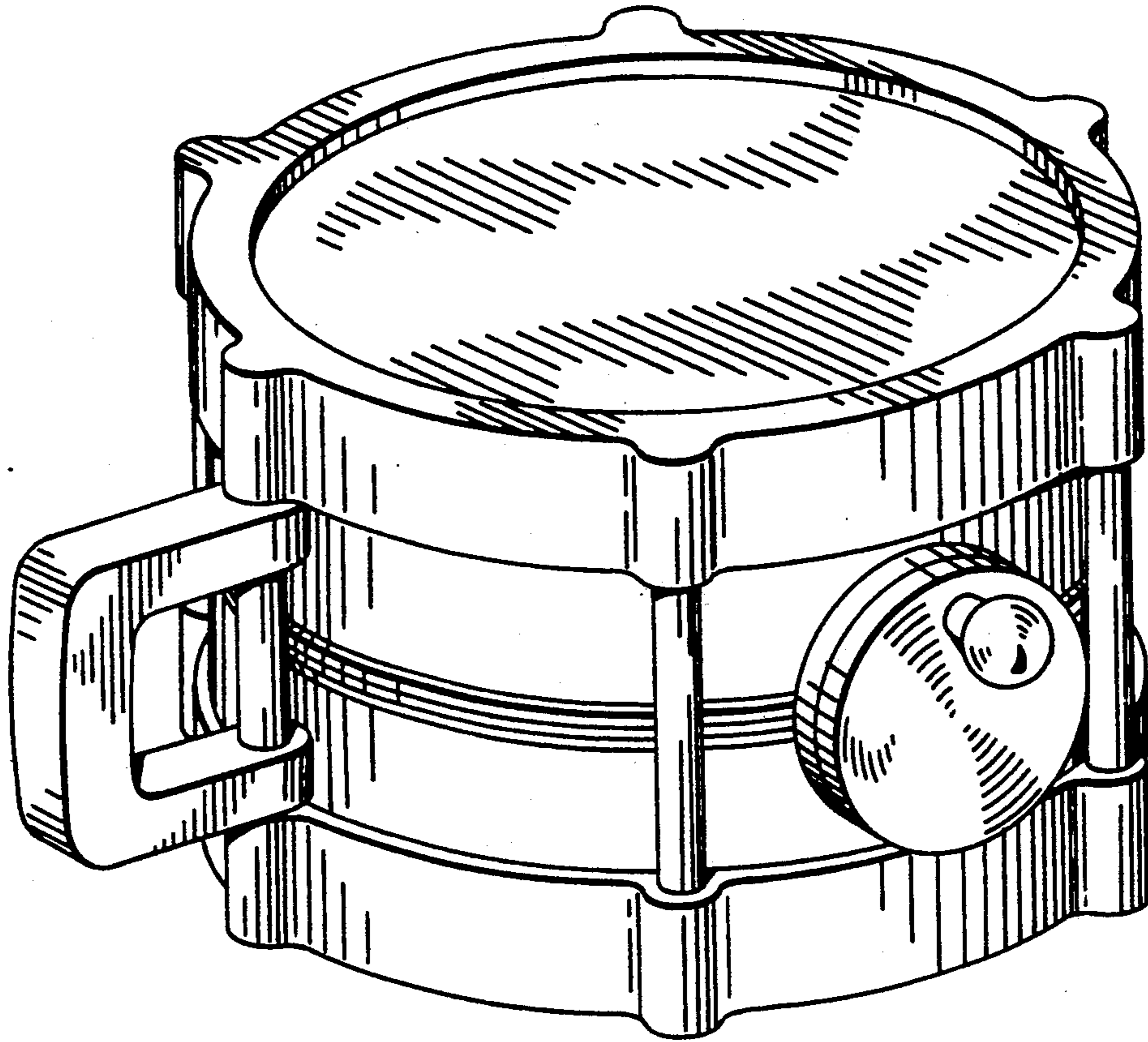


FIG. 1

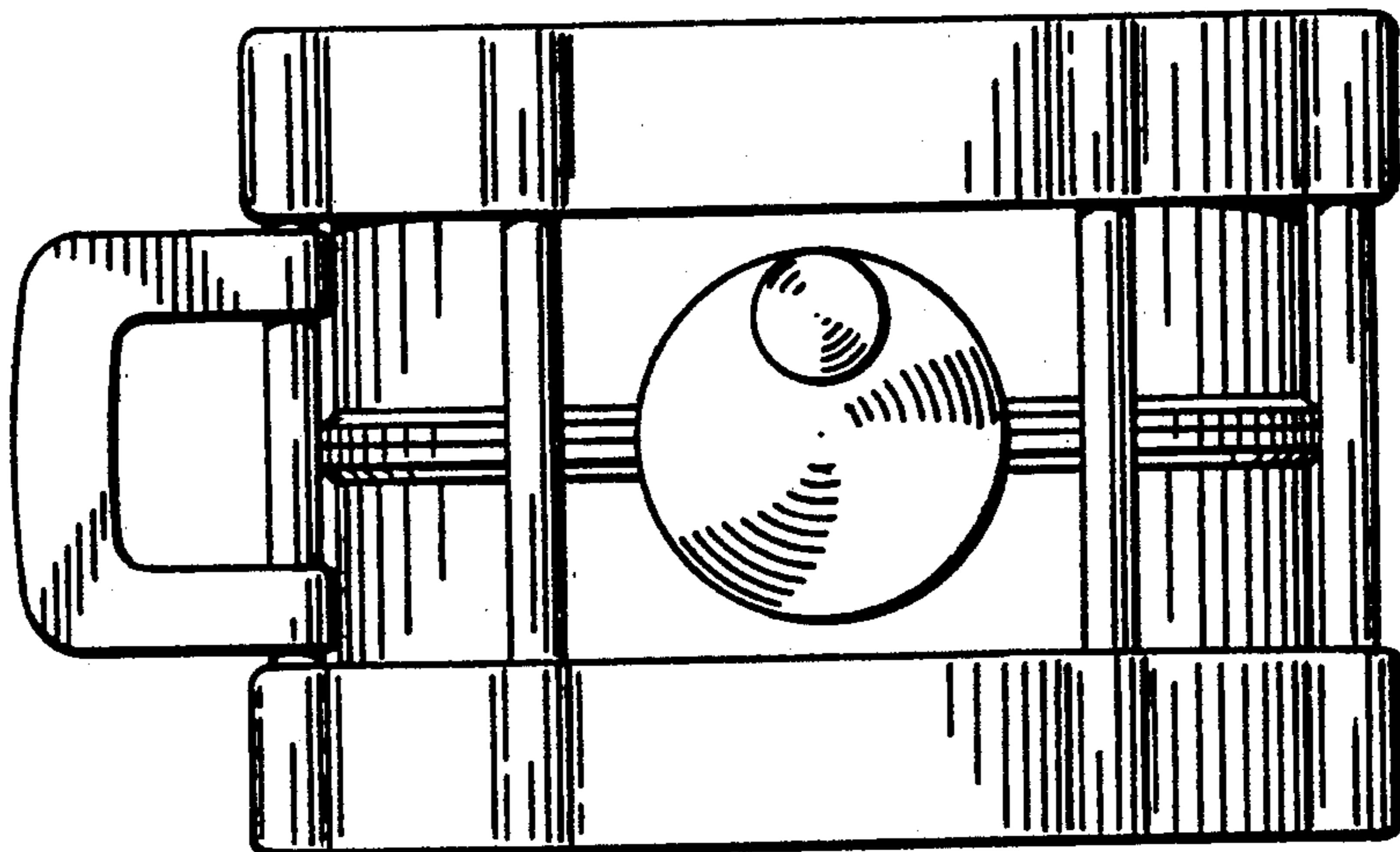


FIG. 2

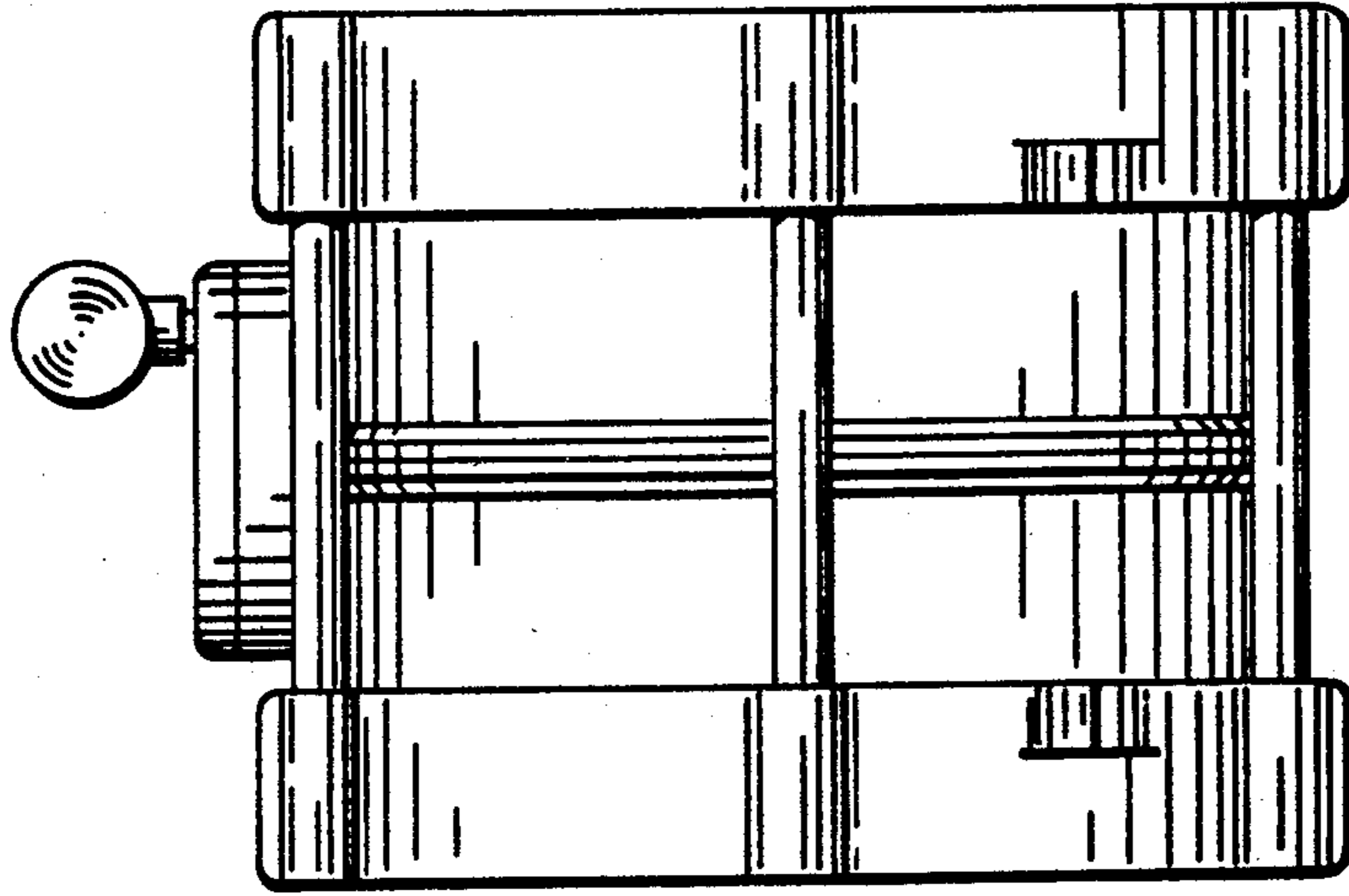


FIG. 3

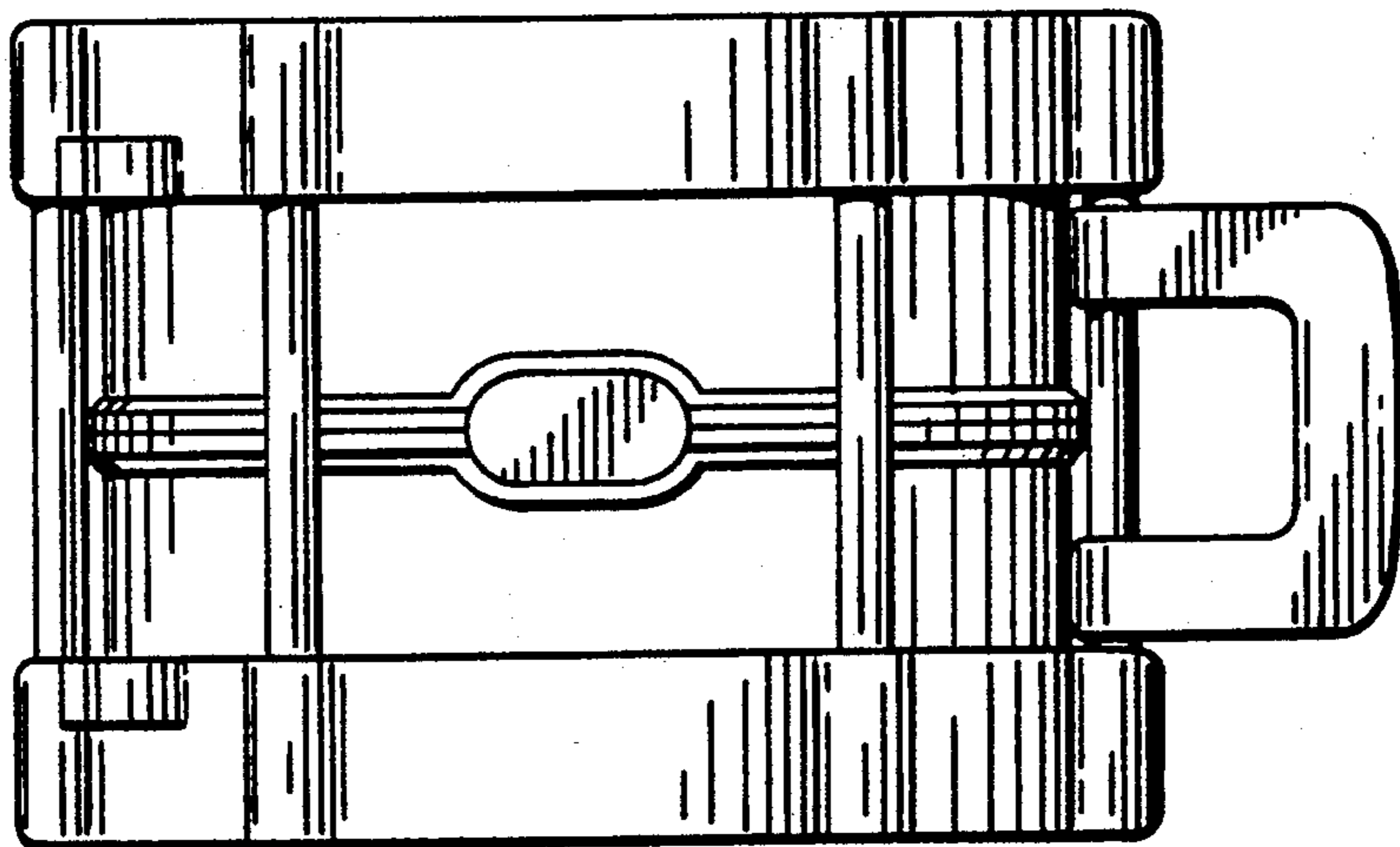


FIG. 4

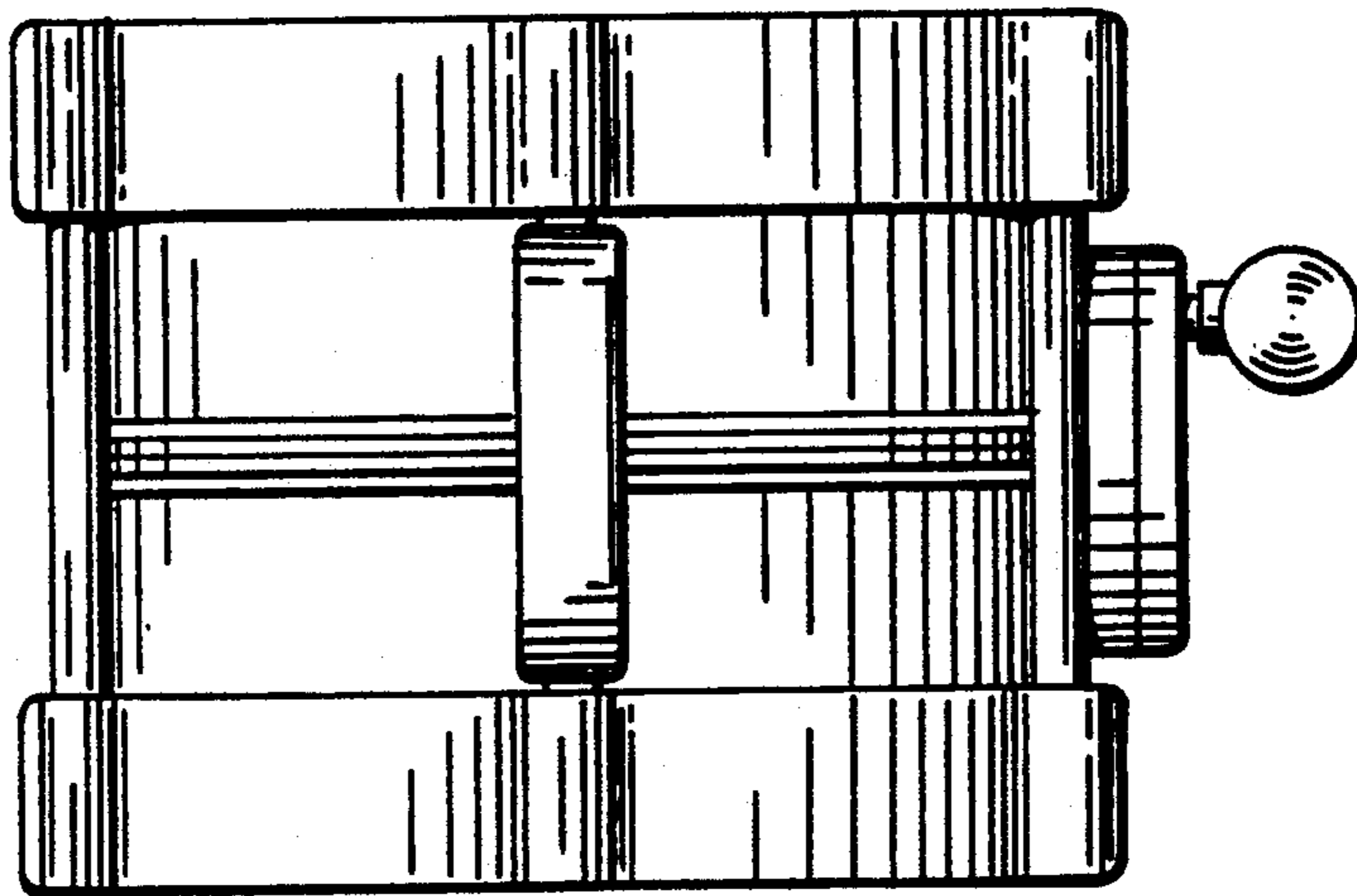


FIG. 5

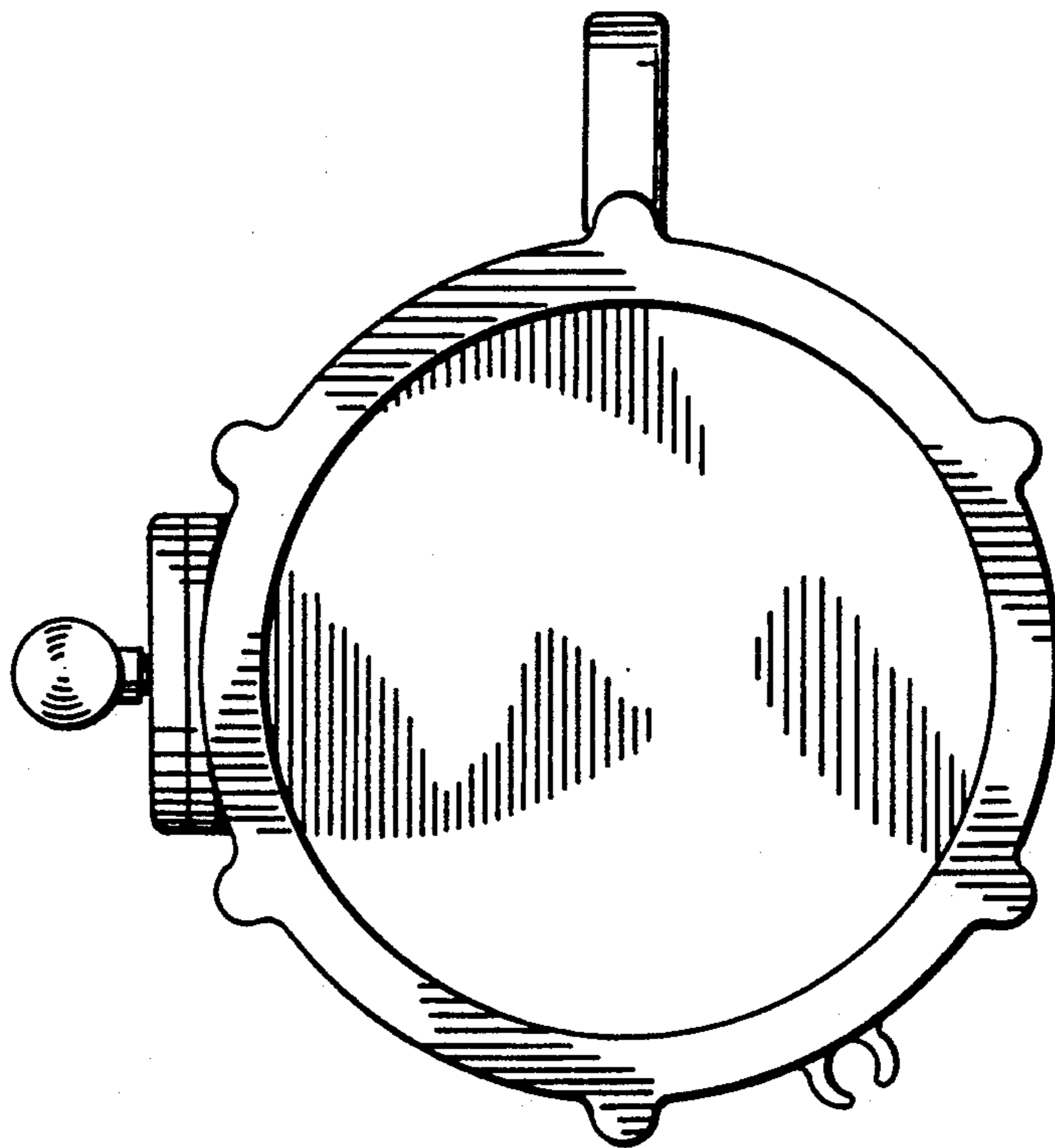


FIG. 6

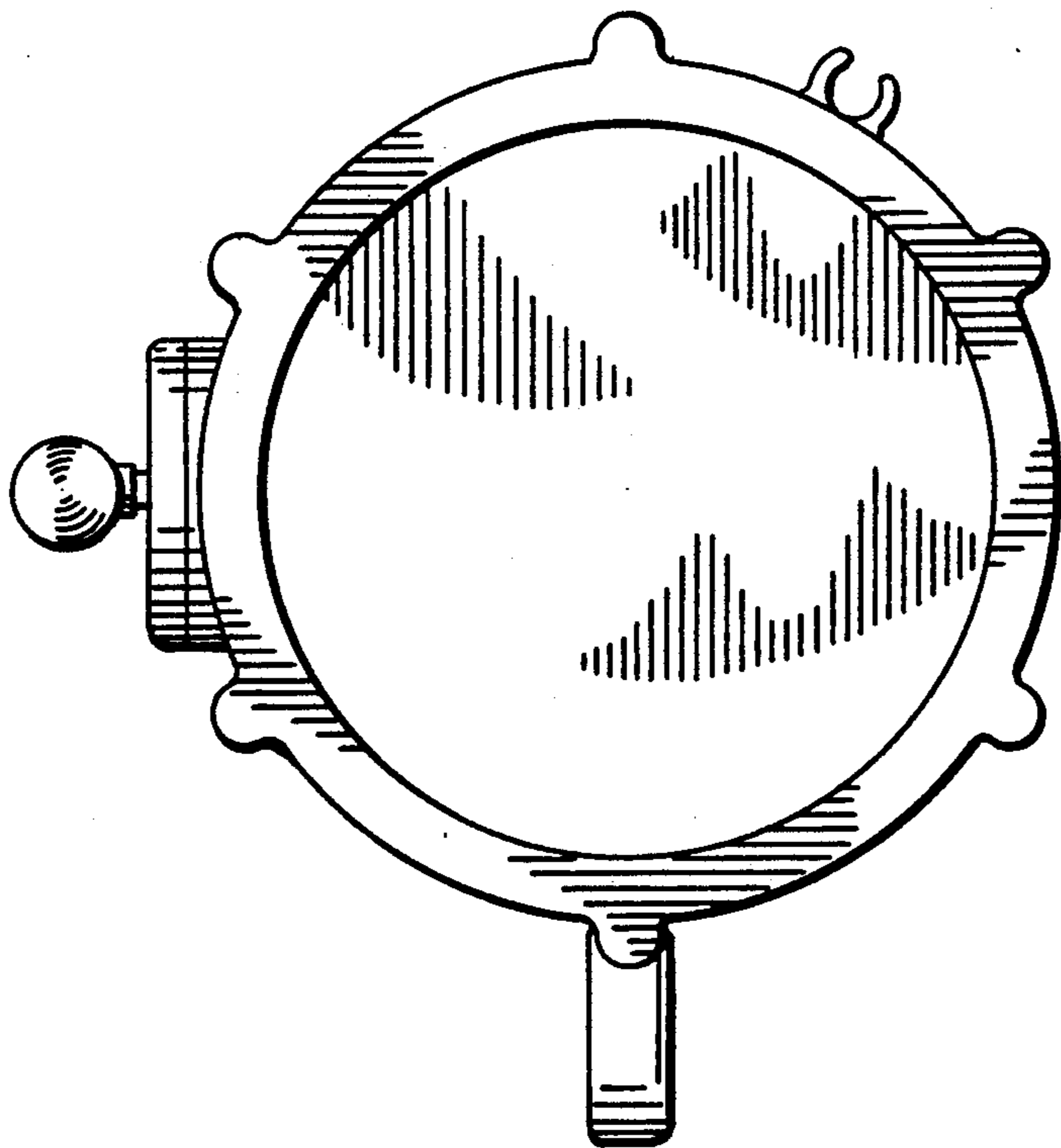


FIG. 7