



US00D325745S

United States Patent [19]

[11] Patent Number: **Des. 325,745**

Mead

[45] Date of Patent: **** Apr. 28, 1992**

[54] **COMBINED COLLAPSIBLE COPY HOLDER STAND AND LIGHT THEREFOR**

[76] Inventor: **Dorr J. Mead, 855 Westmoreland Dr., Vernon Hills, Ill. 60061**

[**] Term: **14 Years**

[21] Appl. No.: **750,545**

[22] Filed: **Aug. 27, 1991**

D. 265,742	8/1982	Wilcox	D19/86
D. 320,045	9/1991	Mead	D19/88
1,581,128	4/1926	Jones	40/346
2,029,425	2/1936	Kaylor et al.	24/67.3
3,381,122	4/1968	Boyle, Jr.	362/99
4,243,335	1/1981	Singley	40/341 X
4,767,093	8/1988	Jones	D19/88 X

Primary Examiner—Nelson C. Holtje
Assistant Examiner—Martha Thompson
Attorney, Agent, or Firm—Brooks & Kushman

Related U.S. Application Data

[62] Division of Ser. No. 140,350, Jan. 4, 1988, Pat. No. Des. 320,045.

[52] U.S. Cl. **D19/88; D19/86; D19/90; D19/91; D6/429**

[58] Field of Search **D6/429; D19/35, 36, D19/65, 52, 75, 86, 88, 90, 91, 99, 100; D14/114; 40/341-349; 281/45; 211/45; 362/99**

[56] References Cited

U.S. PATENT DOCUMENTS

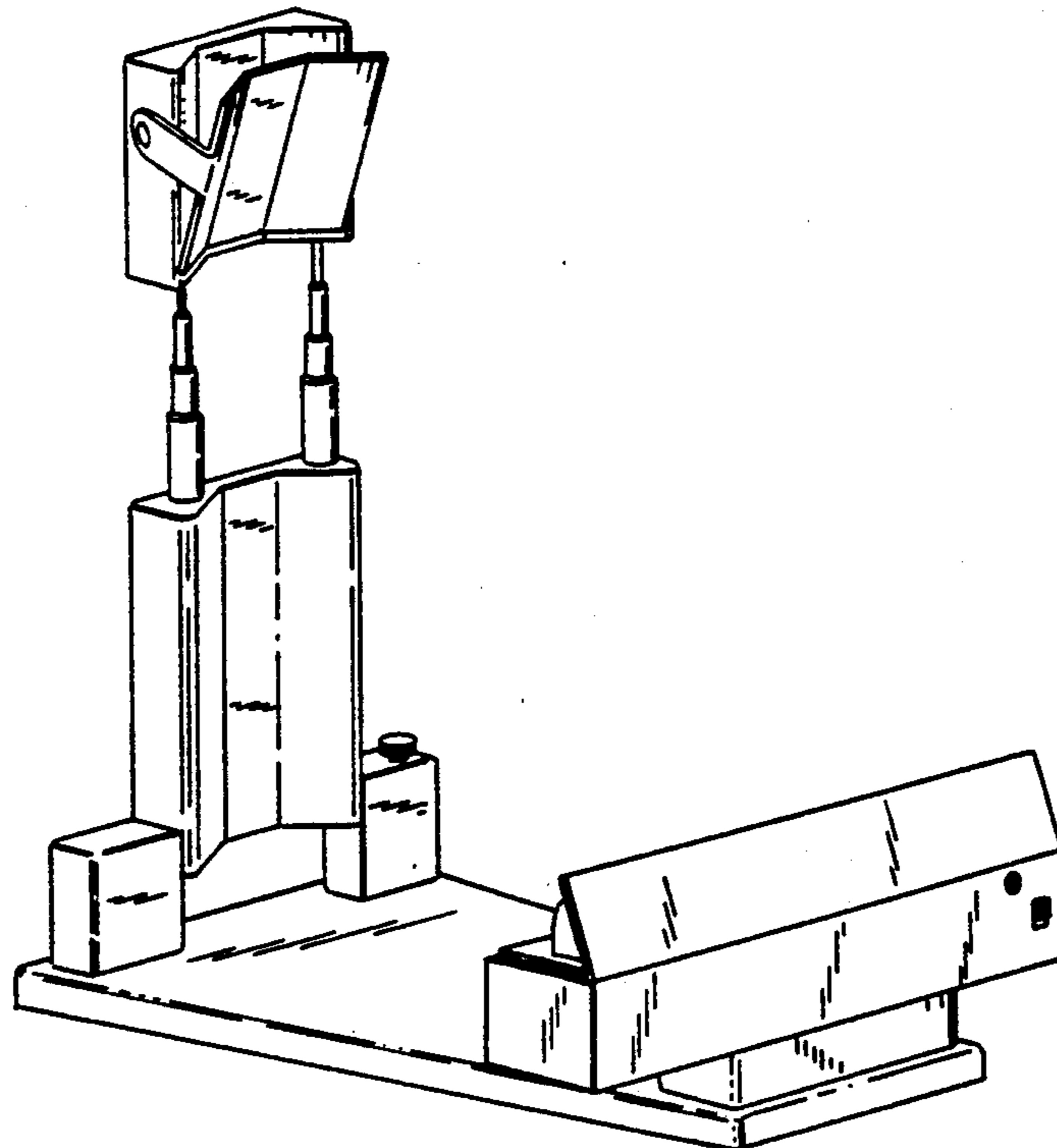
D. 26,507	1/1897	Green et al.	D19/90
D. 50,061	12/1916	Fuller	D19/88 X
D. 145,244	7/1946	De Jen	D19/88
D. 164,615	9/1951	Warnell	D19/88
D. 172,528	6/1954	Zipkin	D19/86
D. 192,308	2/1962	Cory	D8/395
D. 199,828	12/1964	Regan	D19/88
D. 248,402	7/1978	Kittell	D19/86 X
D. 252,578	8/1979	Charowhas	D19/86

[57] CLAIM

The ornamental design for a combined collapsible copy holder stand and light therefor, as shown and described.

DESCRIPTION

FIG. 1 is a top, left front perspective view of a combined collapsible copy holder stand and light therefor showing my new design in a partially extended position; FIG. 2 is a left side elevational view with the document holding member in a fully extended position, the right side being a mirror image thereof; FIG. 3 is a front elevational view of FIG. 2; FIG. 4 is a top plan view drawn to an enlarged scale, with the document holding member in a collapsed position; FIG. 5 is a left side elevational view of FIG. 4, the right side being a mirror image thereof; FIG. 6 is a bottom plan view of FIG. 4; FIG. 7 is a rear elevational view of FIG. 4; and, FIG. 8 is a front elevational view of FIG. 4.



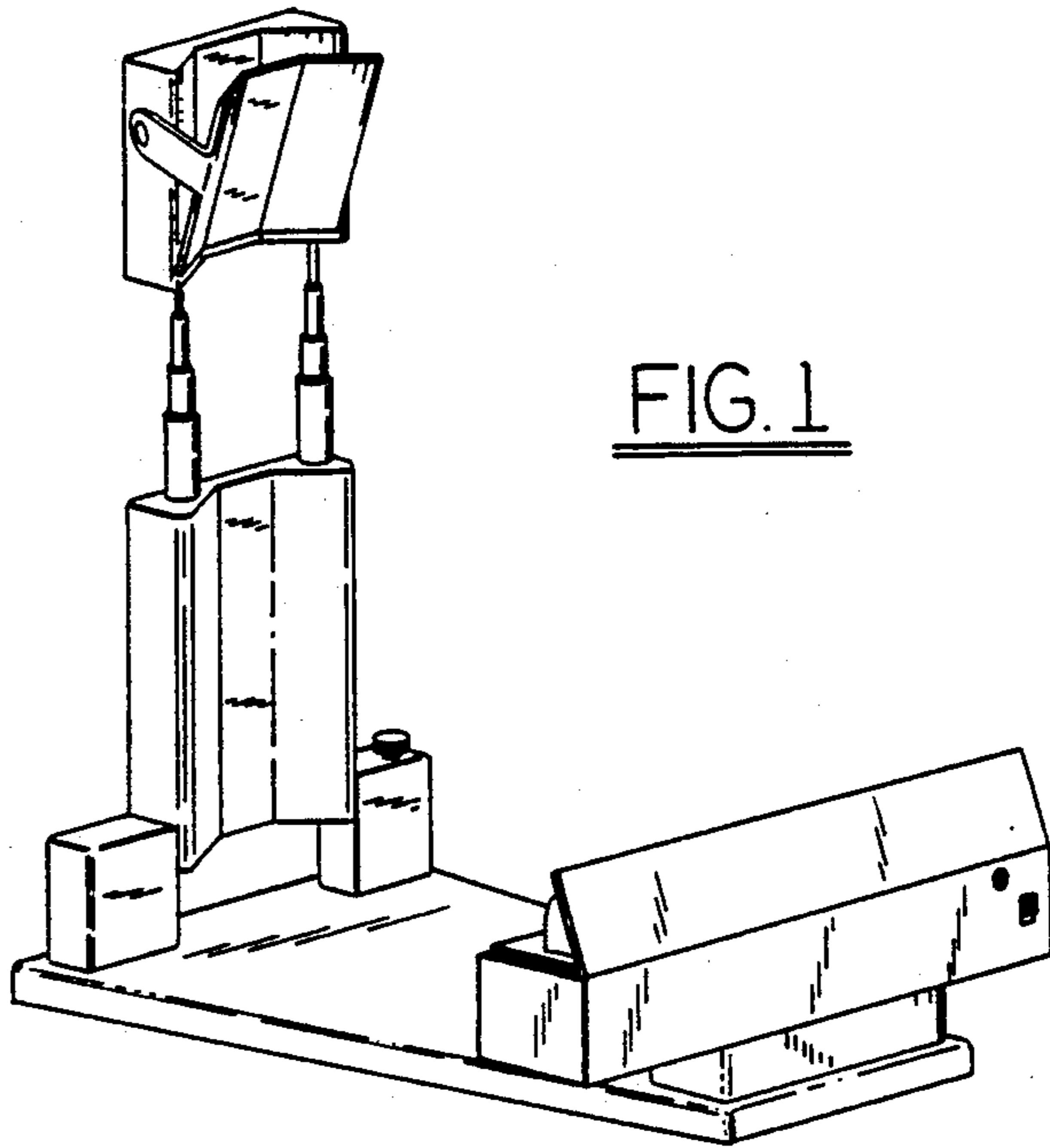


FIG. 1



FIG. 2

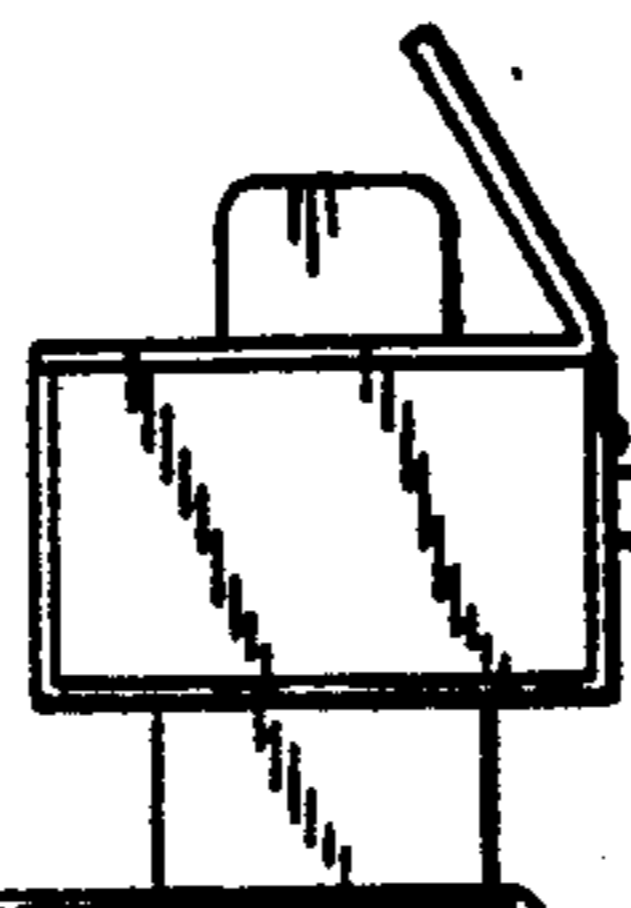


FIG. 3

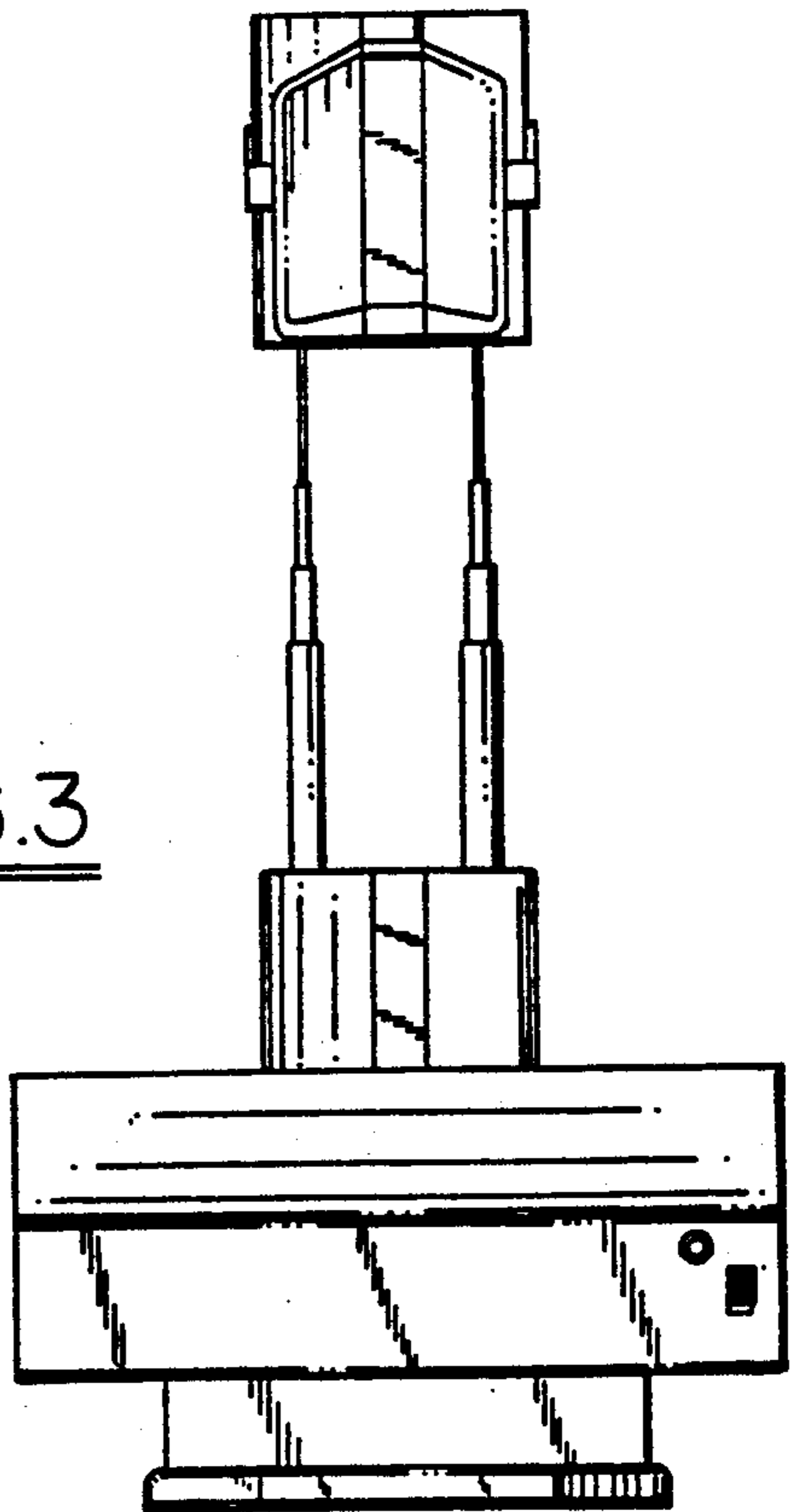


FIG. 4

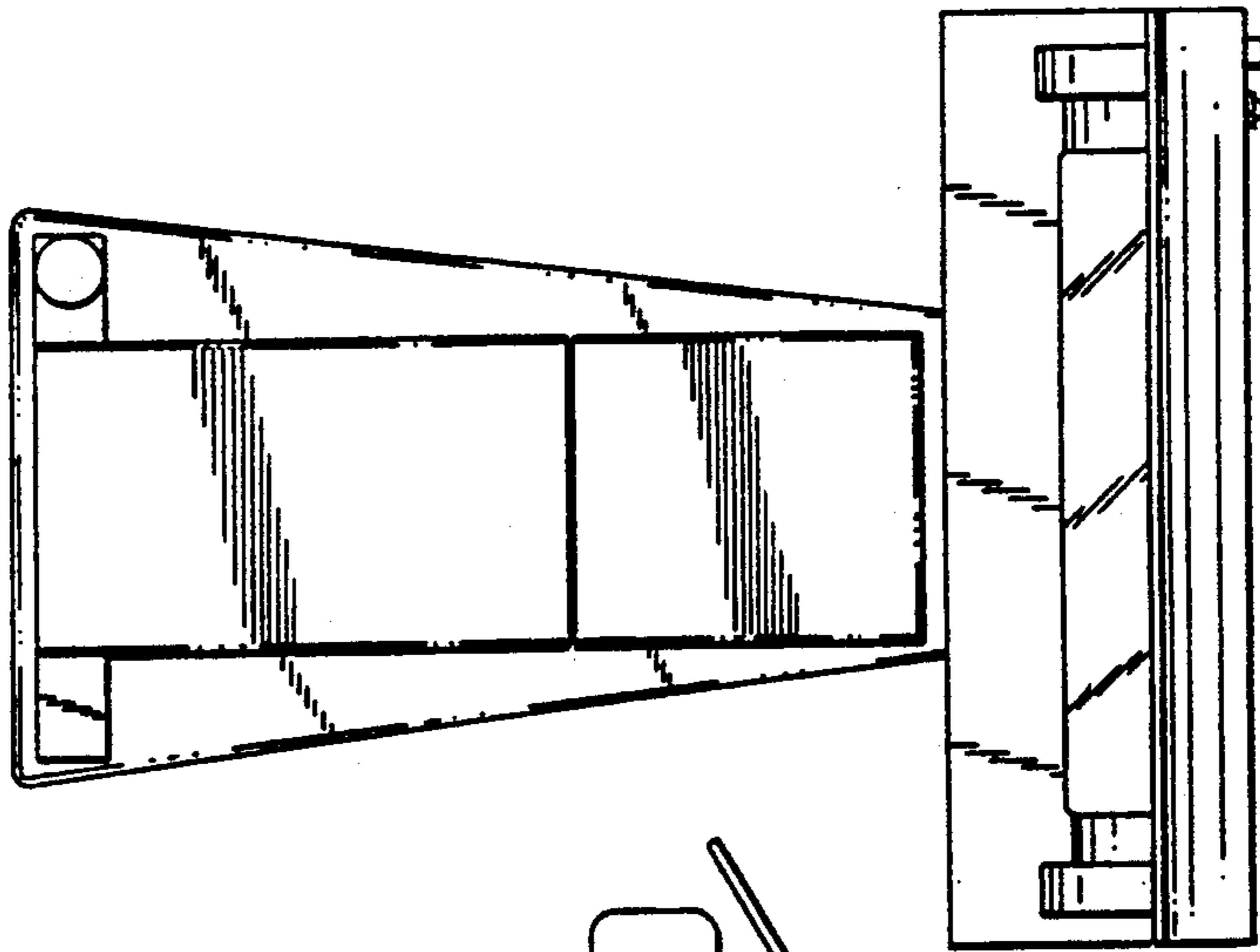


FIG. 5

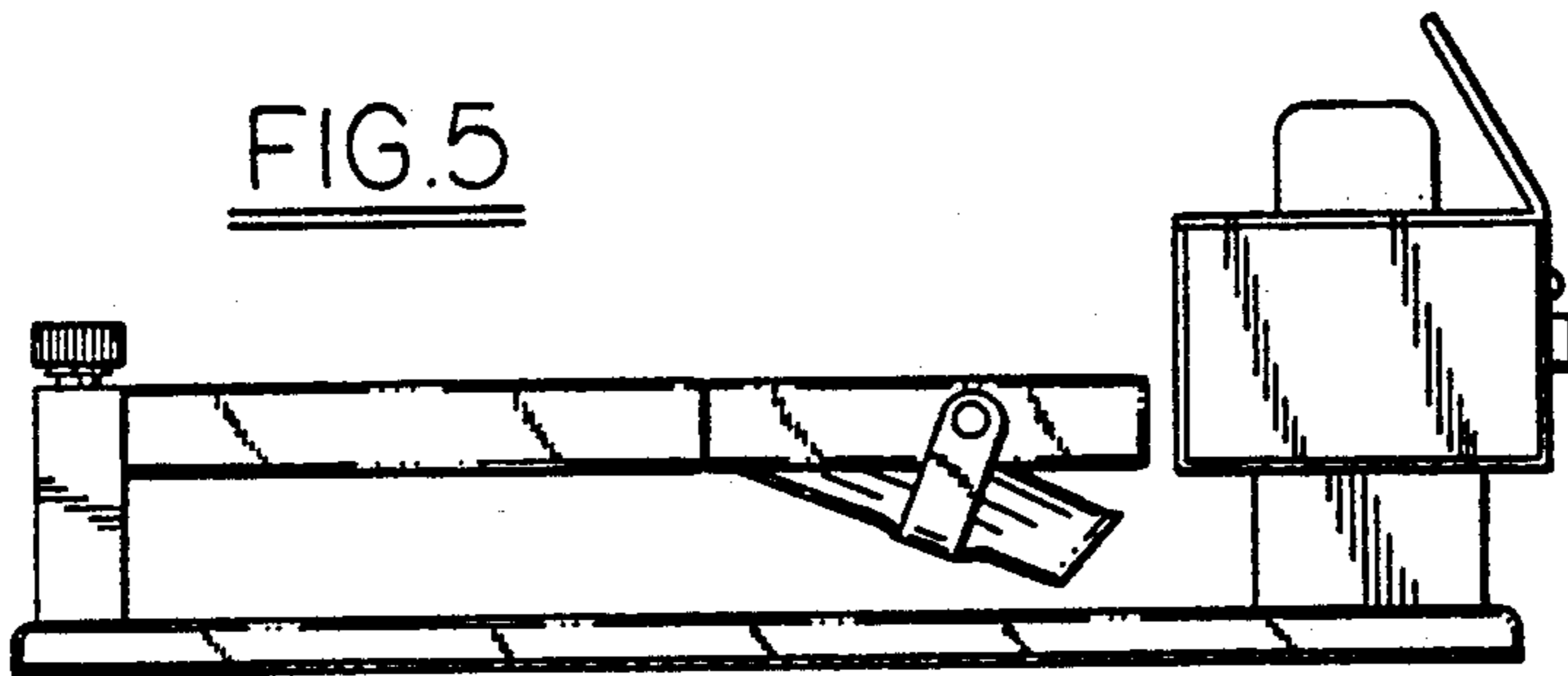


FIG. 6

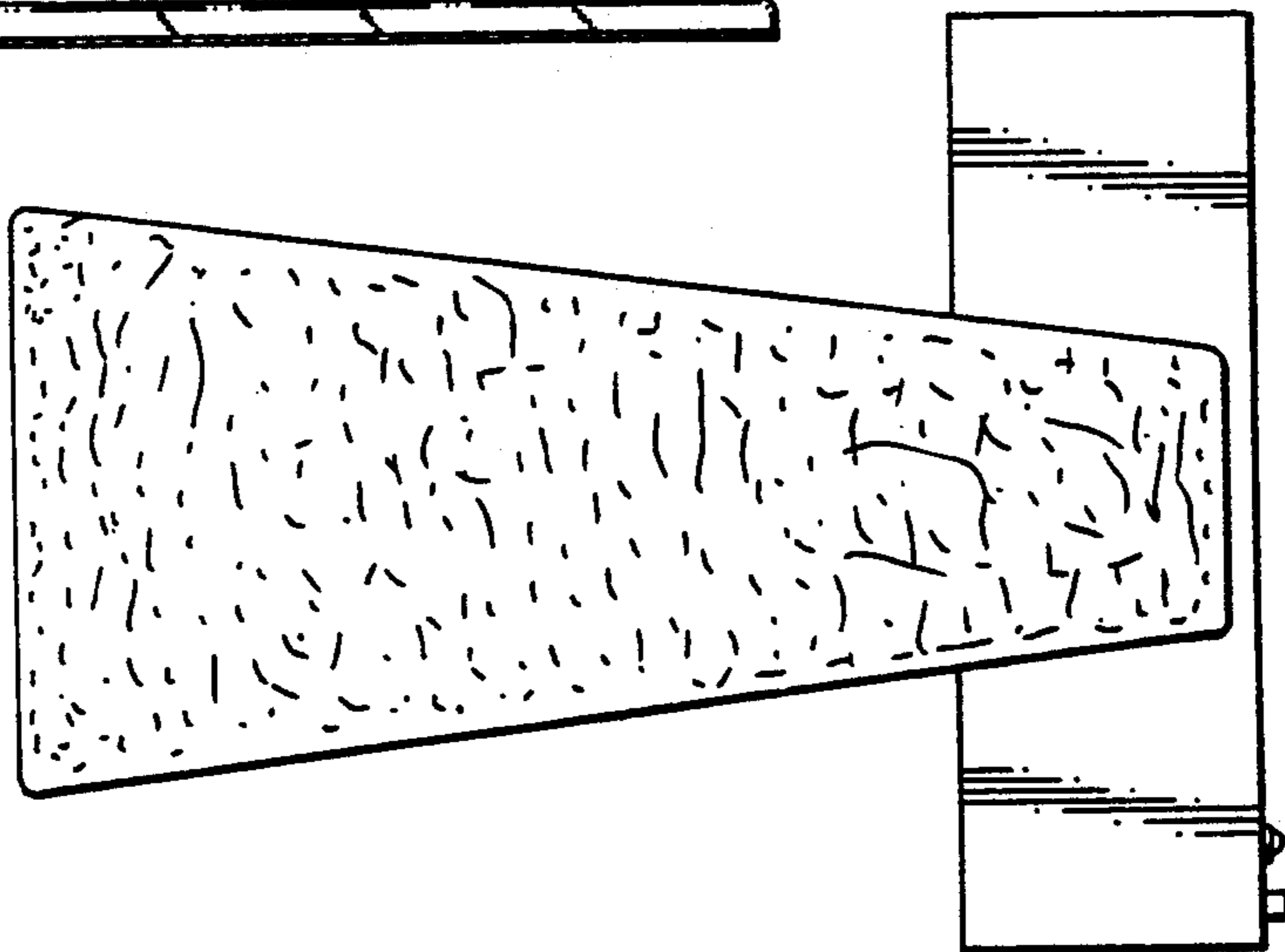


FIG. 7

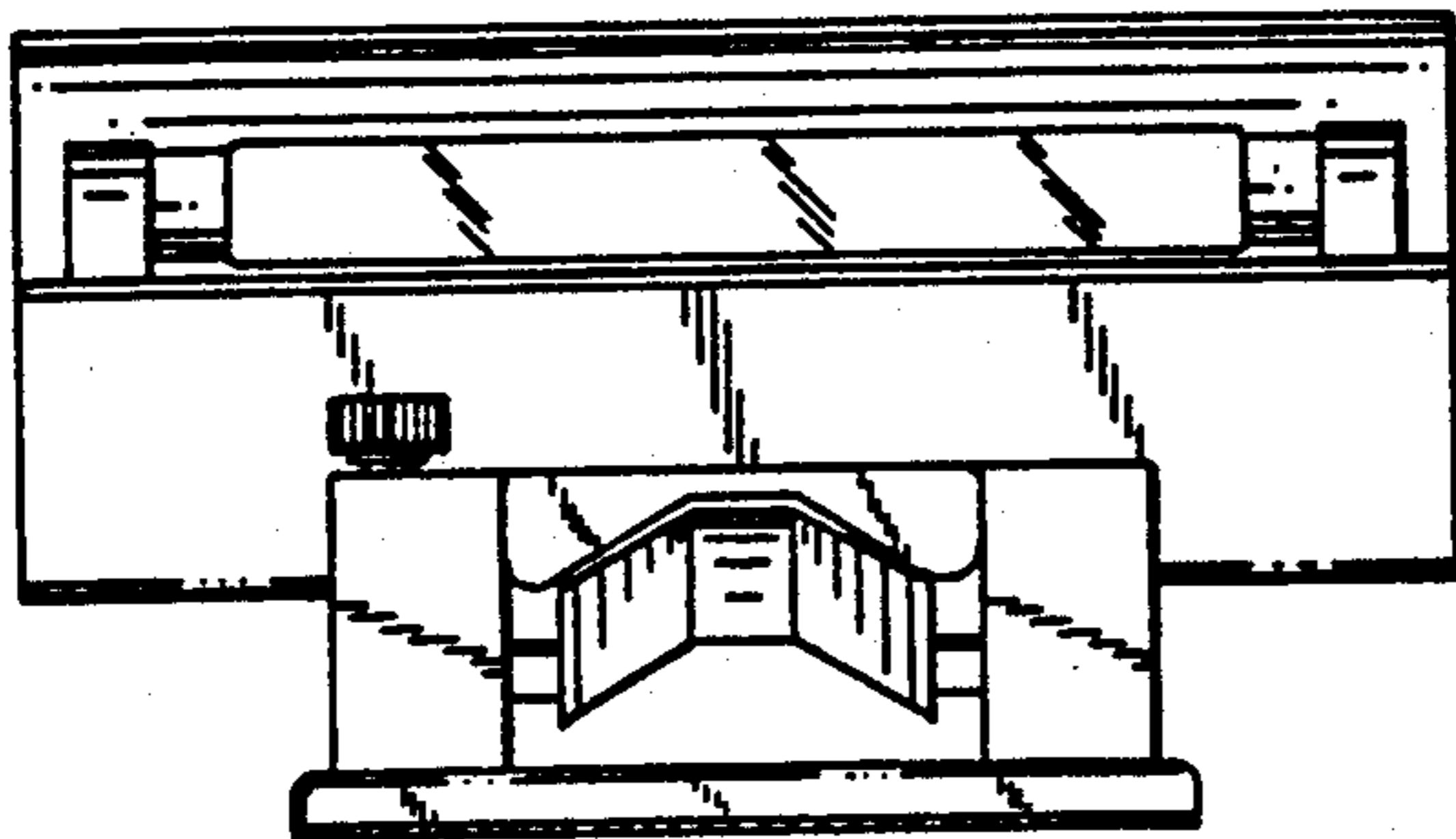


FIG. 8

