



US00D325739S

United States Patent [19]

Hinklin et al.

[11] Patent Number: Des. 325,739

[45] Date of Patent: ** Apr. 28, 1992

[54] HYDRAULIC CULTIVATOR

[75] Inventors: Darrell W. Hinklin, Excelsior;
Richard H. Jacobs, Roseville, both of
Minn.

[73] Assignee: The Toro Company, Minneapolis,
Minn.

[**] Term: 14 Years

[21] Appl. No.: 435,327

[22] Filed: Nov. 13, 1989

[52] U.S. Cl. D15/10

[58] Field of Search D15/10-15;
111/127, 147

[56] **References Cited**

U.S. PATENT DOCUMENTS

D. 269,784 7/1983 Stark D15/12
3,653,550 4/1972 Williams 111/127

4,481,894 11/1984 Brenn 111/127
4,970,973 11/1990 Lyle et al. 111/127

Primary Examiner—Bernard Ansher
Assistant Examiner—Sandra Morris
Attorney, Agent, or Firm—Merchant, Gould, Smith,
Edell, Welter & Schmidt

[57] **CLAIM**

The ornamental design for a hydraulic cultivator, as shown and described.

DESCRIPTION

FIG. 1 is a perspective view of a hydraulic cultivator showing our new design;
FIG. 2 is a rear elevational view;
FIG. 3 is a right side elevational view;
FIG. 4 is a left side elevational view;
FIG. 5 is a top plan view;
FIG. 6 is a bottom plan view; and,
FIG. 7 is a front elevational view.

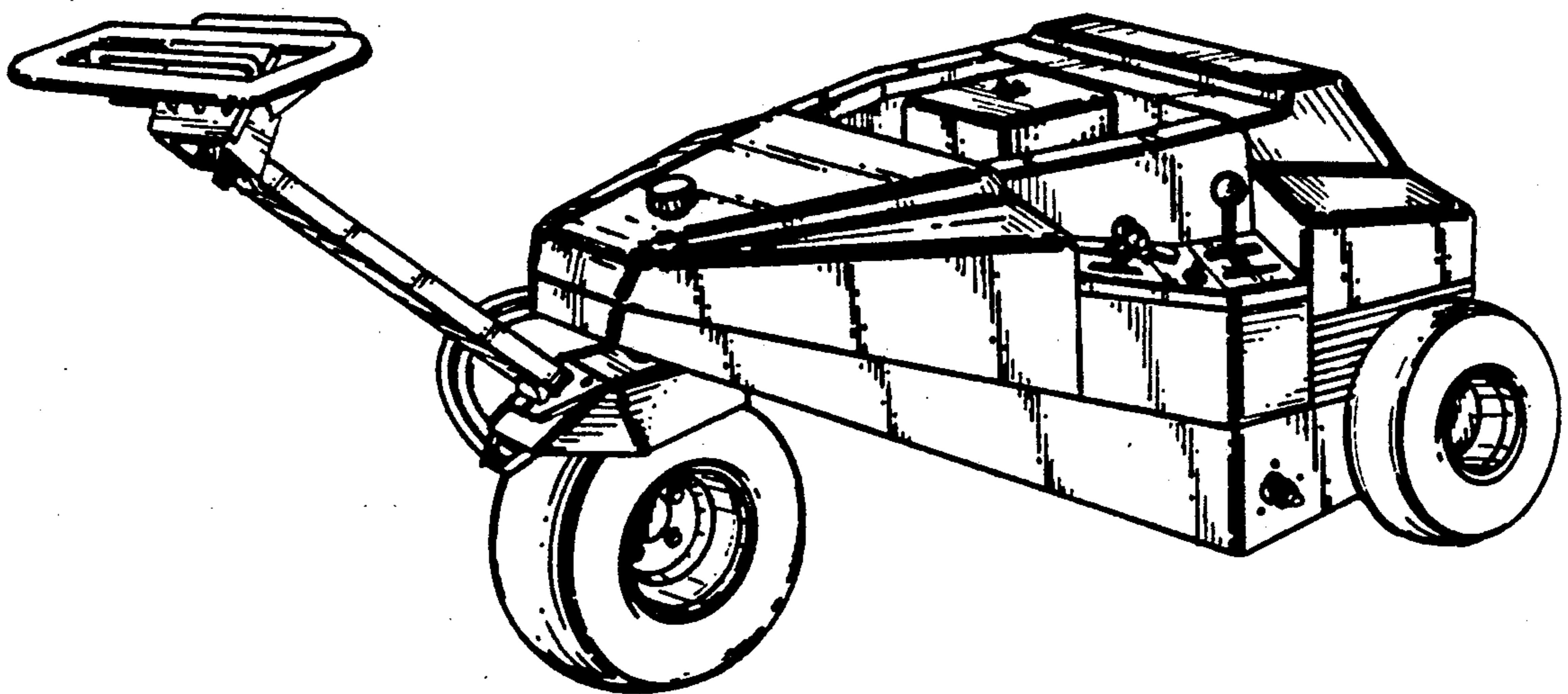


FIG. 1

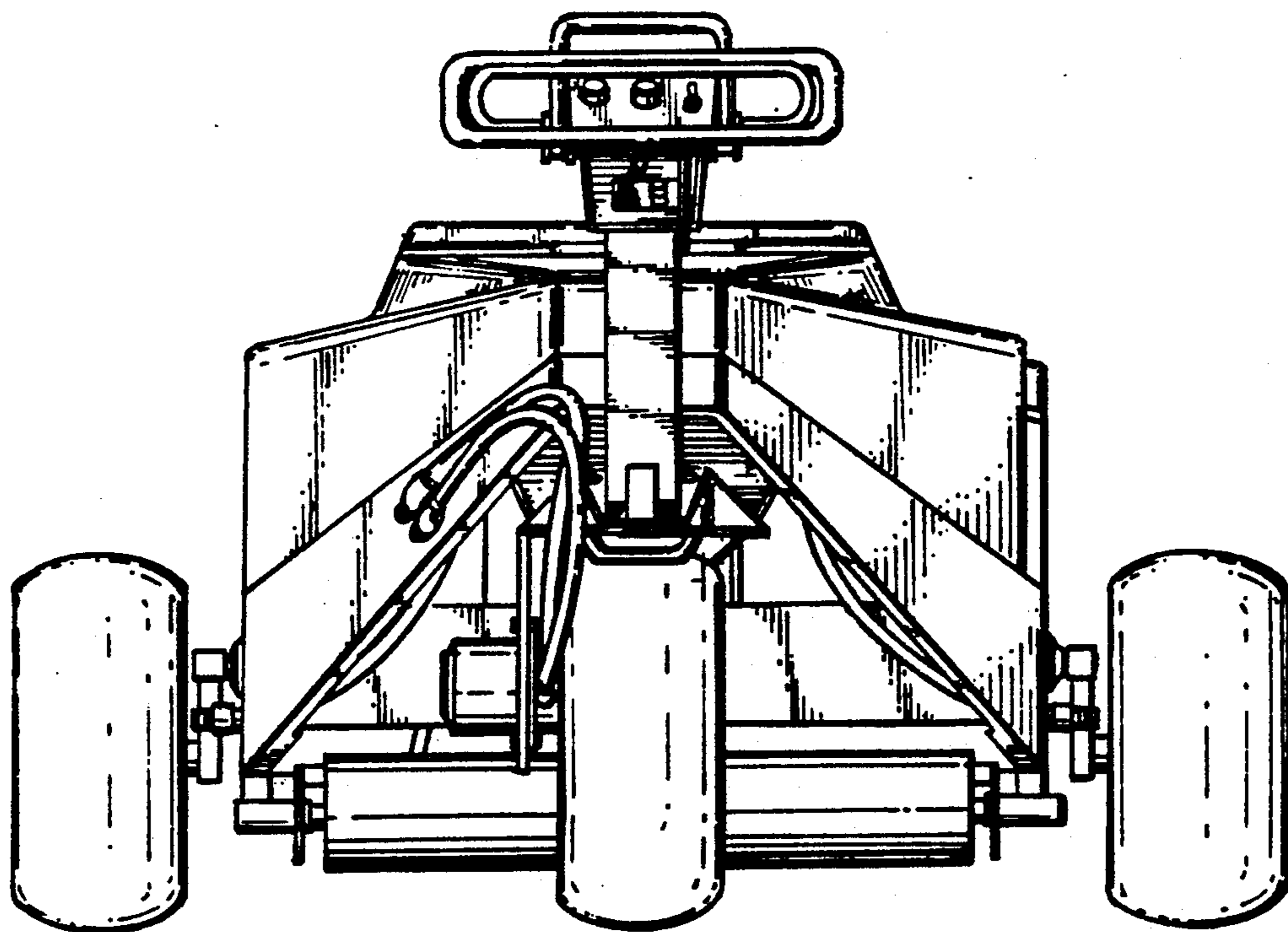
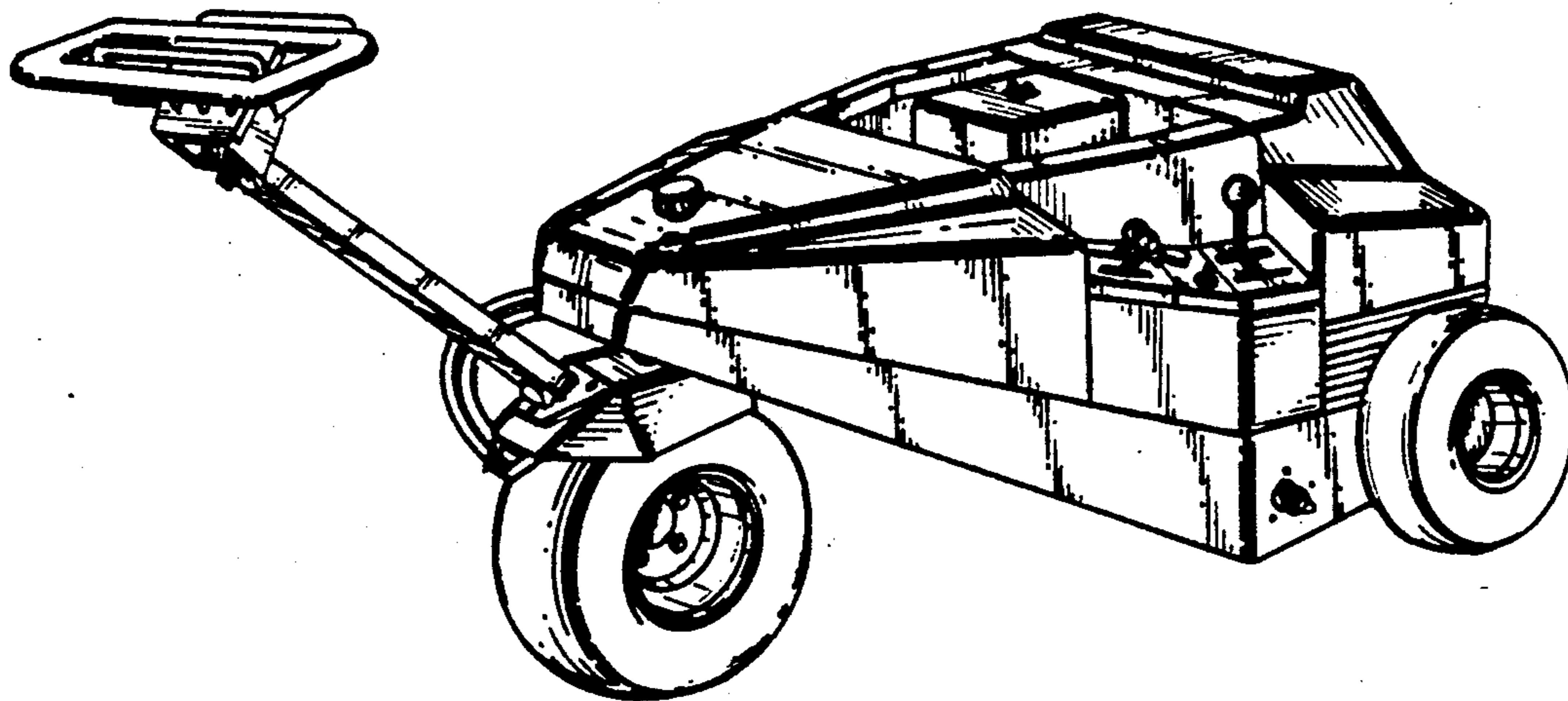


FIG. 2

FIG. 3

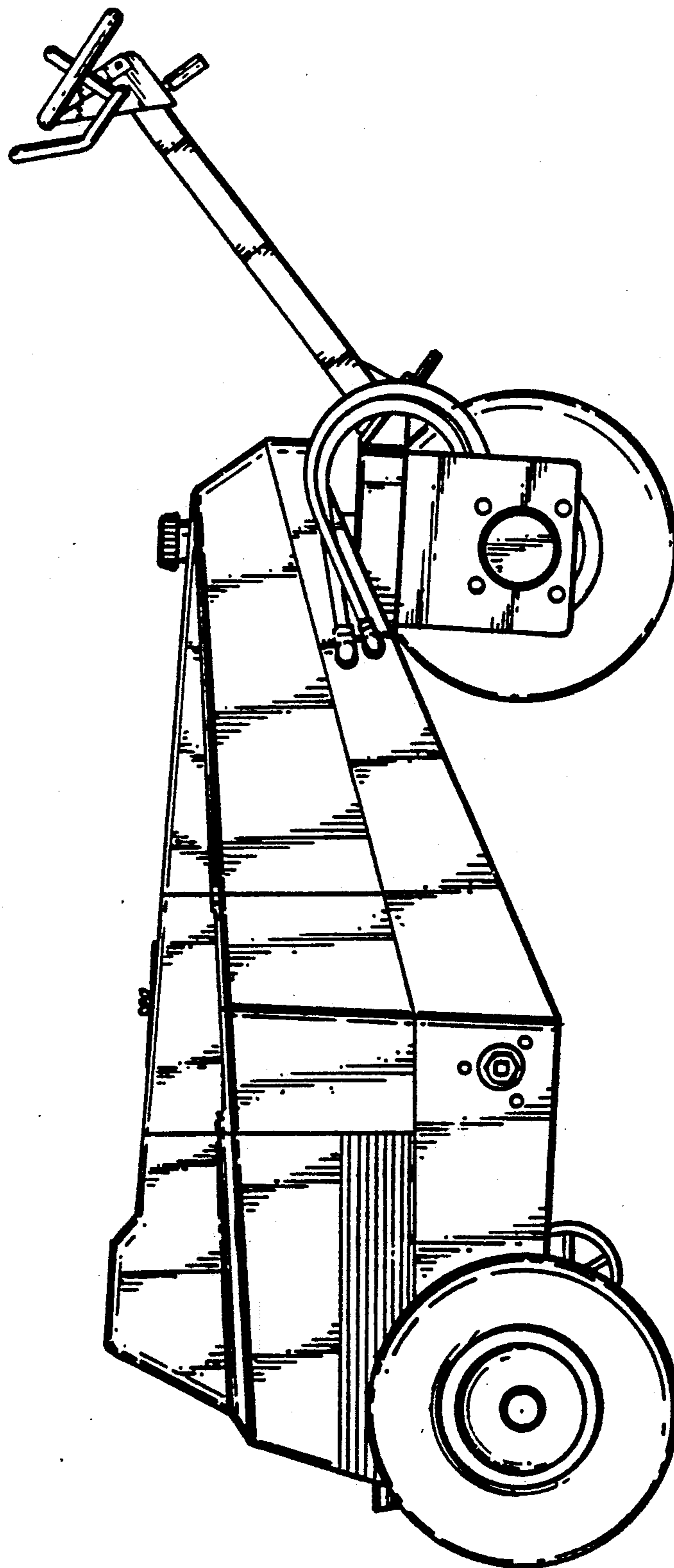
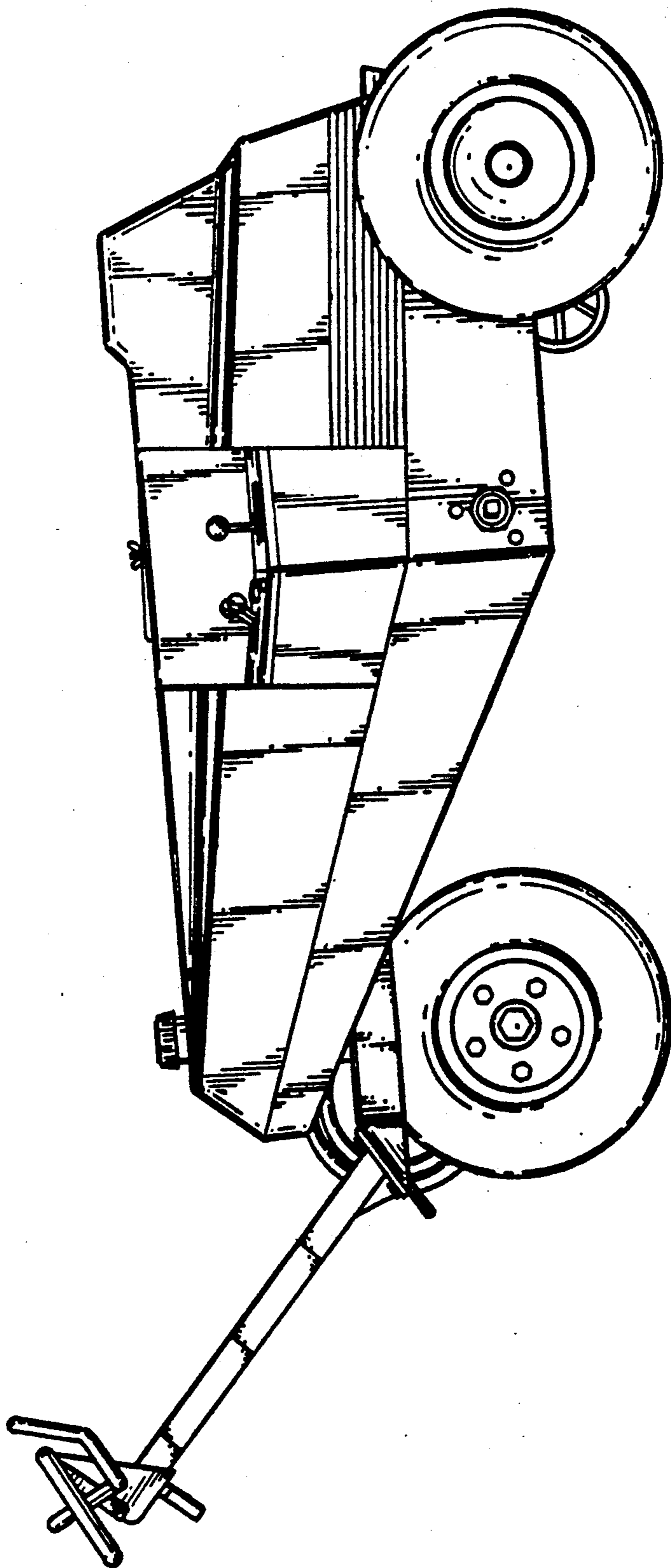


FIG. 4



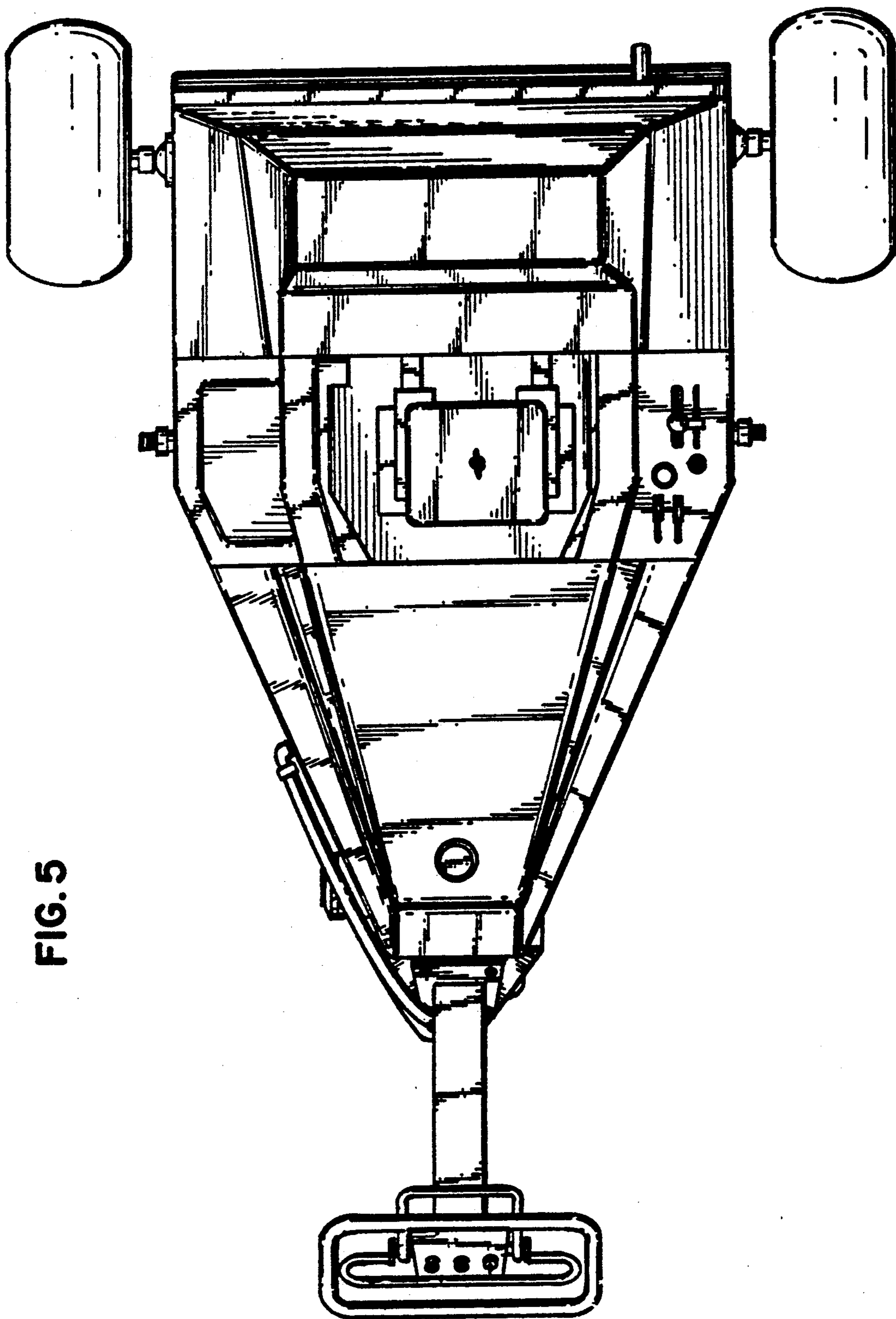


FIG. 5

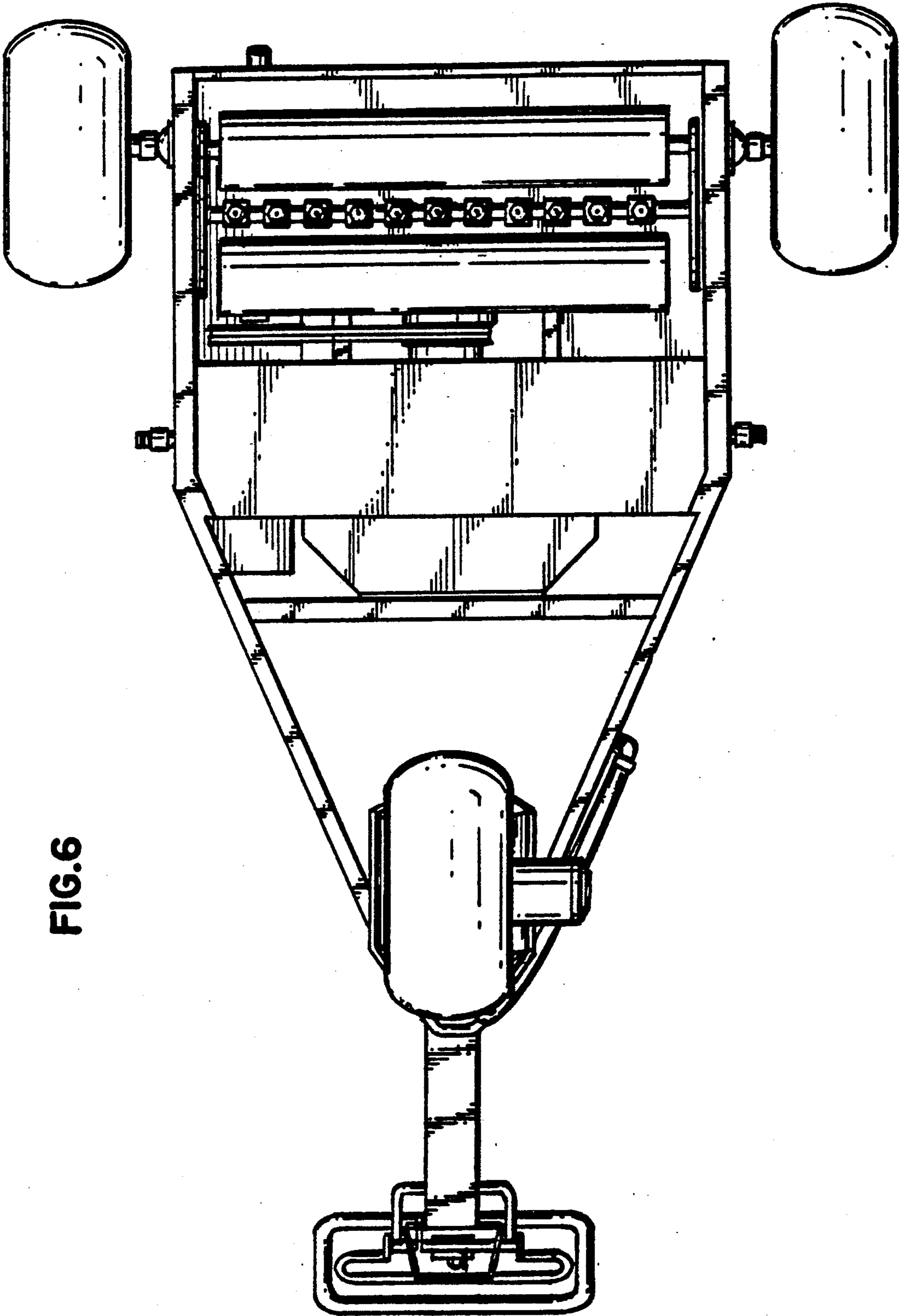


FIG. 6

FIG. 7

