



US00D325736S

United States Patent [19]

Chen

[11] Patent Number: Des. 325,736

[45] Date of Patent: ** Apr. 28, 1992

[54] VIDEO TAPE CLEANER

[76] Inventor: Yong E. Chen, Rm. C, 12 Fl., 50 Fu Hsing N. Rd., Taipei, Taiwan

[**] Term: 14 Years

[21] Appl. No.: 388,910

[22] Filed: Aug. 3, 1989

[52] U.S. Cl. D14/217; D14/239

[58] Field of Search D14/124, 162, 217, 239, D14/260; D32/35; 242/179, 197, 199, 200, 201

[56] **References Cited**

U.S. PATENT DOCUMENTS

D. 288,018	1/1987	Kawabe	D32/35
D. 289,279	4/1987	Liu	D14/217
D. 317,161	5/1991	Hsu	D14/217
D. 319,244	8/1991	Yeh	D14/217
4,614,991	9/1986	Murakami	242/200 X

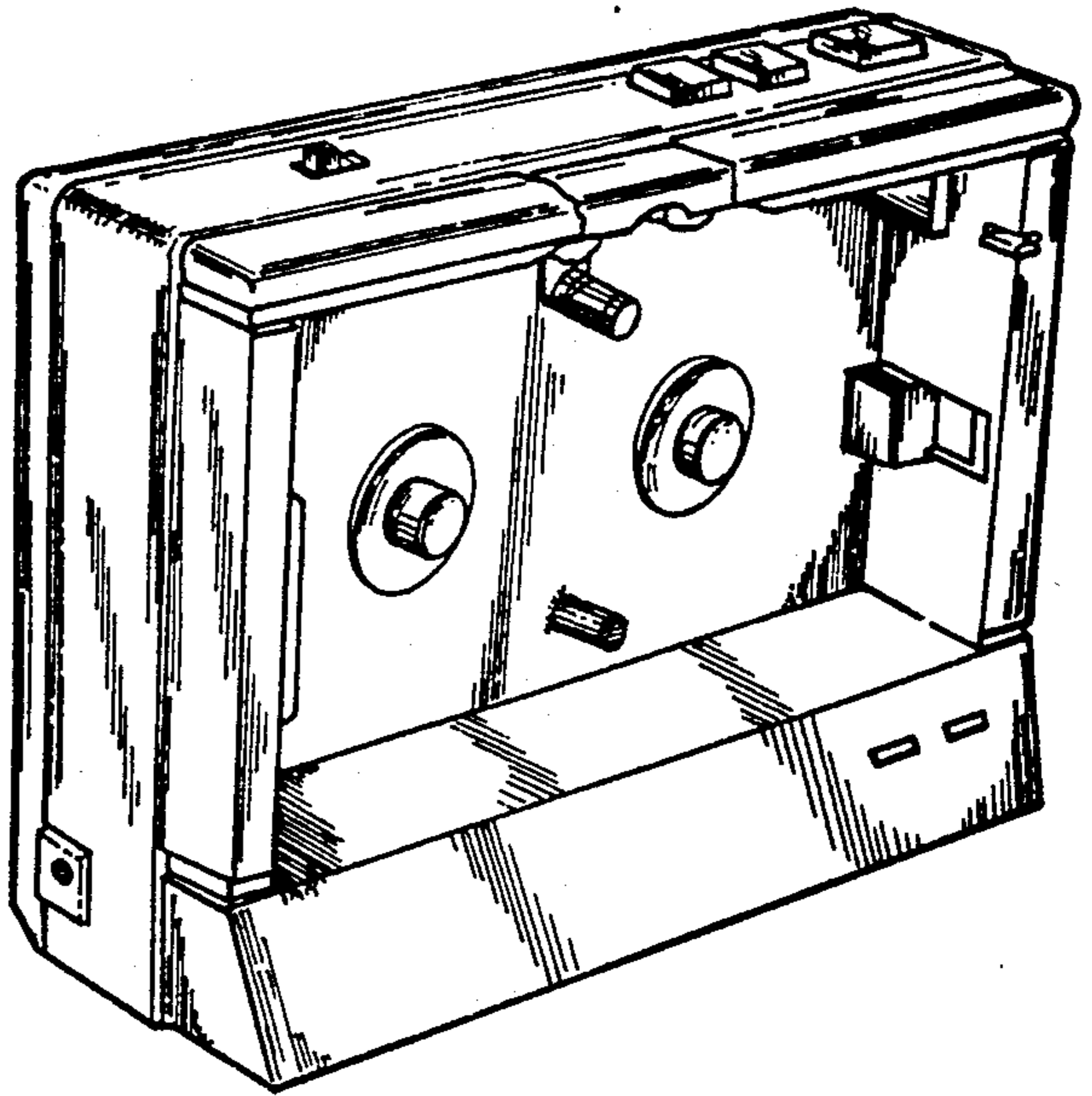
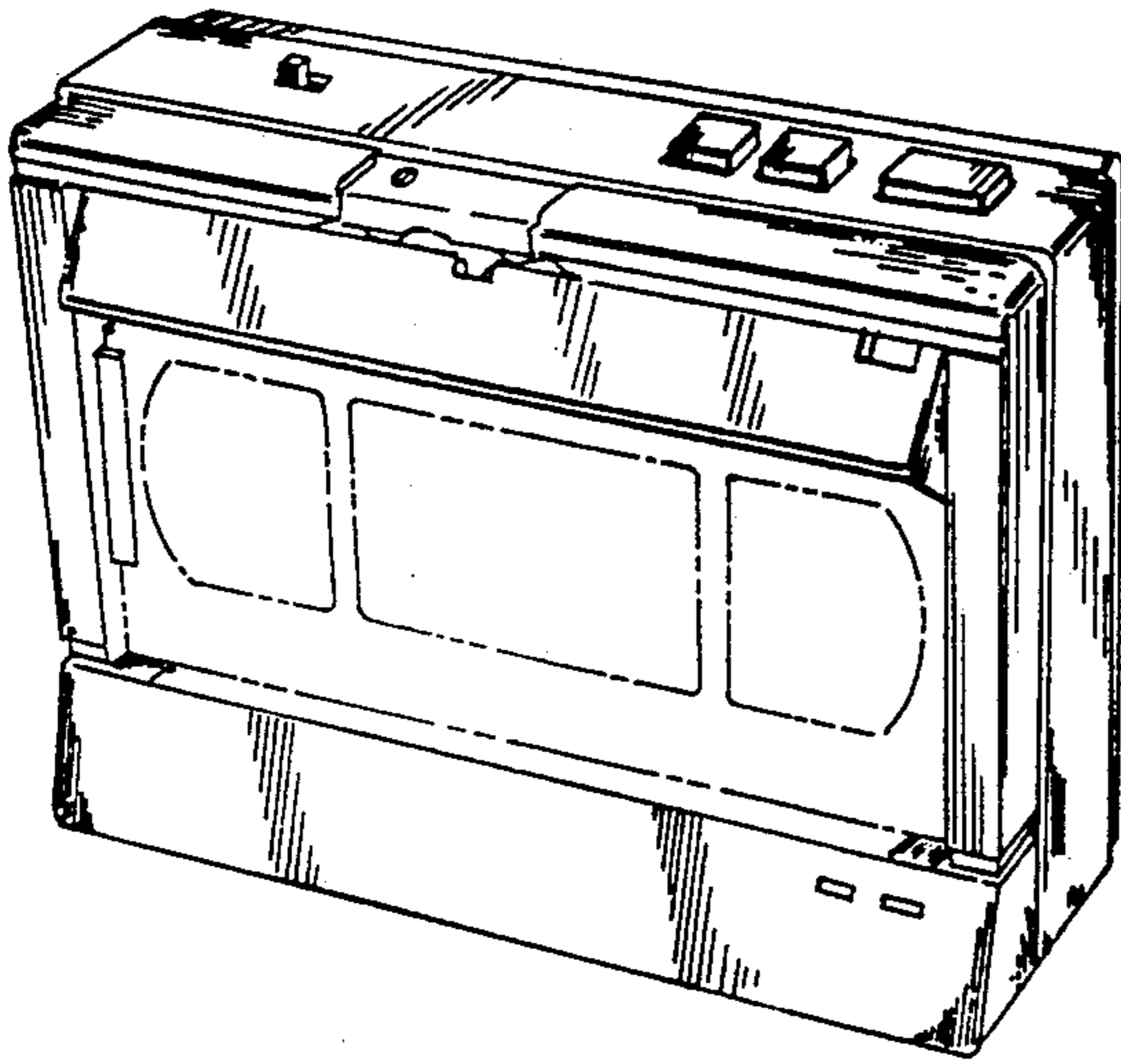
Primary Examiner—Theodore M. Shooman
Attorney, Agent, or Firm—Bacon & Thomas

[57] **CLAIM**

The ornamental design for a video tape cleaner, as shown and described.

DESCRIPTION

FIG. 1 is a top, front and right side perspective view of a video tape cleaner showing my new design, the broken line showing of the video tape is for illustrative purposes only and forms no part of the claimed design; FIG. 2 is a top, front and left side perspective view thereof; FIG. 3 is a front elevational view thereof; FIG. 4 is a rear elevational view thereof; FIG. 5 is a top plan view thereof; FIG. 6 is a bottom plan view thereof; FIG. 7 is a right side elevational view thereof; and, FIG. 8 is a left side elevational view thereof.



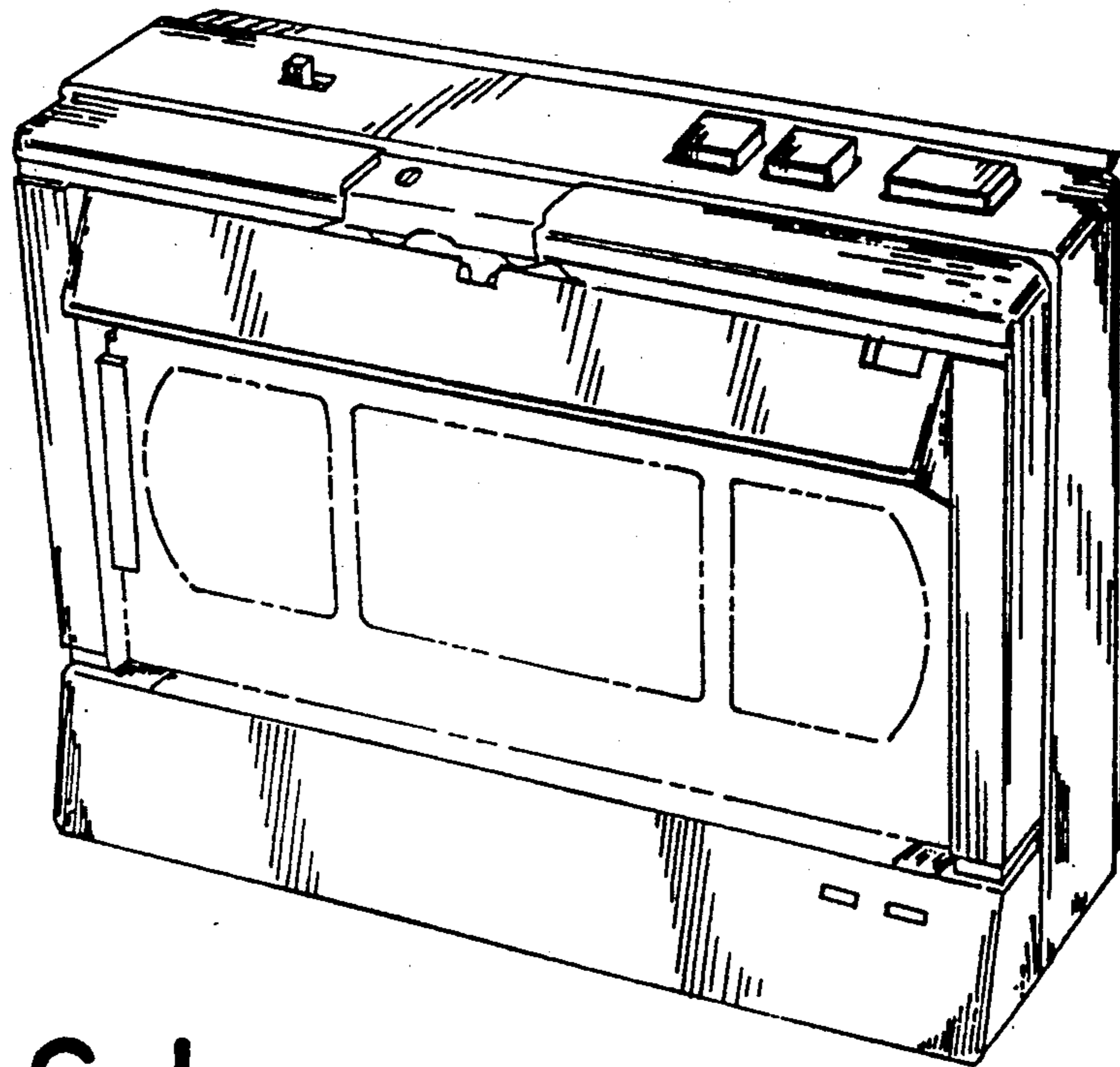


FIG. 1

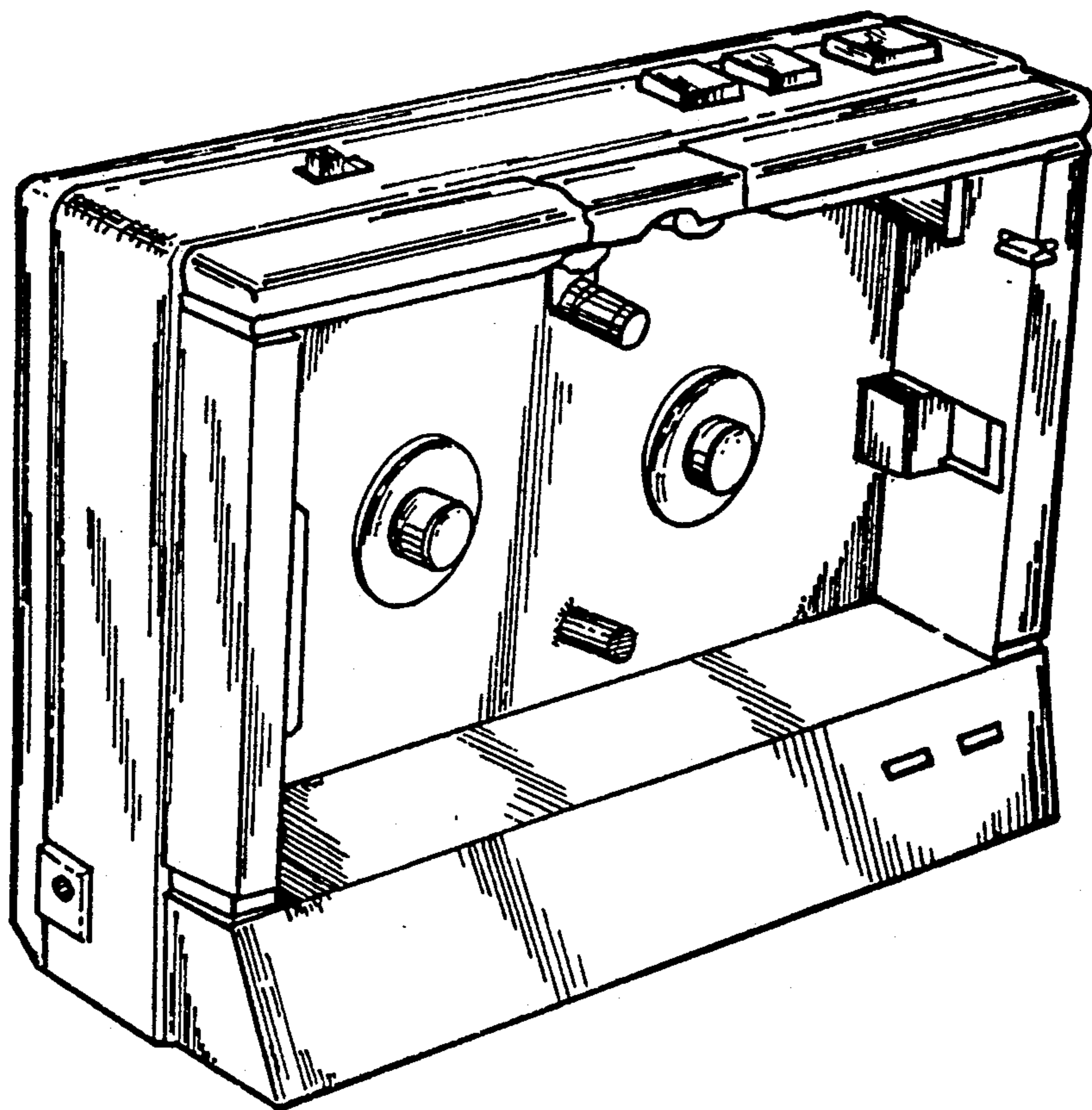


FIG. 2

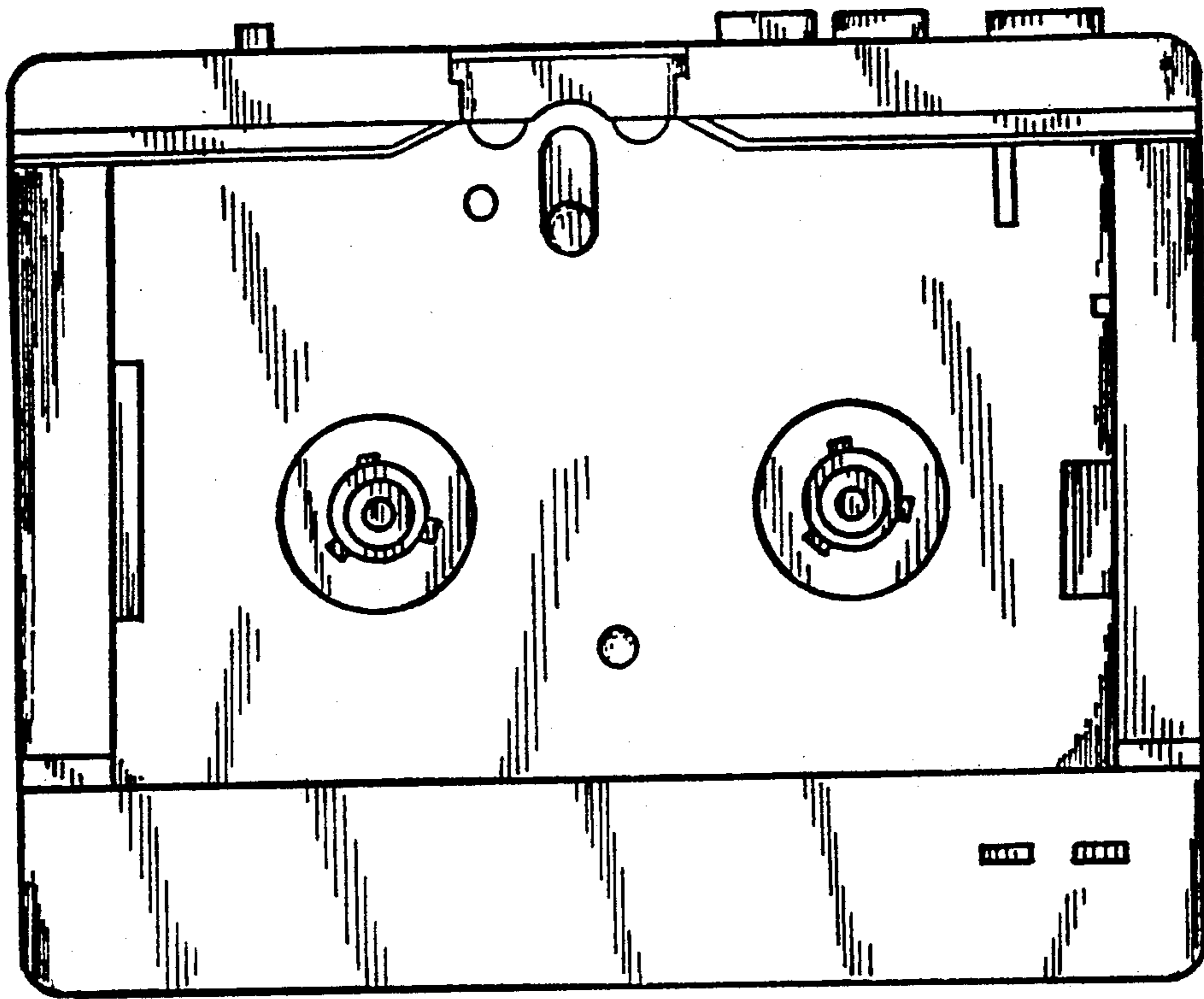


FIG. 3

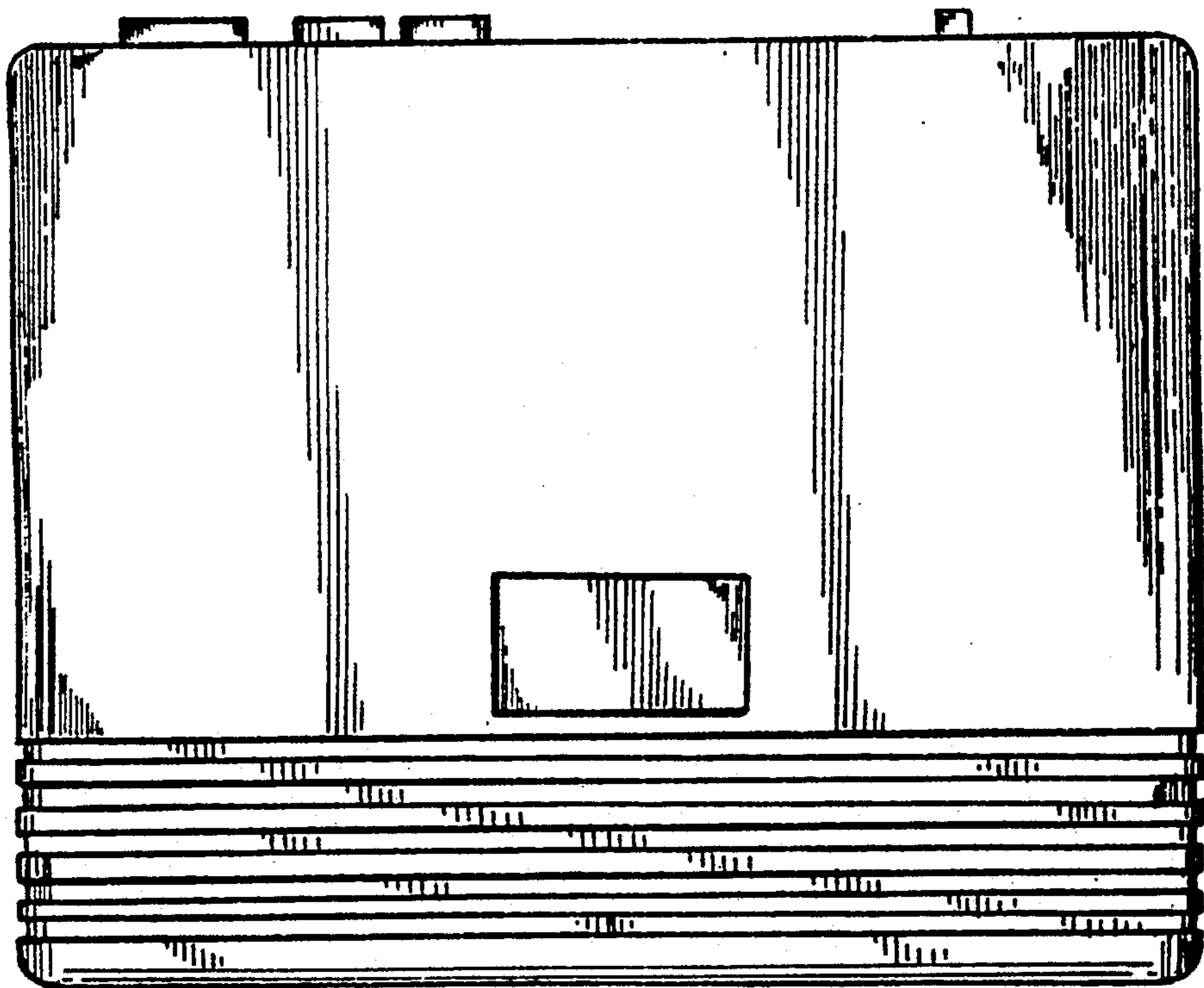


FIG. 4

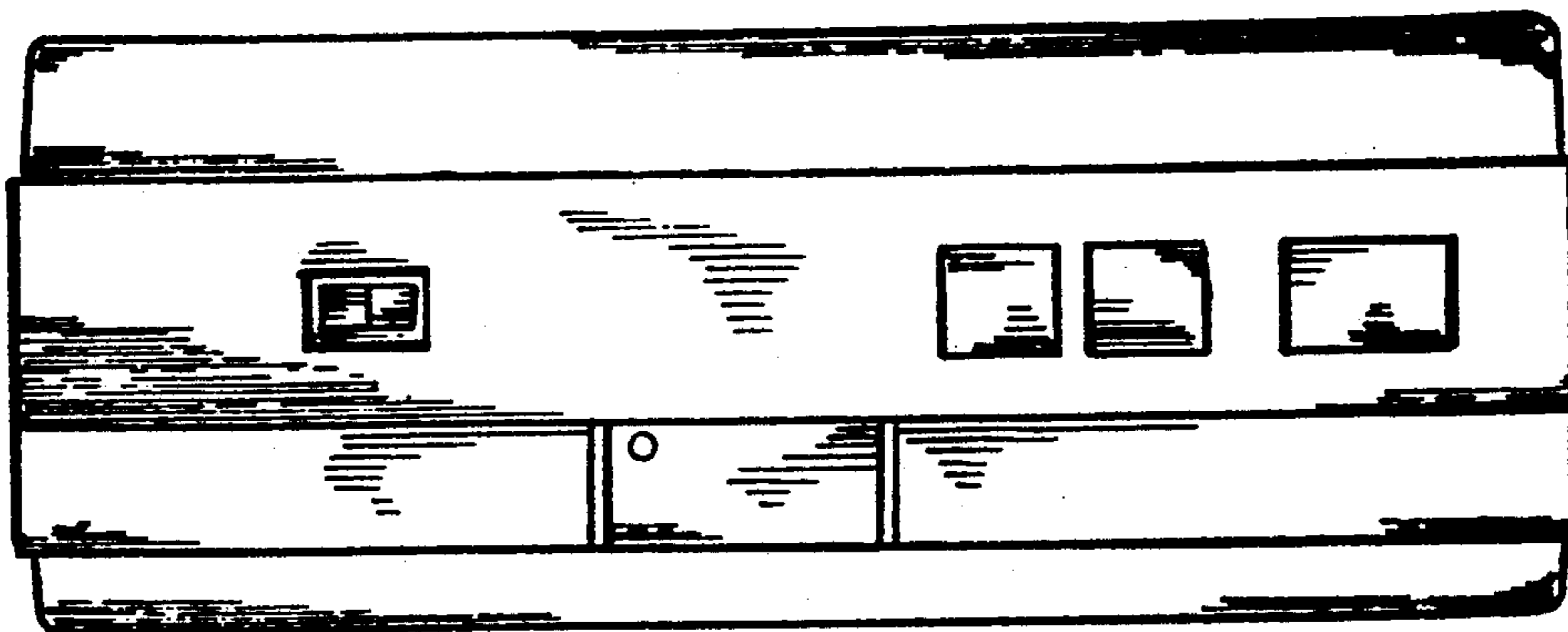


FIG. 5

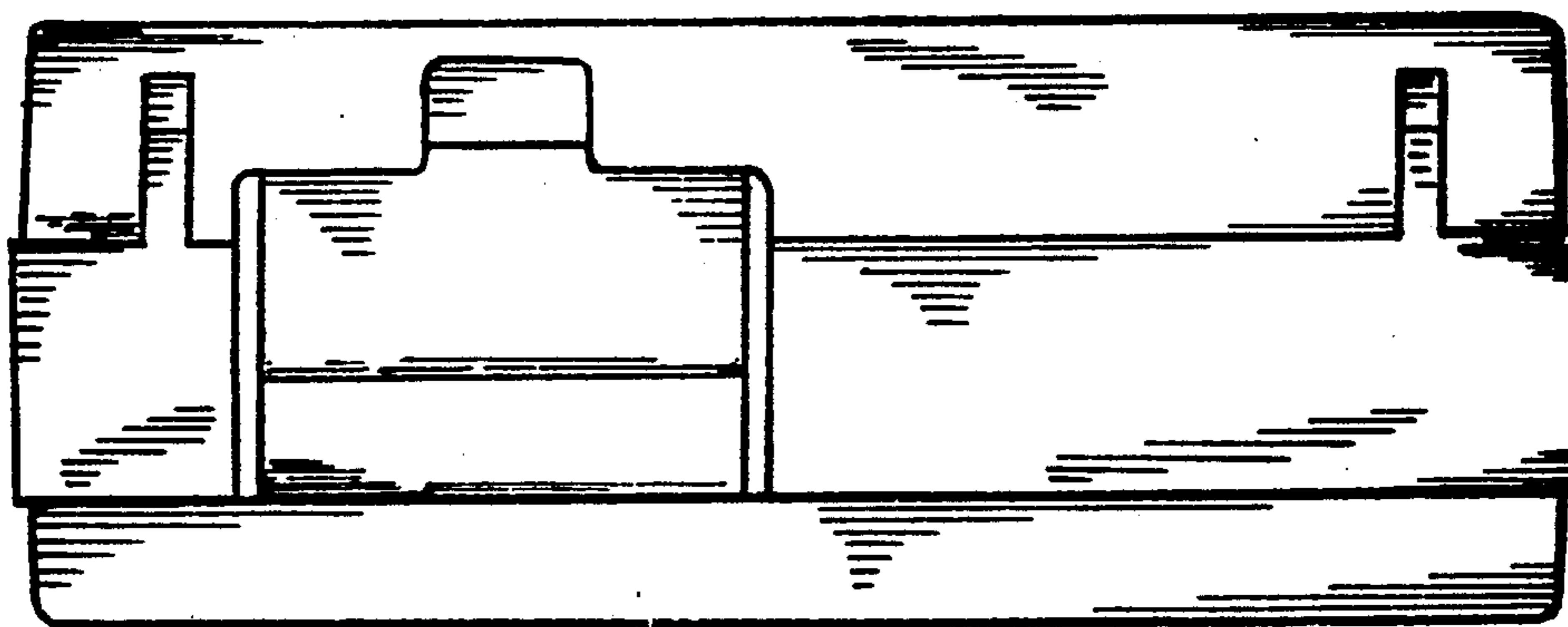


FIG. 6

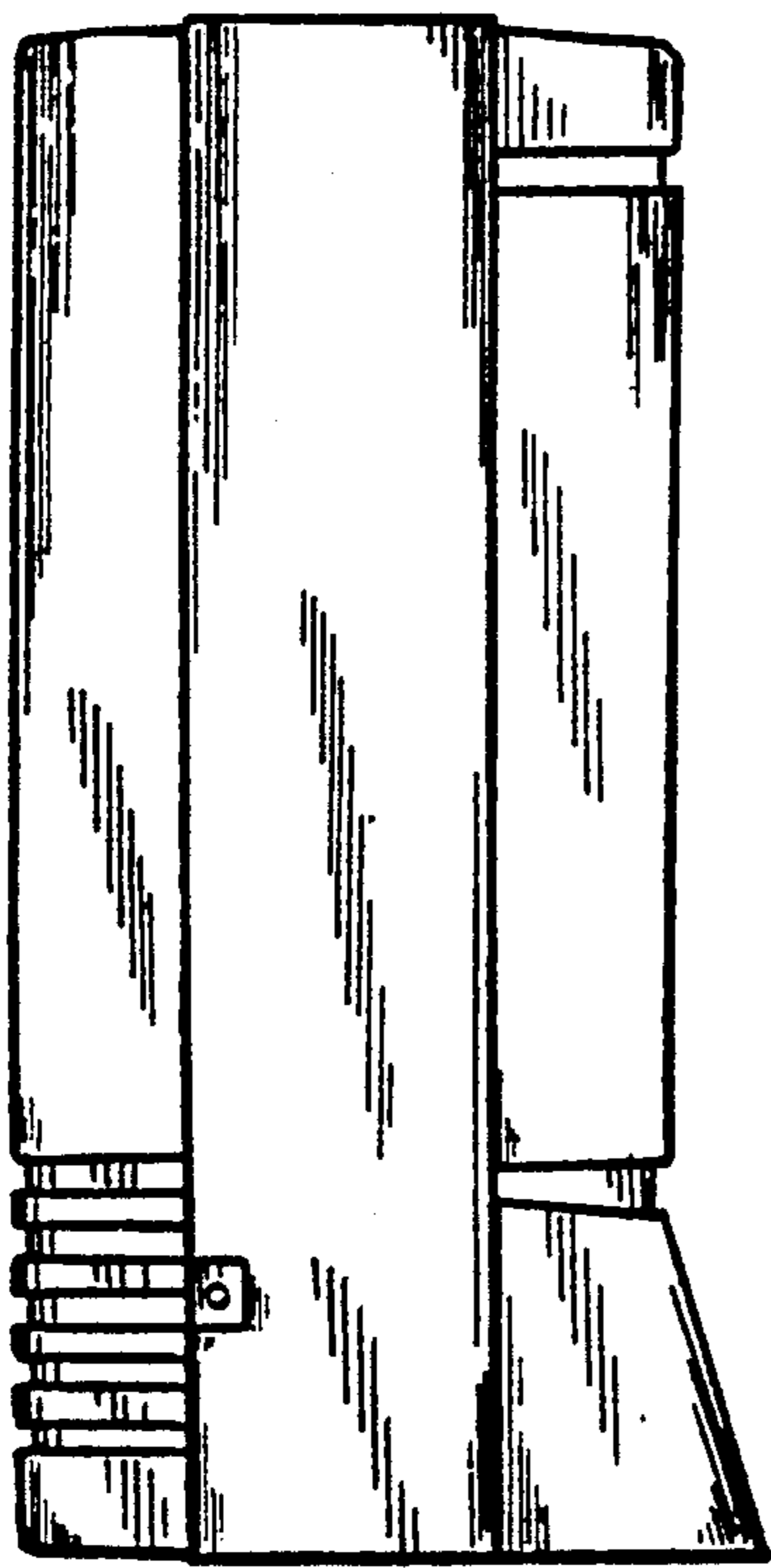


FIG. 8

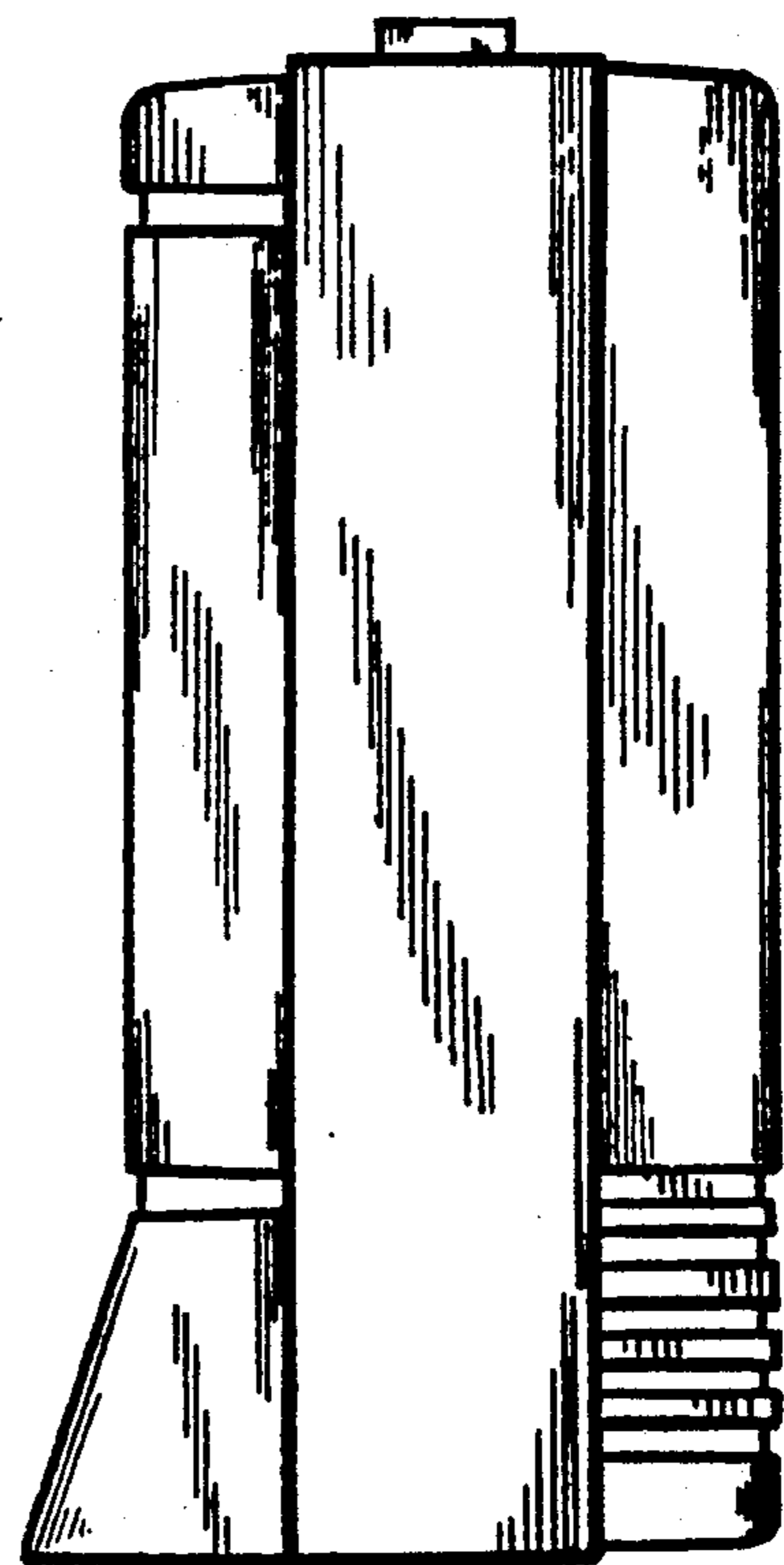


FIG. 7