



US00D325733S

United States Patent [19]

[11] Patent Number: **Des. 325,733**

Suzuki et al.

[45] Date of Patent: **** Apr. 28, 1992**

[54] **TRANSMITTER FOR A TRANSCEIVER**

D. 279,471 7/1985 Nakashima D14/159
D. 283,892 5/1986 Cutler D14/137

[75] Inventors: **Hideo Suzuki, Ryugasaki; Shinichi Ogasawara, Yokohama, both of Japan**

OTHER PUBLICATIONS

Hong Kong Enterprise, Jan./1985, p. 224, FM Wireless Intercoms, Baby Monitor and Speakerphones.

[73] Assignee: **Sony Corporation, Tokyo, Japan**

Primary Examiner—Theodore M. Shooman
Attorney, Agent, or Firm—Lewis H. Eslinger; Jay H. Maioli

[**] Term: **14 Years**

[21] Appl. No.: **344,851**

[22] Filed: **Apr. 28, 1989**

[57] **CLAIM**

The ornamental design for a transmitter for a transceiver, as shown and described.

[30] **Foreign Application Priority Data**

Sep. 1, 1988 [JP] Japan 63-34595
[52] U.S. Cl. **D14/155; D14/137**
[58] Field of Search D14/124, 137, 155, 157, D14/159, 188, 258, 265, 299; 455/73, 89-90, 128

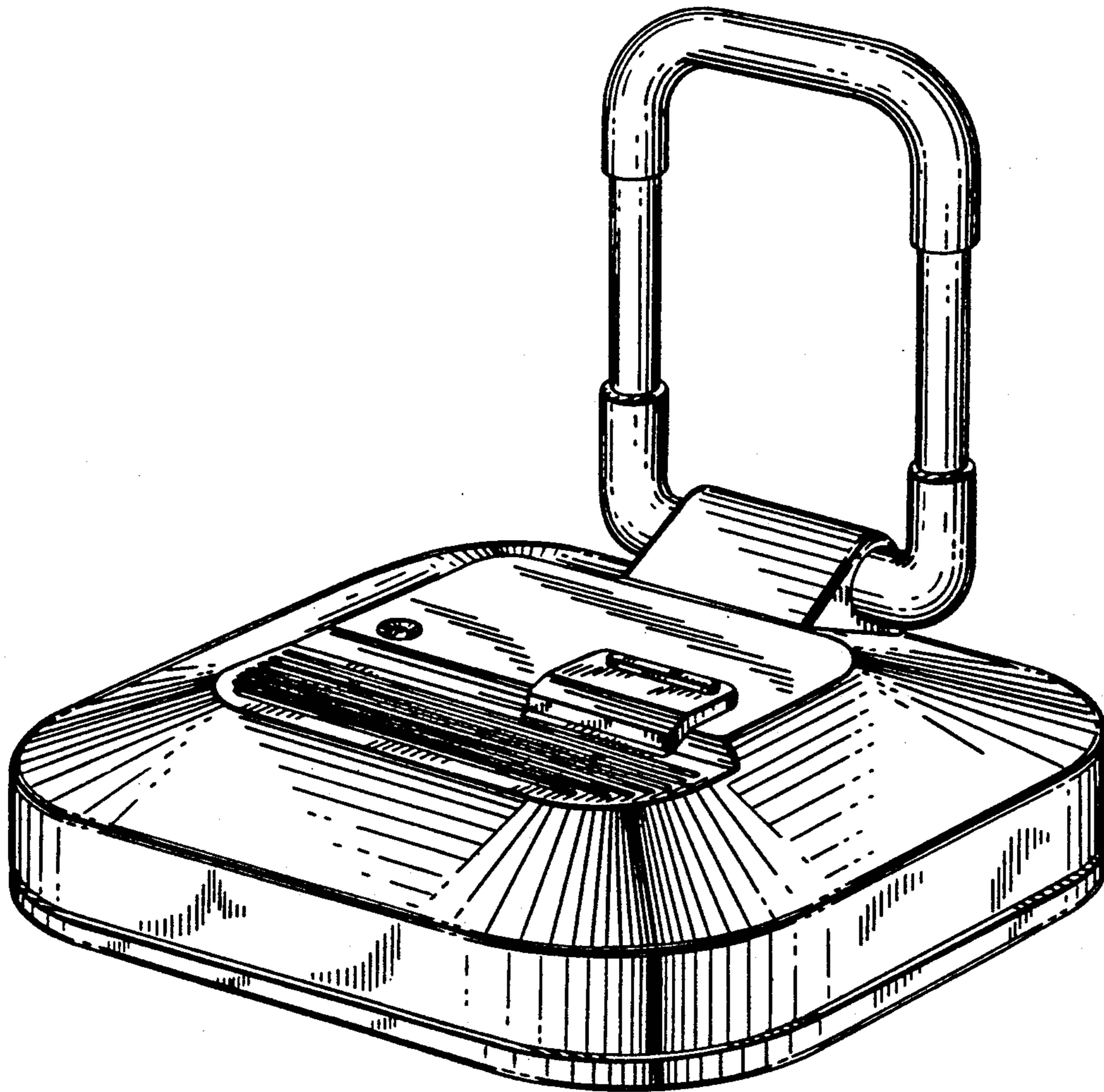
DESCRIPTION

FIG. 1 is a top, front, and right-side perspective view of a transmitter for a transceiver, showing our new design; FIG. 2 is a front elevational view thereof; FIG. 3 is a rear elevational view thereof; FIG. 4 is a left-side elevational view thereof; FIG. 5 is a right-side elevational view thereof; FIG. 6 is a top plan view thereof; and, FIG. 7 is a bottom plan view thereof.

[56] **References Cited**

U.S. PATENT DOCUMENTS

D. 263,474 3/1982 Tokiyama D14/137
D. 272,443 1/1984 Wong et al. D14/155



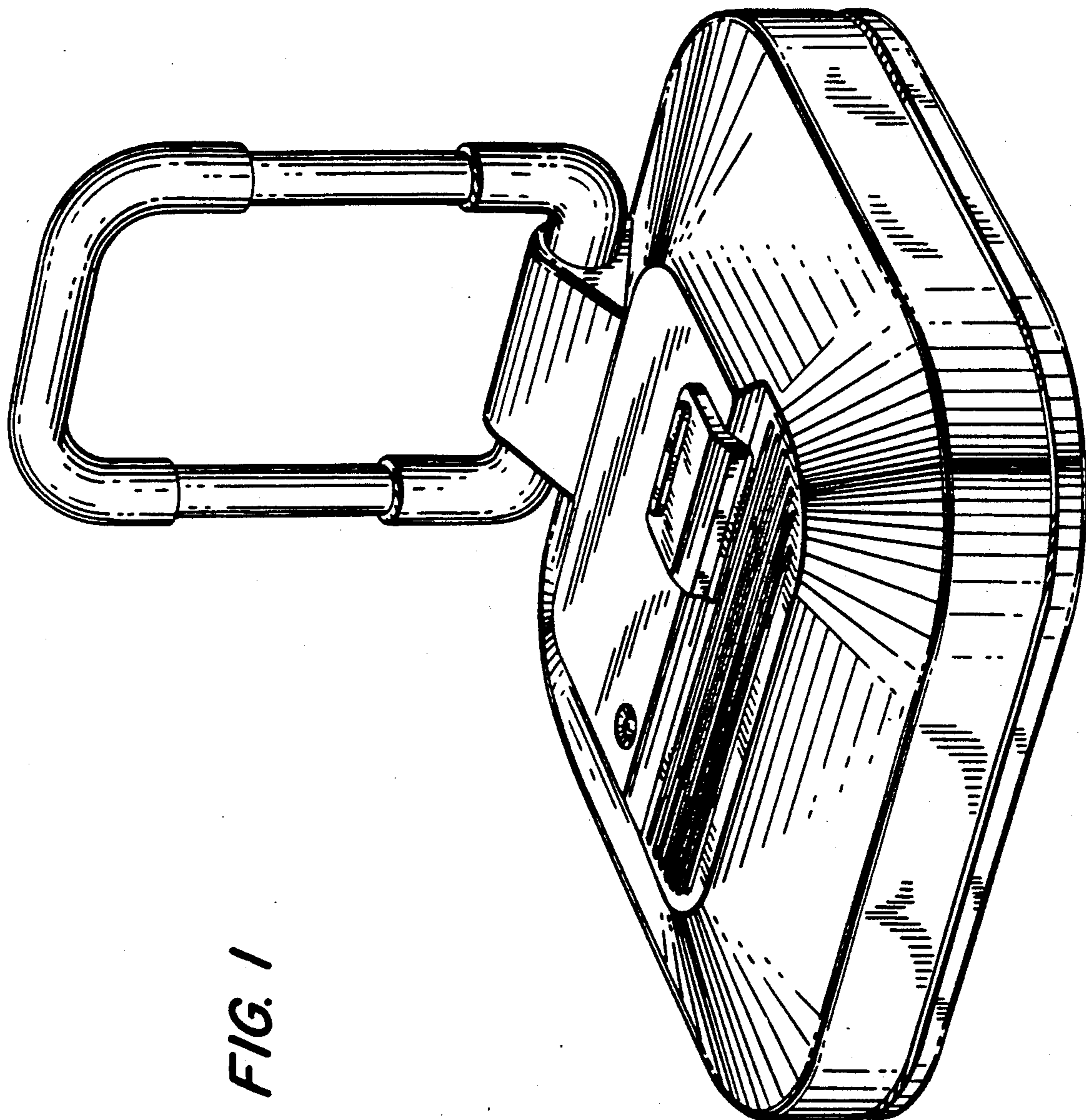


FIG. 1

FIG. 2

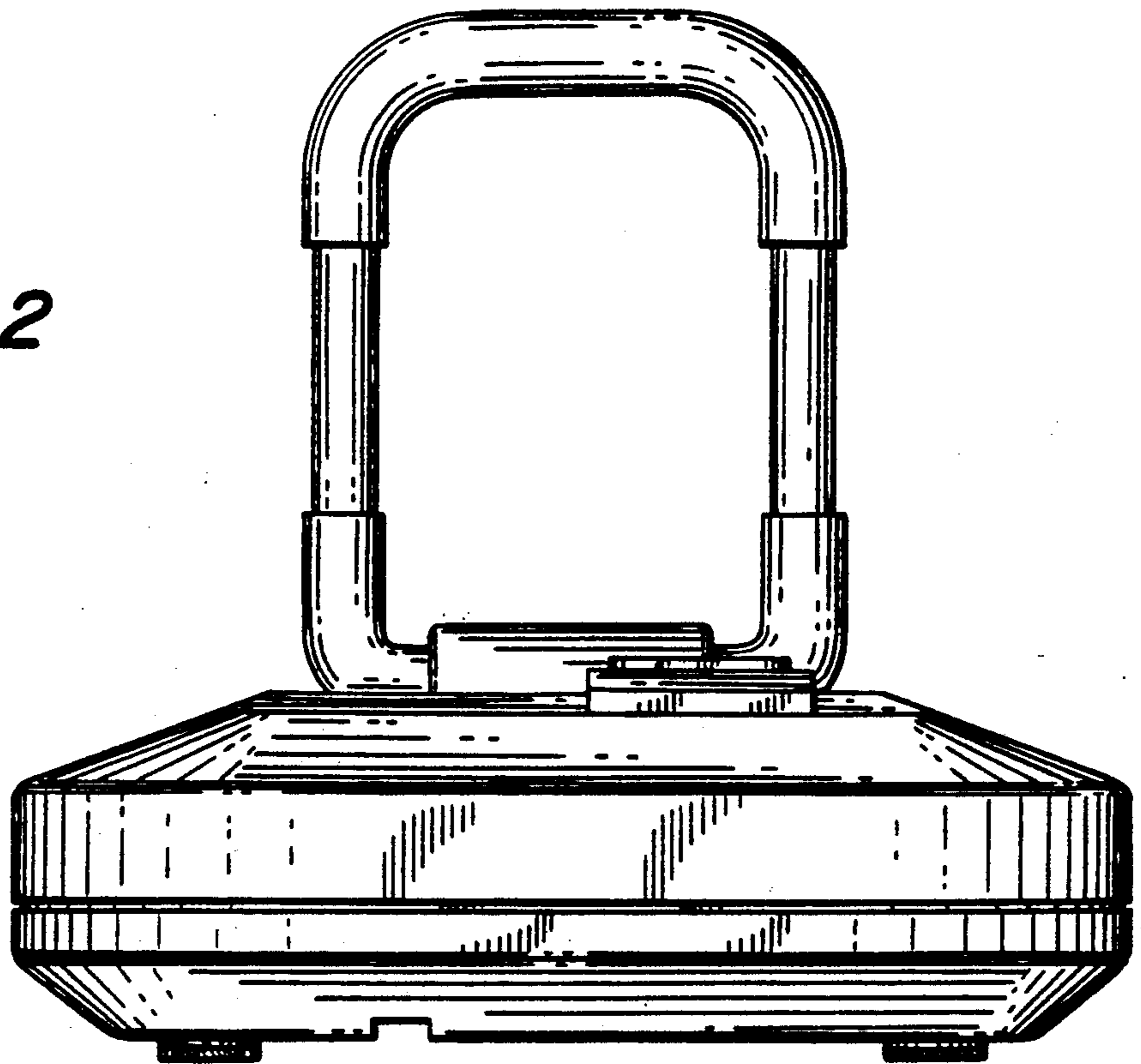


FIG. 6

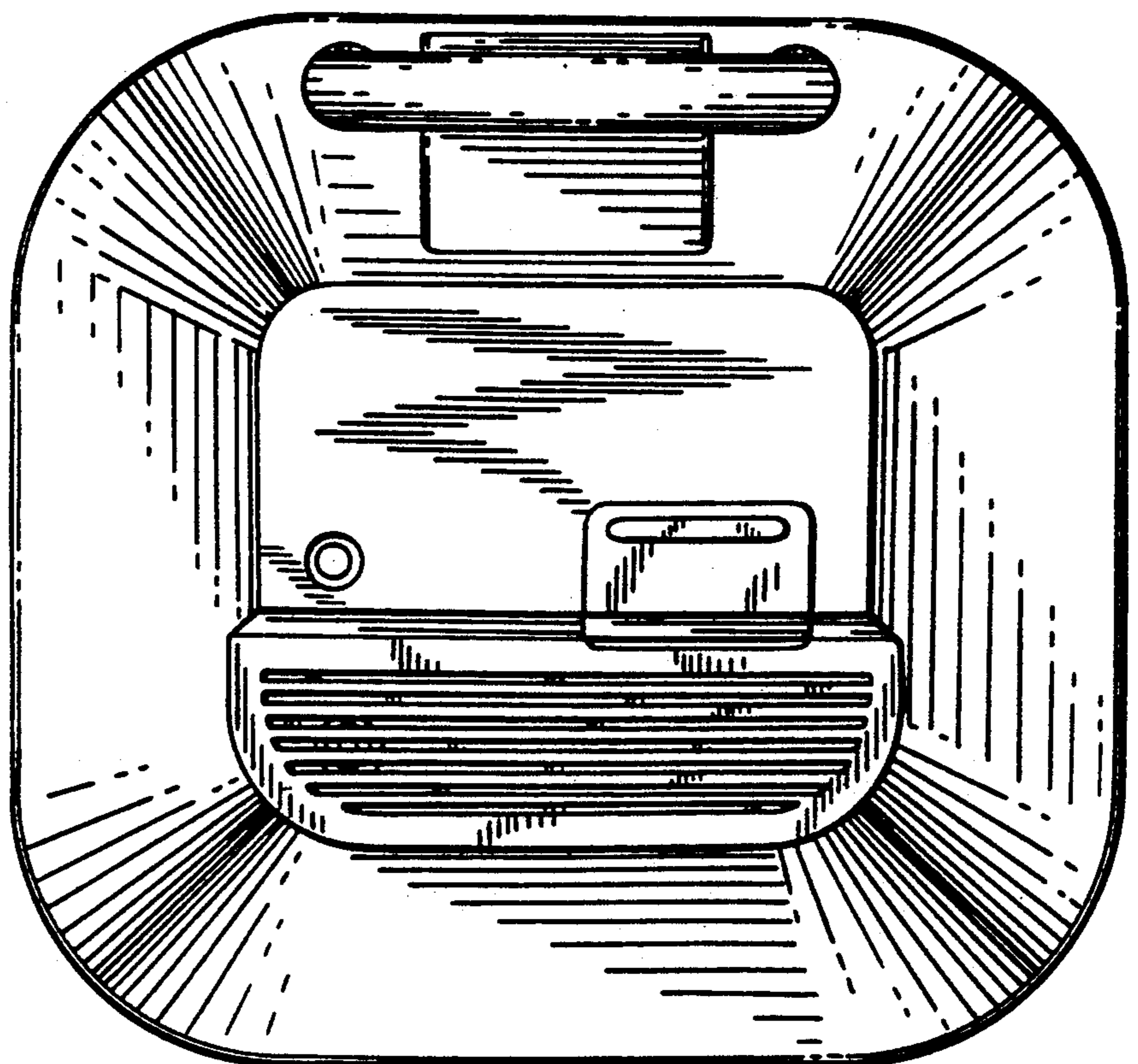


FIG. 3

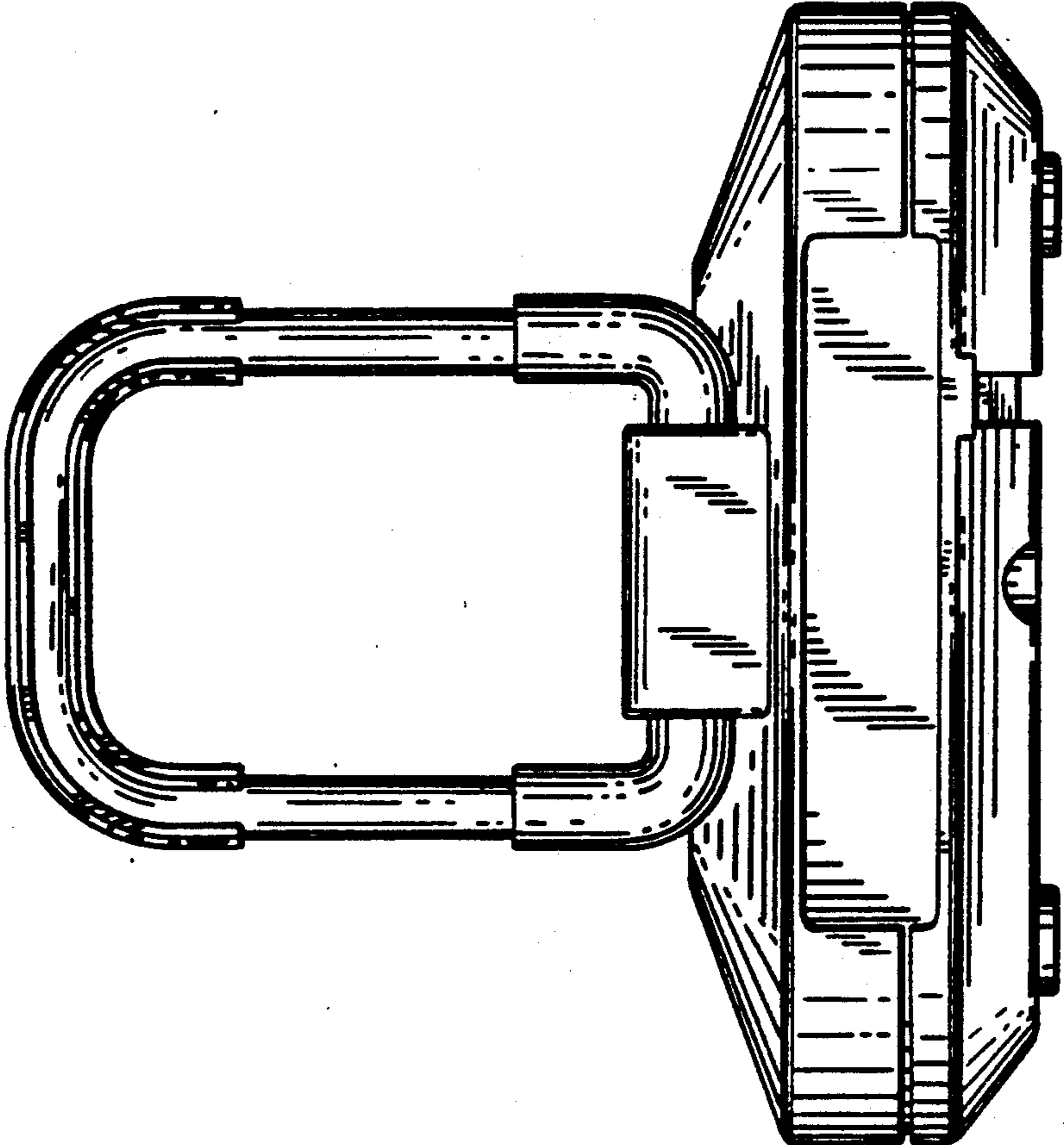


FIG. 4

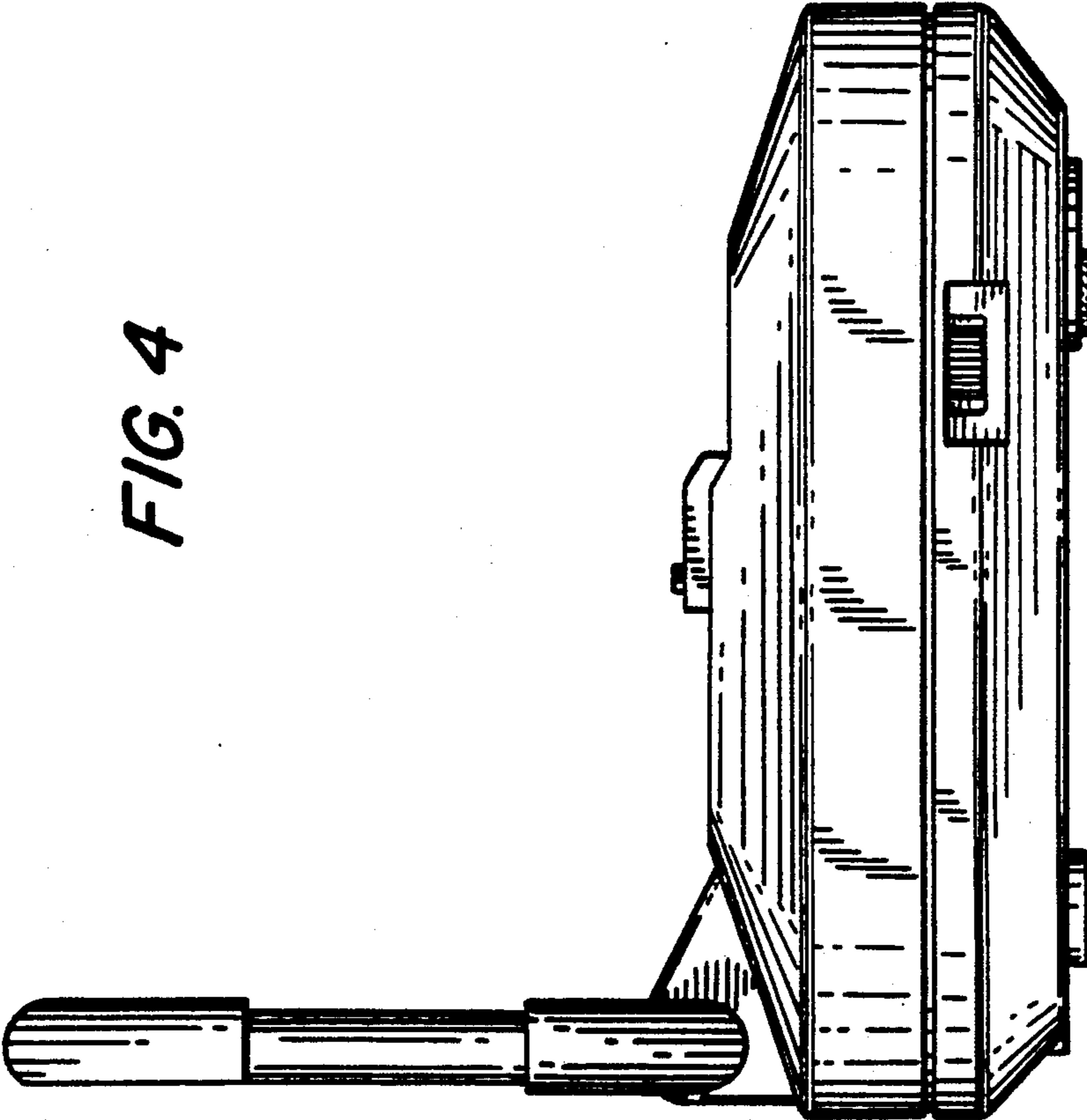


FIG. 5

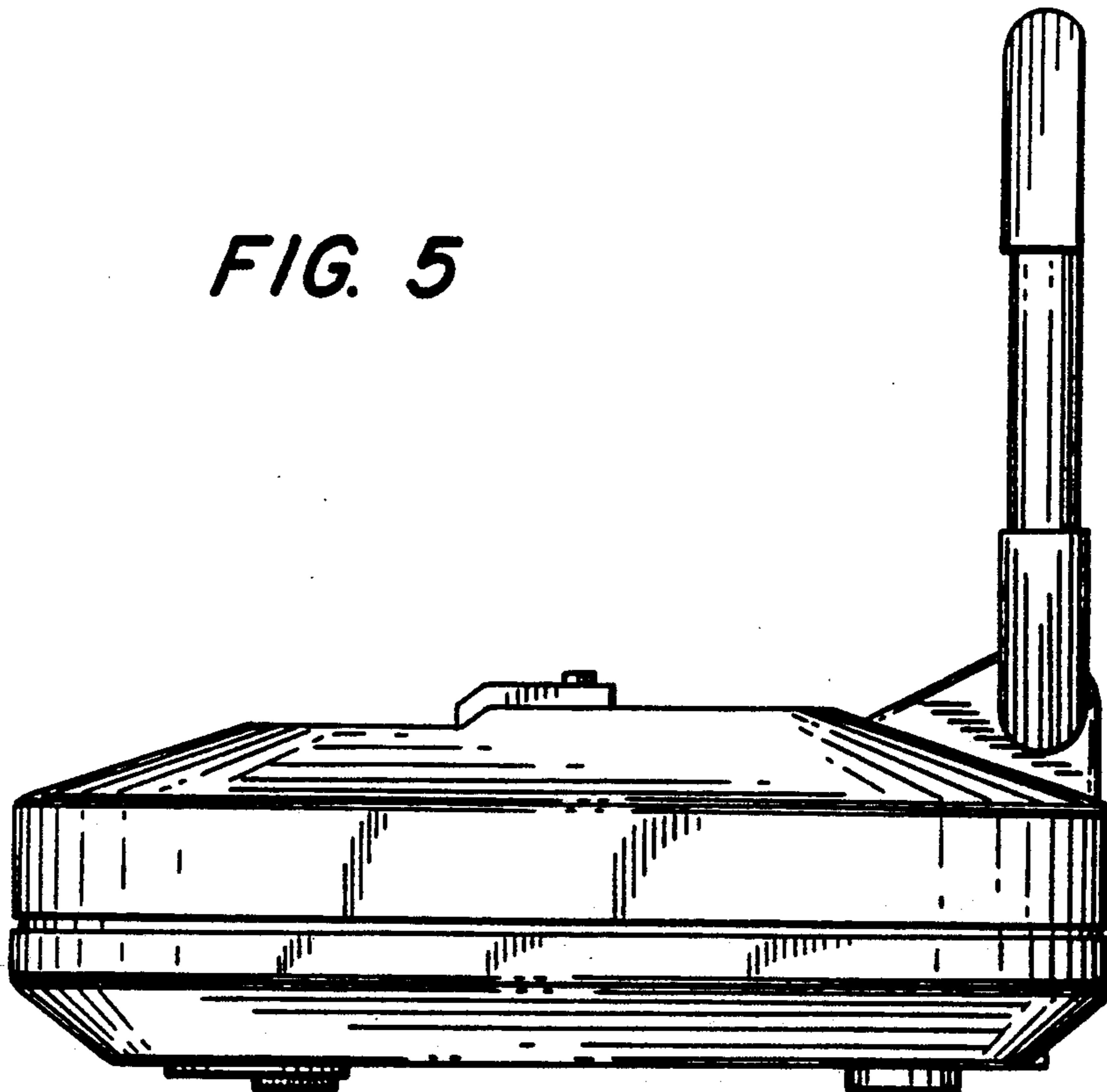


FIG. 7

