



US00D325725S

United States Patent [19]

[11] Patent Number: **Des. 325,725**

Yamagata et al.

[45] Date of Patent: **** Apr. 28, 1992**

[54] **CIRCUIT PROTECTOR**

[75] Inventors: **Shinji Yamagata; Shinsaku Yamasaki; Tetsuya Hamada**, all of Fukuyama, Japan

[73] Assignee: **Mitsubishi Denki Kabushiki Kaisha**, Tokyo, Japan

[**] Term: **14 Years**

[21] Appl. No.: **467,212**

[22] Filed: **Jan. 19, 1990**

[52] U.S. Cl. **D13/160**

[58] Field of Search **D13/160; 335/9, 43, 335/159, 160, 202; 361/42, 45, 46; 200/144 R, 144 AP, 144 B**

[56] **References Cited**

U.S. PATENT DOCUMENTS

- D. 233,241 10/1974 Mune D13/160
- D. 316,403 4/1991 Mercer et al. D13/160
- D. 317,004 5/1991 Sharp et al. D13/160

OTHER PUBLICATIONS

Wing Shun Circuit Breakers on p. 338 of *Hong Kong Enterprise*, Aug. 1983.

Circuit Breakers on p. 3/13 of 1975 Siemens catalog. "Mitsubishi Circuit Protector", published Jul. 1986, by Mitsubishi Denki Kabushiki Kaisha, p. 8.

Primary Examiner—Susan J. Lucas
Assistant Examiner—J. Sincavage
Attorney, Agent, or Firm—Burns, Doane, Swecker & Mathis

[57] **CLAIM**

The ornamental design for a circuit protector, as shown and described.

DESCRIPTION

FIG. 1 is a front and upper right perspective view of a circuit protector showing our new design with the actuator in the ON position;
 FIG. 2 is a front elevational view thereof;
 FIG. 3 is a top plan view thereof;
 FIG. 4 is a rear elevational view thereof;
 FIG. 5 is a bottom plan view thereof;
 FIG. 6 is a right side elevational view thereof;
 FIG. 7 is a left side elevational view thereof;
 FIG. 8 is a cross-sectional view thereof taken along line 8—8 of FIG. 2; and,
 FIG. 9 is a cross-sectional view thereof taken along line 8—8 of FIG. 2 showing the actuator in the OFF position.

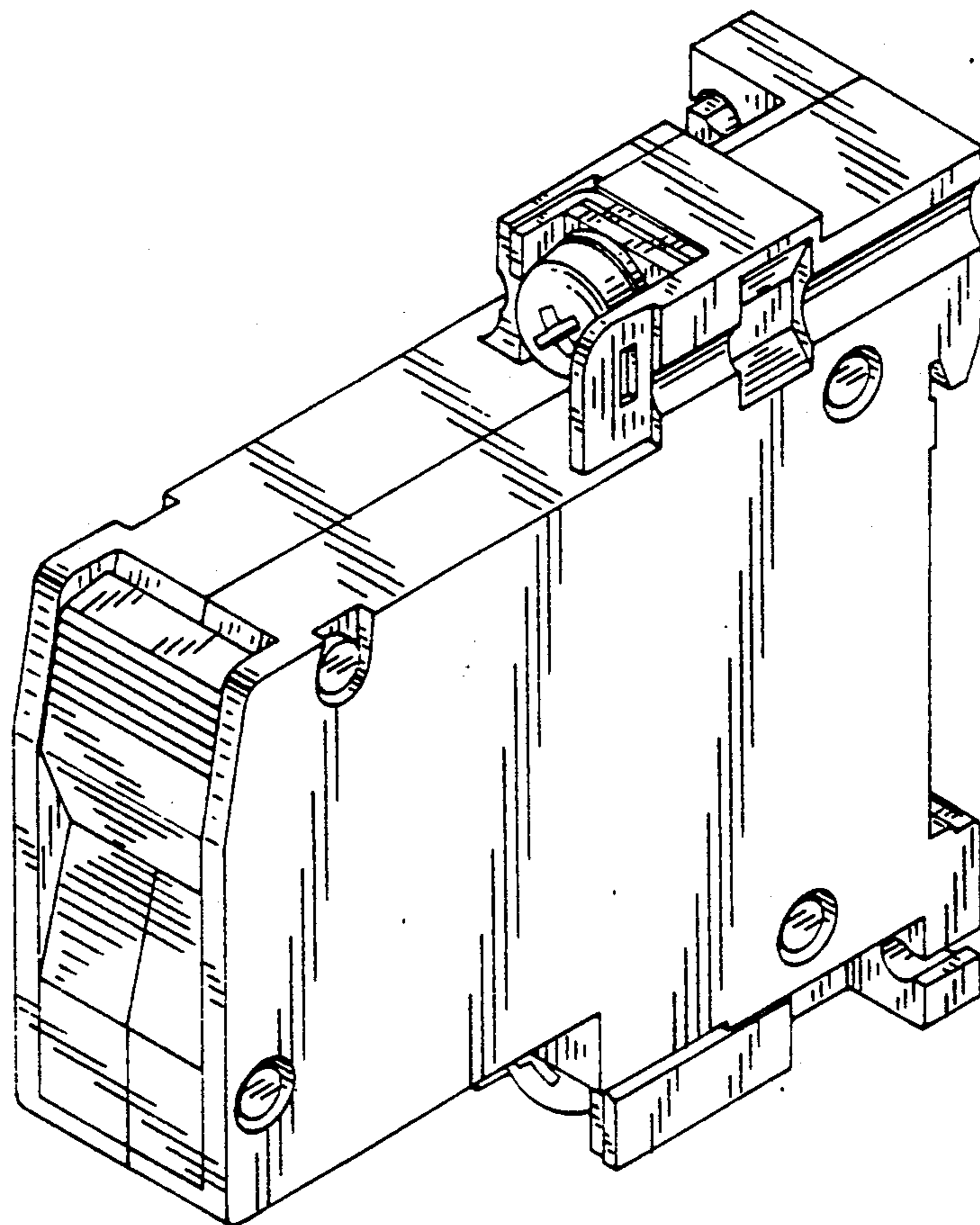


FIG. 1

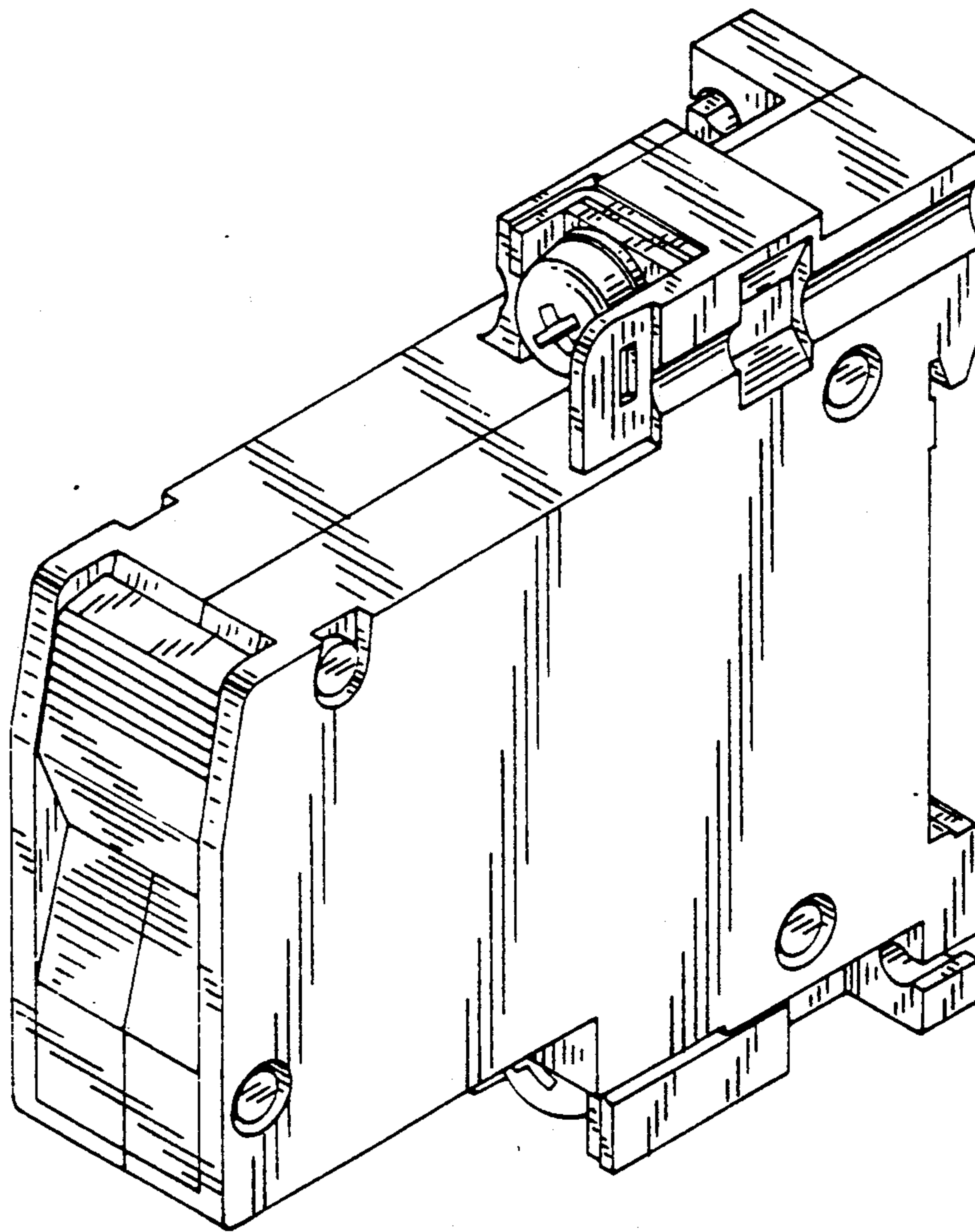


FIG. 2

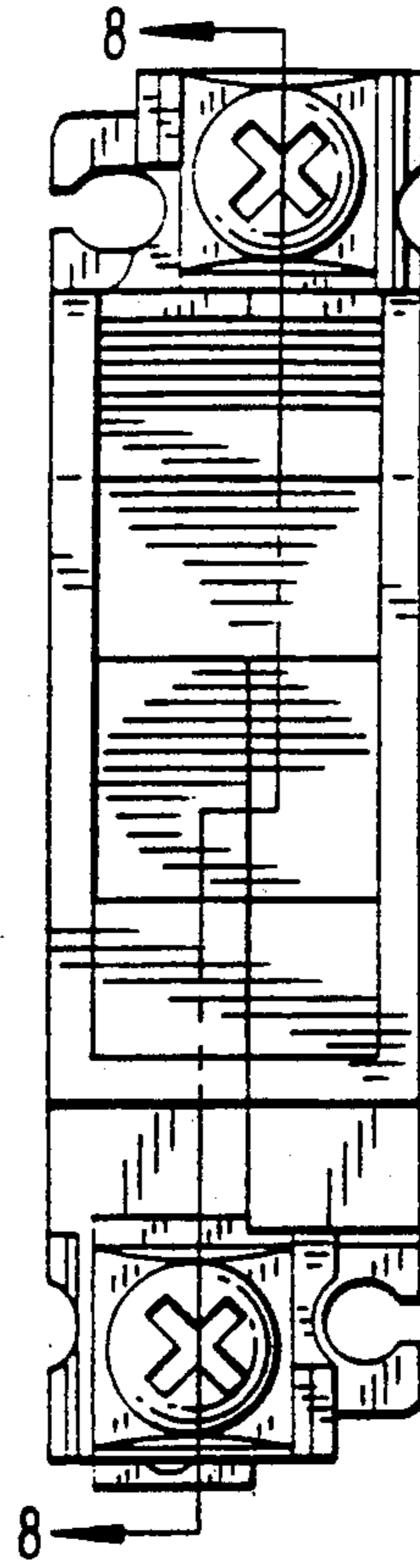


FIG. 3

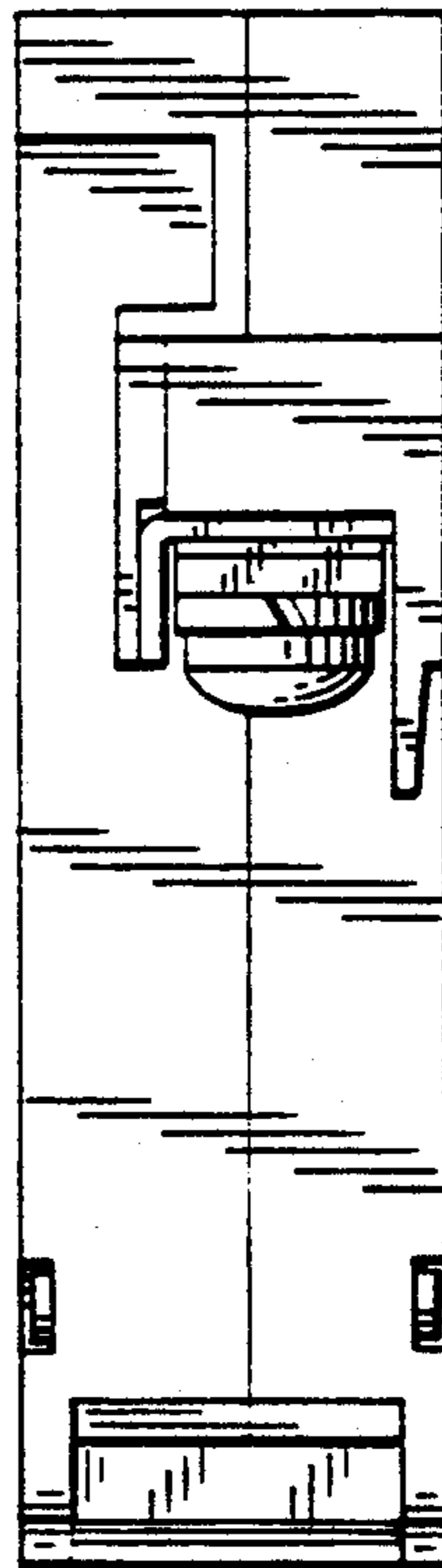


FIG. 4

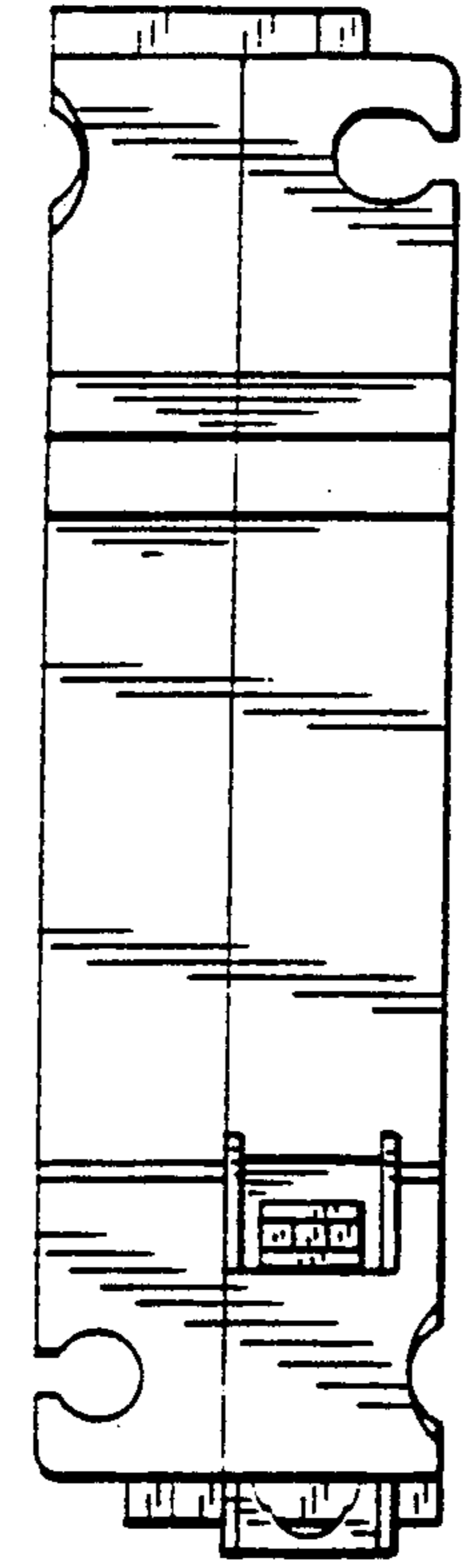


FIG. 5

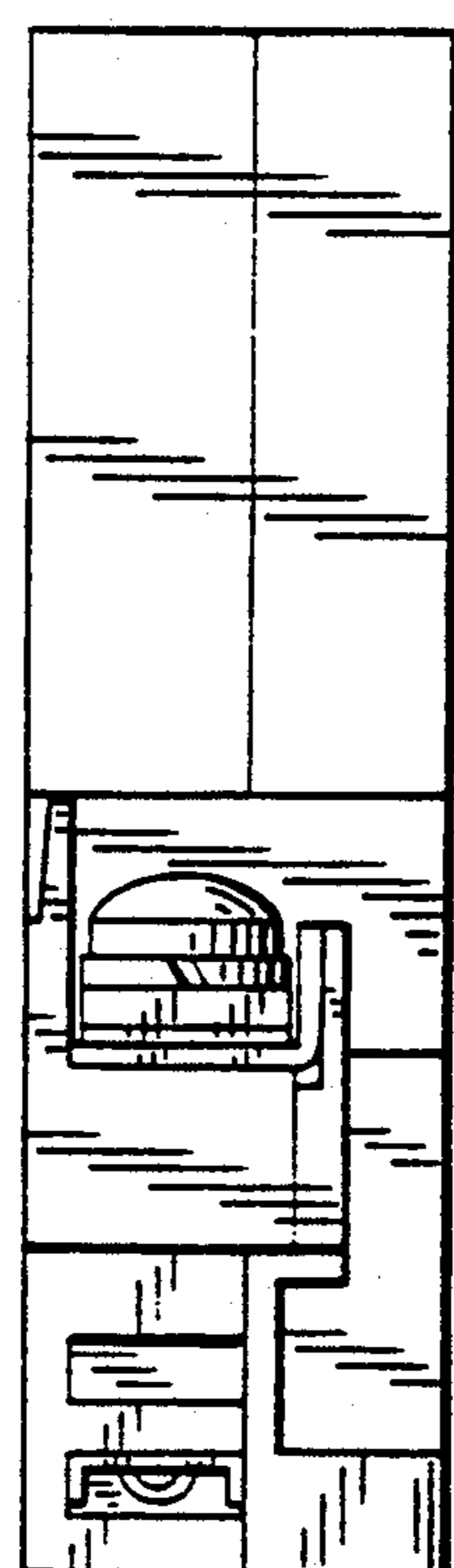


FIG. 6

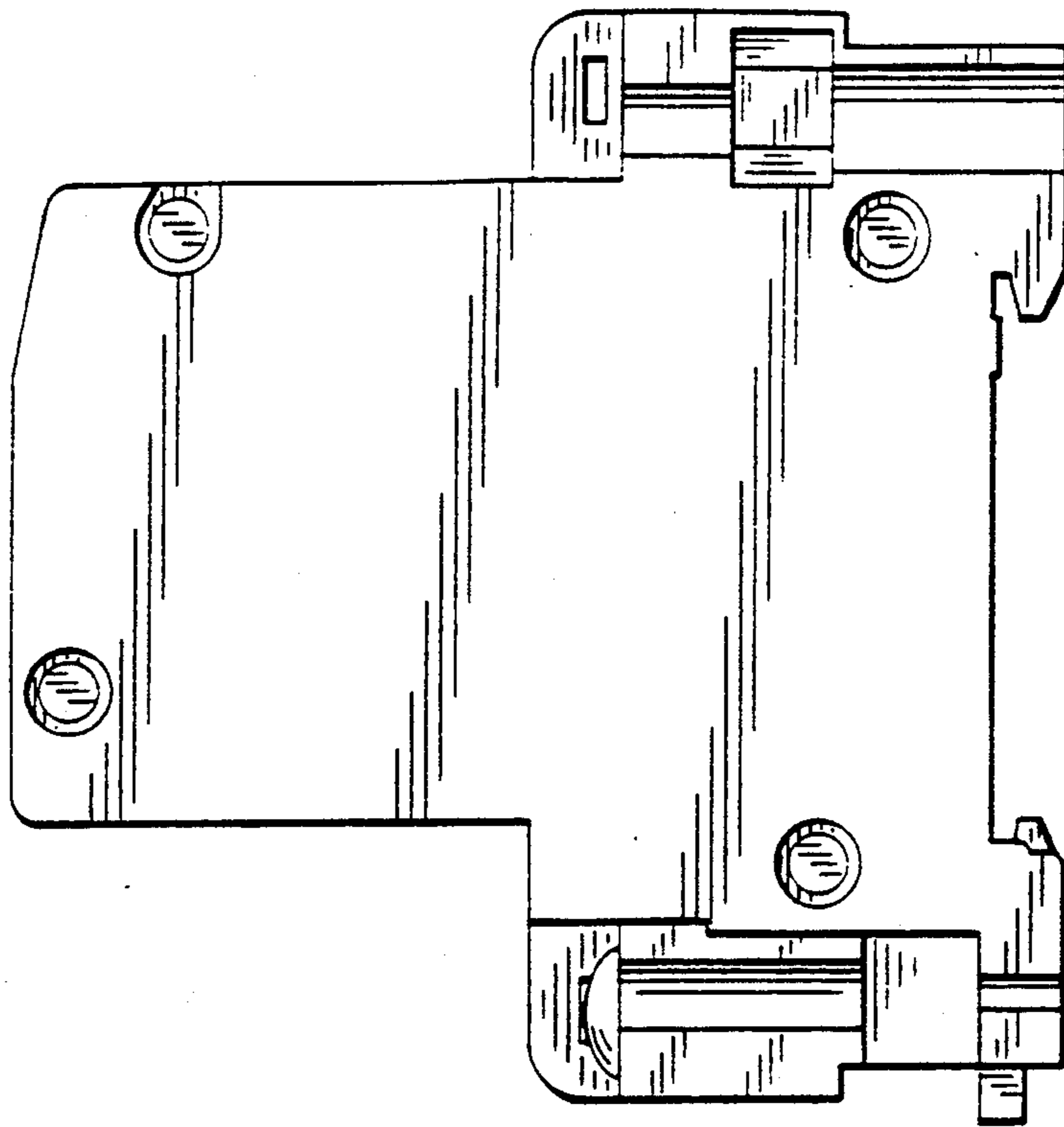


FIG. 7

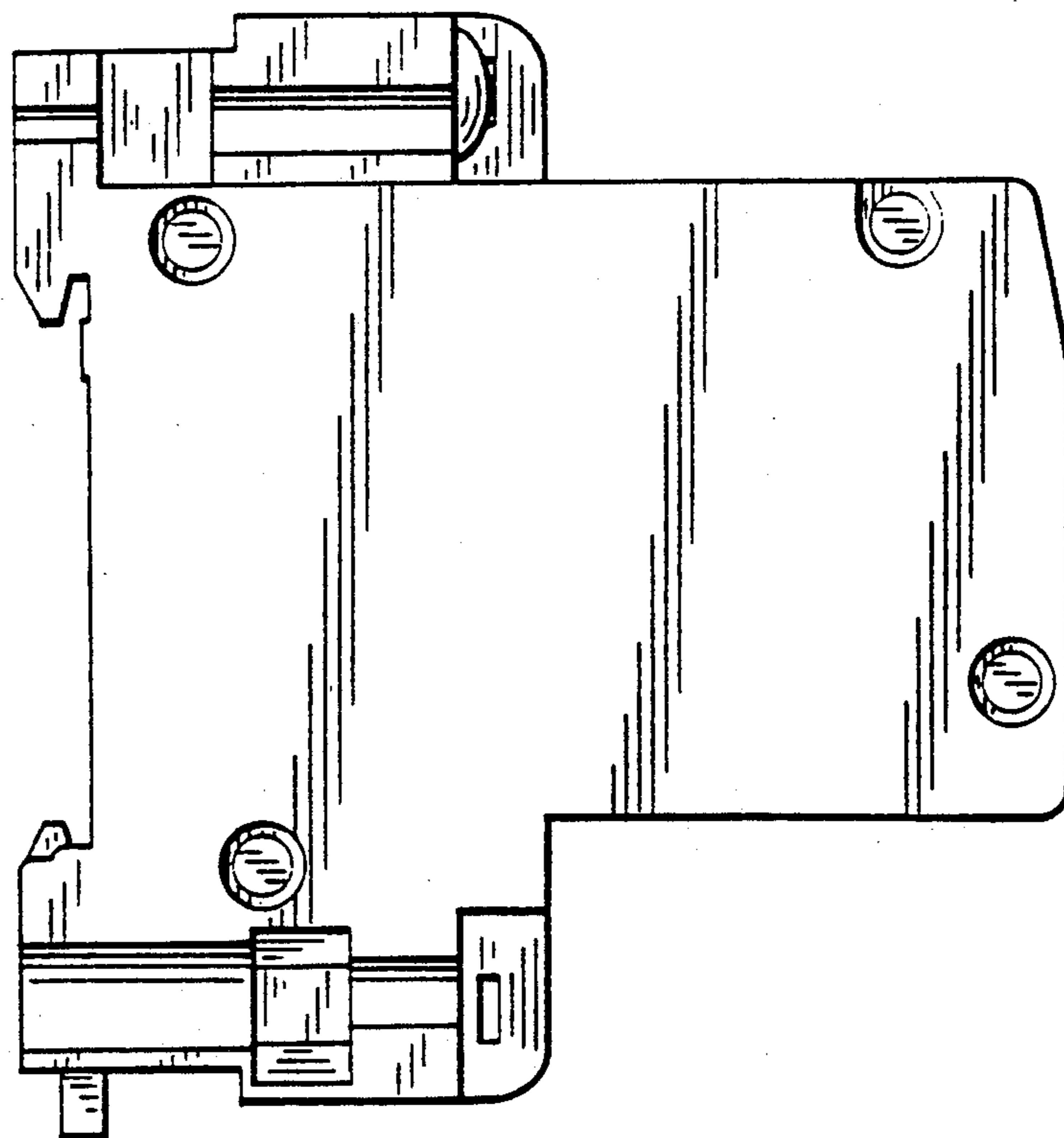


FIG. 8

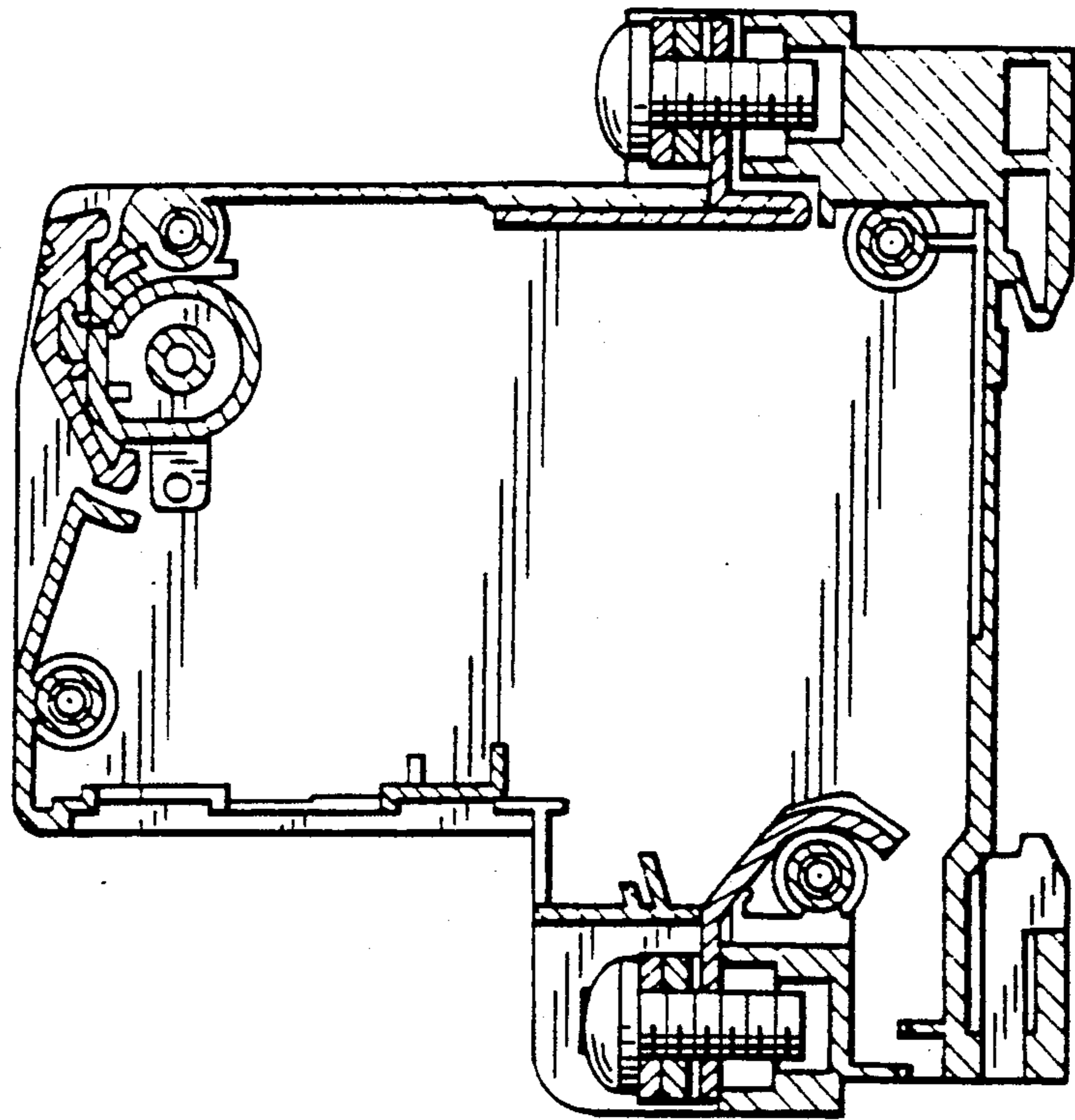


FIG. 9

