



US00D325724S

United States Patent [19]

[11] Patent Number: **Des. 325,724**

Satzger et al.

[45] Date of Patent: **** Apr. 28, 1992**

[54] **CABLE CONNECTOR FOR COMPUTER PERIPHERALS**

[75] Inventors: **Douglas B. Satzger**, Menlo Park; **Michael J. Nuttall**, Palo Alto, both of Calif.; **William C. Smith**, Providence, R.I.

[73] Assignee: **Farallon Computing, Inc.**, Emeryville, Calif.

[**] Term: **14 Years**

[21] Appl. No.: **562,369**

[22] Filed: **Aug. 3, 1990**

[52] U.S. Cl. **D13/146**

[58] Field of Search **D13/147; D14/240, 256; 439/245, 344, 368, 581, 610, 653, 660, 676, 677, 680; 379/93; 174/50, 53, 65 R**

[56] **References Cited**

U.S. PATENT DOCUMENTS

D. 306,011	2/1990	Komatsu	D13/147
D. 311,724	10/1990	Huang	D13/146
4,741,708	5/1988	Yoshida	439/610 X
4,990,103	2/1991	Sazaki et al.	D13/146 X

OTHER PUBLICATIONS

Global Eliminators on p. 55 of *Global Computer Supplies Catalog*, Jan. 1988.

Inmac Cables and Adapters on p. 59 of *Inmac Catalog*, Jan. 1988.

Apple Talk Cable Connectors on p. 111 of *Misco Winter '1988 catalog*.

Primary Examiner—Susan J. Lucas
Assistant Examiner—Joel Sincavage
Attorney, Agent, or Firm—Skjerven, Morrill, MacPherson, Franklin & Friel

[57] **CLAIM**

The ornamental design for cable connector for computer peripherals, as shown and described.

DESCRIPTION

FIG. 1 is a front and upper left perspective view cable connector for computer peripherals showing our new design;

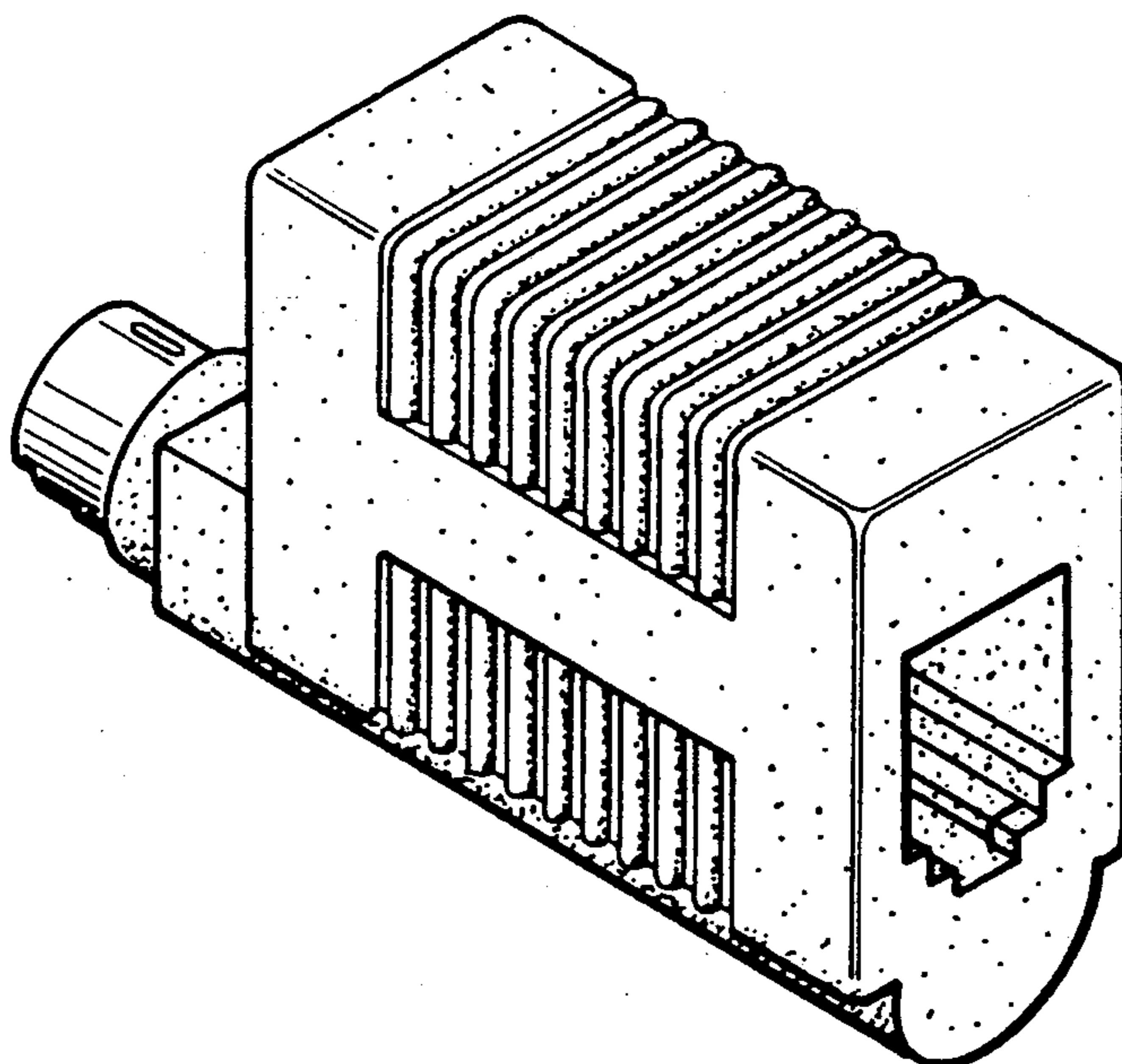
FIG. 2 is a front elevational view thereof;

FIG. 3 is a right side elevational view thereof, the left side elevational view thereof being a mirror image;

FIG. 4 is a rear elevational view thereof;

FIG. 5 is a top plan view thereof; and,

FIG. 6 is a bottom plan view thereof.



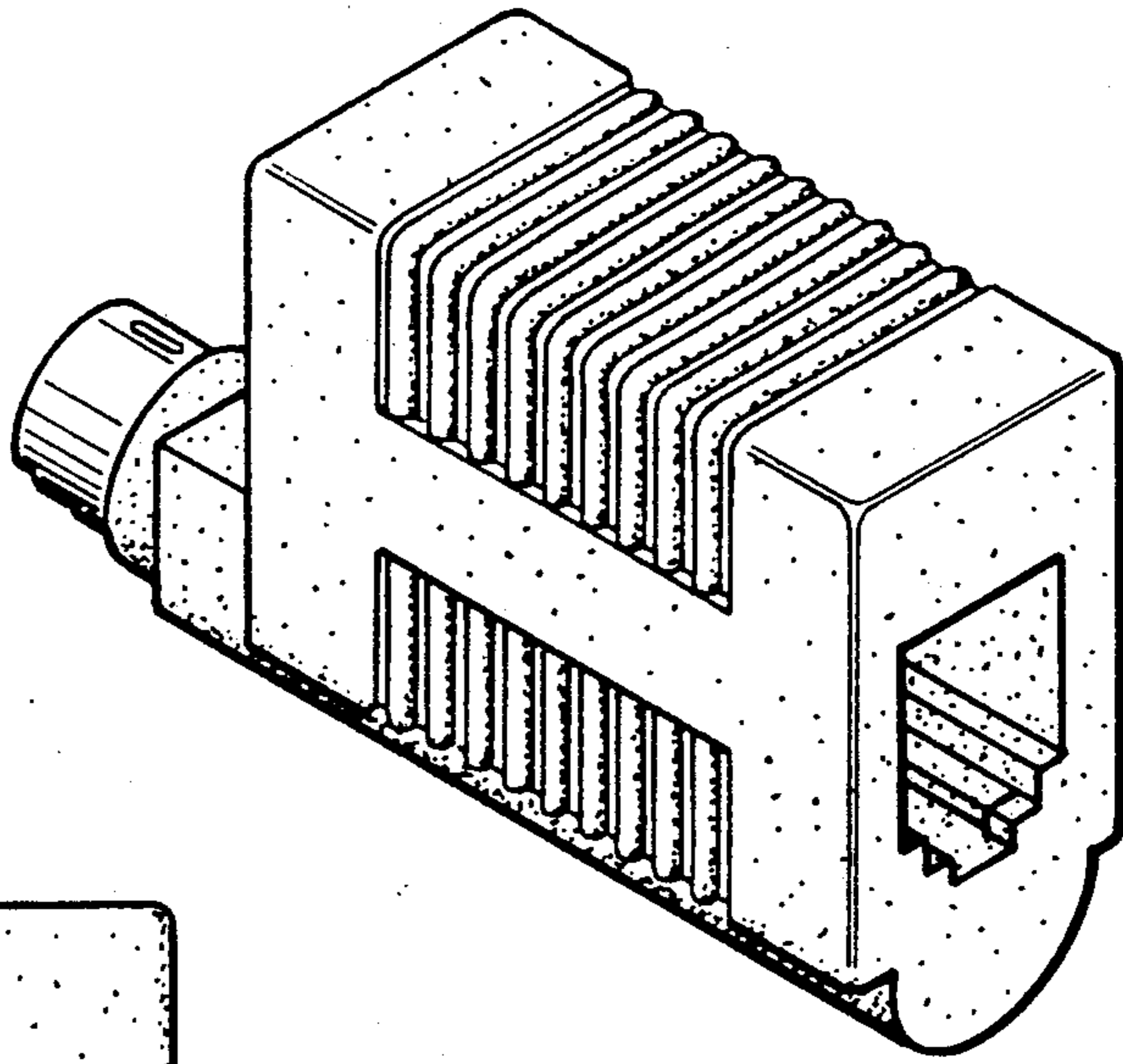


FIG. 1

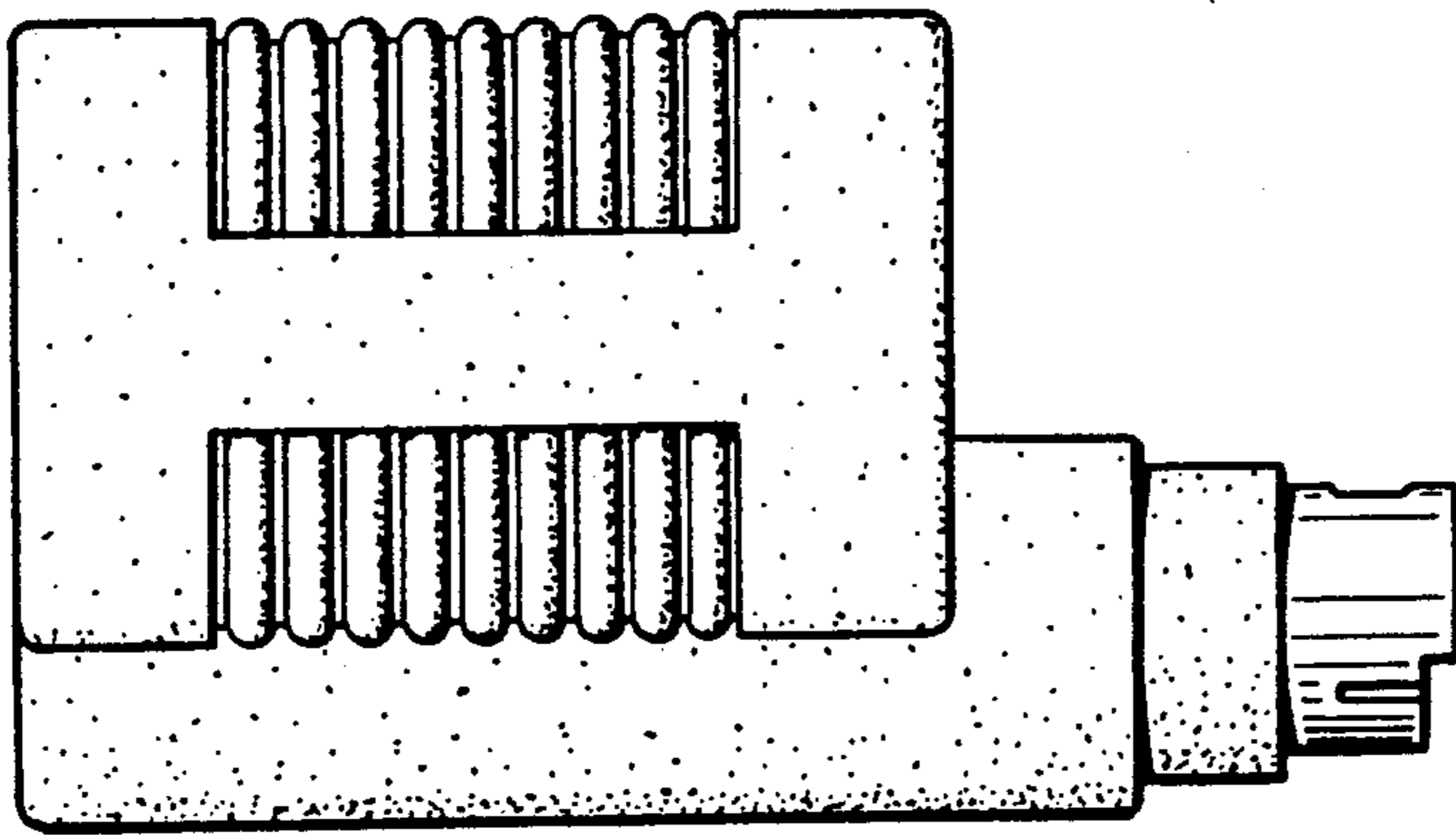


FIG. 3

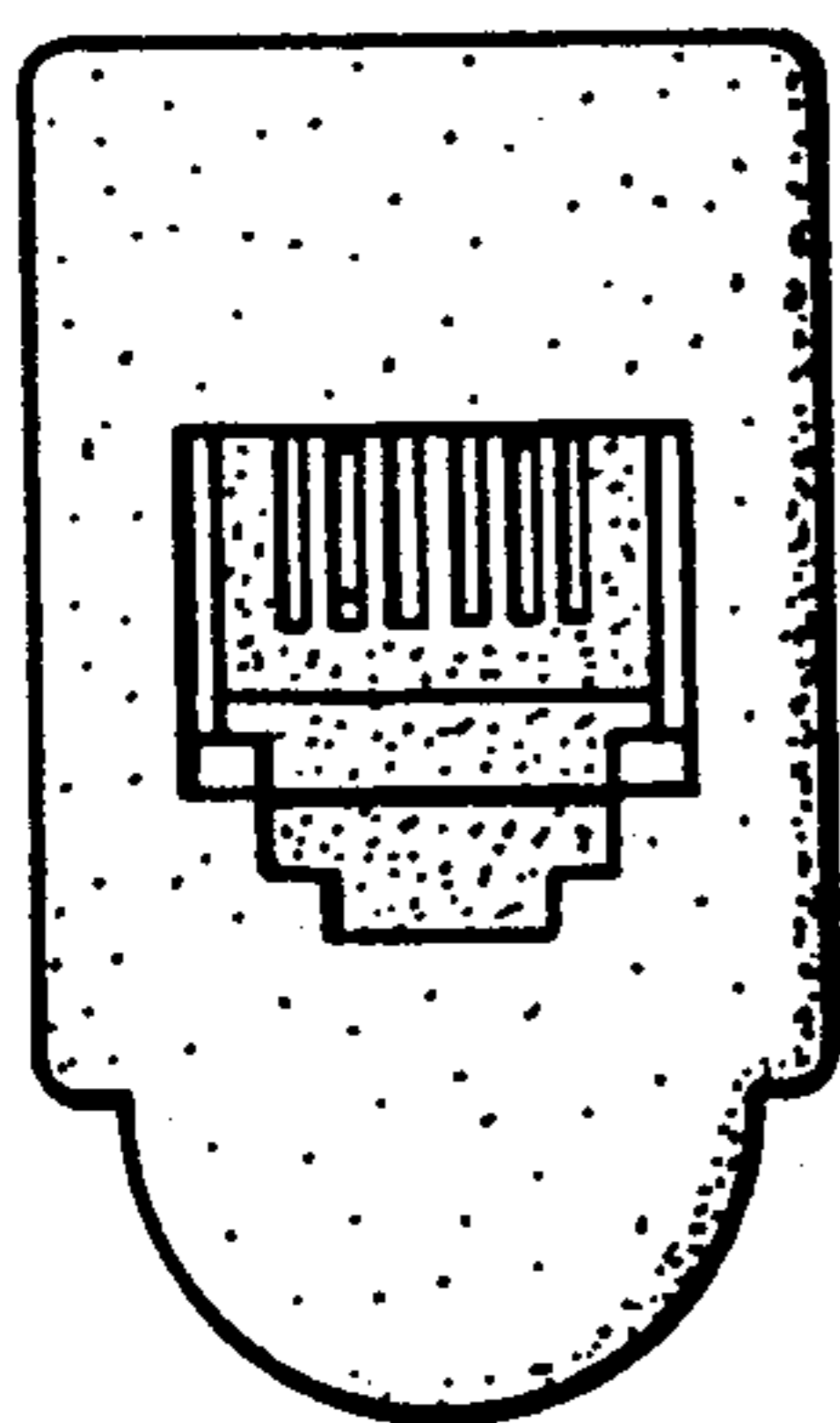


FIG. 2

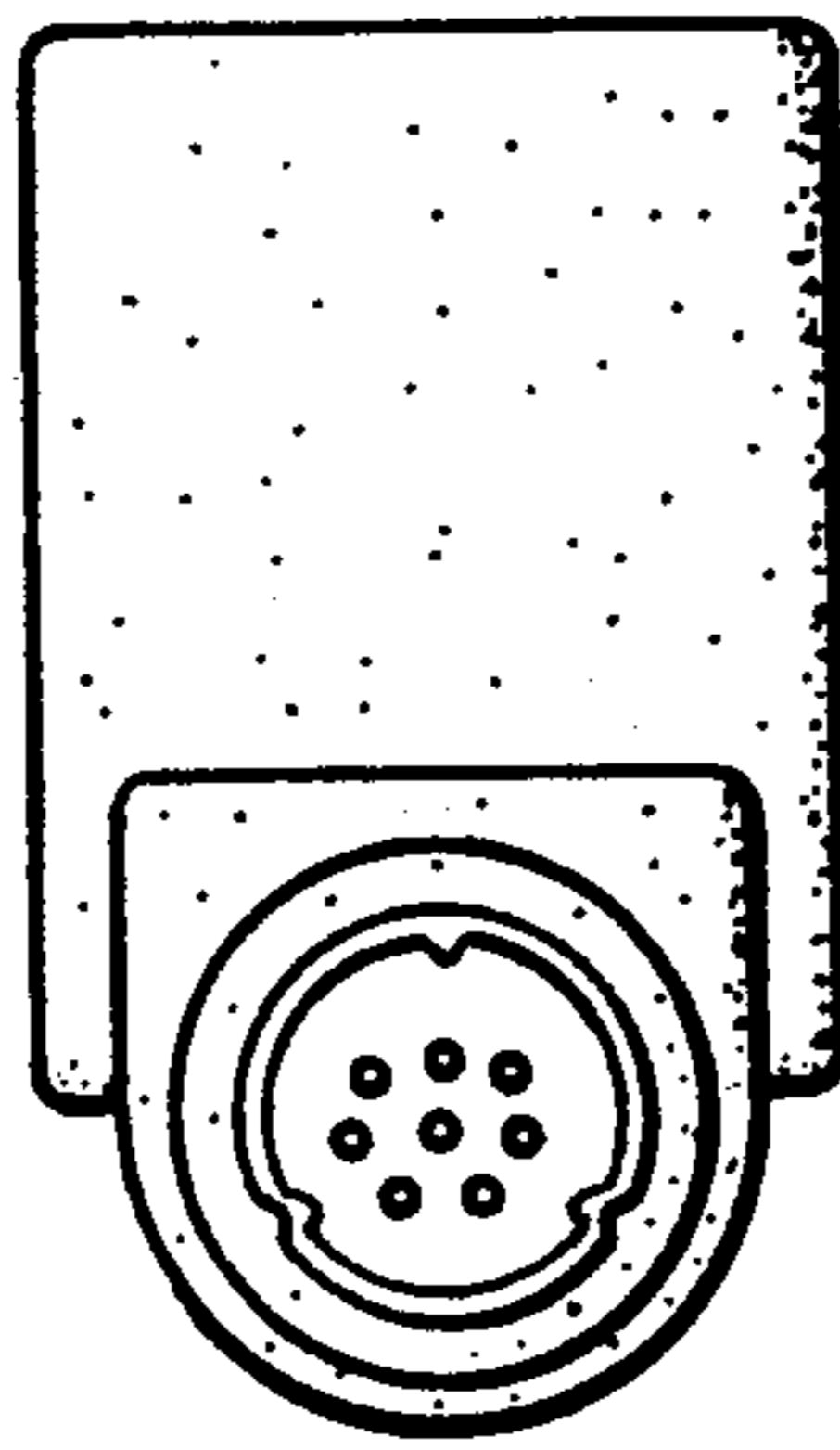


FIG. 4

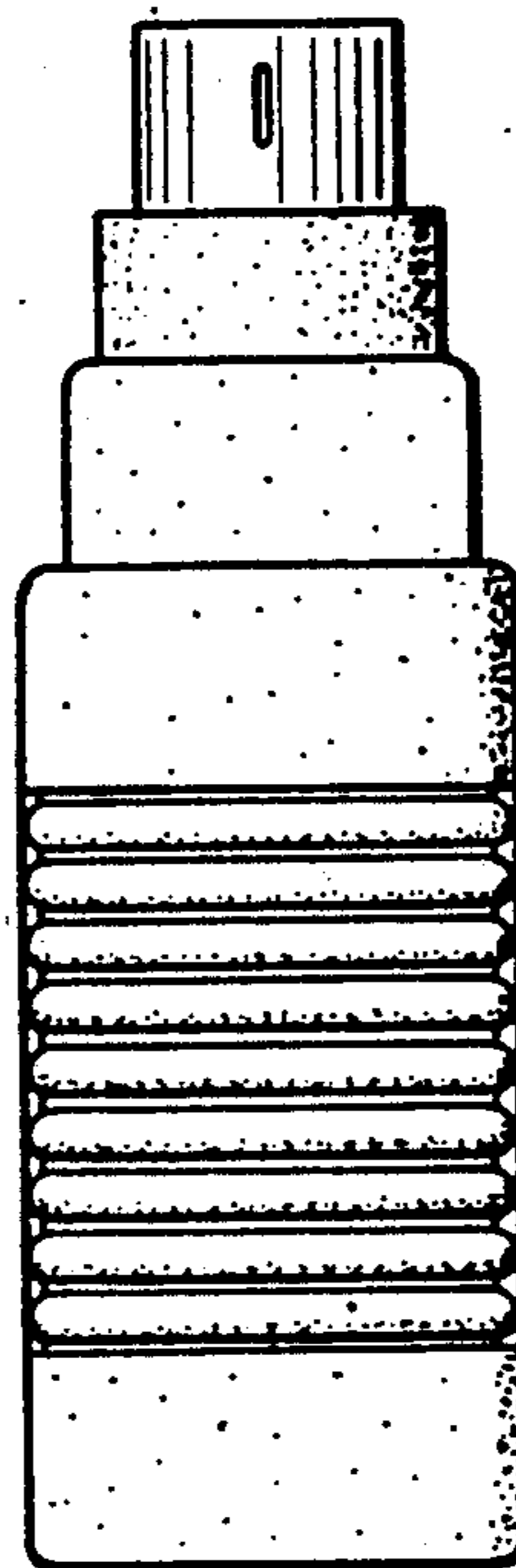


FIG. 5

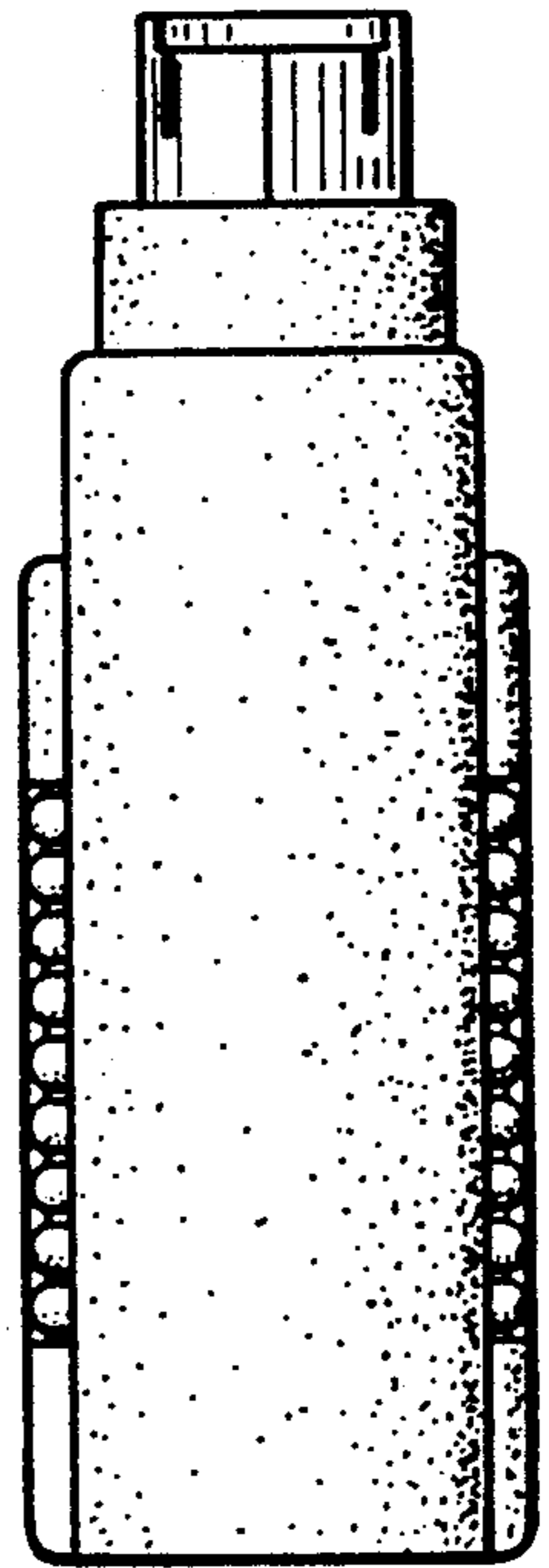


FIG. 6