



US00D325722S

United States Patent [19]

Nagasaka et al.

[11] Patent Number: **Des. 325,722**

[45] Date of Patent: **** Apr. 28, 1992**

[54] ELECTRICAL CONNECTOR HOUSING

[75] Inventors: **Yasuhiro Nagasaka, Toyota; Yasuo Hirayama; Ichiro Shibata, all of Toyota; Tadahiro Sueyoshi, Shizuoka; Masanori Tsuji, Shizuoka; Yoshihiro Murakami, Shizuoka; Takayuki Yamamoto, Shizuoka; Masaru Fukuda, Shizuoka, all of Japan**

[73] Assignee: **Yazaki Corporation, Tokyo, Japan**

[**] Term: **14 Years**

[21] Appl. No.: **374,860**

[22] Filed: **Jul. 3, 1989**

[30] Foreign Application Priority Data

Jan. 6, 1989 [JP]	Japan	64-000060
[52] U.S. Cl.		D13/133
[58] Field of Search		D13/146, 147; 439/147, 439/246, 247, 282, 292, 293, 345, 350, 352, 353, 357, 358, 577, 586, 587, 595, 598, 600, 680, 686, 695, 701, 724

[56] References Cited

U.S. PATENT DOCUMENTS

D. 252,082	6/1979	Voelkert	D13/146
D. 308,511	6/1990	Makita et al.	D13/146

D. 310,994	10/1990	Yagi et al.	D13/146
D. 311,518	10/1990	Kuzuno et al.	D13/146
4,772,229	9/1988	Nix et al.	439/752 X
4,867,699	9/1989	Oda et al.	439/350 X

OTHER PUBLICATIONS

Connectors picture on p. 348 of article entitled *Versatility in a Sealed Connector*.

Primary Examiner—Susan J. Lucas
Assistant Examiner—J. Sincavage
Attorney, Agent, or Firm—Armstrong, Nikaido, Marmelstein, Kubovcik & Murray

[57] CLAIM

The ornamental design for an electrical connector housing, as shown and described.

DESCRIPTION

FIG. 1 is a top plan view of an electrical connector housing showing our new design;
 FIG. 2 is a front elevational view thereof;
 FIG. 3 is a bottom plan view thereof;
 FIG. 4 is a rear elevational view thereof;
 FIG. 5 is a right side elevational view thereof;
 FIG. 6 is a left side elevational view thereof;
 FIG. 7 is a cross-sectional view thereof, taken along line 7-7 of FIG. 2; and
 FIG. 8 is a fragmentary perspective view thereof taken from the rear and upper left and shown on an enlarged scale.

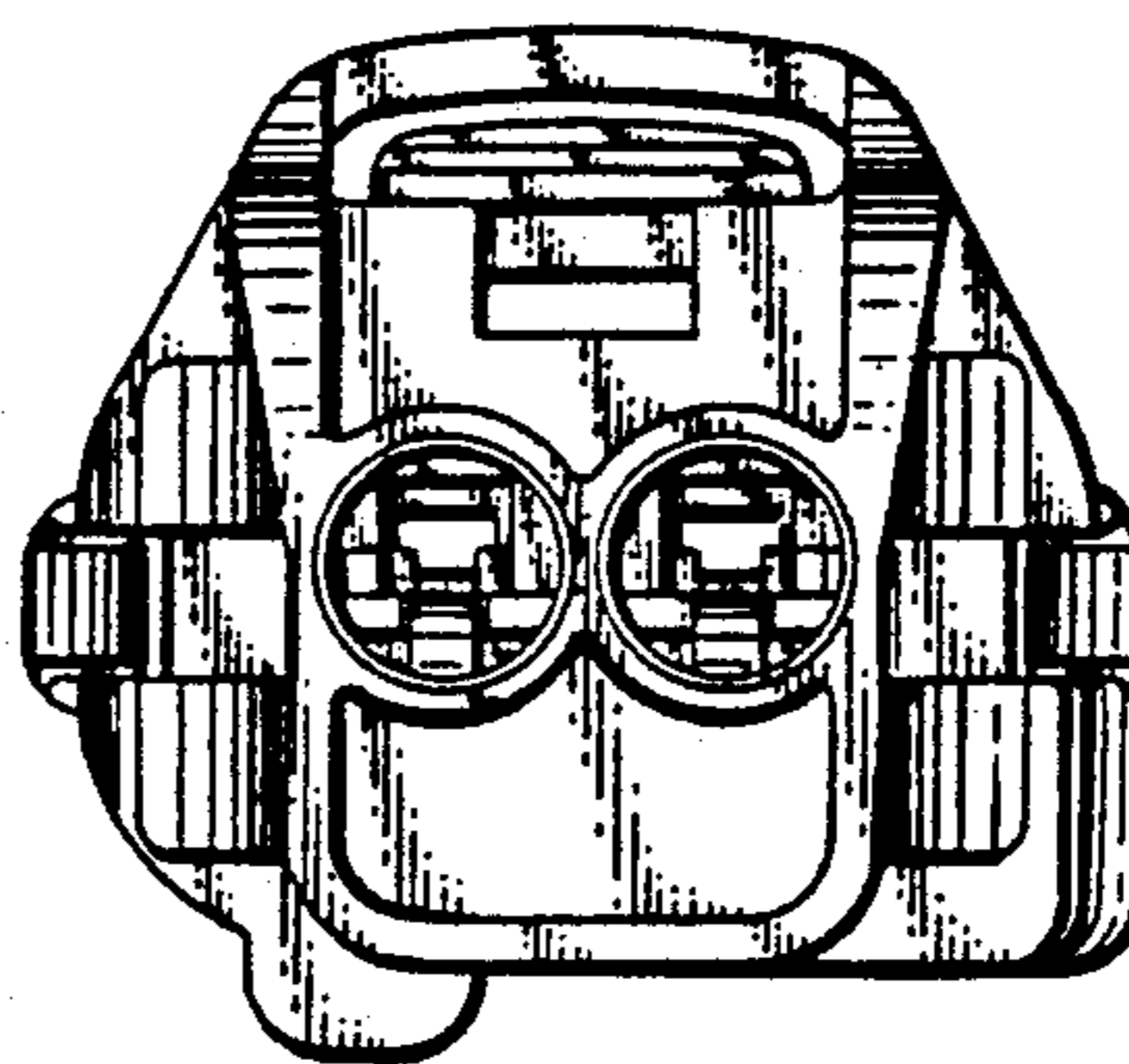
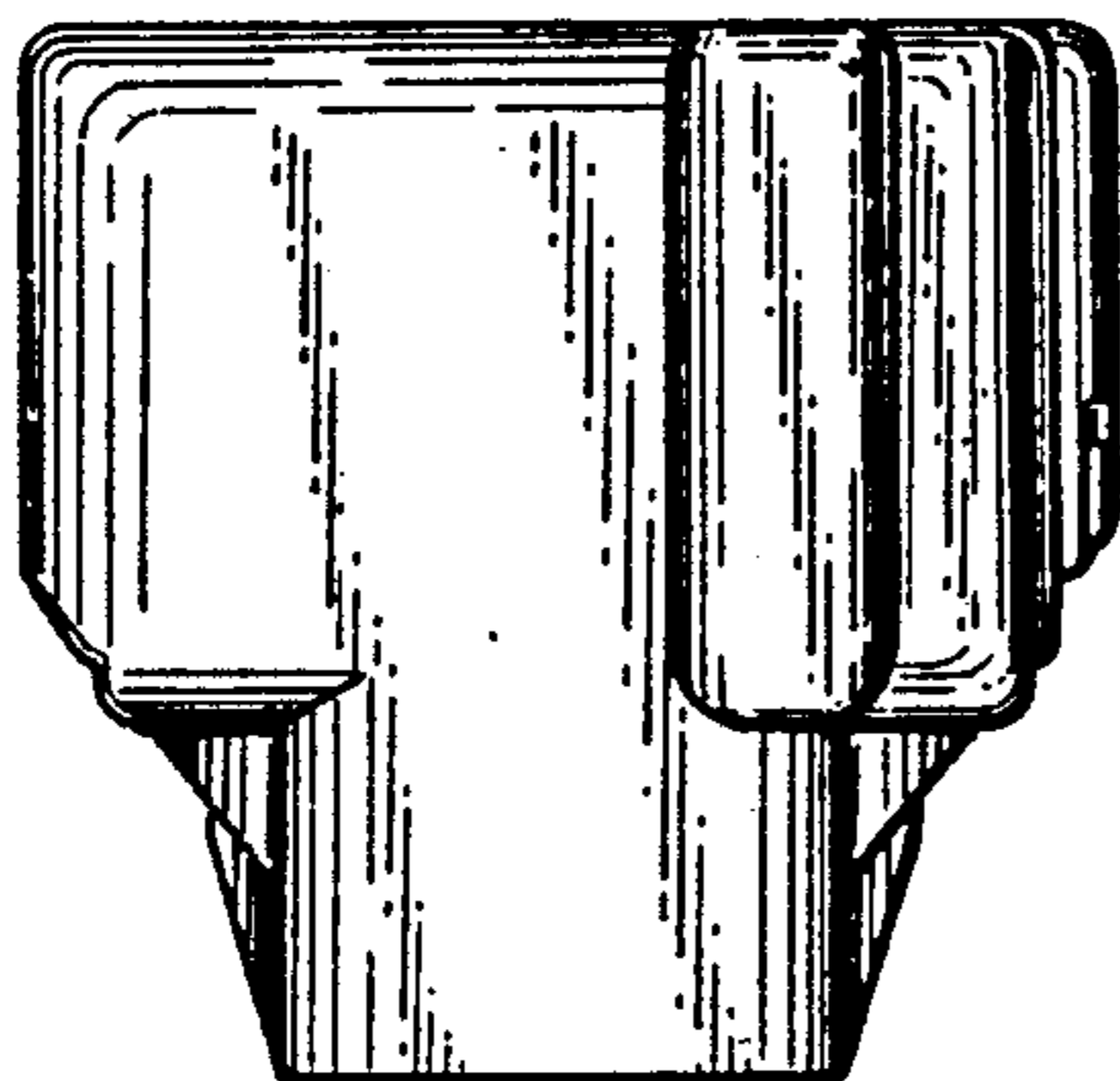
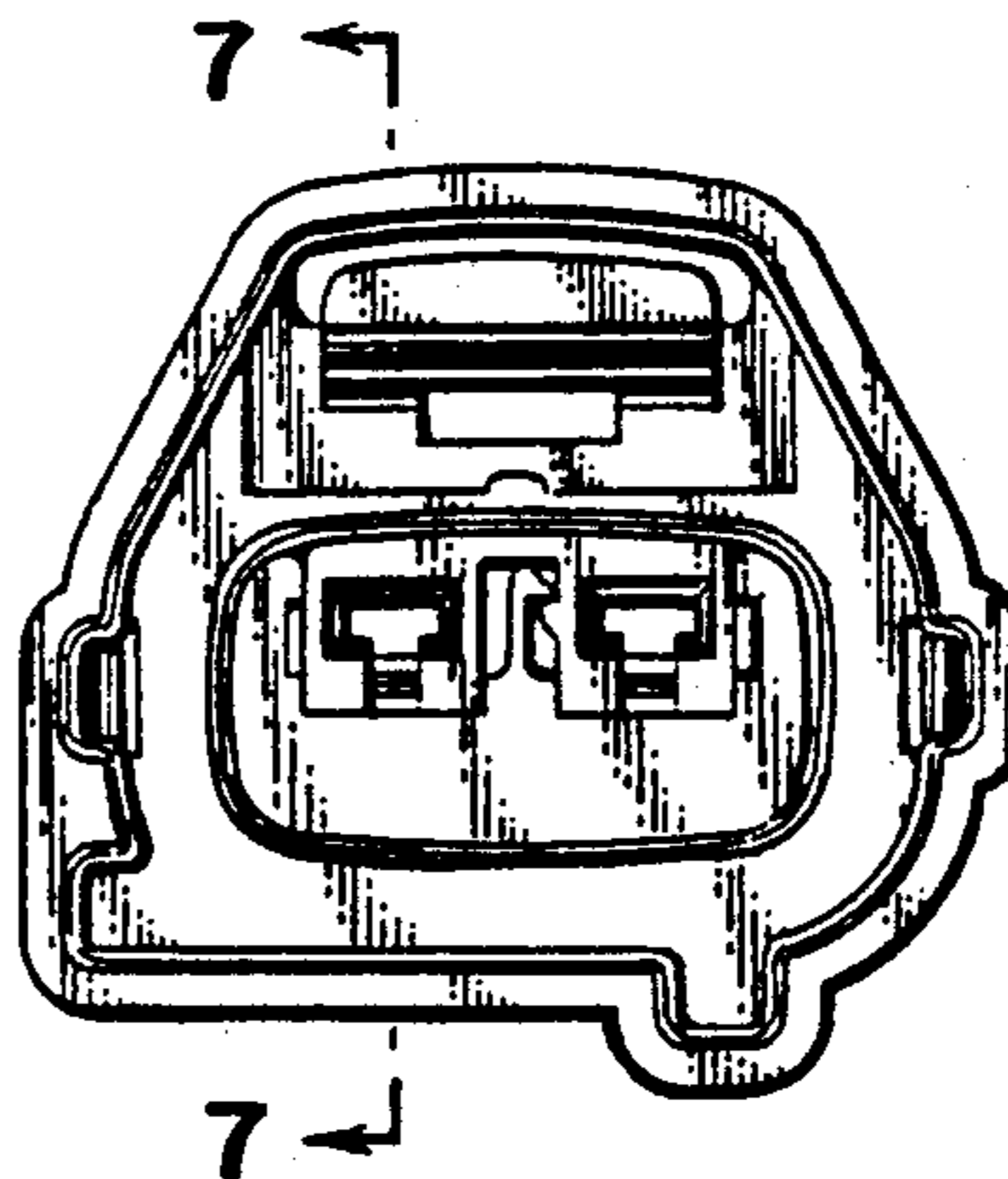
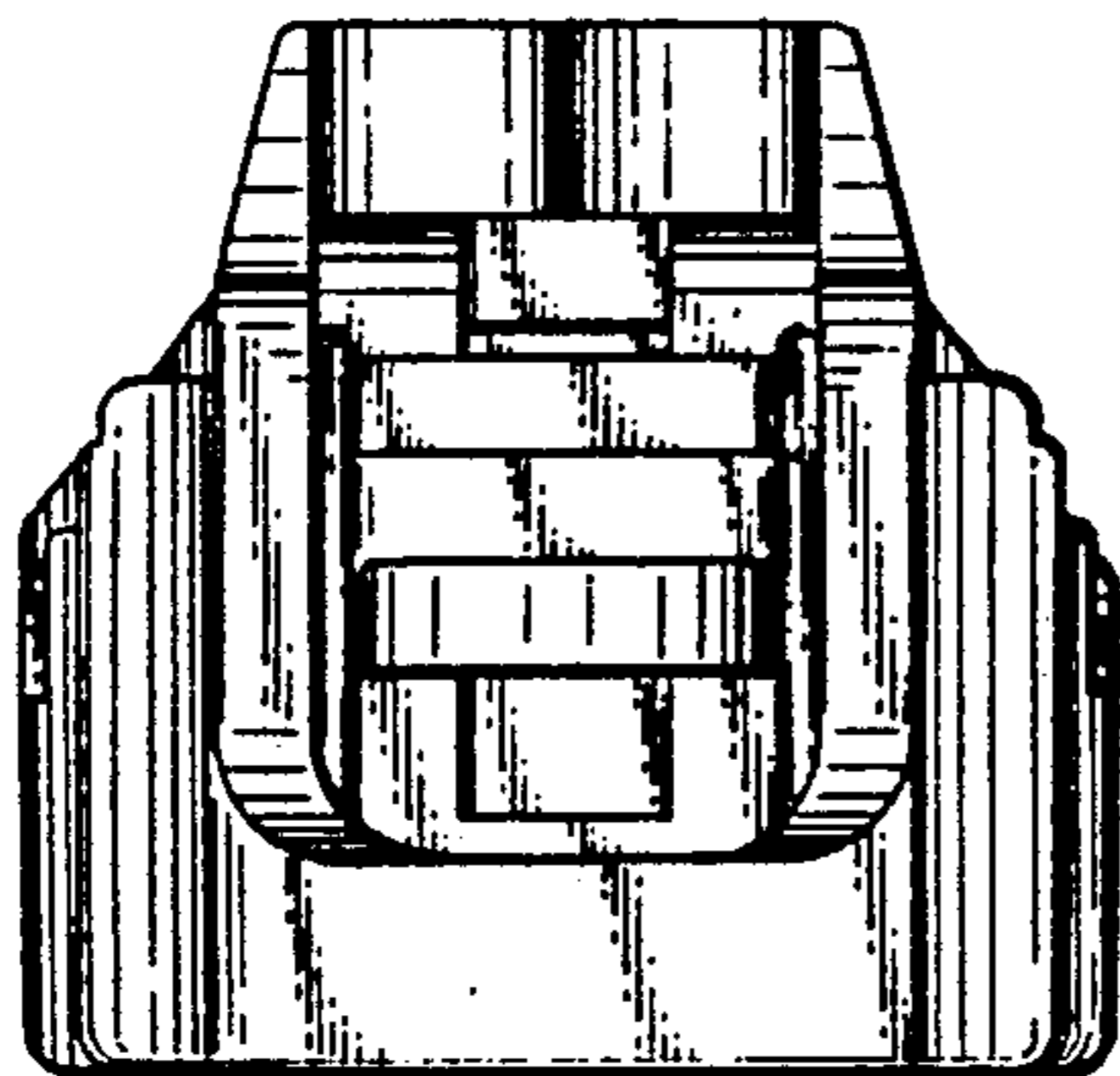


FIG. 1

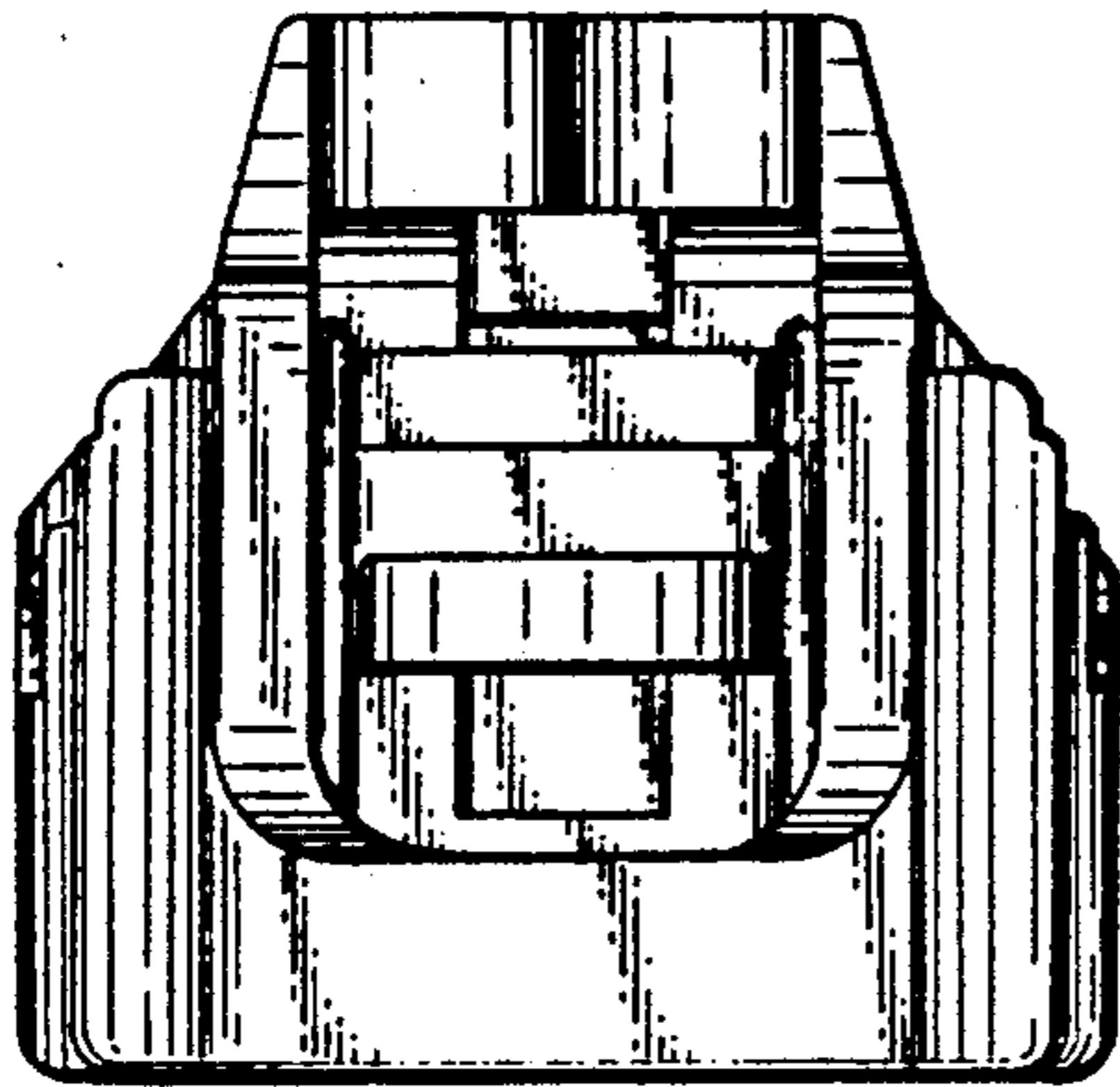


FIG. 3

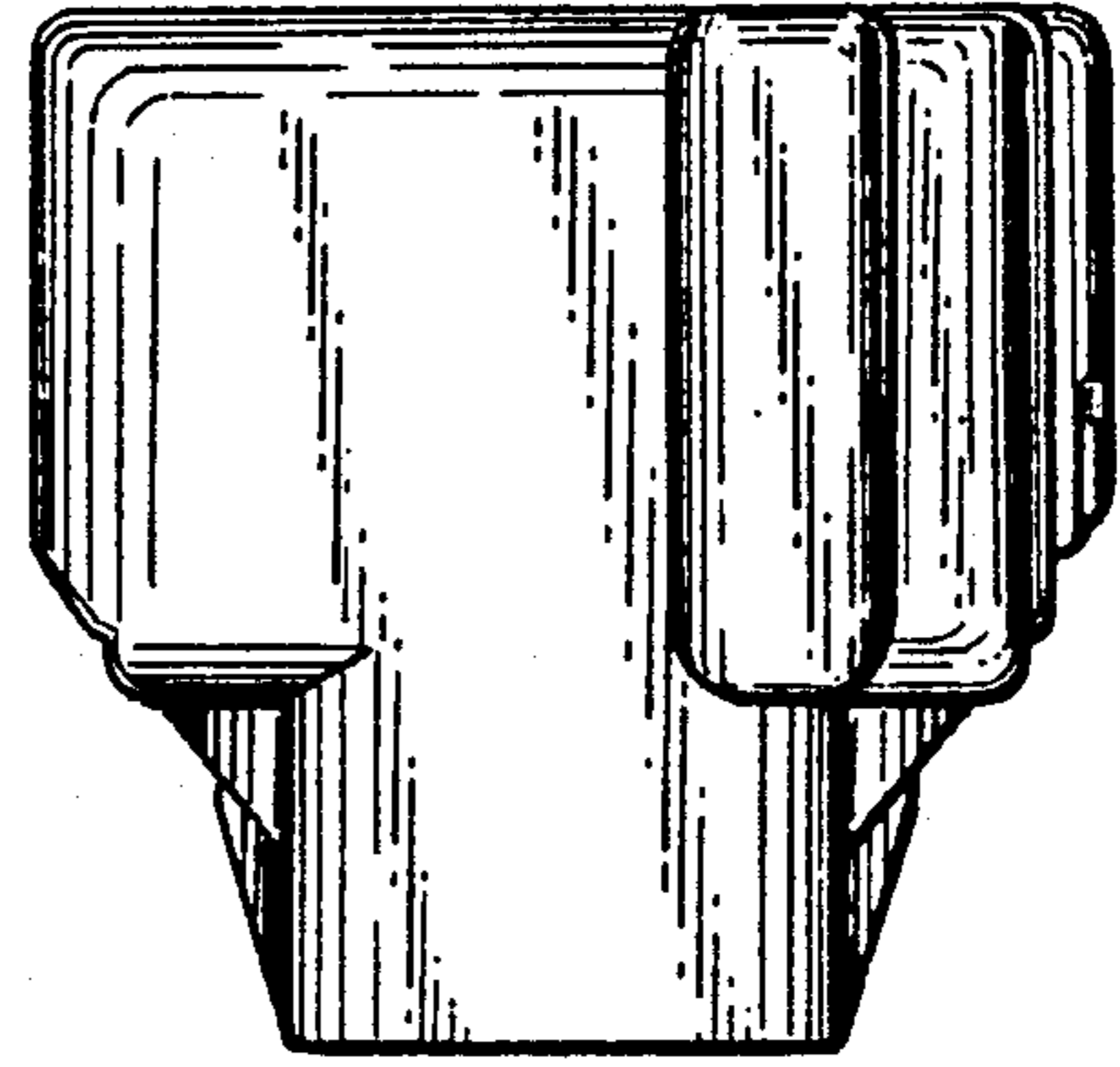


FIG. 2

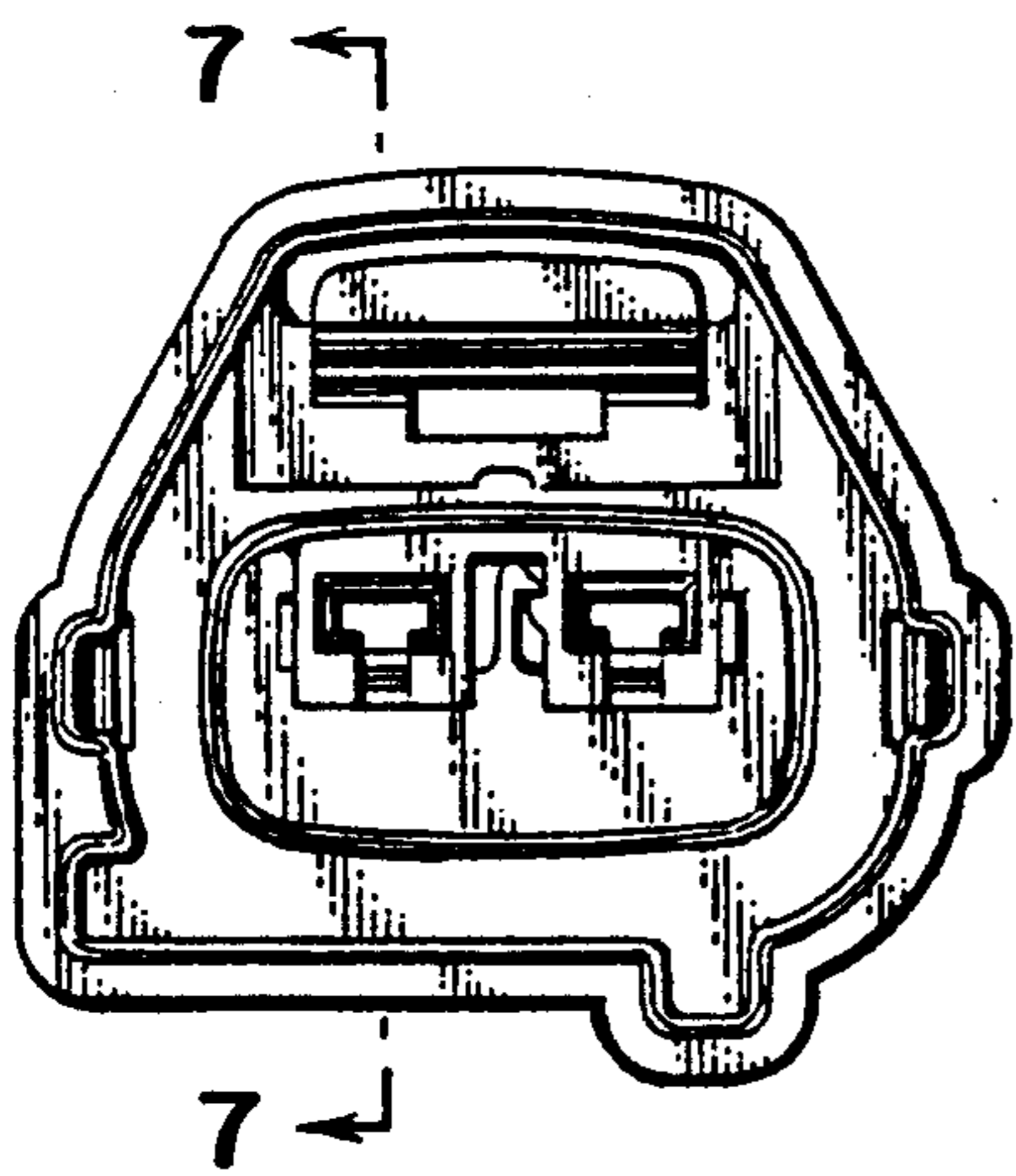


FIG. 4

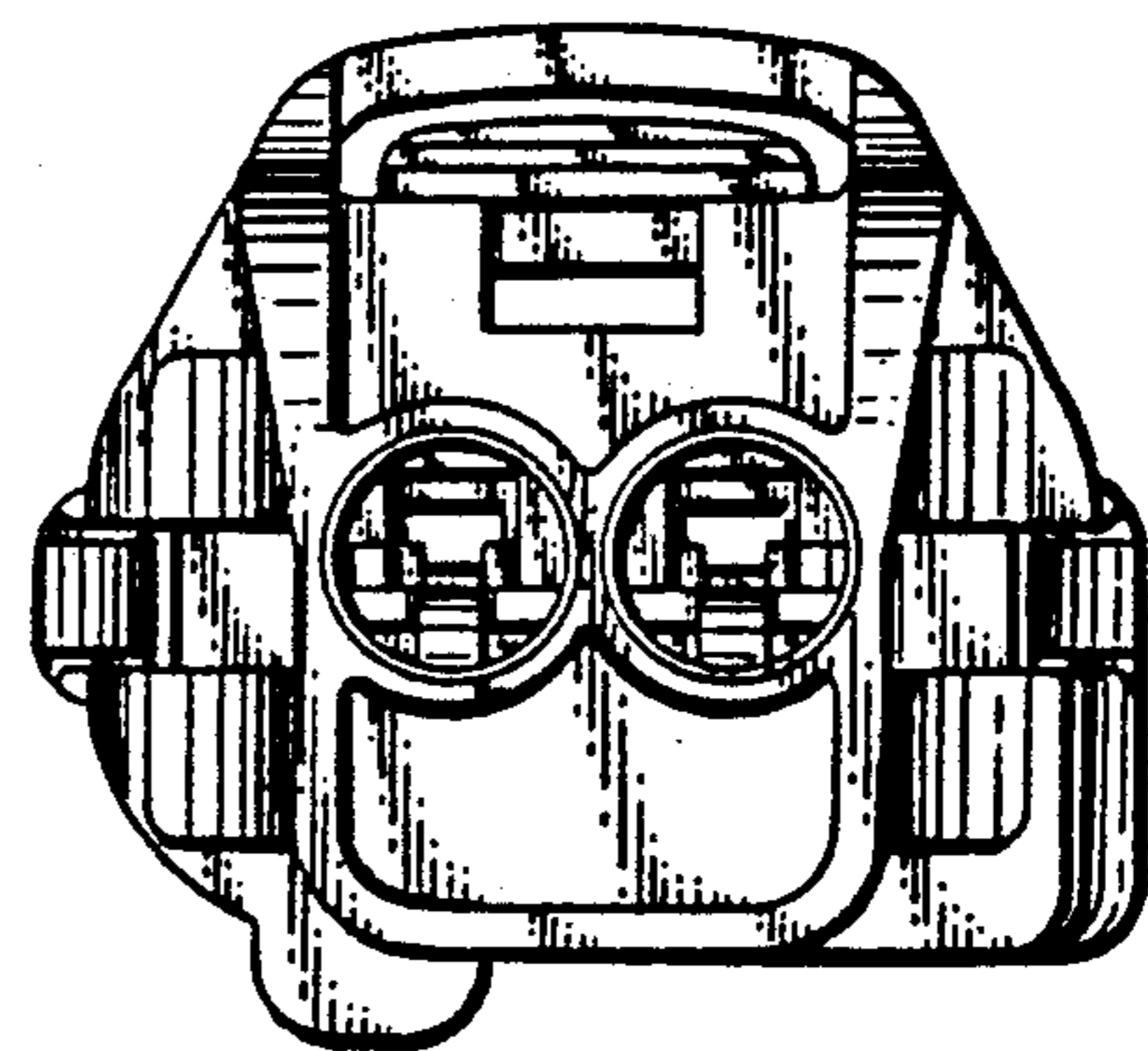


FIG. 5

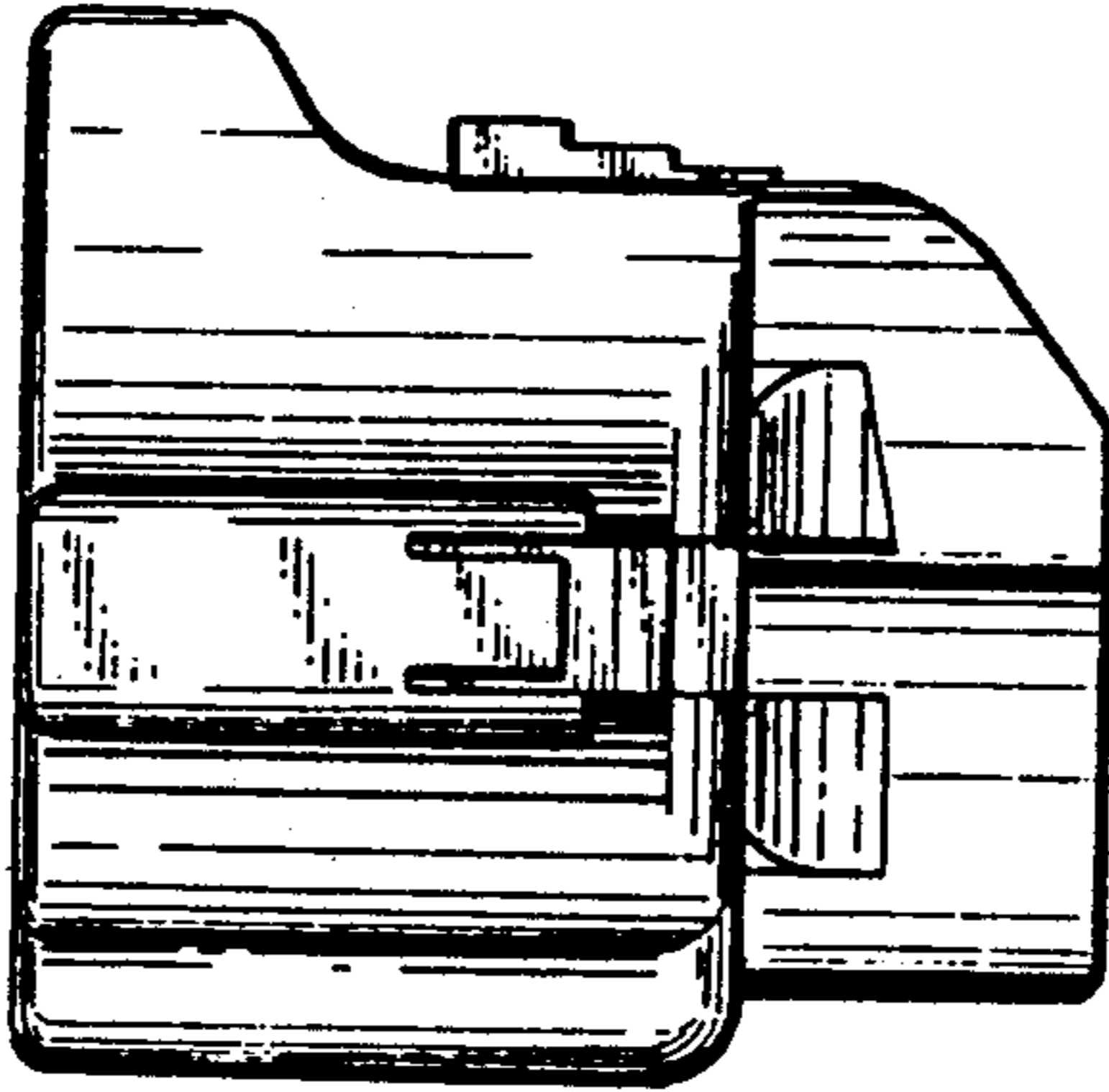


FIG. 6

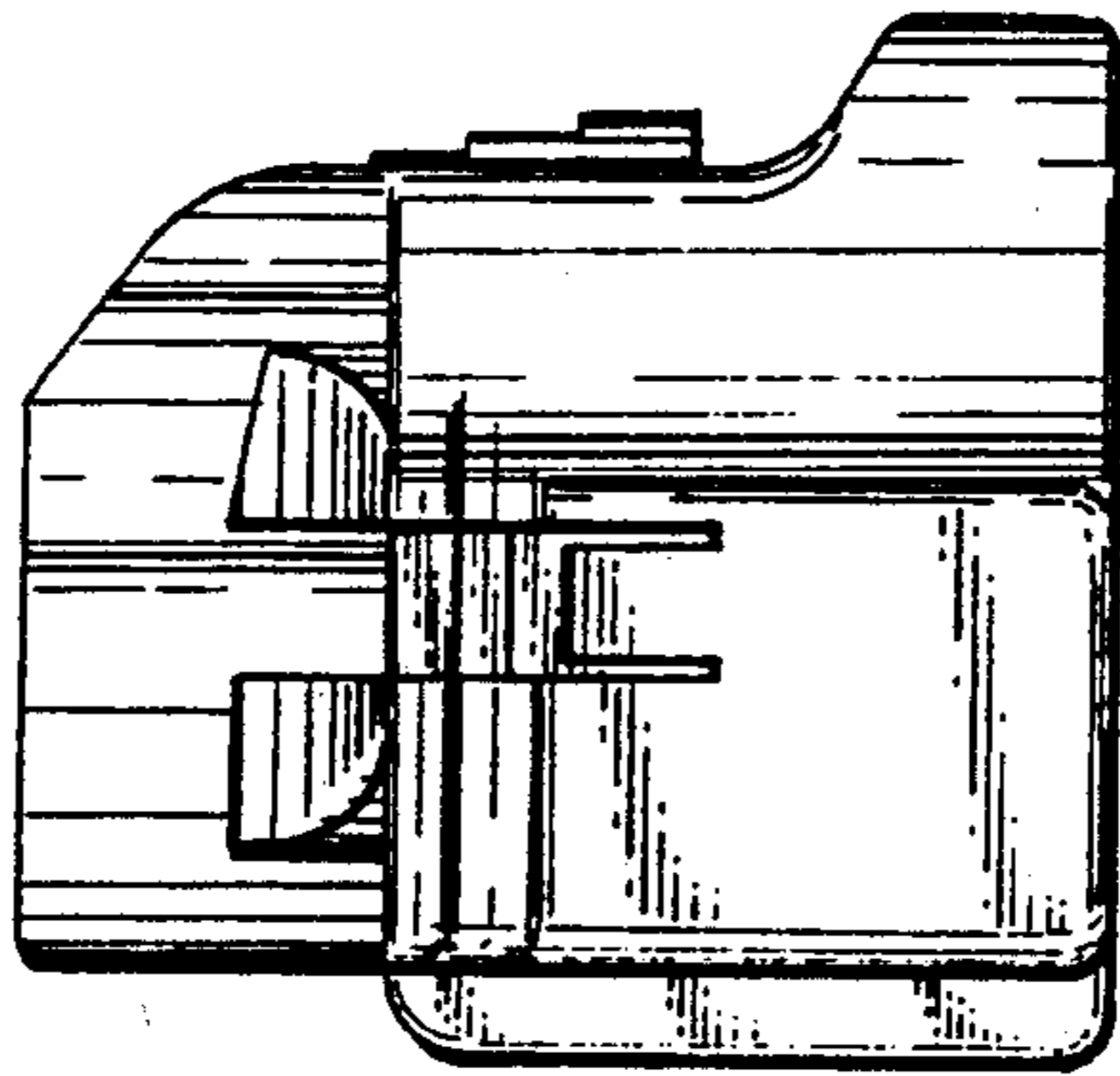
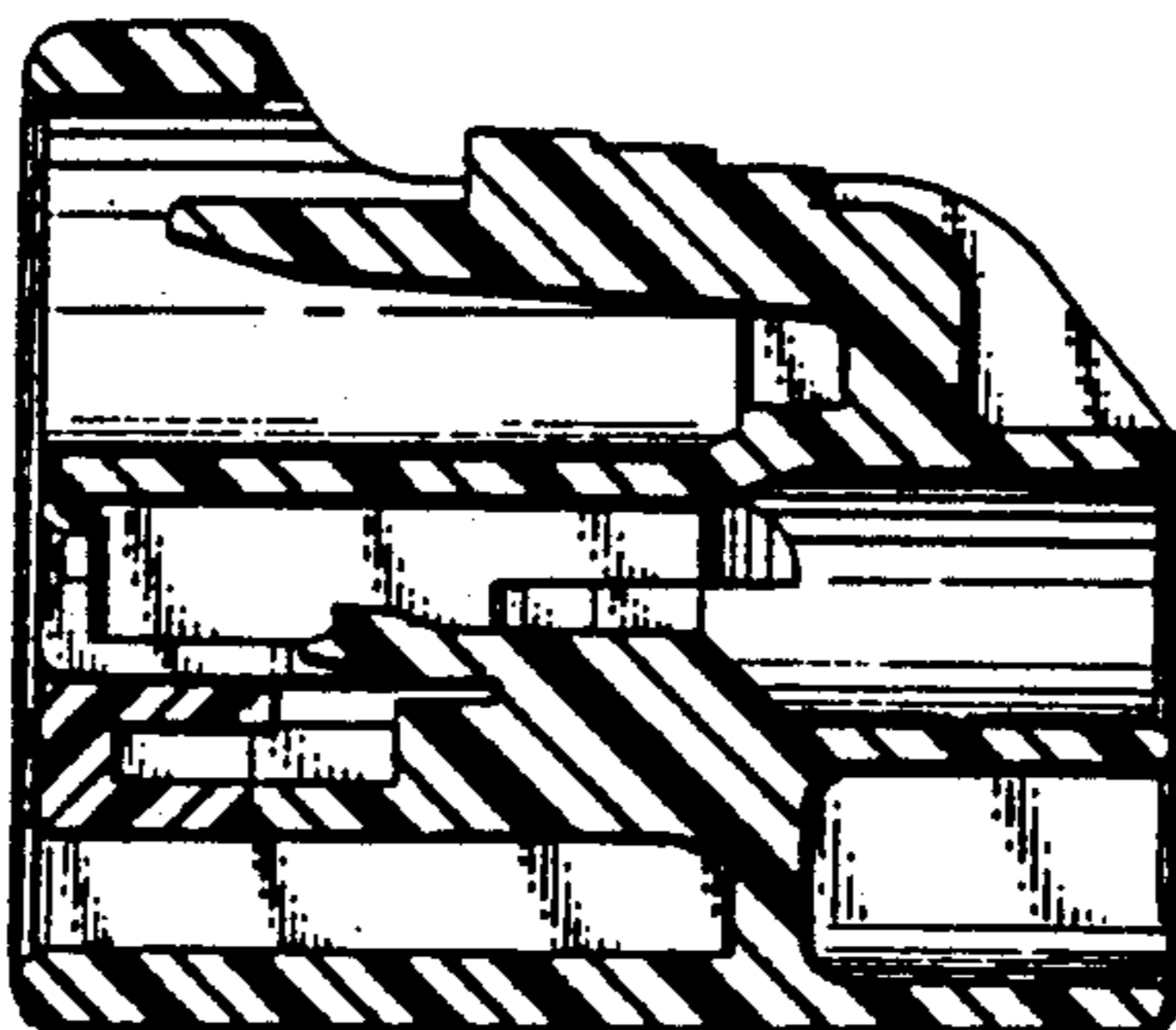


FIG. 7



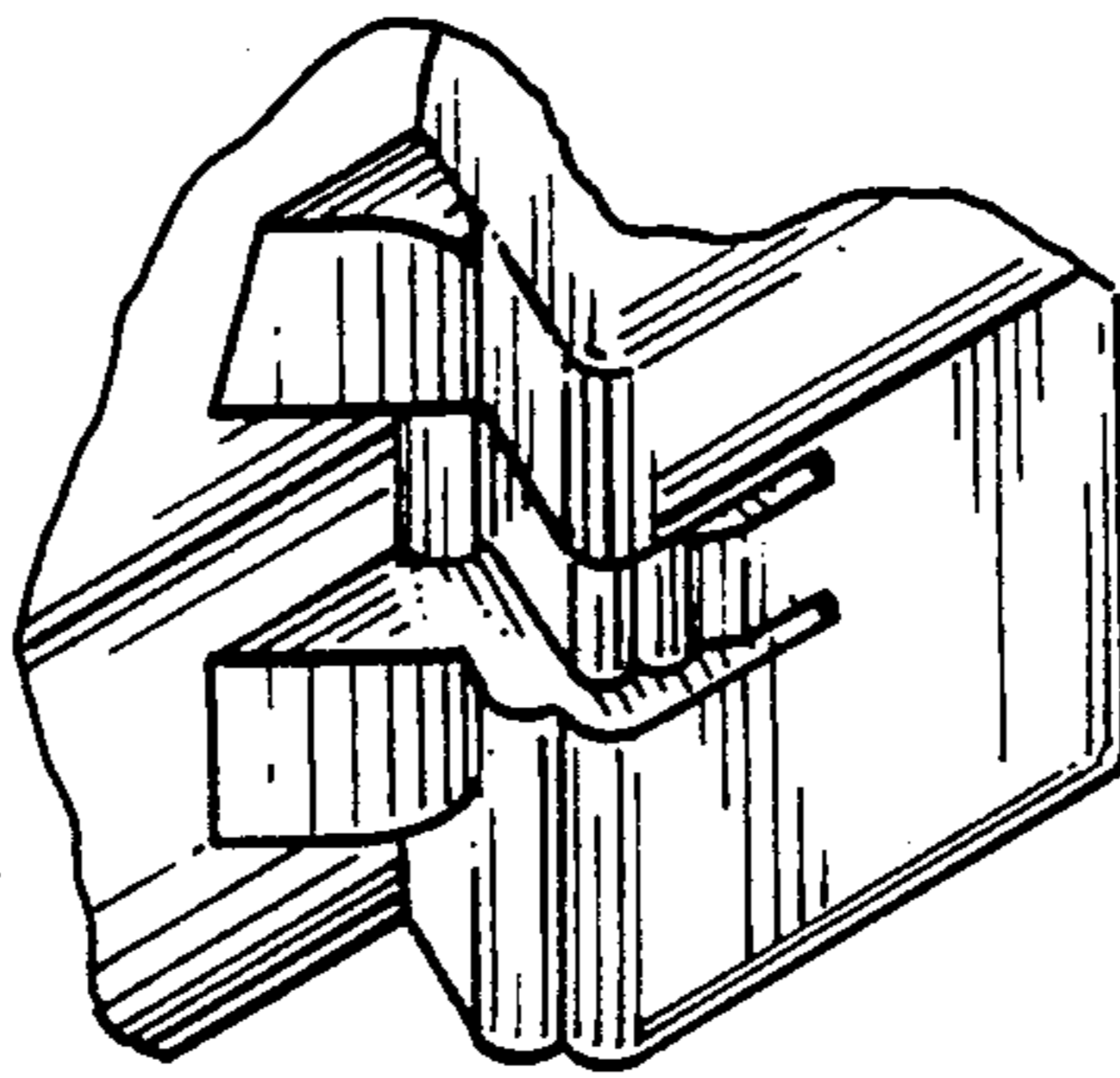


FIG. 8