



US00D325719S

United States Patent [19]

[11] Patent Number: **Des. 325,719**

Langlais

[45] Date of Patent: **** Apr. 28, 1992**

[54] **EXTENDABLE VEHICLE SUN VISOR**

4,792,176 12/1988 Karford 296/97.6

[76] Inventor: **David J. Langlais, 1224 34th Ave. N.,
St. Cloud, Minn. 56301**

Primary Examiner—James M. Gandy
Attorney, Agent, or Firm—Leon Gilden

[**] Term: **14 Years**

[57] **CLAIM**

[21] Appl. No.: **501,187**

The ornamental design for an extendable vehicle sun visor, as shown.

[22] Filed: **Mar. 29, 1990**

DESCRIPTION

[52] U.S. Cl. **D12/191**

FIG. 1 is a front elevational view of the extendable vehicle sun visor showing my new design;

[58] Field of Search **D12/191; 296/97.1, 97.2,**

FIG. 2 is a rear elevational view thereof;

296/97.6, 97.7, 97.8, 97.9, 97.12

FIG. 3 is a left side elevational view thereof;

FIG. 4 is a right side elevational view thereof;

[56] **References Cited**

U.S. PATENT DOCUMENTS

D. 314,937 2/1991 Adam D12/191

FIG. 5 is a top plan view thereof; and,

FIG. 6 is a bottom plan view thereof.

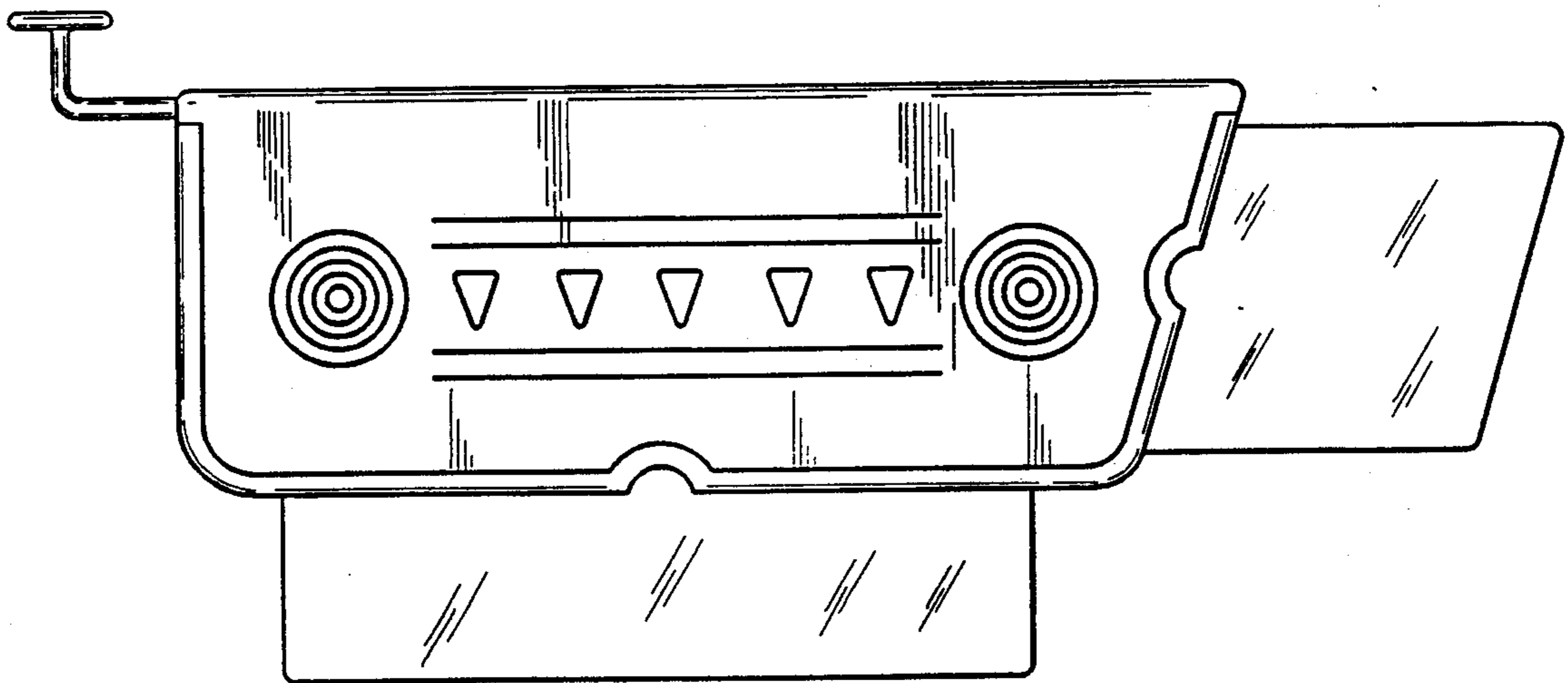


FIG. 1

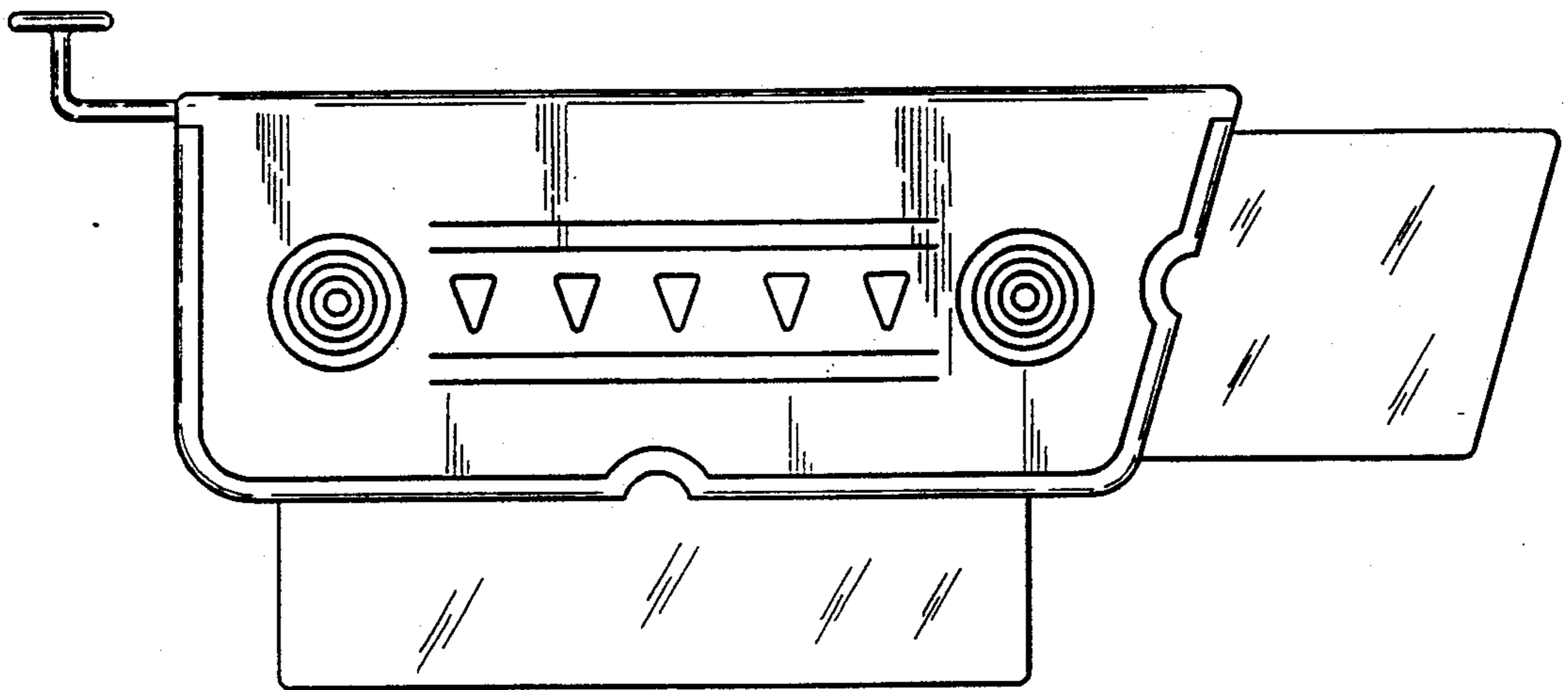


FIG. 2

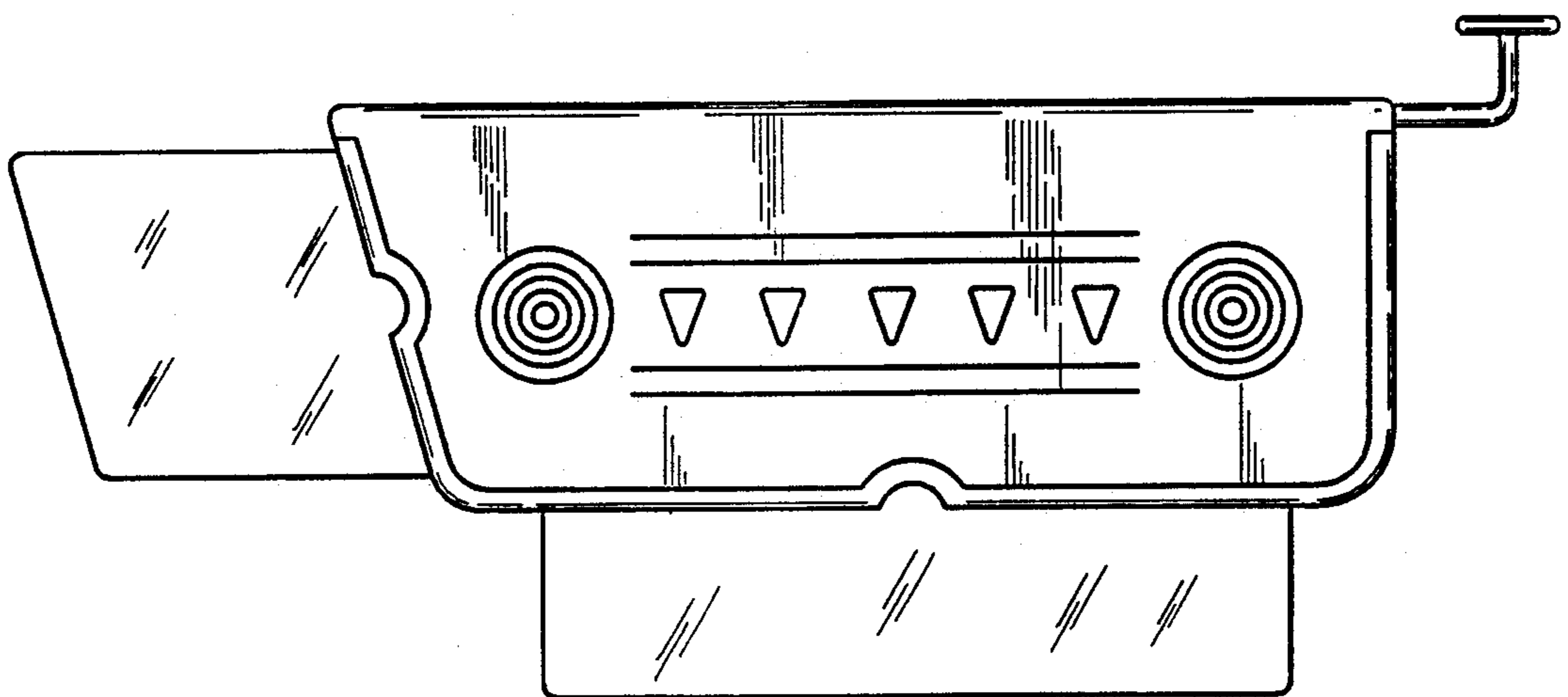


FIG. 3



FIG. 4

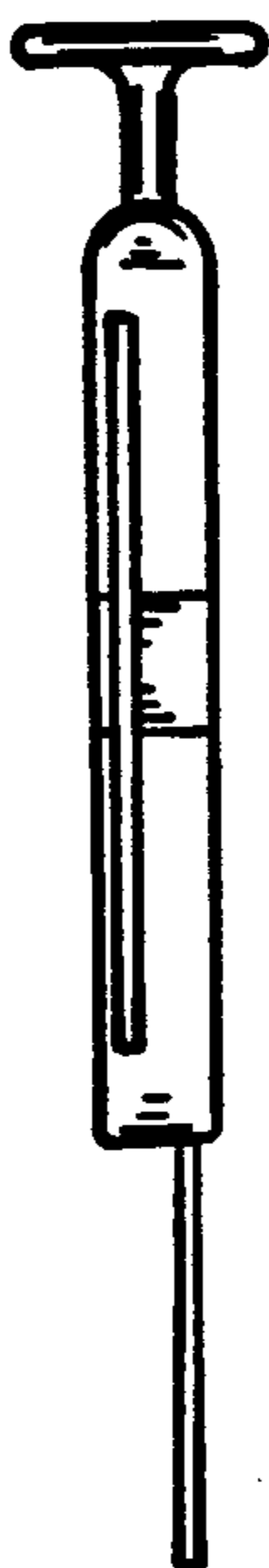


FIG. 5



FIG. 6

