



US00D325696S

United States Patent [19]

Kurihara et al.

[11] Patent Number: **Des. 325,696**

[45] Date of Patent: **** Apr. 28, 1992**

[54] **PANEL FASTENER OR THE LIKE**

[75] Inventors: **Kazumasa Kurihara; Seiji Takahashi,**
both of Yokohama, Japan

[73] Assignee: **Nifco Inc.,** Yokohama, Japan

[**] Term: **14 Years**

[21] Appl. No.: **604,439**

[22] Filed: **Oct. 29, 1990**

Related U.S. Application Data

[63] Continuation of Ser. No. 158,153, Feb. 19, 1988, abandoned.

[30] Foreign Application Priority Data

Aug. 27, 1987 [JP]	Japan	62-34618
[52] U.S. Cl.		D8/385
[58] Field of Search		D8/382, 385, 386; 411/55, 57, 60, 510, 500, 501

[56] References Cited

U.S. PATENT DOCUMENTS

D. 293,882	1/1988	Takahashi	D8/386
D. 298,736	11/1988	Shiraishi		
D. 298,801	12/1988	Satoh		
3,044,340	7/1962	Luhm	411/60
4,478,545	10/1984	Mizusawa et al.	411/57
4,840,523	6/1989	Oshida	411/60

Primary Examiner—B. J. Bullock
Attorney, Agent, or Firm—Oblon, Spivak, McClelland,
Maier & Neustadt

[57] CLAIM

The ornamental design for a panel fastener or the like, as shown and described.

DESCRIPTION

FIG. 1 is a top and front perspective view of a panel fastener or the like, showing our new design; FIG. 2 is a front elevational view thereof; FIG. 3 is a right side elevational view thereof; FIG. 4 is a top plan view thereof; FIG. 5 is a bottom plan view thereof; FIG. 6 is a cross-sectional view taken in the direction of the arrows on line VI—VI of FIG. 4; and, FIG. 7 is a cross-sectional view similar to FIG. 6 but in the position of use.

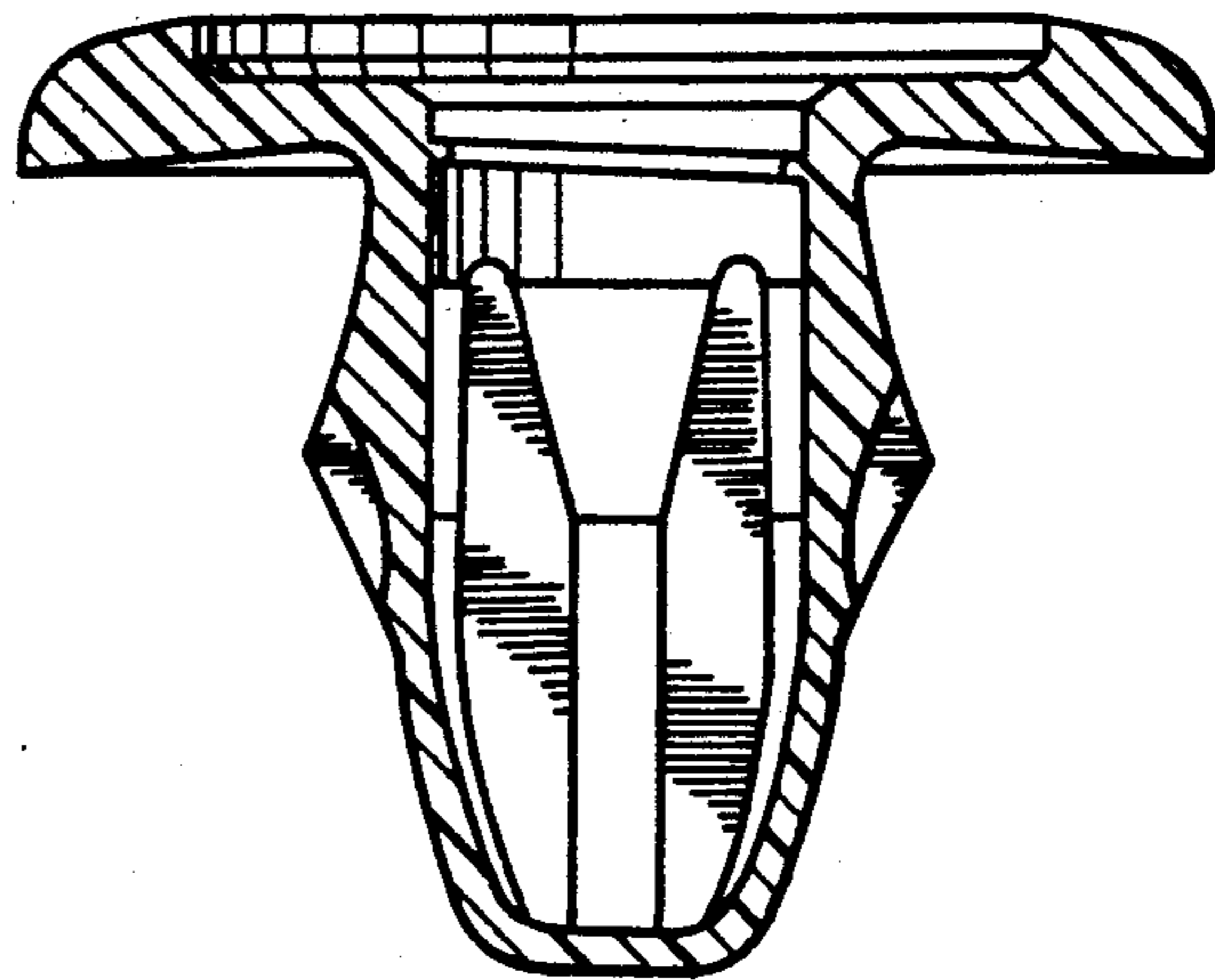
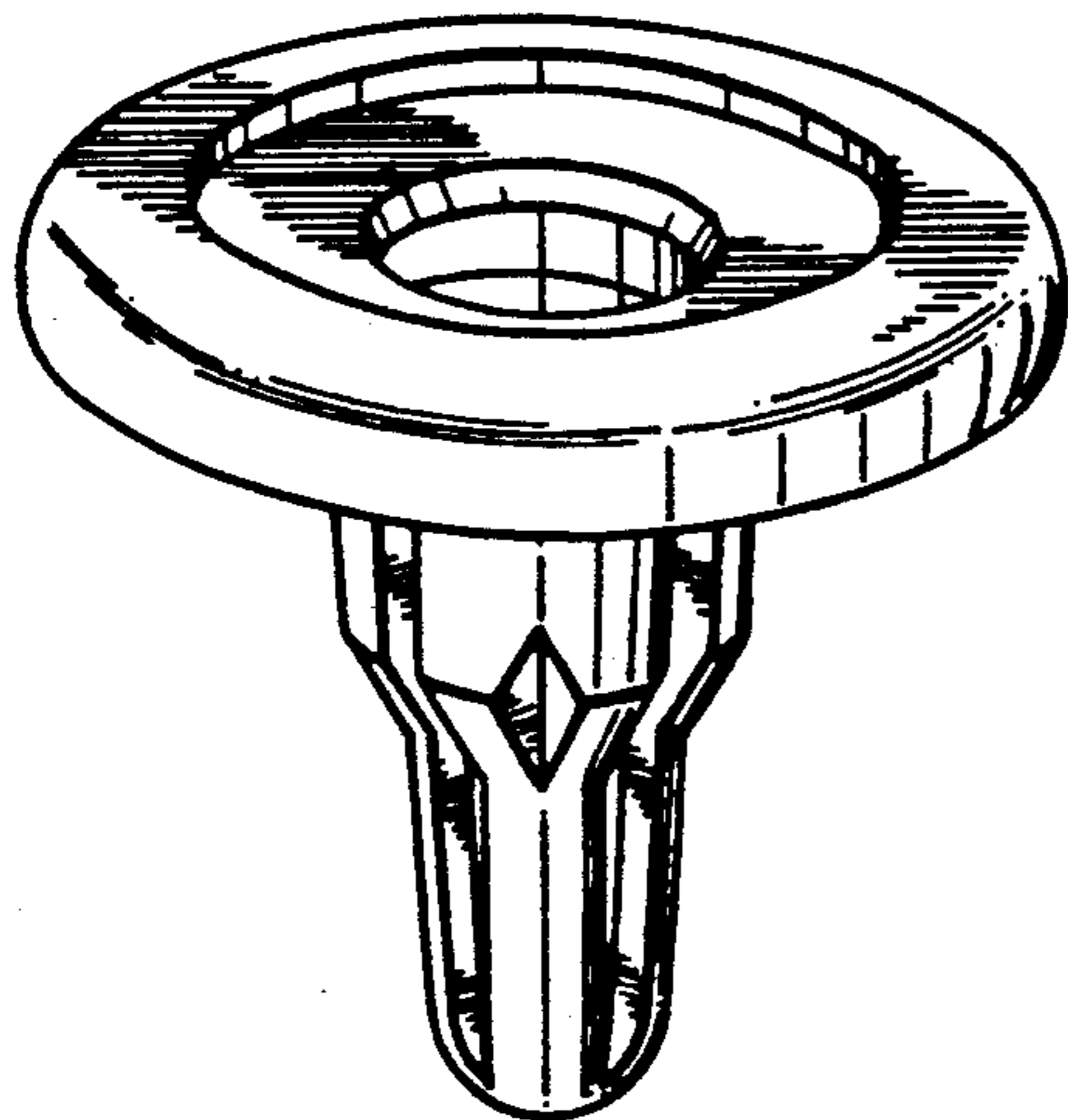


FIG. 1

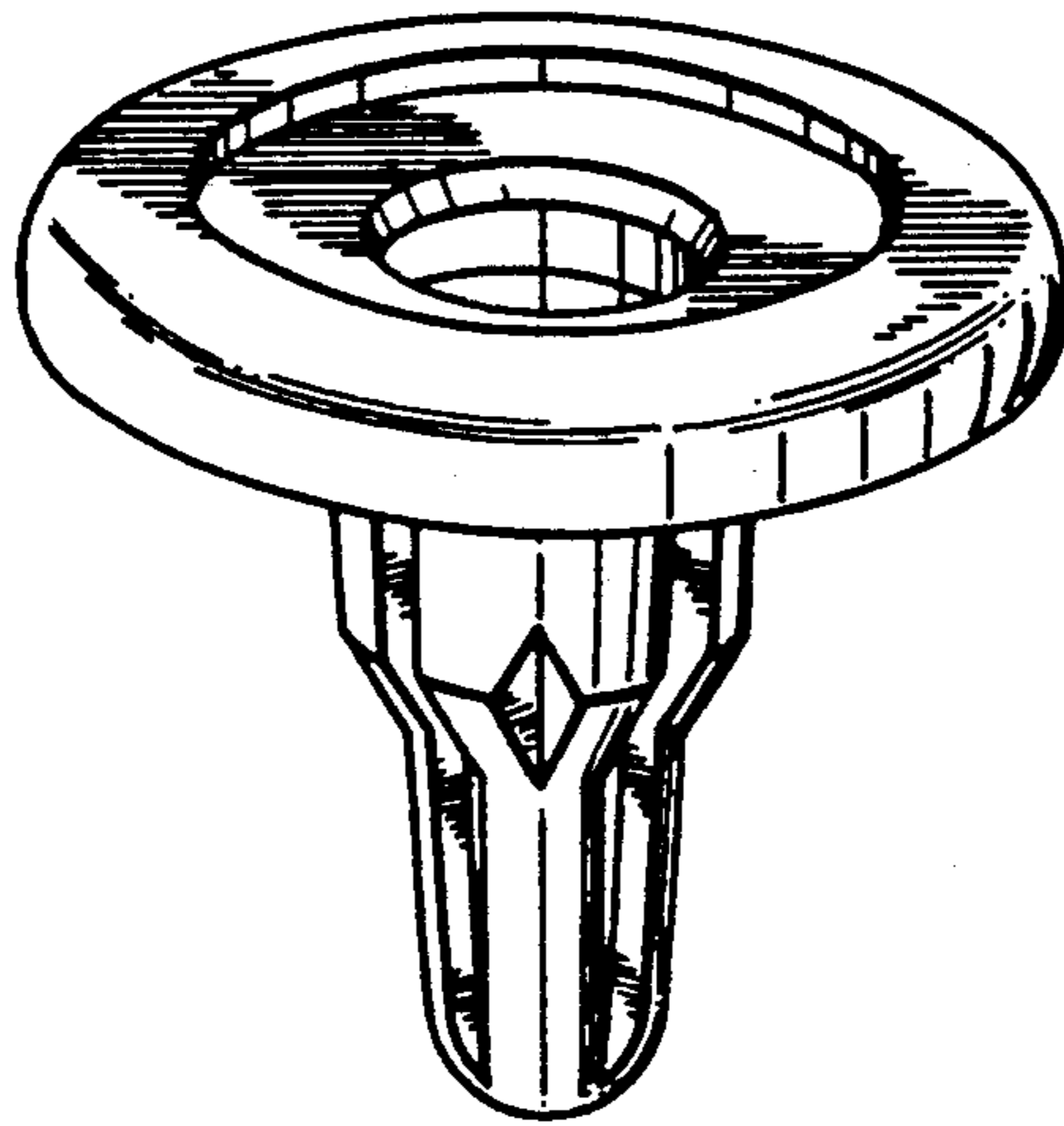


FIG. 2

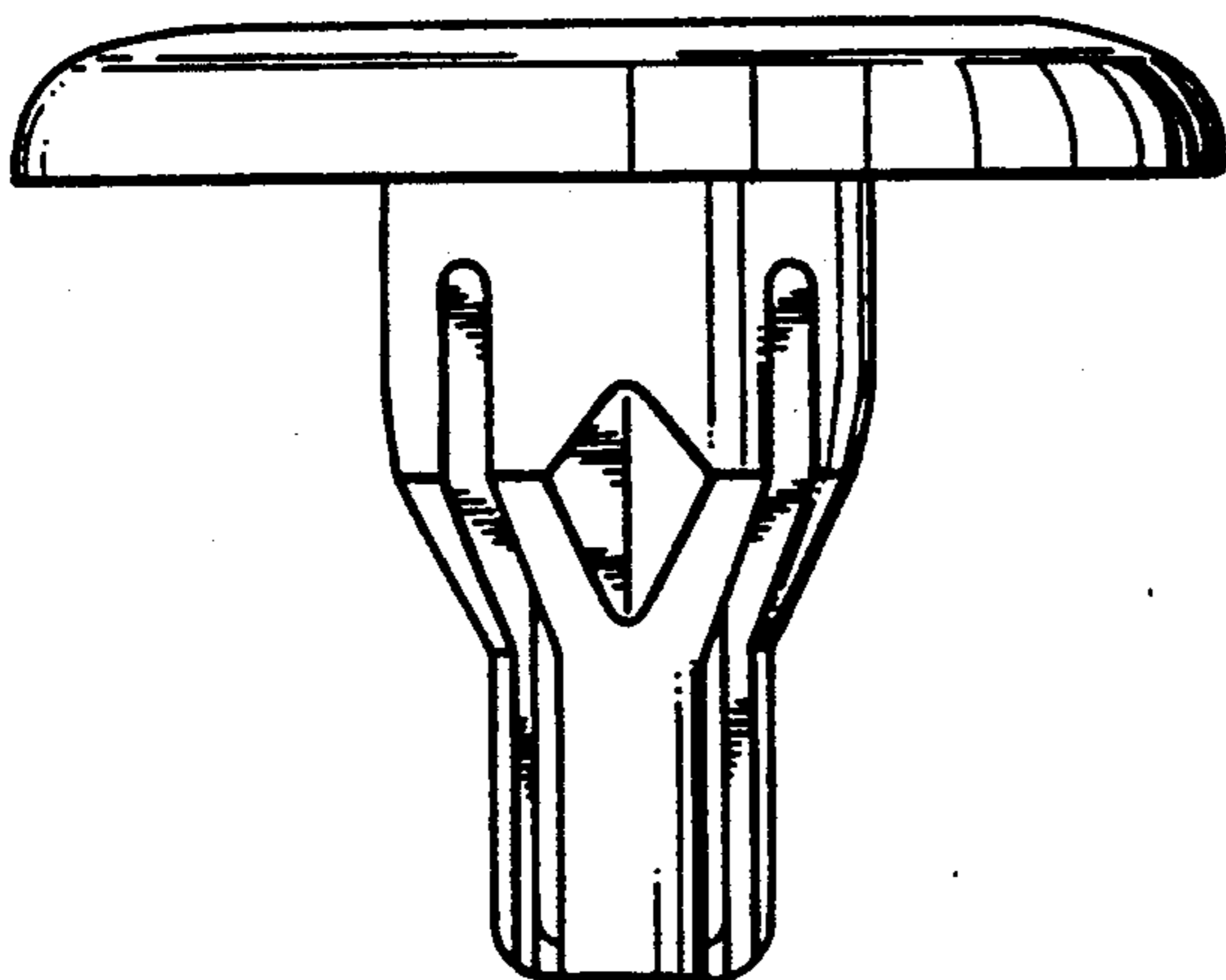


FIG. 3

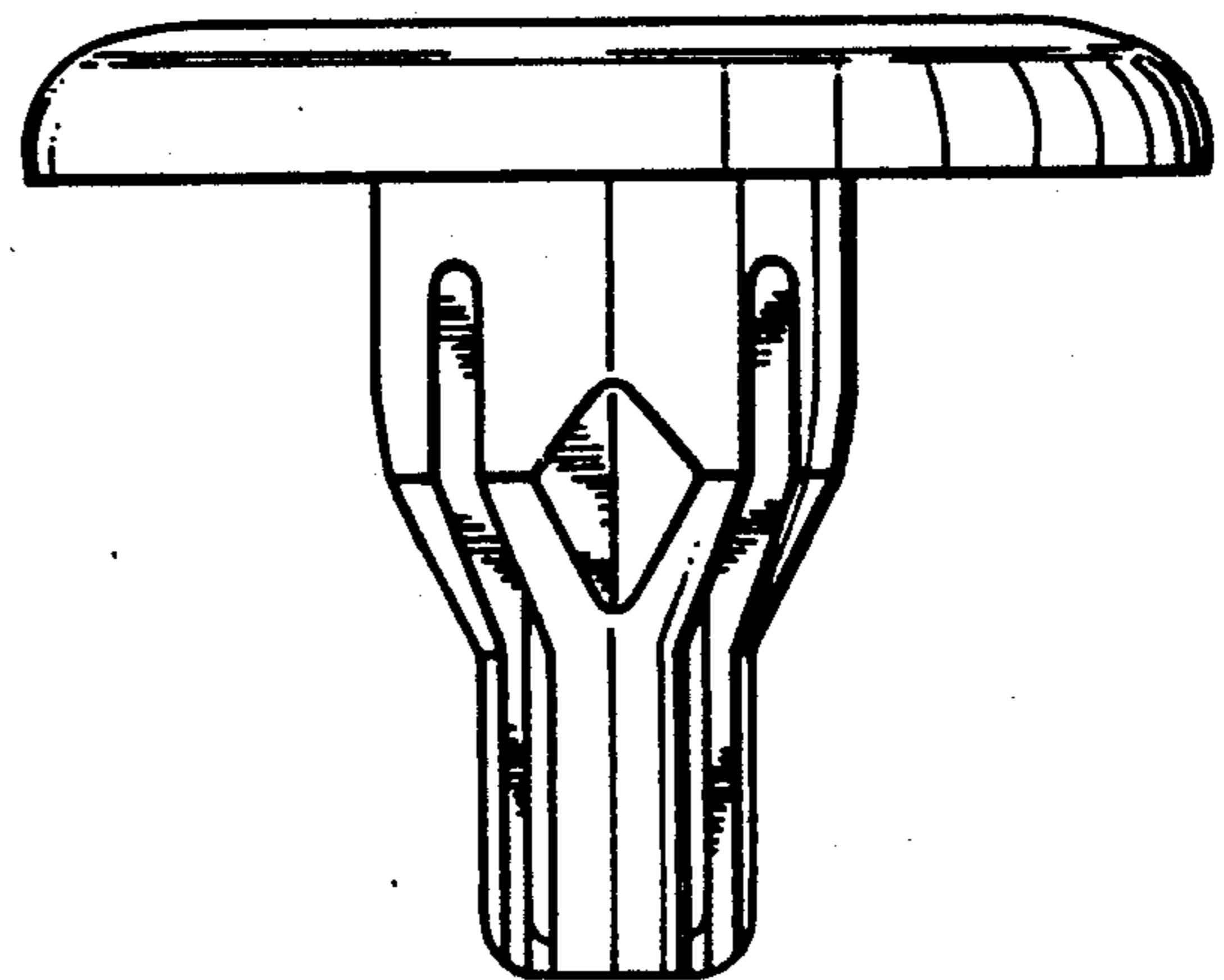


FIG. 4

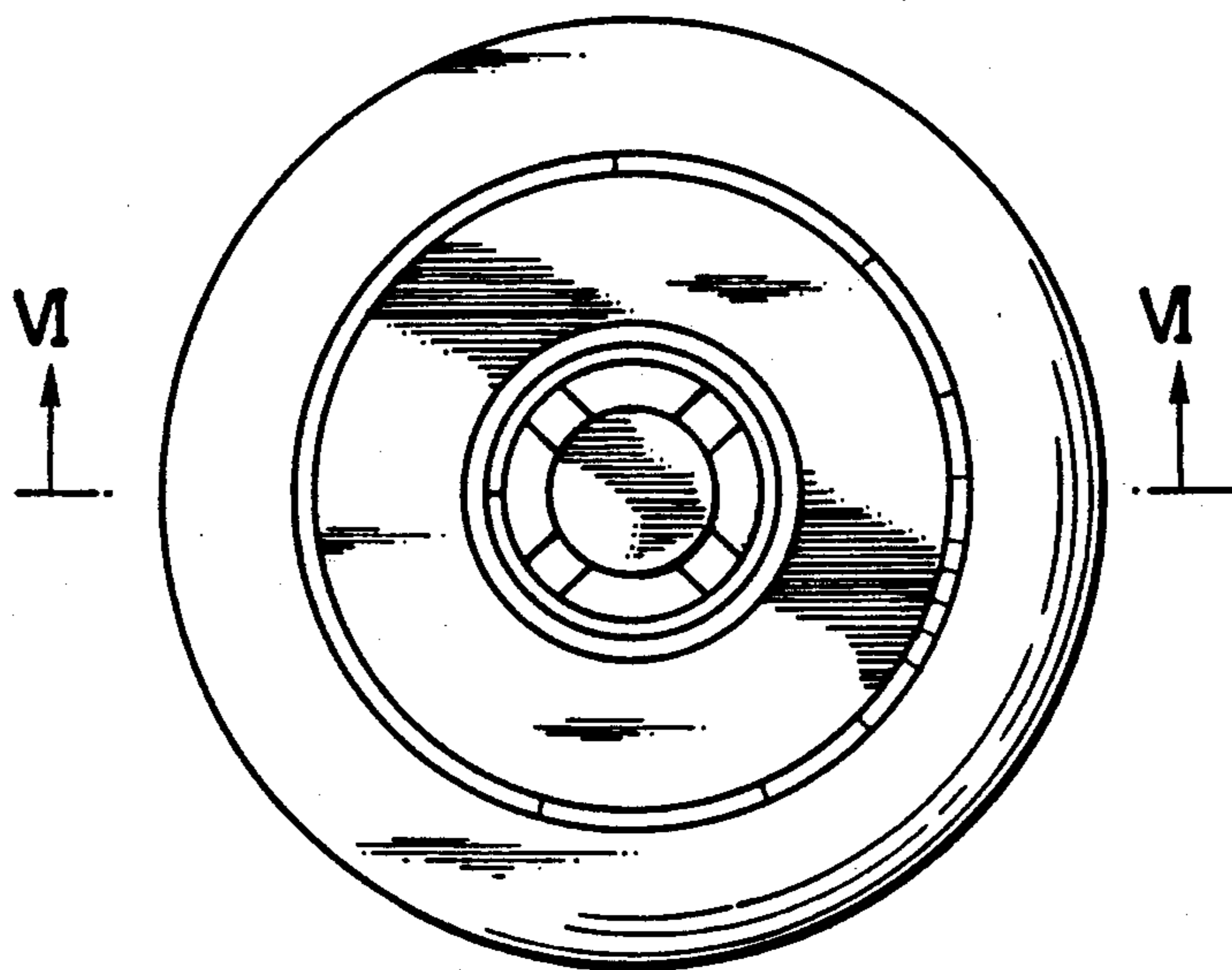


FIG. 5

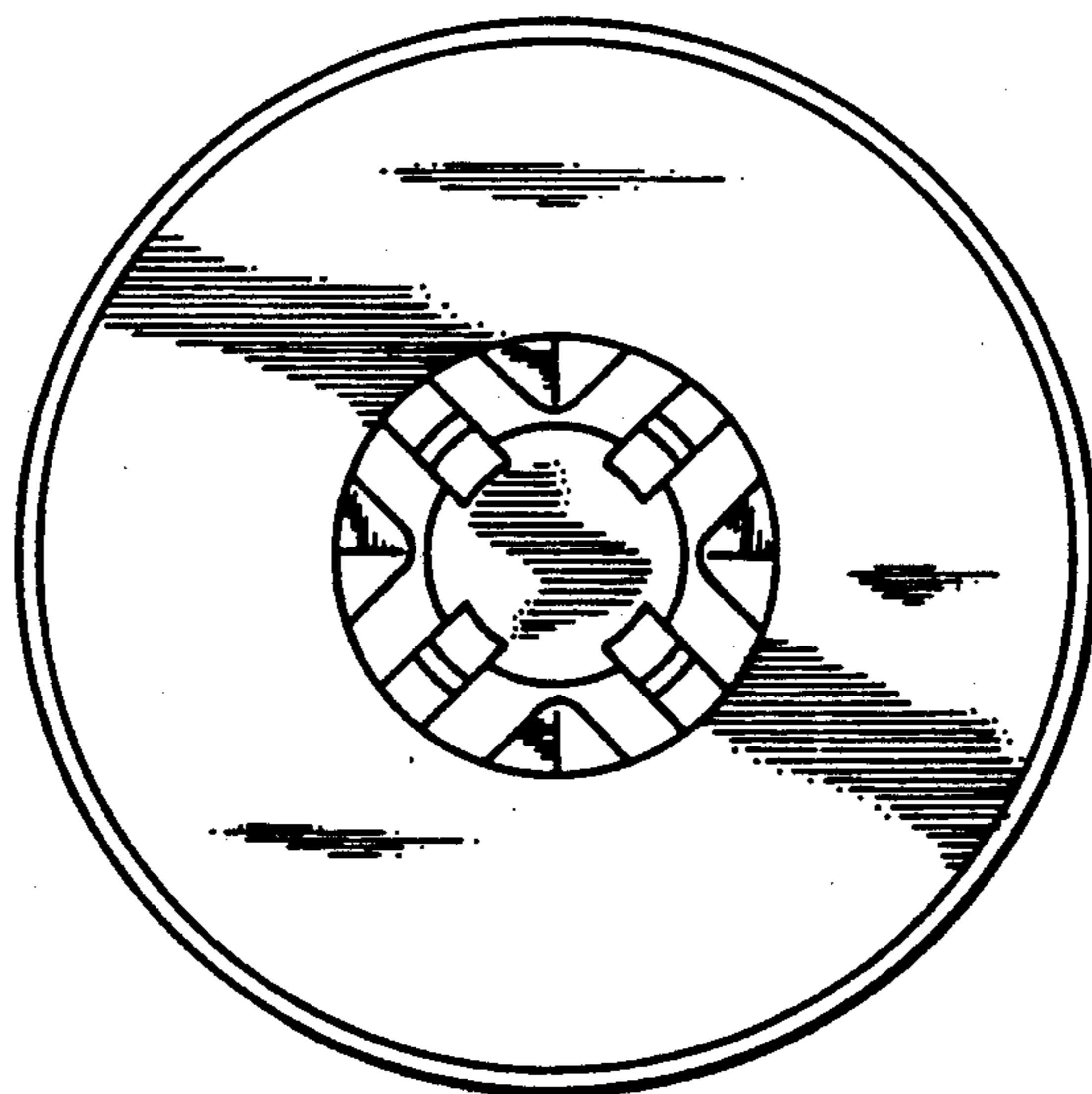


FIG. 6

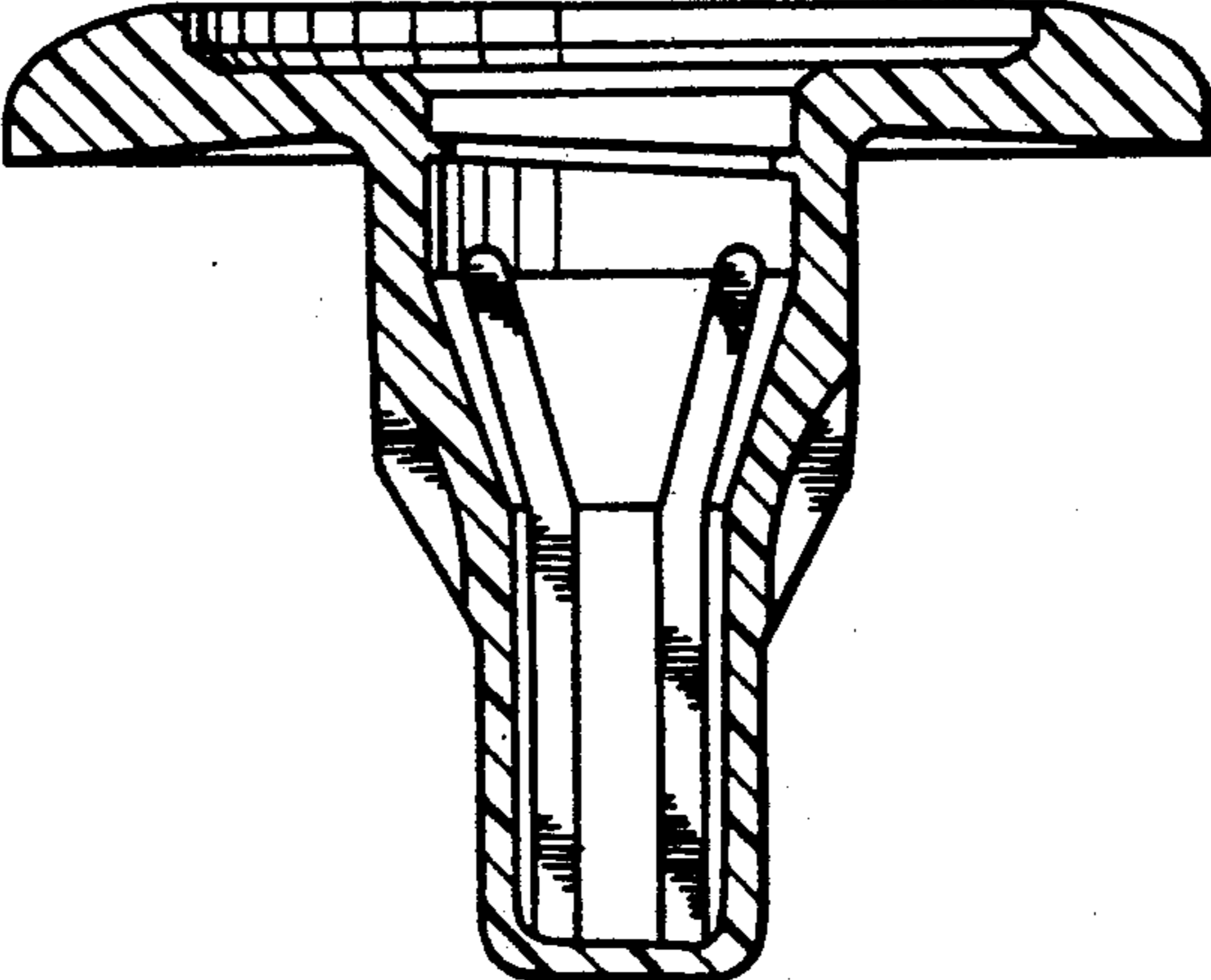


FIG. 7

